



STOP

DO NOT RETURN TO STORE!

CALL US FIRST!

CUSTOMER HOTLINE
1-800-445-1805
or 1-308-237-2181
FOR QUESTIONS OR
SERVICE INFORMATION

ARRÊT

NE PAS RETOURNER AU MAGASIN!

APPELEZ-NOUS D'ABORD!

ASSISTANCE TELEPHONIQUE
A LA CLIENTELE
1-800-445-1805
ou 1-308-237-2181
POUR L'INFORMATION DE
QUESTIONS OU SERVICE

ALTO

NO LO DEVUELVA A LA TIENDA!

¡PRIMERO LLÁMENOS!

LÍNEA DIRECTA DE ATENCIÓN
AL CLIENTE
1-800-445-1805
o 1-308-237-2181
PARA la INFORMACION de
PREGUNTAS O SERVICIO



CAUTION

IMPORTANT - Please make certain that everyone who uses the Coleman® Powermate® Pressure Washer thoroughly reads and understands these instructions prior to operation.



ATTENTION

IMPORTANT - Veiller à ce que toute personne amenée à utiliser cet appareil de Coleman® Powermate® lise soigneusement ces instructions et les comprenne avant de procéder à son utilisation.



PRECAUCIÓN

IMPORTANTE - Favor de asegurarse de que toda persona que use el Lavador de presión Coleman® Powermate® lea y entienda todas las instrucciones antes de la operación.

TABLE OF CONTENTS

INTRODUCTION	3	Starting the Engine	7
CUSTOMER SERVICE	3	CHEMICAL INJECTION	7
SAFETY	3	CLEANING TECHNIQUES	8
Safety Symbols	3	Application of Soap or Degreaser	8
General Safety Precautions	4	Application of Wax	8
SAFETY FEATURES	5	END OF OPERATION	8
Thermal Relief Valve	5	MAINTENANCE	8
Safety Lock Off Latch	5	Connections	8
Low Oil Shutdown	5	Nozzle	8
Spark Arresting Muffler	5	Water Screen	8
SPECIFICATIONS	5	Engine Maintenance	8
SPRAY NOZZLE SELECTION	5	STORAGE	9
BEFORE OPERATION	6	Pump Storage	9
Pre-Start preparation	6	Engine Storage	9
Hose and Gun Assembly	6	WARRANTY	9
Lubrication	6	TROUBLESHOOTING	10
Fuel	6	PERIODIC MAINTENANCE	11
OPERATING CONNECTIONS	7	ENGINE MAINTENANCE	11
High Pressure Hose	7	ENGINE TROUBLESHOOTING	12
Water Connection	7	ENGINE SPECIFICATIONS	12
OPERATING INSTRUCTIONS	7	CALIFORNIA EMISSION CONTROL WARRANTY	13
Start-up Procedure	7	PARTS LIST AND PARTS DRAWING	38-42

TABLE DES MATIÈRES

INTRODUCTION	14	UTILISATION DE PRODUITS CHIMIQUES	18
SERVICE CLIENTELE	14	TECHNIQUE DE NETTOYAGE	19
SÉCURITÉ	14	Application de Savon ou de Dégraissant	19
Symboles utilisés	14	Application de Cire	19
Précautions Générales de Sécurité	15	APRES UTILISATION	19
MESURES DE SÉCURITÉ	16	ENTRETIEN DE L'APPAREIL	19
Soupape de surpression thermique	16	Raccords	19
Loquet de sécurité	16	Ajutage	19
Arrêt suite au bas niveau d'huile	16	Filtre à eau	19
Silencieux Pare-étincelles	16	Entretien du moteur	19
SPÉCIFICATIONS	16	RANGEMENT	20
CHOIX DE BUSE DE PULVÉRISATION	16	Rangement de la pompe	20
AVANT TOUTE UTILISATION	17	Rangement du moteur	20
Préparation précédant la mise en marche	17	DÉPANNAGE	21
Montage du tuyau et du pistolet	17	GARANTIE LIMITÉE	22
Lubrification du moteur	17	ENTRETIEN PÉRIODIQUE	23
Carburant	17	ENTRETIEN DU MOTEUR	23
RACCORDEMENTS	18	DÉPANNAGE DU MOTEUR	24
Tuyau haute pression	18	CARACTERISTIQUES DU MOTEUR	24
Raccordement d'eau	18	GARANTIE DE CONFORMITÉ AUX RÈGLEMENTS	24
UTILISATION	18	ANTIPOLLUTION DE LA CALIFORNIE	25
Procédure de lancement	18	LISTE DES PIÈCES ET SCHEMA DES PIÈCES	38-42
Mise en marche du moteur	18		

INDICE

INTRODUCTION	26	Encendido del motor	30
SERVICIO PARA LOS CLIENTES	26	INYECCION DE QUIMICOS	30
SEGURIDAD	26	TÉCNICAS DE LIMPIEZA	31
Símbolos de seguridad	26	Aplicación de jabón y desgrasador	31
Precauciones generales de seguridad	27	Aplicación de cera	31
CARACTERÍSTICAS DE SEGURIDAD	28	FIN DE LA APLICACIÓN	31
Válvula de descarga de calor	28	MANTENIMIENTO	31
Dispositivo de seguridad	28	Conexiones	31
Apagado por bajo nivel de aceite	28	Boquilla	31
Silenciador apagachispas	28	Rejilla de agua	31
ESPECIFICACIONES	28	Mantenimiento del motor	31
SELECCIÓN DE BOQUILLA DE PULVERIZACIÓN	28	ALMACENAMIENTO	32
ANTES DE LA OPERACIÓN	29	Almacenamiento de la bomba	32
Preparación inicial	29	Almacenamiento del motor	32
Ensamblado de manguera y pistola	29	RESOLUCION DE PROBLEMAS	33
Lubrificación del motor	29	GARANTIA LIMITADA	34
Combustible	29	MANTENIMIENTO PERIÓDICO	35
CONEXIONES DE OPERACIÓN	30	MANTENIMIENTO DEL MOTOR	35
Manguera de alta presión	30	DETECCION DE FALLOS DEL MOTOR	36
Conexion de agua	30	ESPECIFICACIONES DEL MOTOR	36
INSTRUCCIONES DE OPERACIÓN	30	GARANTÍA DEL CONTROL DE EMISIÓN DE CALIFORNIA	37
Procedimiento de arranque	30	LISTA DE PIEZAS Y DIAGRAMA DE PIEZAS	38-42

Congratulations on purchasing a Coleman® Powermate® Pressure Washer. Whether you are doing light cleaning at home or are needing power to do the tough jobs, Coleman® Powermate® pressure washers are built to give you the power you need. By following proper break-in procedures, using recommended set-up and operating procedures, and performing preventive maintenance as specified in this manual, your Coleman® Powermate® pressure washer will serve you for years to come.

Most important is the safety of you and those around you. Remember that while the Coleman® Powermate® pressure washer gives you the power you need to complete your job, safety rules should always be followed.

Thank you for selecting our product.

Powermate Corporation

CUSTOMER SERVICE

Call our toll free number
1-800-445-1805
8 a.m. to 5 p.m. C.S.T.
or www.powermate.com

to obtain warranty service information or order replacement parts or accessories.

Please have the following information available:

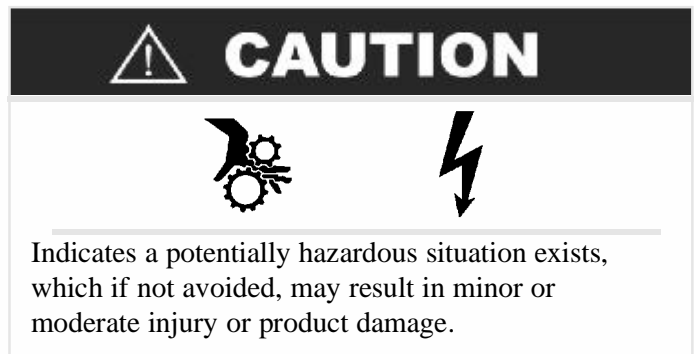
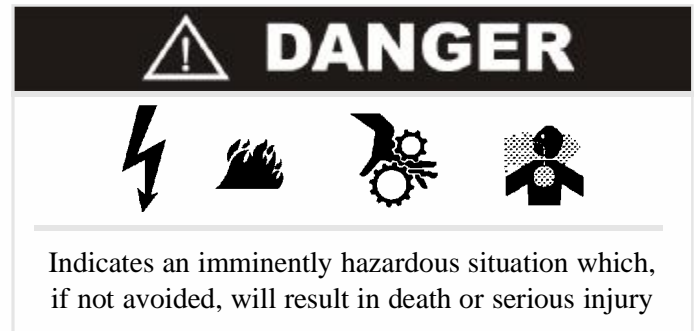
1. Model Number.
2. Serial Number.
3. Date and where purchased.
4. Replacement numbers if you are ordering parts.

Powermate Corporation
4970 Airport Road
P.O. Box 6001
Kearney, NE 68848
Attention: Warranty Service Department

www.powermate.com

Safety Symbols

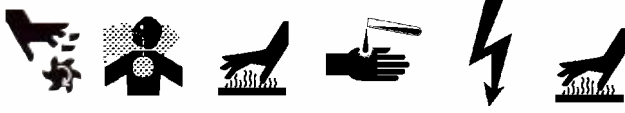
The following symbols are used throughout this manual. Follow listed instructions to ensure your safety.



NOTE: Indicates operation or maintenance information helpful to improve performance or operation.

The following Safety Precautions apply whenever using, storing or servicing Coleman® Powermate® Pressure Washers or their engines to reduce the possibility of personal injury. Overlooking or ignoring these precautions can lead to personal injury or product damage.

WARNING



- Read this manual carefully. Know your equipment. Consider applications, potential hazards and limitations for your unit.
- Know your equipment. Consider the applications, limitations, and the potential hazards specific to your unit.
- Store the Pressure washer in a well ventilated area with the fuel tank empty. Fuel should not be stored near the pressure washer.
- Never operate under these conditions:
 - a. A noticeable change in engine speed.
 - b. A noticeable loss of pressure.
 - c. The engine misfires.
 - d. Smoke or flames are present.
 - e. Enclosed compartment.
 - f. Excessive vibration.
 - g. Rain or inclement weather.
- Water spray must never be directed towards any electric wiring or directly towards the pressure washer.
- Do not allow the hose to come in contact with hot muffler.
- Equipment must be placed on a firm, supporting surface.
- Remove the spark plug or cable from the spark plug to prevent accidental starting, when not in use, or prior to detaching the high pressure hose.
- Keep the pressure washer clean and free of oil, mud and other foreign matter.
- Do not wear loose clothing , jewelry, or anything that may be caught in the engine.
- Never direct spray at people or pets.
- Never allow children to operate pressure washer at any time.
- Use both hands to control the wand.

WARNING



- Do not touch nozzle or water spray while operating.
- Wear safety goggles while operating.
- Only approved hoses and nozzles should be used.
- The trigger gun must not be jammed in position during operation.
- Never tie knots or kink the high pressure hose.
- All hose connections must be properly sealed.
- Prior to starting the pressure washer in cold weather, be sure ice has not formed in any part of the equipment.
- Use only recommended chemicals.
- Outdoors use only.
- Place the pressure washer away from cleaning site during operation.
- To prevent accidental discharge, the spray gun should be secured by locking trigger when not in use.
- Do not run the pressure washer for more than five minutes without depressing the trigger or damage to the pump may result.
- Check the fuel system periodically for leaks or signs of deterioration such as chafed or spongy hose, loose or missing clamps, or damaged tank or cap. All defects should be corrected before operation.
- Do not touch hot muffler.
- Service, operate and refuel under the following conditions.
 - a. Good ventilation.
 - b. Refuel the pressure washer in a well lighted area.
 - c. Avoid fuel spills and never refuel while the pressure washer is running.
 - d. Avoid an ignition source when refueling.
 - e. Use lead free fuel with a minimum of 85 octane.
- Do not smoke near the pressure washer.
- Do not use damaged high-pressure hoses.

SAFETY FEATURES

THERMAL RELIEF VALVE

A thermal relief valve is provided to protect the pump from overheating if the spray gun is closed for an extended length of time or the nozzle becomes plugged. However, it is intended to be used as a backup system and every effort should be made to not permit the pump to heat up.

We recommend turning the pressure washer off if it will not be used for more than five minutes. This saves wear on the unit, reduces fuel consumption and extends the life of the pump by avoiding heat.

SAFETY LOCK OFF LATCH

To prevent accidental discharge of high pressure water, the safety latch on the trigger should be engaged whenever the pressure washer is not in use. (Refer to Operating Instructions.)

LOW-OIL SHUTDOWN

The unit is equipped with a low oil sensor. If the engine oil level becomes lower than required, the pressure washer will automatically shut off. This protects your pressure washer engine from operating without proper lubrication.

If the pressure washer engine shuts off and the oil level is according to specification, check to see if the pressure washer is setting at an angle that forces oil to shift. Place on an even surface to correct this. If the engine fails to start, the oil level may not be sufficient to deactivate low oil level switch. Be sure the sump is completely full of oil.




The pump will overheat and may be damaged, or cause damage if allowed to circulate more than five minutes.

SPARK ARRESTING MUFFLER

YOUR PRODUCT MAY NOT BE EQUIPPED WITH A SPARK ARRESTING MUFFLER. If the product will be used around flammable materials, such as agricultural crops, forests, brush, grass, or other similar items, then an approved spark arrester should be installed and is legally required in the State of California. The California statutes requiring a spark arrester are Sections 13005(b), 4442 and 4443. Spark Arresters are also required on some U.S. Forest Service land and may also be legally required under other statutes and ordinances. An approved spark arrester is available from your Coleman® Powermate® product dealer, or may be ordered from Powermate Corporation, P.O. Box 6001, Kearney, Nebraska 68848. 1-800-445-1805.

SPECIFICATIONS

Maximum Inlet Pressure	Up to 90 PSIG
RPM	3600 RPM
Temperature of Pumped Fluids	Up to 80°F
Inlet Ports	3/8" BSP
Discharge Ports	3/8" BSP
Weight	9 lbs.
Crankcase oil Capacity	4.7 fl. oz.
Pump oil	SAE 30W Nondetergent

Consult the factory for special requirements that must be met if the pump is to operate beyond one or more of the limits specified above.

SPRAY NOZZLE SELECTION

Following is information concerning the four nozzles provided with your pressure washer.

NOTE: The force of the spray on the surface you are cleaning increases as you move closer to the surface.

0° High Pressure (Red): The water stream discharged is very aggressive. Use with extreme caution to prevent damage to the surface being cleaned or injury to persons or animals.

15° High Pressure (Yellow): This is the nozzle used for most cleaning applications. It provides wide coverage and a powerful water stream.

40° High Pressure (White): This nozzle is used for cleaning with a wider coverage over a larger area with a powerful water stream.

65° Low Pressure (Black): Provides low pressure spray and a wide coverage. Used primarily when operating the chemical injector to apply chemicals.

BEFORE OPERATION

NOTE: The engine and pump on your Coleman® Powermate® Pressure Washer will often have improved performance after a break-in period of several hours.

PRE-START PREPARATION

Before starting the pressure washer, check for loose or missing parts and for any damage which may have occurred during shipment.

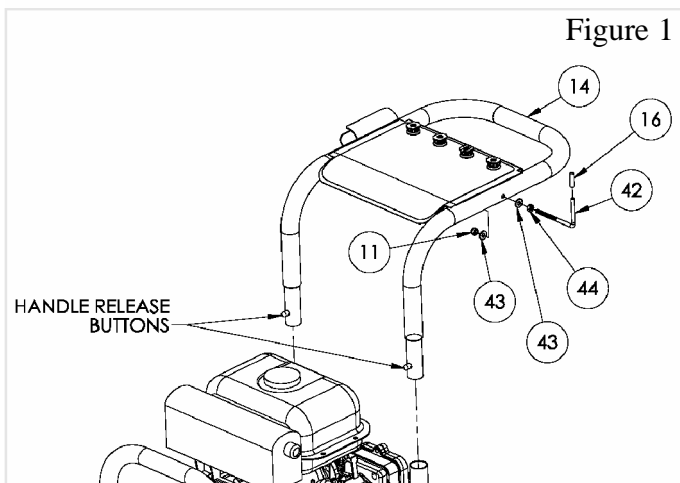
HOSE AND GUN ASSEMBLY

NOTE: Align threaded connections carefully to prevent damaging threads during assembly. Tighten connections securely to prevent leaks during operation.

Attach the hose to the inlet of the trigger gun.

Handle Installation

Install handle and hose hook as shown in Figure 1.



LUBRICATION

DO NOT attempt to start the pressure washer engine without filling the engine crank case with the proper amount and type of oil (See pages 11 and 12 and Figure 2). Your pressure washer engine has been shipped from the factory without oil in the engine crankcase. Operating the unit without oil will ruin the engine.

The pump has been shipped with oil. Before operating the pressure washer check the oil level of the pump to make sure the oil level is to pump manufacturer's required level. (See Figure 2). Use oil that is recommended from the pump manufacturer. **DO NOT OVERFILL!**

If the pump is not equipped with a dipstick or side glass window check oil leaks from the pump. Pump oil is shipped in the pump from factory. Follow pump manufacturer's maintenance schedule for proper care.

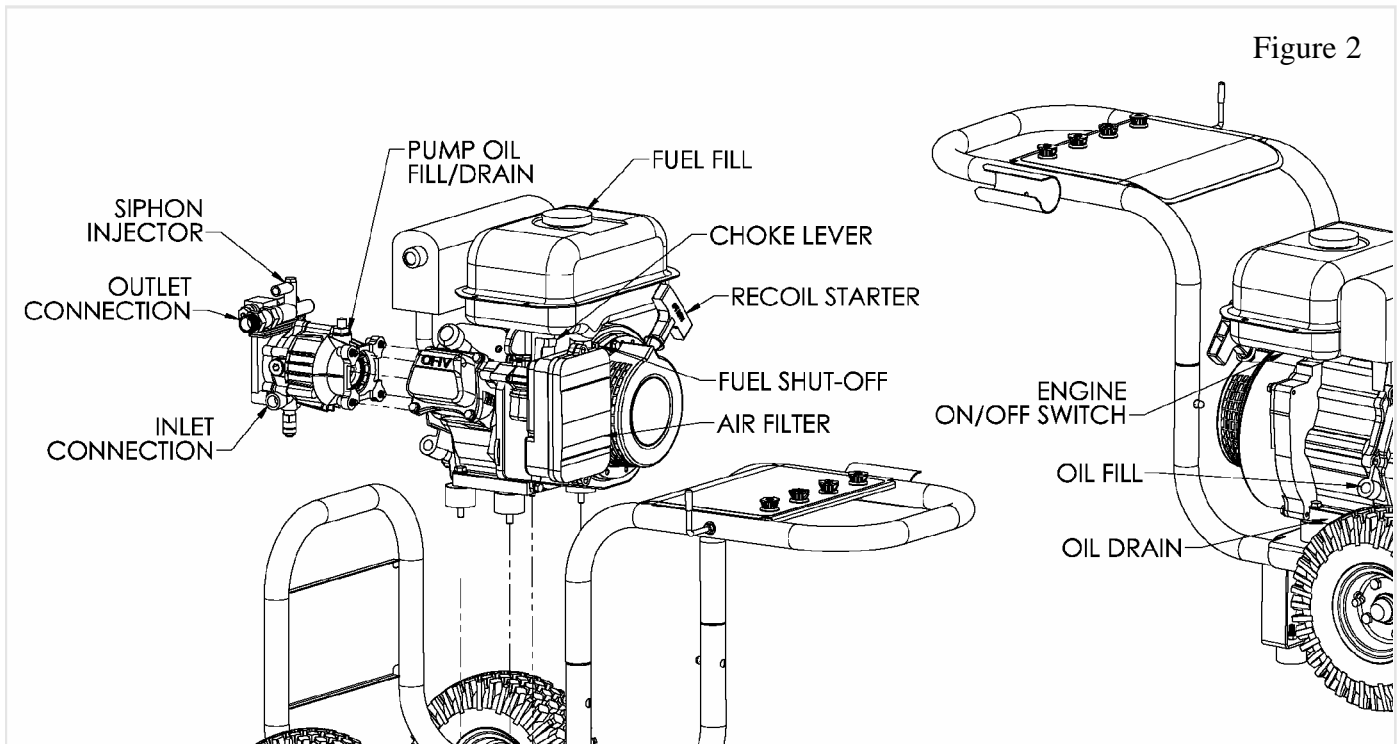
FUEL

Fill the tank with clean, fresh unleaded automotive gasoline. (See Figure 2). Regular grade gasoline may be used provided a high octane rating is obtained (at least 85 pump octane).

WARNING

Gasoline is very dangerous. Serious injury may result from fire caused by gasoline contacting hot surfaces.

Do not overfill the tank. Keep maximum fuel level 1/2 inch below the bottom of the filler neck. This will allow expansion in hot weather and prevent overflow.



OPERATING CONNECTIONS

HIGH PRESSURE HOSE

Attach the high pressure hose to the fitting located on the pump. (See Figure 2, page 6).

NOTE: DO NOT use a high pressure hose from another manufacturer.

WATER CONNECTION

Before connecting to unit, run water through the garden hose (not supplied) to flush out any foreign matter. Check that the screen is clean and is in the inlet of the pump. Attach garden hose to the pressure washer water inlet. (See Figure 2, page 6).

NOTE: The water supply must provide a minimum of 4 g.p.m. at 20 p.s.i. or the pump will be damaged.

OPERATING INSTRUCTIONS

START-UP PROCEDURE

1. Make sure water supply is connected and turned on.
2. Release gun safety if locked.
3. To allow air to escape from the hose, squeeze trigger on the gun until there is a steady stream of water coming from the nozzle.
4. Remove any dirt or foreign matter from the gun outlet and the male connector of the wand.
5. Insert the nozzle wand into the gun wand and tighten the twistfast fitting securely by hand.

WARNING



If the wand is not securely locked into place, it could be ejected under high pressure when operating the gun, possibly causing injury or damage.

STARTING THE ENGINE (See Figure 2, page 6)

1. Check oil and fuel level.
2. Adjust choke prime as necessary.
3. Set the engine switch to the "ON" position.
4. Squeeze trigger on pressure washer to release pressure while pulling on the engine starter rope with a fast steady pull. Pressure may otherwise build up making starting the unit difficult.
5. As the engine warms up, readjust the choke.

CHEMICAL INJECTION



CAUTION

This pressure washer is intended for use only with liquid car wash detergents, developed specifically for pressure washer and with mild soaps. We recommend the use of Coleman® Powermate® Pressure Washer Chemicals. Only use chemicals compatible with the aluminum and brass parts of the pressure washer. Powdered soaps may clog the injection system. Always use chemicals according to manufacturer directions. Powermate Corporation assumes no responsibility for any damages caused by chemicals injected through this pressure washer.

1. Attach injection tube assembly to the siphon injector on the pump. (See Figure 2, page 6).
2. Open a container of Coleman® Powermate® Pressure Washer Chemical and place next to the unit near the injection tube.
3. Visually inspect strainer at the end of the injection tube to verify that it is not clogged.
4. Insert the injection tube into the container all the way to the bottom.
5. If chemical injection is adjustable, set injection rate by turning valve clockwise until it is tight. Then turn valve counterclockwise to increase injector rate and clockwise to decrease injector rate.
6. If your pressure washer is equipped with removable nozzles, remove the high-pressure nozzle from the wand and install the black injection nozzle. The solution will automatically be mixed with the water and discharged through the nozzle.
7. If your pressure washer is equipped with an adjustable nozzle, the low pressure nozzle position should be used when operating the chemical injector to apply chemicals. When low pressure is required, grasp and slide the nozzle cover away from the gun.

NOTE: For certain models, if the engine throttle is not in the "fast" position, the injection of the solution may be decreased or stopped.

CLEANING TECHNIQUES

Cleaning Techniques

When cleaning with the pressure washer, many cleaning tasks can be solved with water alone, but for most tasks it is advantageous to use a detergent also. A detergent ensures a quick soaking of the dirt allowing the high pressure water to penetrate and remove the dirt more effectively.

Coleman® Powermate® Pressure Washer Chemicals are specially formulated to be used with your pressure washer.

APPLICATION OF SOAP OR DEGREASER

1. Apply the solution to a DRY work surface. On a vertical surface, apply horizontally from side to side starting from the bottom to avoid streaking.

NOTE: Wetting the surface first is not recommended, as it dilutes the detergent and reduces its cleaning ability. Avoid working on hot surfaces or in direct sunlight to minimize the chances of the chemical damaging painted surfaces. Damage may occur to painted surface if chemical is allowed to dry on the surface. Hold nozzle far enough away from surface to prevent damage to the surface.

2. Allow chemical to remain on the surface for a short time before rinsing.

3. Rinse with clean water under high pressure. On a vertical surface, first rinse from the bottom up, then rinse from the top down. Hold nozzle 6 to 8 inches from the work surface at a 45° angle using the flat spray as a peeling tool rather than a scrub brush.

APPLICATION OF WAX

1. Immediately after cleaning, apply Coleman® Powermate® Pressure Washer Wax. Place injection tube in container of wax.
2. Apply the wax sparingly in an even layer. Apply to wet surfaces from the bottom up for even distribution and to avoid streaking.
3. Remove the suction tube from the wax bottle and rinse off the surplus wax.

NOTE: IF SURPLUS WAX IS NOT REMOVED, A HAZY FINISH MAY RESULT.

4. Wipe dry to reduce water spotting.

END OF OPERATION

End of Operation

When you have completed use of the chemical injection system, remove tube from container. Continue to run in low pressure position and inject clean water through the tube and injection system by placing end of tube in a container of clean water. Continue to run until it is thoroughly cleaned.

MAINTENANCE

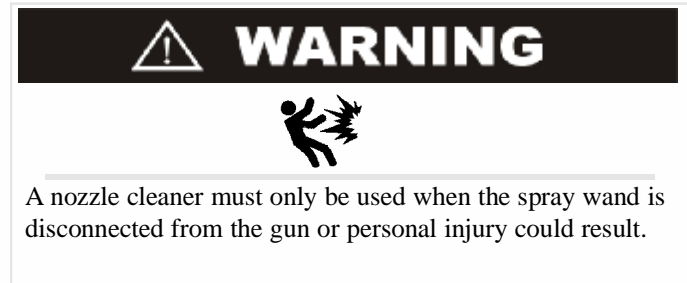
CONNECTIONS

Connections on pressure washer hoses, gun and spray wand should be cleaned regularly and lubricated with the manufacturer's recommended grease to prevent leakage and damage to the o-rings.

NOZZLE

If the high pressure/low pressure adjustment of the nozzle becomes difficult, please contact Coleman® Powermate® Customer Service Department for proper cleaning and lubrication procedures.

Clogging of the nozzle causes the pump pressure to be too high and cleaning is immediately required.



1. Separate the wand from the gun.
2. Clear the nozzle with a small rigid piece of wire such as a paper clip.
3. Flush the nozzle backwards with water.
4. Reconnect the wand to the gun.

Restart the pressure washer and depress the trigger on the spray gun. If the nozzle is still plugged or partially plugged, repeat above items 1-4.

If the previous procedure does not clear the nozzle, replace with a new nozzle.

WATER SCREEN

The pressure washer is equipped with a water inlet screen to protect the pump. If the screen is not kept clean, it will restrict the flow of water to the pressure washer and may cause damage to the pump. Do not damage the screen while removing or cleaning screen. Any foreign particles entering the pump may damage the pump. Do not operate pressure washer without the screen in place.

Remove the screen and back flush to remove impurities from screen. Replace immediately.

ENGINE MAINTENANCE

During the winter months, rare atmospheric conditions may develop which will cause an icing condition in the carburetor. If this develops, the engine may run rough, lose power, and may stall. This temporary condition can be overcome by deflecting some of the hot air from the engine over the carburetor area.

NOTE: Refer to pages 11 and 12 for service and maintenance of the engine.

STORAGE

PUMP STORAGE

If you must store your pressure washer in a location where the temperature is below 32°F, you can minimize the chance of damage to your machine by utilizing the following procedure:

1. Shut off water supply and relieve pressure in the spray gun by depressing the trigger. Disconnect the garden hose from the pressure washer, but leave the high-pressure hose connected.
2. Tip the unit on its side with the inlet connection pointing up.
3. Insert a small funnel (to prevent spilling) into the inlet and pour in approximately 1/4 cup of RV antifreeze.
4. Disconnect spark plug wire.
5. Without connecting garden hose pull the recoil several times to circulate the antifreeze in the pump system. Continue to add antifreeze and pull the recoil until the antifreeze is expelled when the trigger is pulled.
6. Turn the unit upright.



CAUTION

Prior to restarting, thaw out any possible ice from the pressure washer hoses, spray gun and wand.

Another method of reducing risks of freeze damage is to drain your pressure washer as follow:

1. Stop the pressure washer and detach supply hose and high pressure hose. Squeeze the trigger of the discharge gun to drain all water from the wand and hose.
2. Restart the pressure washer and let it run briefly (about 5 seconds) until water no longer discharges from the high pressure outlet.

ENGINE STORAGE

When the pressure washer is not being operated or is being stored more than one month, follow these instructions:

1. Replenish engine oil to upper level.
2. Drain gasoline from fuel tank, fuel line, fuel valve and carburetor.
3. Pour about one teaspoon of engine oil through the spark plug hole, pull the recoil starter several times and replace the plug. Then pull the starter slowly until you feel increased pressure which indicates the piston is on its compression stroke and leave it in that position. This closes both the intake and exhaust valves to prevent the inside of the cylinder from rusting.
4. Cover the pressure washer and store in a clean, dry place that is well ventilated away from open flame or sparks.

NOTE: The use of a fuel additive, such as Coleman® Powermate® Generator Fuel Additive, or an equivalent, will minimize the formulation of fuel gum deposits during storage. Such an additive may be added to the gasoline in the fuel tank of the engine, or to the gasoline in a storage container.

LIMITED WARRANTY

Warranty Coverage: Powermate Corporation (the Company) warrants to the original retail customer in North America that it will repair or replace, free of charge, any parts found by the Company or its authorized service representative to be defective in material or workmanship. This warranty covers the cost of replacement parts and labor for defects in material or workmanship.

Not Covered:

- Transportation charges for sending the product to the Company or its authorized service representative for warranty service, or for shipping repaired or replacement products back to the customer; these charges must be borne by the customer.
- Engine may be covered exclusively by a separate warranty from the engine manufacturer as set forth in the engine Manual (if included).
- Damages caused by abuse or accident, and the effects of corrosion, erosion and normal wear and tear.
- Warranty is void if the customer fails to maintain and operate the product as instructed and recommended by the Company in the owner's manual.
- Warranty applies only if the product is used solely for consumer applications, and does not apply if the product is used for commercial or business applications, or as rental equipment.
- The Company will not pay for repairs or adjustments to the product, or for any costs or labor, performed without the Company's prior authorization.

Warranty Period: One (1) year from the date of purchase. For warranty service, the customer must provide dated proof of purchase and must notify the Company within the warranty period.

For warranty service: Call toll free 800-445-1805, or write to Powermate Corporation, Product Services, 4970 Airport Road, P. O. Box 6001, Kearney, NE 68848.

EXCLUSIONS AND LIMITATIONS: THE COMPANY MAKES NO OTHER WARRANTY OF ANY KIND, EXPRESS OR IMPLIED. IMPLIED WARRANTIES, INCLUDING WARRANTIES OF MERCHANTABILITY AND OF FITNESS FOR A PARTICULAR PURPOSE, ARE HEREBY DISCLAIMED. THE WARRANTY SERVICE DESCRIBED ABOVE IS THE EXCLUSIVE REMEDY UNDER THIS WARRANTY; LIABILITY FOR INCIDENTAL AND CONSEQUENTIAL DAMAGES IS EXCLUDED TO THE EXTENT PERMITTED BY LAW.

This warranty gives you specific legal rights, and you may also have other rights which vary from state to state. Some states do not allow a disclaimer of implied warranties, or the exclusion or limitation of incidental and consequential damages, so the above disclaimers and exclusions may not apply to you.

PROBLEM	POSSIBLE CAUSE	CORRECTION
Engine will not start or stops while operating.	Low-oil shutdown.	Fill engine with oil.
	Engine switch not in the "ON" position.	Turn switch "ON".
	Pressure build up in hose.	Squeeze trigger.
Engine is overloaded.	Nozzle partially blocked.	Clean nozzle.
	Excessive pressure.	Reduce pressure by using pressure adjustment knob
Water or oil leaking from bottom of pump.	A small amount of leakage is normal.	If excessive leaking occurs call the Customer Service Department.
Pressure increases when gun is closed.	Bypass valve not operating properly.	Call the Customer Service Department.
Engine running but pump not building maximum pressure or has irregular pressure.	Faucet closed	Open faucet.
	Unit has been stored in freezing temperatures.	Thaw out unit completely including hose, gun and wand.
	Inadequate water supply.	Provide a minimum of 4 gpm at 20 psi.
	Water inlet screen clogged.	Clean screen.
	Kink in garden hose.	Straighten hose
	Wand nozzle worn or damaged.	Replace nozzle,
	Air in pump.	Let run with gun open and wand removed until steady stream of water is released.
	Adjustable pressure knob not set to maximum position.	Set to maximum position.
	Suction or discharge valves clogged or worn out.	Call the Customer Service Department.
	By-pass valve not operating effectively.	Call the Customer Service Department.
No intake of chemicals	Injection tube not securely inserted into unit.	Push firmly into injector.
	Tube cracked or split.	Replace tubing.
	Wrong nozzle.	Switch to low pressure nozzle.
	Injector turned off.	Turn collar counter clockwise.
	Injection tube strainer clogged.	Clean strainer.
	Nozzle blocked.	Clean nozzle.
Dried chemicals injector.	Dissolve by running warm water trough the injection tube.	
Trigger will not move.	Gun safety lock engaged.	Release safety lock.
Water in crankcase.	High humidity.	Change oil more frequently.
	Worn seals.	Call the Customer Service Department.
Noisy operation.	Worn bearings	Call the Customer Service Department.
	Air mixed with water.	Check inlet lines for restrictions and /or proper sizing.
Rough/pulsating operation with pressure drop.	Worn packing.	Call the Customer Service Department.
	Inlet restriction.	Check system for stoppage, air leaks, correctly sized inlet plumbing to pump.
	Unloader.	Check unloader for proper operation.
	Air mixed in water.	Check inlet lines for restrictions and/or proper sizing.
High crankcase temperatures.	Wrong grade of oil.	Use recommended oil.
	Improper amount of oil in crankcase.	Adjust oil level to proper amount.

PERIODIC MAINTENANCE

ITEM	NOTES	Daily (Before operation)	Initial 20 hours	Every 50 hours	Every 100 hours
Spark Plug	Check condition. Adjust gap and clean. Replace if necessary.			ü	
Engine Oil	Check oil level.	ü			
	Replace.		ü		ü
Air Filter	Clean, replace if necessary.			ü	
Fuel Filter	Clean fuel filter and fuel tank strainer. Replace if necessary.				ü
Fuel Line	Check fuel hose for cracks or other damage. Replace if necessary.	ü			
Exhaust System	Check for leakage. Retighten or replace gasket if necessary.	ü			
	Check muffler screen. Clean/replace if necessary.				ü
Carburetor	Check choke operation.	ü			
Starting System	Check recoil starter operation.	ü			
Fittings/ Fasteners	Check. Replace if necessary.				ü

ENGINE MAINTENANCE

SPARK PLUG

Remove the spark plug and clean the electrodes section with a wire brush or sandpaper. Next, set the gap at .028/.031 inches (0.7-0.8 mm) by adjusting the negative electrode. Replace the spark plug with correct torque: 14 ft-lb (20 N.m)



CAUTION

Replace with only the same type of spark plug which was removed. An improper spark plug can cause the engine to overheat, emit smoke, or otherwise perform poorly.

OIL TYPE

Use new good quality oil, SE, SF, or SD grade. The oil to be used depends upon the temperature at which the engine is operated:

Below 32° F (0° C)SAE 10W, 10W-30, or 10W-40
 32 to 80° F (0 to 25° C)SAE 20W, 10W-30, or 10W-40
 80 to 95° F (25 to 35° C)SAE 30W, 10W-30, or 10W-40
 Above 95° F (35° C)SAE 40W

OIL REPLACEMENT

1. Change oil while engine is warm.
2. Place the generator unit on a level surface.
3. Remove the oil filler cap.
4. Open the oil drain plug and let oil drain completely into a pan placed under the engine.
5. Check gaskets. Replace if required.
6. Reinstall the oil drain plug and refill engine with clean oil.
7. Replace the oil filler cap.

AIR FILTER CLEANING

1. Unscrew the air filter cover.
2. Remove filter element and wash well in solvent.
3. Pour a small amount of oil onto the filter element and gently squeeze out any excess oil.
4. Replace the filter element and air filter cover.
5. Be sure the filter cover seals properly all around.

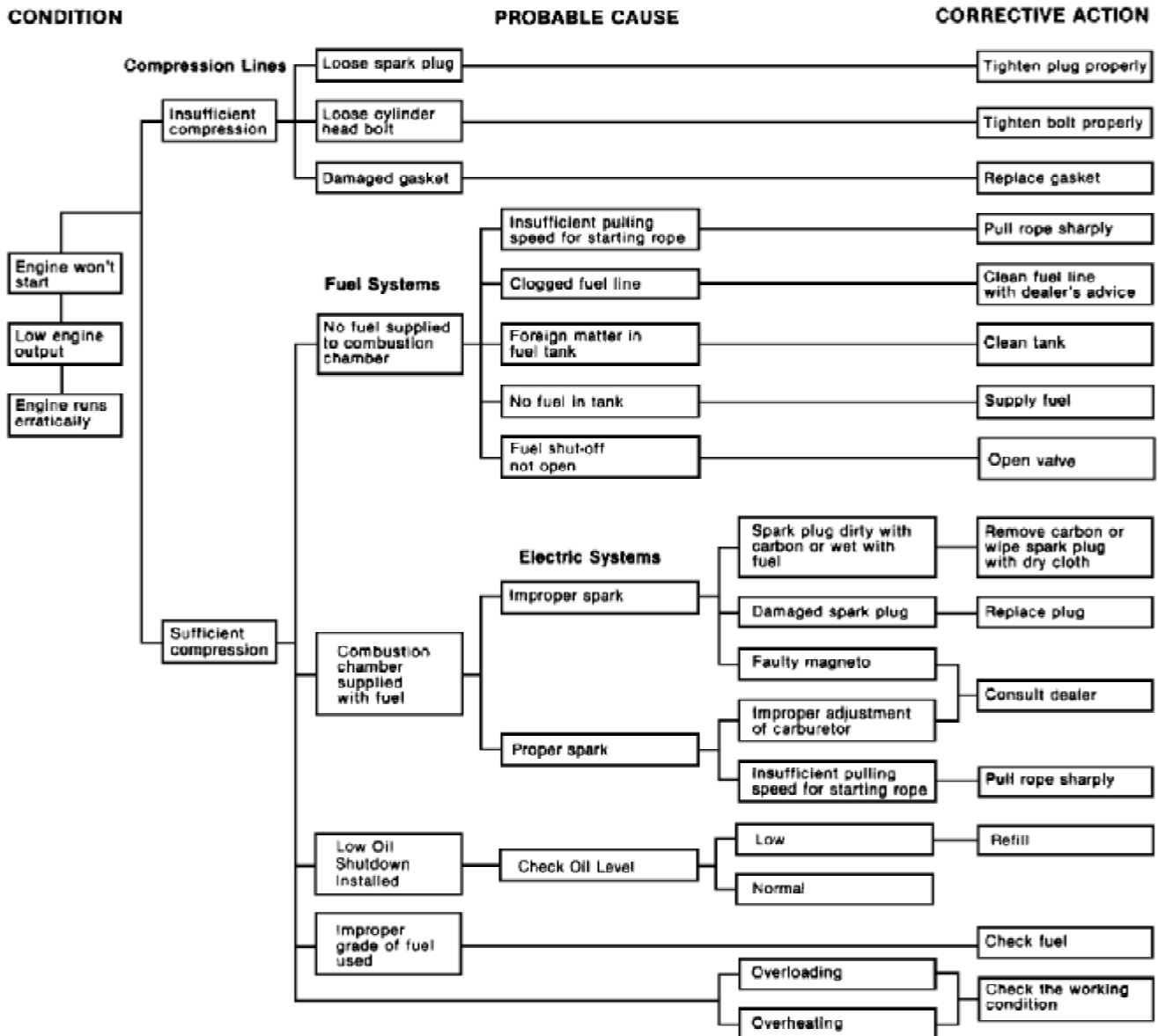
FUEL VALVE FILTER CLEANING

1. Remove the cup at the bottom of the fuel valve with a small wrench.
2. Remove the fuel valve filter.
3. Clean and wash out the filter and cup and replace.

FUEL STRAINER CLEANING

1. Remove the plastic fuel strainer, located below the fuel tank cap.
2. Wash the strainer in solvent and replace.

ENGINE TROUBLESHOOTING



ENGINE SPECIFICATIONS

Type	.4-stroke, single cylinder, gasoline, OHV
Displacement	.171 cc, 10.44 cubic inches
Maximum HP	.5.5 HP @ 3600 rpm
Starting System	.Recoil (electronic ignition)
Driving System	.Direct coupling, tapered crank
Oil Capacity	.20 oz.
Spark Plug	.Champion RN14YC or equivalent
Governor	.Mechanical (adjustable)
Cooling System	.Forced air cooling
Bore x Stroke	.66.0 X 50.0 mm (2.60 x 1.97 in.)
Carburetor Type	.Float
Air Cleaner Type	.Foam element

**CALIFORNIA EMISSION CONTROL WARRANTY STATEMENT
YOUR WARRANTY RIGHTS AND OBLIGATIONS**

The California Air Resources Board and Powermate Corporation (herein "Powermate") are pleased to explain the evaporative emission control system (EECS) warranty on your 2006 pressure washer. In California, new pressure washers must be designed, built and equipped to meet the State's stringent anti-smog standards. Powermate must warrant the EECS on your pressure washer for the periods of time listed below, provided there has been no abuse, neglect or improper maintenance of your pressure washer.

Your EECS includes parts such as: fuel hoses.

MANUFACTURER'S WARRANTY COVERAGE:

This evaporative emission control system is warranted for two years. The warranty period begins on the date the pressure washer is delivered to an ultimate purchaser.

Powermate warrants to the ultimate purchaser and any subsequent owner that the pressure washer is (i) designed, built and equipped so as to conform with all applicable regulations; and (ii) free from defects in materials and workmanship that cause the failure of a warranted part to be identical in all material respects to that part as described in Powermate's application for certification.

If any evaporative emission-related part on your pressure washer is defective, the part will be repaired or replaced by Powermate.

OWNER'S WARRANTY RESPONSIBILITIES:

As the pressure washer owner, you are responsible for performance of the required maintenance listed in your owner's manual. Powermate recommends that you retain all receipts covering maintenance on your pressure washer, but Powermate cannot deny warranty solely for the lack of receipts. You should, however, be aware that Powermate may deny you warranty coverage if your pressure washer or a part has failed due to abuse, neglect or improper maintenance or unapproved modifications.

You are responsible for presenting your pressure washer to an authorized Powermate warranty service center as soon as the problem exists. The warranty repairs should be completed in a reasonable amount of time, not to exceed 30 days. If you have a question regarding your warranty coverage, you should call Powermate Product Service at 1-800-445-1805.

DETAILS OF YOUR WARRANTY

Subject to certain conditions and exclusions as stated below, the warranty on emission-related parts is as follows:

- (1) Any warranted part that is not scheduled for replacement as required maintenance in the written instructions supplied, is warranted for the period stated above. If the part fails during the period of warranty coverage, the part will be repaired or replaced by Powermate according to Subsection (4) below. Any such part repaired or replaced under warranty will be warranted for the remainder of the period.
- (2) Any warranted part that is scheduled only for regular inspection in the written instructions supplied, is warranted for the warranty period stated above. Any such part repaired or replaced under warranty will be warranted for the remaining warranty period.
- (3) Any warranted part that is scheduled for replacement as required maintenance in the written instructions supplied, is warranted for the period of time before the first scheduled replacement date for that part. If the part fails before the first scheduled replacement date, the part will be repaired or replaced by Powermate according to Subsection (4) below. Any such part repaired or replaced under warranty will be warranted for the remainder of the period prior to the first scheduled replacement date for the part.
- (4) Repair or replacement of any warranted part under the warranty provisions herein must be performed at an authorized Powermate warranty service center at no charge to the owner.
- (5) The pressure washer owner will not be charged for diagnostic labor that is directly associated with diagnosis of a defective, emission-related warranted part, provided that such diagnostic work is performed at an authorized Powermate warranty service center.
- (6) Powermate is liable for damages to other engine or pressure washer components proximately caused by a failure under warranty of any warranted part.
- (7) Throughout the pressure washer warranty period stated above, Powermate will maintain a supply of warranted parts sufficient to meet the expected demand for such parts.
- (8) Any replacement part may be used in the performance of any warranty maintenance or repairs and must be provided without charge to the owner. Such use will not reduce the warranty obligations of Powermate.
- (9) Add-on or modified parts that are not exempted by the Air Resources Board may not be used. The use of any non-exempted add-on or modified parts by the ultimate purchaser will be grounds for disallowing a warranty claims. Powermate will not be liable to warrant failures or warranted parts caused by the use of a non-exempted add-on or modified part.
- (10) The repair or replacement of any warranted part otherwise eligible for warranty coverage may be excluded from such warranty coverage if the pressure washer has been abused, neglected or improperly maintained, and such abuse, neglect or improper maintenance was the direct cause of the need for repair or replacement of the part.

WARRANTED PARTS:

The following emission warranty parts list is covered:

Fuel Hose.

Félicitations pour votre achat de nettoyeur haute pression Coleman® Powermate®. Que ce soit pour des travaux de nettoyage ordinaire à la maison ou pour des travaux plus difficiles, les laveuses Coleman® Powermate® ont été conçues pour vous offrir la puissance dont vous avez besoin. Votre laveuse à pression Coleman® Powermate® vous rendra service pendant des années. Pour cela, suivre les procédures de rodage, les procédures de préparation et d'utilisation, et effectuer l'entretien préventif selon les indications de ce document, ainsi que du manuel relatif au moteur, qui l'accompagne.

Le plus important, c'est votre propre sécurité et celle de votre entourage. Ne pas oublier que, si la laveuse à pression Coleman® Powermate® vous offre toute la puissance dont vous avez besoin, il ne faut pas pour autant mettre de côté les règles de sécurité.

Merci d'avoir choisi notre produit.

Powermate Corporation

SERVICE CLIENTELE

Appeler notre numéro numéro gratuit
1-800-445-1805

ou www.powermate.com

pour tous renseignements concernant la garantie ou pour commander des pièces de rechange ou des accessoires.

Veuillez être prêt à donner les renseignements suivants:

1. Numéro de modèle
2. Numéro de série.
3. Date et lieu d'achat.
4. Référence des pièces en cas de commande de pièces de rechange.

Powermate Corporation

4970 Airport Road

P.O. Box 6001

Kearney, NE 68848

Attention: Warranty Service Department

www.powermate.com

Symboles Utilisés

Les symboles suivants sont utilisés dans ce manuel. Pour votre sécurité, suivre les consignes indiquées.

DANGER



Indique une situation présentant un danger imminent et qui, en l'absence d'intervention, peut conduire à la mort ou entraîner de graves blessures.

AVERTISSEMENT



Indique une situation présentant un danger potentiel et qui, en l'absence d'intervention, pourrait conduire à la mort ou entraîner de graves blessures.

ATTENTION



Indique une situation présentant un danger potentiel et qui, en l'absence d'intervention, pourrait entraîner des blessures légères ou endommager le produit.

NOTE : indique des renseignements sur l'utilisation ou l'entretien, qui peuvent améliorer les performances ou le fonctionnement.

Les mesures de sécurité ci-après doivent être prises lors de l'utilisation, du stockage ou de l'entretien d'une nettoyeur haute pression Coleman® Powermate® ou de son moteur, afin de réduire le risque de blessures corporelles. En ne suivant pas ou en ignorant ces précautions, il peut y avoir blessures ou endommagement du produit.

AVERTISSEMENT



- Lire attentivement ce manuel. Apprenez à bien connaître votre équipement. Examiner les utilisations possibles, les dangers potentiels et les limitations de votre machine.
- Se familiariser avec l'appareil et tenir compte des domaines d'usage, des restrictions et des risques potentiels qui découlent de son utilisation.
- Stocker le nettoyeur dans un endroit bien ventilé, avec le réservoir de carburant vide. Ne pas stocker de carburant près de la génératrice.
- Ne jamais utiliser dans les conditions suivantes :
 - a. Une variation importante du régime moteur.
 - b. Une perte de pression notable.
 - c. Le moteur a des ratés.
 - d. Présence de fumée ou de flammes.
 - e. Compartiment fermé.
 - f. Vibration excessive.
 - g. Pluie ou mauvais temps.
- Ne jamais diriger le jet d'eau vers des câbles électriques ou directement sur le nettoyeur.
- Éviter tout contact du flexible avec le silencieux chaud.
- Placer l'équipement sur une surface plane et ferme.
- Retirer la bougie ou le fil de bougie, afin d'empêcher tout démarrage accidentel, lorsque l'appareil n'est pas en service ou avant de débrancher le flexible haute pression.
- Le nettoyeur doit rester propre, sans traces d'huile, de boue et d'autres corps étrangers.
- Ne pas porter de vêtements amples, de bijoux ou quoi que ce soit qui pourrait se prendre dans le moteur.
- Ne jamais diriger le jet sur des personnes ou des animaux domestiques.
- Ne jamais autoriser un enfant à se servir d'un nettoyeur haute pression.
- Tenir la lance à deux mains.

AVERTISSEMENT



- Ne pas toucher à la buse ou au jet d'eau, lorsque l'appareil fonctionne.
- Porter des lunettes de protection en travaillant.
- N'utiliser que des flexibles et des buses approuvées.
- Le pistolet à gâchette ne doit pas rester bloqué en position lors de l'utilisation.
- Ne jamais faire de nœuds dans le flexible haute pression, ni le pincer.
- Les raccords de flexible doivent être étanches.
- Par temps froid, avant de faire démarrer le nettoyeur, s'assurer qu'il n'y a pas de glace en aucun endroit de l'équipement.
- N'utiliser que des produits chimiques recommandés.
- Pour usage extérieur seulement.
- Éloigner le nettoyeur haute pression de la surface de nettoyage durant le fonctionnement.
- Afin d'éviter toute décharge accidentelle, bloquer la gâchette du pistolet de pulvérisation, lorsqu'il n'est pas utilisé.
- Pour éviter d'endommager la pompe, ne pas faire fonctionner le nettoyeur plus de cinq minutes sans appuyer sur la gâchette.
- Vérifier de temps en temps le circuit de carburant, à la recherche de fuites ou de signes de détérioration : flexible usé par frottement ou spongieux, colliers desserrés ou manquants, réservoir ou bouchon endommagé. Corriger les défauts avant utilisation de la machine.
- Ne pas toucher au silencieux, lorsqu'il est chaud.
- Pour les interventions d'entretien, l'utilisation et le remplissage de carburant, respecter les conditions suivantes.
 - a. Bonne ventilation.
 - b. Faire le plein de carburant du nettoyeur dans un endroit bien éclairé.
 - c. Éviter tout déversement de carburant et ne jamais faire le plein lorsque la machine est en marche.
 - d. Ne pas faire de plein en présence d'une source d'inflammation.
 - e. Utiliser un carburant sans plomb, avec indice d'octane de 85 au minimum.
- Ne pas fumer à proximité de la laveuse.
- Ne pas se servir d'un flexible haute pression endommagé.

MESURES DE SÉCURITÉ

SOUPAPE DE SURPRESSION THERMIQUE

La soupape de surpression thermique a pour but de protéger la pompe de toute surchauffe si le pistolet de pulvérisation est fermé durant une longue période ou si la buse s'engorge. Toutefois, elle est conçue comme système auxiliaire et l'on doit faire tous les efforts possibles pour empêcher la pompe de surchauffer.

Nous recommandons d'arrêter le nettoyeur haute pression si l'on ne prévoit pas de l'utiliser durant plus de cinq minutes. Ceci évite l'usure de l'appareil, réduit la consommation de carburant et prolonge la vie de la pompe en évitant la surchauffe.

LOQUET DE SÉCURITÉ

Pour éviter tout déversement accidentel d'eau sous haute pression, le loquet de sécurité sur la gâchette devrait être en place lorsque le nettoyeur haute pression n'est pas utilisé. (Reportez-vous aux instructions d'utilisation.)

ARRÊT SUITE AU BAS NIVEAU D'HUILE

Le système est équipé d'un détecteur de bas niveau d'huile. Si le niveau d'huile du moteur est plus bas que celui exigé, le nettoyeur haute pression s'arrêtera automatiquement. Ceci portège le moteur de votre nettoyeur haute pression en l'empêchant de fonctionner sans le niveau de lubrification voulu.

Si le moteur de votre nettoyeur haute pression s'arrête et si le niveau d'huile respecte les spécifications, vérifiez si le nettoyeur haute pression n'est pas installé à un angle qui force l'huile à se déplacer. Installez sur une surface plane pour corriger ce problème. Si le moteur refuse de démarrer, le niveau d'huile n'est peut-être pas suffisant pour désactiver l'interrupteur de bas niveau d'huile. Assurez-vous que le carter est rempli d'huile.



ATTENTION



La pompe surchauffera et peut être endommagée si on la laisse recycler pendant plus de cinq minutes.

SILENCIEUX PARE-ÉTINCELLES

VOTRE PRODUIT PEUT NE PAS ÊTRE MUNI D'UN SILENCIEUX PARE-ÉTINCELLES. S'il doit être utilisé à proximité de matériaux inflammables, tels que des récoltes, des forêts, des broussailles, des herbes ou autres, il est fortement recommandé d'installer un pare-étincelles, par ailleurs obligatoire en Californie. L'usage d'un pare-étincelles pourrait également être exigé par d'autres lois et règlements. Un pare-étincelles homologué est disponible auprès de votre concessionnaire Coleman® Powermate® ou peut être commandé à Powermate Corporation, P. O. Box 6001, Kearney, Nebraska 68848. Téléphone : 1-800-445-1805.

SPÉCIFICATIONS

Pression maximale d'entrée	Jusqu'à 90 psig (620 kPa)
R/MIN	3600 R/MIN
Température des fluides pompés	Jusqu'à 80 °F (27 °C)
Orifices d'entrée	3/8" BSP
Orifices de refoulement	3/8" BSP
Poids	9 lb (4 kg)
Capacité du carter en huile	4.7 oz fluides (0,14 L)

Vérifier le facteur de correction à utiliser en cas d'exigences spéciales à satisfaire par la pompe, lorsqu'elle doit fonctionner au-delà d'une ou plusieurs des limites indiquées ci-dessus.

CHOIX DE BUSE DE PULVÉRISATION

Voici les renseignements concernant les quatre buses fournies avec votre nettoyeur haute pression.

Remarque: La force du jet sur la surface à nettoyer augmente lorsque vous rapprochez kde la surface avec la baguette.

0° Haute Pression (Rouge): Le jet d'eau déchargé est très agressif. Utilisez avec soin pour ne pas endommager la surface nettoyée ou blesser les personnes ou les animaux.

15° Haute Pression (Jaune): Voici la buse utilisée pour la plupart des applications de nettoyage. Elle offre une vaste couverture et un jet d'eau puissant.

40° Haute Pression (Pâle): Voici la buse utilisée pour la plupart des applications de nettoyage une grande la zone. Elle offre une vaste couverture et un jet d'eau puissant.

65° Basse Pression (Noir): Offre un jet de basse pression et une vaste couverture. Utilisé principalement avec l'injecteur chimique pour appliquer des produits chimiques.

AVANT TOUTE UTILISATION

REMARQUE: Le moteur et la pompe de votre nettoyeur haute pression Coleman® Powermate® fonctionneront beaucoup mieux après une période de rodage de plusieurs heures.

PRÉPARATION PRÉCEDANT LA MISE EN MARCHÉ

Avant de mettre en marche le nettoyeur haute pression, vérifiez qu'il n'y a aucune pièce desserrée et manquante ainsi que pour tout dommage survenu lors de l'expédition.

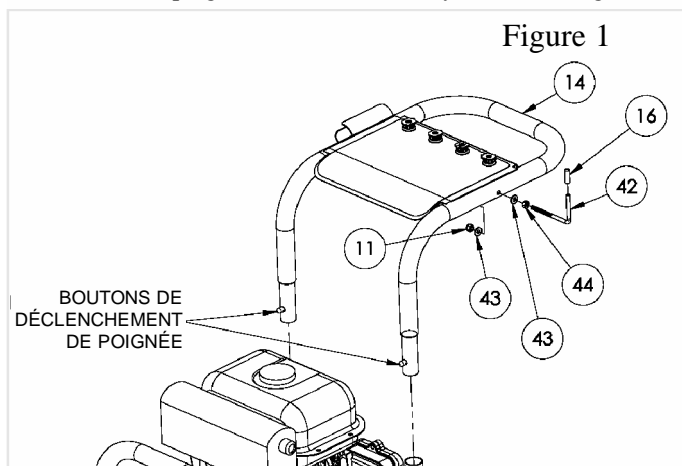
MONTAGE DU TUYAU ET DU PISTOLET

REMARQUE: Alignez les raccords filetés avec soin pour ne pas endommager les fils en assemblant. Resserrez bien tous les raccords afin d'éviter toute fuite lorsque l'appareil est en marche.

Fixez le tuyau à l'arrivée de la gâchette du pistolet.

MONTAGE DE LA POIGNÉE

Installer la poignée et le crochet de tuyau selon la Figure 1.



LUBRIFICATION DU MOTEUR

N'essayez PAS de faire démarrer le moteur du nettoyeur sans remplir l'arbre coudé du moteur de la bonne quantité et sorte d'huile (Voir pages 22 et 23 et Figure 2). On a expédié le moteur de votre nettoyeur de l'usine sans huile dans l'arbre coudé du moteur. Vous pouvez détruire le moteur en faisant fonctionner l'appareil sans huile.

La pompe a été livrée avec le plein d'huile. Avant d'utiliser la laveuse à pression, vérifiez le niveau d'huile de la pompe afin qu'il corresponde aux directives du fabricant. (Voir Figure 2). Utilisez l'huile recommandée par le fabricant de la pompe. NE PAS LA REMPLIR À L'EXCÈS.

Si la pompe ne possède pas de jauge d'huile ou de voyant latéral à glace, vérifiez s'il n'y a pas de fuites d'huile par la pompe. La pompe est expédiée de l'usine avec son huile. Pour un bon entretien, suivre le programme recommandé par le fabricant de la pompe.

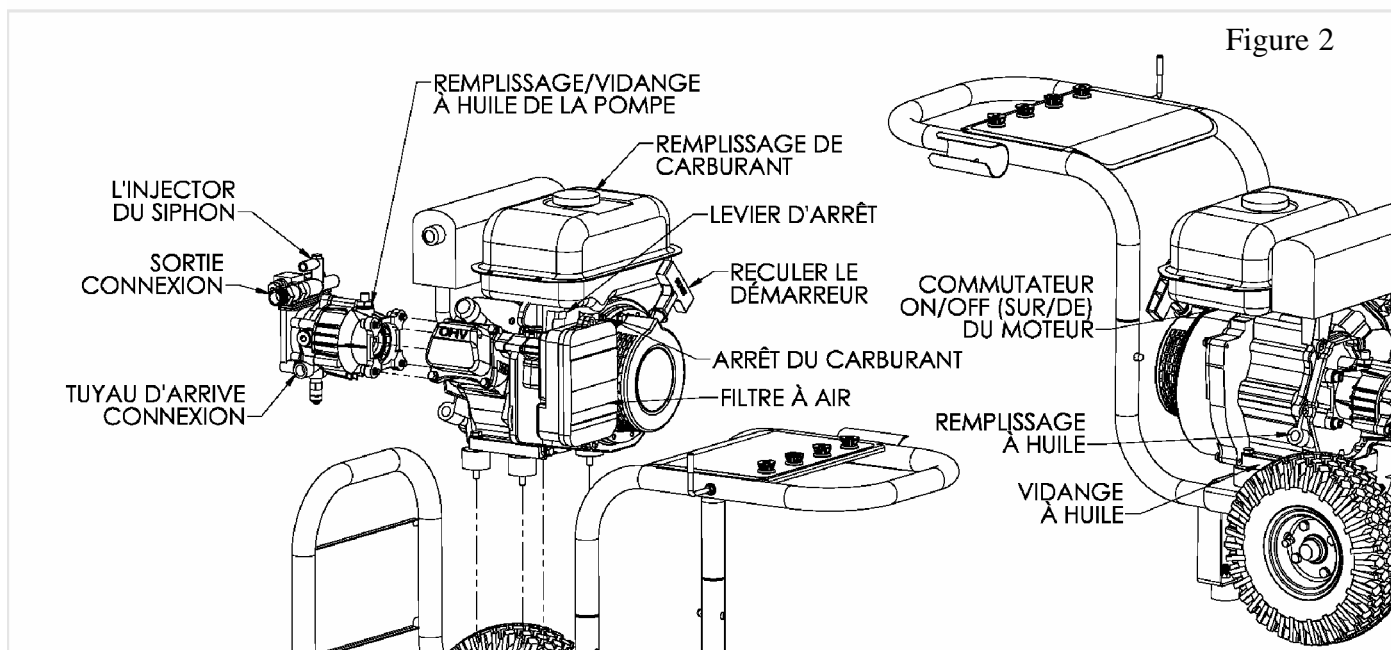
CARBURANT

Remplissez le réservoir avec de l'essence d'automobile propre, fraîche sans plomb. (Voir Figure 2). On peut utiliser l'essence régulière si l'on a un indice d'octane élevé (au moins d'indice 85).

AVERTISSEMENT

L'essence est très dangereuse. De sérieuses blessures peuvent résulter d'un feu causé par l'essence entrant en contact avec des surfaces chaudes.

Ne pas trop remplir le réservoir. Maintenir le niveau d'essence maximum à deux centimètres au-dessous du haut du goulot de remplissage. Ceci permet l'expansion du carburant pendant les périodes de chaleur et empêche l'essence de déborder.



RACCORDEMENTS

TUYAU HAUTE PRESSION

Fixer les tuyaux haute pression à l'endroit prévu qui se trouve en pompe. (Voir Figure 2, page 16).

REMARQUE: Ne PAS utiliser un haut tuyau de pression d'un autre fabricant.

RACCORDEMENT D'EAU

Avant de raccorder l'appareil, faites couler l'eau dans le tuyau d'arrosage (non compris) pour évacuer toute matière étrangère. Vérifiez que la grille soit propre et dans l'arrivée de la pompe. Fixez le tuyau à la prise d'eau du nettoyeur haute pression. (Voir Figure 2, page 16).

REMARQUE: L'alimentation en eau doit fournir un minimum de 4 g.p.m. à 20 p.s.i. sinon la pompe pourrait être endommagée.

UTILISATION

PROCÉDURE DE LANCEMENT

1. Assurez-vous que l'alimentation d'eau soit raccordée et en marche.
2. Dégagez le dispositif de verrouillage du pistolet, au besoin.
3. Pour permettre à l'air de s'échapper du tuyau, appuyez sur la gâchette du pistolet jusqu'à ce qu'il y ait un jet d'eau uniforme s'échappant de l'embout.
4. Retirez toute poussière ou matière étrangère de l'orifice de sortie du pistolet ainsi que du raccord de la baguette.
5. Insérez la baguette-buse dans la baguette du pistolet et resserrez le raccord en tournant manuellement.



AVERTISSEMENT



Si la baguette n'est pas bien verrouillée en place, elle peut être éjectée sous la haute pression lorsqu'on utilise le pistolet ce qui peut provoquer des blessures ou des dommages.

MISE EN MARCHÉ DU MOTEUR: (Voir Figure 2, page 16)

1. Vérifiez les niveaux d'huile et de carburant.
2. Ajustez le volet de départ si nécessaire.
3. Réglez le démarreur en position "ON".
4. Appuyez sur la gâchette du nettoyeur haute pression pour dégager la pression tout en tirant sur la corde du démarreur d'un coup rapide et égal sinon la pression peut s'accumuler rendant la mise en marche plus difficile.
5. Ajustez le volet de départ pendant que le moteur se réchauffe.

UTILISATION DE PRODUITS CHIMIQUES



ATTENTION

Ce nettoyeur est conçu seulement pour les détergents liquides de lave-auto, formulés spécialement pour les nettoyeurs haute pression, et pour les savons doux. Nous recommandons d'utiliser les produits chimiques de nettoyeurs haute pression Coleman® Powermate®. N'utilisez que des produits chimiques compatibles avec les pièces d'aluminium et de cuivre du nettoyeur. Les savons en poudre peuvent bloquer le système d'injection. Utilisez toujours les produits chimiques conformément aux directives des fabricants. Powermate Corporation n'accepte aucune responsabilité pour tout dommage causés par des produits chimiques injectés par ce nettoyeur haute pression.

1. Fixez le tube d'injection à l'injecteur du siphon sur la pompe. (Voir Figure 2, page 16).
2. Ouvrez le contenant de produits chimiques de nettoyeur à haute pression Coleman® Powermate® et placez-le à côté de l'appareil près du tube d'injection.
3. Regardez le filtre au bout du tube d'injection afin de vous assurer qu'il ne soit pas bloqué.
4. Insérez le tube d'injection dans le contenant jusqu'au fond.
5. Si l'injection de produits chimiques est réglable, fixez-en le débit en tournant à fond le robinet dans le sens des aiguilles d'une montre. Tournez ensuite le robinet dans le sens contraire des aiguilles d'une montre pour augmenter le débit d'injection ou dans le sens des aiguilles d'une montre pour le diminuer.
6. Si la laveuse à pression est équipée de buses amovibles, retirez la buse haute pression de la tige et installez la buse d'injection noire. La solution se mélangera automatiquement à l'eau et refluera alors par la buse.
7. Si la laveuse à pression est munie d'une buse réglable, il faut la mettre en position basse pression lors de l'utilisation de l'injecteur aux fins d'application des produits chimiques. Pour passer en mode basse pression, saisissez la buse et éloignez sa bague coulissante du pistolet en la faisant glisser.

REMARQUE:

Si la vitesse du moteur n'est pas en position "fast", l'injection de la solution peut diminuer ou s'arrêter.

TECHNIQUE DE NETTOYAGE

TECHNIQUE DE NETTOYAGE

Lorsque vous nettoyez avec le nettoyeur à haute pression, on peut accomplir de nombreuses tâches de nettoyage en utilisant seulement de l'eau, mais pour la plupart des tâches il est préférable d'utiliser aussi un nettoyant ce qui assure un trempage rapide de la saleté et par conséquent permet à l'eau à haute pression de pénétrer et de retirer la saleté plus efficacement.

Les produits chimiques de nettoyeur à haute pression Coleman® Powermate® sont spécialement formulés pour votre nettoyeur à haute pression.

APPLICATION DE SAVON OU DE DEGRAISSANT

1. Appliquez la solution sur une surface de travail SÈCHE. Sur une surface verticale, appliquez horizontalement d'un côté à l'autre en commençant par le bas pour éviter des coulées.

NOTE: Il n'est pas recommandé de mouiller la surface d'abord parce que cela dilue le détergent et réduit sa capacité de nettoyage. Évitez de travailler sur des surfaces chaudes ou sous les rayons directs du soleil afin de réduire les risques que le produit chimique n'abîme les surfaces peintes. Les dommages à la surface peinte peuvent survenir après séchage du produit chimique sur la surface en question. Tenez la buse suffisamment éloignée de cette dernière pour empêcher que la surface ne s'abîme.

2. Laissez le produit chimique sur la surface un peu avant de le rincer.
3. Rincez à l'eau propre sous une haute pression. Sur les surfaces verticales, rincez d'abord de bas en haut, puis rincez de haut en bas. Tenez l'ajutage de 6 à 8 pouces de la surface de travail à un angle de 45° en utilisant un jet plat comme un outil pour peler plutôt que comme une brosse pour frotter.

APPLICATION DE CIRE

1. Immédiatement après le nettoyage, appliquez la cire du nettoyeur à haute pression Coleman® Powermate®. Placez le type d'injection dans le contenant de cire.
2. Appliquez la cire en petite quantité en une couche uni forme. Appliquez aux surfaces mouillées de bas en haut haut uniformément pour éviter les coulées.
3. Retirez le tube de succion de la bouteille de cire et rincez le surplus de cire.

NOTE: SI L'EXCÉDENT DE CIRE N'EST PAS ENLEVÉ, ON PEUT AVOIR UN FINI BROUILLÉ.

4. Essayez pour réduire les tâches d'eau.

APRES UTILISATION

Lorsque vous avez fini d'utiliser le système d'injection de produits chimiques, retirez le tube du récipient. Laissez la machine fonctionner à basse pression et injectez de l'eau propre par le tube et le système d'injection, en plongeant l'extrémité du tube dans un récipient d'eau propre. Laissez la machine en marche jusqu'à ce que le nettoyage soit terminé.

ENTRETIEN DE L'APPAREIL

RACCORDS

Les raccords des tuyaux, pistolet et baguette du nettoyeur à haute pression doivent être nettoyés régulièrement et lubrifiés avec de la graisse pour éviter les fuites et les dommages aux joints toriques.

AJUTAGE

S'il est difficile d'ajuster la haute/basse pression de la buse, veuillez communiquer avec le service à la clientèle de Coleman® Powemate® pour obtenir les procédures appropriées pour nettoyer et lubrifier.

Si l'ajutage est bloqué cela peut provoquer une pression trop forte de la pompe et il faut le nettoyer immédiatement.



AVERTISSEMENT



On ne doit utiliser le nettoyeur d'ajutage que lorsque la baguette est débranchée du pistolet sinon des blessures personnelles pourraient en résulter.

1. Séparez la baguette du pistolet.
2. Nettoyer la buse avec un petit morceau de fil rigide comme un trombone.
3. Vidangez l'ajutage en sens inverse avec de l'eau.
4. Remplacez la baguette au pistolet.

Remettez en marche le nettoyeur à haute pression et dégagez la gachette du pistolet vaporisateur. Si l'ajutage est encore bloqué ou l'est partiellement, reprenez les étapes 1 à 4 précédentes.

Si la marche à suivre précédente ne permet pas de dégager la buse, remplacez-la par une nouvelle buse.

FILTRE A EAU

Votre nettoyeur haute pression est muni d'une grille pour la prise d'eau afin de protéger la pompe. Si la grille n'est pas bien entretenue, cela réduira le débit d'eau du nettoyeur haute pression et pourra endommager la pompe. En retirant ou nettoyant la grille, ne l'endommagez pas. Toute particule étrangère pénétrant dans la pompe peut l'endommager. Ne faites PAS fonctionner le nettoyeur haute pression sans grille.

Enlevez le filtre à tamis et procédez à son rinçage par circulation inverse afin d'en déloger les impuretés. Remplacez-le immédiatement.

ENTRETIEN DU MOTEUR

Durant les mois d'hiver, il peut y avoir des conditions atmosphériques rares qui pourrait geler le carburateur. Si ceci se produit, le moteur peut mal tourner, perdre de la puissance et s'arrêter. Ce problème passager peut être solutionné en dirigeant un peu d'air chaud du moteur vers le carburateur.

REMARQUE: Reportez-vous au page 22 et 23 pour l'utilisation et l'entretien du moteur.

RANGEMENT

RANGEMENT DE LA POMPE

Si vous devez ranger votre nettoyeur à haute pression dans un endroit où la température est sous 0°C, vous pouvez réduire les risques de dommages en utilisant la démarche suivante:

1. Coupez l'alimentation en eau et relâchez la pression dans le pistolet pulvérisateur en appuyant sur la gâchette. Débranchez le tuyau d'arrosage de la laveuse à pression tout en assurant le raccordement du flexible haute pression.
2. Mettez l'appareil sur le côté, la connexion d'entrée vers le haut.
3. Insérez un petit entonnoir (pour éviter les fuites) dans l'orifice d'entrée et versez-y environ 1/4 tasse d'antigel.
4. Débranchez le fil de la bougie.
5. Sans raccorder le tuyau d'arrosage, tirez sur le mécanisme de rappel plusieurs fois afin de faire circuler l'antigel dans le système de la pompe. Continuez à ajouter de l'anti-gel et de tirer sur le mécanisme de rappel jusqu'à ce que l'anti-gel sorte en tirant sur la gâchette. Débranchez le tuyau haute pression. L'anti-gel servira à empêcher la rouille durant l'entreposage et aidera à empêcher les pistons de coller.
6. Mettez l'appareil debout.

3. Versez environ une cuillerée à café d'huile à moteur dans le trou de la bougie, tirez sur le lanceur à rappel plusieurs fois et remplacez la bougie. Puis tirez sur le démarreur lentement jusqu'à ce que vous sentiez une pression accrue indiquant que le piston est en mode de compression et laissez-le ainsi. Ceci ferme les soupapes d'entrée et d'échappement afin d'éviter que l'intérieur du cylindre ne rouille.
4. Couvrez le nettoyeur haute pression et rangez-le dans un endroit propre et sec, bien ventilé et loin de flammes nues et d'étincelles.

REMARQUE: Vous minimiserez les dépôts de gomme de carburant durant le rangement en utilisant un additif d'essence, tel que Coleman® Powermate® Generator Fuel Additive ou l'équivalent. Un tel adjuvant peut s'ajouter à l'essence dans le réservoir du moteur ou à l'essence du contenant de rangement.



ATTENTION

Avant de remettre l'appareil en marche, dégelez toute glace des tuyaux de nettoyeur, du pistolet de pulvérisation et de la baguette.

Une autre méthode pour réduire les risques de gel est de vidanger votre appareil comme suit:

1. Arrêtez le nettoyeur à haute pression et retirez le tuyau d'alimentation et le tuyau à haute pression. Appuyez sur la gâchette du pistolet de décharge afin de drainer l'eau de la baguette et du tuyau.
2. Remettez en marche le nettoyeur à haute pression et laissez-le fonctionner brièvement (environ 5 secondes) jusqu'à ce qu'il n'y ait plus d'eau qui s'écoule de la sortie à haute pression.

RANGEMENT DU MOTEUR

Lorsque le nettoyeur haute pression n'est pas utilisé ou lorsqu'il est rangé pour plus d'un mois, suivez ces instructions:

1. Ajoutez de l'huile à moteur jusqu'au niveau supérieur.
2. Vidangez l'essence du réservoir, de la tuyauterie, de la soupape et du carburateur.

PROBLÈME	CAUSE POSSIBLE	CORRECTION
Le moteur ne se met pas en marche ou arrête en pleine manoeuvre.	Commande d'arrêt de bas niveau d'huile.	Faites le plein d'huile du moteur.
	Interrupteur du moteur n'est pas sur "ON".	Placez l'interrupteur sur "ON".
	Augmentation de la pression dans les tuyaux	Pressez la gâchette.
Le moteur surchauffe	La buse est bloquée.	Nettoyez la buse.
	Pression excessive.	Réduisez la pression en utilisant le bouton d'ajustement de pression.
De l'eau ou de l'huile fuit du bas de la pompe.	De légères fuites sont normales.	En cas de fuites trop importantes, appelez le service clientèle.
La pression augmente lorsque le pistolet est fermé.	La soupape de dérivation ne fonctionne pas correctement.	Appelez le service clientèle.
Le moteur tourne mais la pompe n'arrive pas à la pression maximale ou a une pression irrégulière.	Le robinet est fermé.	Ouvrez le robinet.
	L'appareil a été soumis à des températures au-dessous de 0°C.	Laissez l'appareil atteindre une température plus élevée, tuyau, poignée pistolet et lance compris.
	Alimentation en eau insuffisante.	Fournissez un minimum de 4 gpm à 20 psi.
	Le filtre de l'alimentation en eau est bouché	Nettoyer le filtre.
	Le tuyau d'arrosage est plié.	Retendez le tuyau d'arrosage.
	Buse de la baguette est usée ou endommagée	Remplacez la buse.
	Il y a de l'air dans la pompe.	Laisser le Nettoyeur à haute pression tourner avec le pistolet ouvert et la lance enlevée jusqu'à ce que l'eau sorte en débit régulier.
	Le bouton de pression réglable n'est pas réglé à la position maximale.	Réglez à la position maximale.
	Les valves d'aspiration ou d'écoulement sont bouchées ou usées.	Appelez le service clientèle.
	La soupape de dérivation ne fonctionne pas efficacement.	Appelez le service clientèle.
L'injection de savon ou de cire ne se fait pas	Le tube d'injection n'est pas fermement raccordé à la lance.	Poussez fermement dans l'appareil.
	Le tube est filé ou fendu.	Remplacez le tube.
	Mauvais buse.	Changez pour la buse à basse pression.
	Injecteur n'est pas en marche.	Tournez le col vers la gauche.
	La buse est bouchée.	Nettoyer la buse.
	Le filtre du tube d'injection est bouché.	Nettoyer le filtre.
	Du savon a séché dans l'injecteur.	Dissolvez le savon en faisant passer de l'eau chaude dans le tube d'injection.
Gâchette ne bouge pas	Verrou de sécurité est enclenché.	Dégagez le verrou de sécurité.
Eau dans le carter.	Forte humidité.	Changez l'huile plus fréquemment.
	Joint usés.	Appeler le service Clients.
Fonctionne bruyamment.	Roulements usés.	Appelez le service clientèle.
	Air mêlé à l'eau.	Vérifiez les lignes d'arrivée pour obstruction et/ou mauvaise taille.
Fonctionne difficilement/par à coup avec des chutes de pression.	Rembourrage usé.	Appelez le service clientèle.
	Arrivée obstruée.	Vérifiez le système pour arrêt, fuite d'air, ligne d'arrivée à la pompe de taille incorrecte.
	Contrôleur de détente.	Vérifiez le fonctionnement du contrôleur de détente.
	Air mêlé à l'eau.	Vérifiez les lignes d'arrivée pour obstruction et/ou mauvaise taille.
Température de carter élevée.	Mauvais type d'huile.	Utilisez l'huile recommandée.
	Mauvaise quantité d'huile dans le carter.	Ajustez le niveau d'huile pour la bonne quantité

GARANTIE LIMITÉE

Couverture limitée : Powermate Corporation (la compagnie) garantit au revendeur d'origine en Amérique du Nord qu'elle réparera ou remplacera, sans frais, toutes les pièces que la compagnie ou que son représentant du service autorisé auront déterminé comme étant défectueuses du point de vue du matériel ou de la fabrication. La garantie couvre les coûts de remplacement des pièces et de main-d'œuvre pour tout défaut matériel ou de fabrication.

Ce qui n'est pas couvert :

- Les frais de transport pour envoyer le produit à la compagnie ou à son représentant du service autorisé pour effectuer le travail couvert par la garantie, les frais d'expédition au client des produits réparés ou remplacés. Ces frais doivent être assumés par le client.
- Le moteur peut être couvert exclusivement par une garantie distincte du fabricant du moteur, tel que prévu dans le guide d'utilisation du moteur (si inclus).
- Les dommages causés par un abus ou un accident, et les effets de la corrosion, de l'érosion ainsi que de l'usure normale.
- La garantie est annulée si le client n'arrive pas à garder et faire fonctionner le produit conformément aux directives et aux recommandations de la société formulées dans le guide d'utilisation.
- La garantie s'applique uniquement si le produit est utilisé à des fins d'une application du consommateur seulement, et celle-ci ne s'applique pas si le produit est utilisé dans le cadre d'applications commerciales ou d'entreprise, ou à titre d'équipement de location.
- La compagnie ne paiera pas de réparation ou des ajustements au produit, ou pour les coûts ou main-d'œuvre, exécuté sans l'autorisation préalable de la compagnie.

Période couverte par la garantie : Un (1) an à compter de la date d'achat. En ce qui concerne l'entretien couvert par la garantie, le client doit présenter une preuve de la date d'achat et il doit aviser la compagnie au cours de la période couverte par la garantie.

Pour tout ce qui touche l'entretien couvert par la garantie :

Composez sans frais le 1 800 445-1805, ou écrivez à Powermate Corporation, Product Services, 4970 Airport Road, P. O. Box 6001, Kearney, NE 68848 É.-U.

EXCLUSIONS ET LIMITATIONS : LA COMPAGNIE NE PRÉSENTE AUCUNE AUTRE GARANTIE, EXPRESSE OU IMPLICITE. LES GARANTIES IMPLICITES, INCLUANT LES GARANTIES DE QUALITÉ MARCHANDE ET DE CONFORMITÉ AUX BESOINS SONT, PAR LA PRÉSENTE, ABANDONNÉES. L'ENTRETIEN COUVERT PAR LA GARANTIE DÉCRIT CI-DESSUS EST UN RECOURS EXCLUSIF EN VERTU DE CETTE GARANTIE. LA RESPONSABILITÉ POUR DES DOMMAGES ACCESSOIRES ET INDIRECTS EST EXCLUE JUSQU'À LA LIMITE AUTORISÉE PAR LA LOI.

Cette garantie vous donne des droits spécifiques reconnus par la loi. Vous pouvez également bénéficier de certains autres droits, lesquels varient d'une province (État) à l'autre. Certaines provinces (ou certains États) n'autorisent pas de clauses de renonciation des garanties implicites ou de limites à l'égard de dommages accessoires ou indirects, ainsi, les clauses de renonciation et les exclusions ci-dessus peuvent ne pas s'appliquer à vous.

ENTRETIEN PÉRIODIQUE

ARTICLE	REMARQUES	Quotidiennement (Avant de mettre en marche)	Initiale 20 heures	Chaque 50 heures	Chaque 100 heures
Bougie d'allumage	Vérifier l'état. Ajuster l'écartement des électrodes et nettoyer. Remplacer selon le besoin.			ü	
Huile à moteur	Vérifier le niveau d'huile.	ü			
	Remplacer.		ü		ü
Filtre à air	Nettoyer et remplacer selon le besoin.			ü	
Filtre à carburant	Nettoyer le robinet à essence et la crépine du réservoir de carburant. Remplacer selon le besoin.				ü
Canalisation de carburant	Vérifier la canalisation de carburant pour déceler toute fissure ou tout autre dommage. Remplacer selon le besoin.	ü			
Système d'échappement	Vérifier pour déceler toute fuite. Resserrer ou remplacer le joint d'étanchéité, le cas échéant.	ü			
	Vérifier le grillage du silencieux. Nettoyer et remplacer selon le besoin.				ü
Carburateur	Vérifier le fonctionnement du volet de départ.	ü			
Circuit d'allumage	Vérifier le fonctionnement du lanceur à rappel.	ü			
Raccord et attaches	Vérifier. Remplacer selon le besoin				ü

5. Fermez la vanne de fermeture du carburant (s'il y en a une) si le moteur doit être rangé ou transporté.
6. Si l'on utilise, un couvercle, ne l'installez pas jusqu'à ce que l'appareil soit refroidi.

ENTRETIEN

LA BOUGIE D'ALLUMAGE

Enlevez la bougie et nettoyez la section des électrodes avec une brosse en acier ou du papier de verre. Ensuite, réglez l'intervalle d'allumage à 0,7 - 0,8 mm (.028/.031 po) en ajustant l'électrode négative. Remettez la bougie d'allumage en place en la serrant au couple approprié : 14 pi-lb (20 N.m)



ATTENTION

La bougie de rechange doit être exactement de même type que celle qui a été enlevée. Une bougie mal choisie peut faire surchauffer le moteur, le faire émettre de la fumée ou mal fonctionner.

LE TYPE D'HUILE

Utilisez une huile neuve et de bonne qualité, grade SE, SF ou SD. L'huile à utiliser dépend de la température à laquelle le moteur sera actionné.

Au dessous 32° F (0° C)SAE 10W, 10W-30, ou 10W-40
 32 à 80° F (0 à 25° C)SAE 20W, 10W-30, ou 10W-40
 80 à 95° F (25 à 35° C)SAE 30W, 10W-30, ou 10W-40
 Ci-dessous 95° F (35° C)SAE 40W

REMPACEMENT D'HUILE

1. Remplacer l'huile lorsque le moteur est réchauffé.
2. Placer la génératrice sur une surface de niveau.
3. Enlever le bouchon de remplissage d'huile.
4. Ouvrir le bouchon de vidange d'huile et laisser l'huile se vidanger complètement dans un récipient placé en-dessous du moteur.
5. Vérifier les joints d'étanchéité. Remplacer selon le besoin.
6. Réinstaller le bouchon de vidange d'huile et remplir le moteur d'huile propre.
7. Remettre le bouchon de remplissage d'huile en place.

NETTOYAGE DU FILTRE À AIR

1. Dévisser le couvercle du filtre à air.
2. Retirer l'élément filtrant et le laver à fond dans du solvant.
3. Verser une petite quantité d'huile dans l'élément filtrant et fluer doucement tout excédent d'huile.
4. Remettre l'élément filtrant et le couvercle du filtre à air en place.
5. S'assurer de la parfaite étanchéité du pourtour du couvercle du filtre.

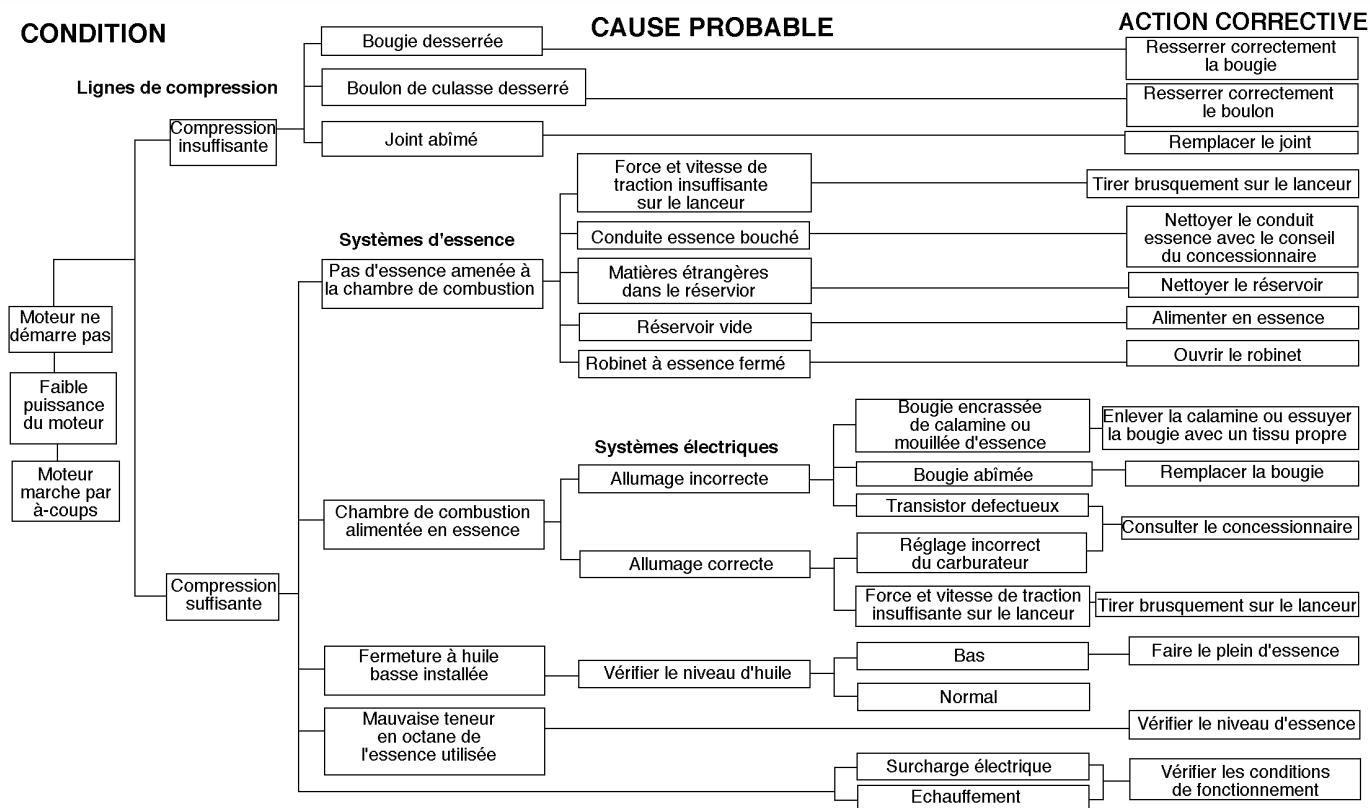
NETTOYAGE DU FILTRE DU ROBINET À ESSENCE

1. Retirer la coupelle du bas du robinet à essence au moyen d'une petite clé.
2. Retirer le filtre du robinet à essence.
3. Nettoyer le filtre et la coupelle, puis les rincer et les remettre en place.

NETTOYAGE DE LA CRÉPINE DU RÉSERVOIR À CARBURANT

1. Retirer la crépine de carburant en plastique; celle-ci est située en-dessous du bouchon du réservoir de carburant.
2. Laver la crépine dans du solvant, puis la remettre en place.

DEPANNAGE DU MOTEUR



CARACTERISTIQUES DU MOTEUR

TypeA quatre temps, à un cylindre, à essence, OHV
Cylindrée171 cc
CV maximum5.5 cv à 3600 tr/min
Système de démarrageA détente (allumage électronique)
Système de propulsionAccouplement direct, bilettequin effilé
Capacité d'huile20 oz
BougieChampion RN14YC ou l'équivalent
RégulationMécanique (ajustable)
Système de refroidissementRefroidissement à air forcé
Alésage x course66,0 x 50,0 mm
Type de carburateurA flotteur
Type filtreElément en mousse

DÉCLARATION DE GARANTIE DE CONFORMITÉ AUX RÈGLEMENTS ANTIPOLLUTION DE LA CALIFORNIE DROITS ET OBLIGATIONS EN VERTU DE LA GARANTIE

Le California Air Resources Board et la société Powermate Corporation (ci-après "Powermate") sont fiers d'expliquer la garantie de conformité du système de recyclage des vapeurs de carburant ("EECS") de votre laveuse à pression 2006. Dans l'état de la Californie, les nouvelles laveuses à pression doivent être conçues, fabriquées et équipées pour être conformes aux règlements antipollution stricts de l'État en matière de protection de l'environnement. Powermate doit garantir l'EECS de votre laveuse à pression pour les périodes énumérées ci-dessous, pourvu que votre laveuse à pression n'ait fait l'objet d'aucun usage abusif, négligence ou entretien inapproprié.

Votre EECS comprend des pièces telles que : les canalisations de carburant.

COUVERTURE DE GARANTIE DU FABRICANT :

Ce système de recyclage des vapeurs de carburant est garanti pour une période de deux ans. La période de la garantie commence à la date de livraison de la laveuse à pression à l'acheteur ultime.

Powermate garantit à l'acheteur ultime et à tout acheteur subséquent que la laveuse à pression a été (i) conçue, fabriquée et équipée de manière à être conforme à tous les règlements applicables; et que (ii) celle-ci est exempte de défauts de matériel et de fabrication qui provoquent la défaillance identique d'une pièce sous garantie à tous les égards matériels que la pièce décrite dans la demande de certification de Powermate.

Si toute pièce de votre laveuse à pression reliée aux vapeurs de carburant est défectueuse, celle-ci sera réparée ou remplacée par Powermate.

RESPONSABILITÉS DE LA GARANTIE DU PROPRIÉTAIRE :

À titre de propriétaire de la laveuse à pression, vous êtes responsable de l'exécution de l'entretien requis, tel qu'il figure dans votre guide du propriétaire. Powermate recommande que vous conserviez tous les reçus de l'entretien dont votre laveuse à pression, mais Powermate ne peut refuser la garantie pour seule cause du manque de reçus. Toutefois, vous devez être conscient que Powermate peut refuser votre garantie si votre laveuse à pression ou l'une de ses pièces a fait défaut en raison d'un usage abusif, d'une négligence ou d'un entretien inapproprié ou de modifications non autorisées.

Vous êtes responsable de remettre votre laveuse à pression à un centre de service de garantie agréé de Powermate dès que l'anomalie se manifeste. Les réparations au titre de la garantie doivent être effectuées dans un laps de temps raisonnable ne devant pas dépasser 30 jours. Pour toute question concernant votre couverture de garantie, veuillez appeler le Service des produits Powermate au 1 800 445-1805.

DÉTAILS DE LA GARANTIE

Sous réserve de certaines conditions et exclusions énumérées ci-dessous, la garantie sur les pièces de recyclage de carburant est la suivante :

- (1) Toute pièce sous garantie dont le remplacement n'est pas prévu à titre d'entretien requis dans les consignes écrites fournies est garantie pour la période précitée. Si la pièce fait défaut pendant la période de garantie, la pièce sera réparée ou remplacée par Powermate conformément à la sous-section (4) ci-dessous. Toute telle pièce réparée ou remplacée en vertu de la garantie sera toujours protégée en vertu de la garantie pour le reste de la période.
- (2) Toute pièce sous garantie dont seulement l'inspection régulière est prévue selon les consignes écrites fournies est garantie pour la période de garantie précitée. Toute telle pièce réparée ou remplacée en vertu de la garantie sera toujours protégée en vertu de la garantie pour le reste de la période de garantie.
- (3) Toute pièce sous garantie dont le remplacement est prévu à titre d'entretien requis dans les consignes écrites fournies est garantie pour la période précédant la première date prévue de remplacement de cette pièce. Si la pièce fait défaut avant la première date de remplacement prévue, la pièce sera réparée ou remplacée par Powermate conformément à la sous-section (4) ci-dessous. Toute telle pièce réparée ou remplacée en vertu de la garantie sera toujours protégée en vertu de la garantie pour le reste de la période précédant la première date de remplacement prévue pour cette pièce.
- (4) La réparation ou le remplacement de toute pièce sous garantie en vertu des dispositions de la garantie énoncées dans la présente doit être effectué chez un centre de service de garantie agréé de Powermate, sans frais pour le propriétaire.
- (5) Le propriétaire de la laveuse à pression ne devra payer aucuns frais pour la main-d'œuvre de diagnostic directement reliée avec le diagnostic d'une pièce défectueuse sous garantie reliée aux vapeurs de carburant, pourvu que ledit travail de diagnostic soit effectué chez un centre de service de garantie agréé de Powermate.
- (6) Powermate est responsable des dommages aux autres composants de moteur ou de laveuse à pression découlant directement d'une défaillance sous garantie de toute pièce sous garantie.
- (7) Tout au long de la période de garantie précitée de la laveuse à pression, Powermate maintiendra un approvisionnement des pièces sous garantie en nombres suffisants pour satisfaire à la demande de telles pièces.
- (8) Toute pièce de rechange peut être utilisée dans l'exécution de tout entretien ou réparation sous garantie et doit être offerte sans frais pour le propriétaire. Une telle utilisation ne réduira pas les obligations de Powermate à l'égard de la garantie.
- (9) Les pièces ajoutées ou modifiées qui ne font pas l'objet d'une homologation par Air Resources Board ne peuvent être utilisées. L'utilisation par l'acheteur ultime de toute pièce ajoutée ou modifiée ne faisant pas l'objet d'une homologation donnera lieu à un refus de la réclamation au titre de la garantie. Powermate ne pourra être tenue responsable des défaillances de pièces sous garantie découlant de l'utilisation d'une pièce ajoutée ou modifiée ne faisant pas l'objet d'une homologation.
- (10) La réparation ou le remplacement de toute pièce sous garantie autrement admissible à une couverture de garantie peut être exclu de ladite couverture de garantie si la laveuse à pression a fait l'objet d'un usage abusif, d'une négligence ou d'un entretien inapproprié, et si un tel usage abusif, négligence ou entretien inapproprié s'avère la cause directe du besoin de réparation ou de remplacement de la pièce.

PIÈCES SOUS GARANTIE :

Les pièces énumérées ci-dessous sont couvertes par la garantie :

Canalisation de carburant.

Felicidades por la compra de la Lavadora a Presión Coleman® Powermate®. Ya sea que se trate de una limpieza liviana en el hogar o de las tareas de limpieza más difíciles, las lavadoras a presión Coleman® Powermate® están hechas para darle toda la potencia necesaria. La lavadora a presión Coleman® Powermate® le será útil por muchos años si sigue los procedimientos correctos de interrupción, instalación y operación; además brinde mantenimiento preventivo al equipo de acuerdo con las indicaciones del manual del motor que se incluye con la máquina.

Lo más importante es su seguridad y la de quienes lo rodean. Recuerde observar las reglas mínimas de seguridad cuando utilice la lavadora a presión Coleman® Powermate® a la potencia necesaria para desempeñar sus tareas de limpieza.

Gracias por depositar su confianza en nuestro producto.

Powermate Corporation

SERVICIO PARA LOS CLIENTES

Para obtener informes sobre la póliza de servicio o para ordenar un reemplazo de partes o de accesorios llame nuestra División de Servicio
1-308-236-4527
según el horario central de los EE.UU.


Sírvase tener disponible la información siguiente:





1. El número del modelo.
2. El número de la serie.
3. Fecha y el lugar de compra.
4. Número de las piezas en caso de ordenar repuestos.

Powermate Corporation
4970 Airport Road
P.O. Box 6001
Kearney, NE 68848
Attention: Warranty Service Department

Símbolos de seguridad

La siguiente simbología se utiliza en todo este manual. Siga las instrucciones que se proporcionan para garantizar su seguridad.

 **PELIGRO**


   



Indica una situación de inminente peligro, la cual, si no se evita, podría ocasionar lesiones graves e incluso la muerte.

 **ADVERTENCIA**

Indica una situación de peligro potencial, la cual, si no se evita, podría ocasionar lesiones severas e incluso la muerte.

 **PRECAUCIÓN**

Indica que prevalece una situación de peligro potencial, la cual, si no se evita, podría ocasionar lesiones menores o moderadas, o bien, daño al producto.

NOTA: Indica información sobre funcionamiento o mantenimiento útil para mejorar el rendimiento o la operación del equipo.

Se deben observar las siguientes Precauciones de Seguridad cuando se utilice, se almacene o se le dé servicio a la lavadora a presión Coleman® Powermate® o a sus motores, para reducir el riesgo de lesiones personales. Si se pasan por alto o se ignoran estas precauciones se podrían sufrir lesiones personales o se podría dañar el producto.

ADVERTENCIA



- Lea cuidadosamente este manual y familiarícese con el equipo. Tenga en cuenta las aplicaciones, los riesgos potenciales y las limitaciones de la unidad.
- Conozca su equipo. Considere las aplicaciones, limitaciones y los riesgos potenciales específicos de su unidad.
- Almacene la lavadora a presión con el tanque para combustible vacío en un área con suficiente ventilación. Nunca se debe almacenar combustible cerca del lavador a presión.
- Nunca haga funcionar el equipo si se presenta cualquiera de estas condiciones:
 - a. Un cambio evidente en la velocidad del motor.
 - b. Una pérdida evidente de la presión.
 - c. El motor no enciende.
 - d. Presencia de humo o de llamas.
 - e. Compartimento cerrado.
 - f. Vibración excesiva.
 - g. Lluvia o inclemencias del tiempo.
- Nunca se debe dirigir la presión del agua hacia el cableado eléctrico ni hacia la lavadora.
- No permita que la manguera entre en contacto con el silenciador caliente del escape.
- El equipo se debe colocar sobre una superficie resistente y firme.
- Retire la bujía o el cable para evitar que el equipo se encienda accidentalmente cuando no se esté utilizando o antes de retirar la manguera de alta presión.
- Mantenga la lavadora a presión limpia y sin aceite, lodo ni ningún otro material extraño.
- No se ponga ropa holgada, joyas ni ningún otro accesorio que pudiera trabarse en el motor.
- Nunca dirija el agua a presión hacia las personas ni hacia los animales.
- Nunca permita que los niños operen la lavadora a presión en ningún momento .
- Use las dos manos para controlar la varilla.

ADVERTENCIA



- No toque la boquilla ni el atomizador de agua mientras el equipo esté funcionando.
- Utilice gafas protectoras cuando opere el equipo.
- Sólo utilice las mangueras y boquillas aprobadas.
- La pistola de gatillo no debe estar atascada mientras el equipo está en marcha.
- Nunca haga nudos ni retuerza la manguera de alta presión.
- Todas las conexiones de la manguera deben estar selladas adecuadamente.
- Antes de arrancar la lavadora a presión en un ambiente frío verifique que no se haya formado escarcha en ninguna parte del equipo.
- Utilice sólo las sustancias químicas recomendadas.
- Use el equipo únicamente en exteriores.
- Mientras utiliza la lavadora a presión, colóquela retirada del lugar que desee limpiar.
- Para evitar que se libere el agua accidentalmente, la pistola atomizadora se debe asegurar bloqueando el gatillo cuando no esté en uso.
- No haga funcionar la lavadora a presión por más de cinco minutos sin presionar el gatillo ya que esto puede dañar la bomba.
- Periódicamente revise que el sistema de combustible no tenga salideros ni señales de deterioro tales como una manguera inflada o esponjada, abrazaderas flojas o ausentes, o daños en el tanque o en la tapadera. Se deben corregir todos los defectos antes de utilizar el equipo.
- No toque el silenciador del escape cuando esté caliente.
- Dele servicio al equipo, hágalo funcionar y llénelo de combustible, bajo las siguientes condiciones:
 - a. Ventilación adecuada.
 - b. Llène de combustible en un área bien iluminada.
 - c. Evite que el combustible se derrame y nunca llene el tanque mientras el lavador a presión esté encendido.
 - d. Evite cualquier fuente de ignición cuando esté llenando el tanque de combustible.
 - e. Utilice combustible sin plomo de 85 octanos como mínimo.
- No fume cerca de la lavadora a presión.
- No utilice mangueras de alta presión dañadas.

CARACTERISTICAS DE SEGURIDAD

VALVULA DE DESCARGA DE CALOR

El lavador está provisto de una válvula de descarga de calor que evita que la bomba se recaliente en caso de que la pistola de pulverización esté cerrada por largo tiempo o se haya obstruido la boquilla. Sin embargo, su objetivo principal es trabajar como sistema de refuerzo y su tarea está totalmente orientada a evitar que la bomba se recaliente.

Recomendamos desconectar el lavador a presión si se va a interrumpir su uso por más de cinco minutos. Esto le evitará desgaste prematuro a la unidad, reducirá el consumo de combustible y extenderá el tiempo de vida útil de la bomba evitando el calor.

DISPOSITIVO DE SEGURIDAD

Para prevenir una descarga accidental de agua a alta presión, accione el dispositivo de seguridad del gatillo mientras no esté usando el lavador a presión (Consulte las instrucciones de operación).

APAGADO POR BAJO NIVEL DE ACEITE

La unidad está equipada con un sensor de bajo nivel de aceite. Si el nivel de aceite es inferior al que se requiere, el lavador se apagará automáticamente. Esto impide que su lavador continúe funcionando sin la cantidad adecuada de lubricación.

Si se apaga el lavador y el nivel de aceite está de acuerdo con las especificaciones, cerciórese que el lavador esté apoyado sobre un ángulo de manera que haga salir el aceite. Para lograr esto, coloque el equipo sobre una superficie plana. Si el motor no arranca, tal vez el nivel de aceite no sea suficiente como para desactivar el interruptor del nivel de aceite. Asegúrese que el cárter esté completamente lleno de aceite.



PRECAUCIÓN



La bomba se recalentará y podría dañarse si se deja recircular por más de cinco minutos.

SILENCIADOR APAGACHISPAS

PUEDE SER QUE SU PRODUCTO NO ESTE EQUIPADO CON UN SILENCIADOR APAGACHISPAS. Si el producto va a usarse cerca de materiales inflamables, tales como cosechas agrícolas, bosques, arbustos, pastos u otros artículos similares, entonces debe instalarse un apagachispas aprobado. Esto se requiere legalmente en el estado de California, E.U.A. Los estatutos de California, E.U.A. que requieren un apagachispas son las Secciones 13005(b), 4442 y 4443. Los apagachispas también se requieren en algunas de las tierras del Servicio de Bosques de los E.U.A. y también podrían ser requeridos legalmente según otros estatutos y ordenanzas. Un apagachispas aprobado se encuentra disponible con su distribuidor Coleman® Powermate® o puede encargarse de Powermate Corporation, P. O. Box 6001, Kearney, Nebraska 68848 E.U.A. (308) 237-2181.

ESPECIFICACIONES

Máxima presión de entradaHasta 90 PSIG
RPM3600 RPM
Temperatura de los fluidos bombeados . .80°F máximo (27°C)
Puertos de entrada(2) 1/2" BSP
Puertos de descarga(1) 3/8" BSP
Peso9 lbs (4 kg)
Capacidad de aceite de la caja del cigüeñal... 4.7 oz fl (0.14 L)

Consulte al fabricante sobre las necesidades especiales que se deben satisfacer si se utilizará la bomba más allá de alguno de los límites especificados anteriormente.

SELECCIÓN DE BOQUILLA DE PULVERIZACIÓN

A continuación se incluye información referida a las cuatro boquillas provistas con su lavador.

NOTA: La fuerza del pulverizador sobre la superficie que está limpiando aumentará en la medida que usted acerque la varilla a la superficie.

Alta presión de 0° (Roja): El agua corriente descarga es muy agresivo. Uso con extrema cautela hasta prevenir daño hasta el superficie siendo limpiado o lesión hasta persona o animales.

Alta presión de 15° (Amarilla): Esto es el boquilla usado por limpieza aplicaciones. Ella suministrar ancho cobertura y un poderoso agua corriente.

Alta presión de 40° (Blanco): Esto boquilla es usado por limpieza con un ancho cobertura por un mejor área con un poderoso agua corriente.

Baja presión de 65° (Negra): Suministrar presión baja spray y un ancho cobertura. Usado principalmente cuándo operante el sustancia química inyectar aplicar químicos.

ANTES DE LA OPERACIÓN

NOTA: El motor y la bomba de su lavador a presión Coleman® Powermate® tendrán un mejor rendimiento luego de un período de uso inicial de varias horas.

PREPARACION INICIAL

Antes de poner en marcha el lavador a presión, verifique que no hay a piezas sueltas y flojas, ni que se hayan producido daños durante el envío.

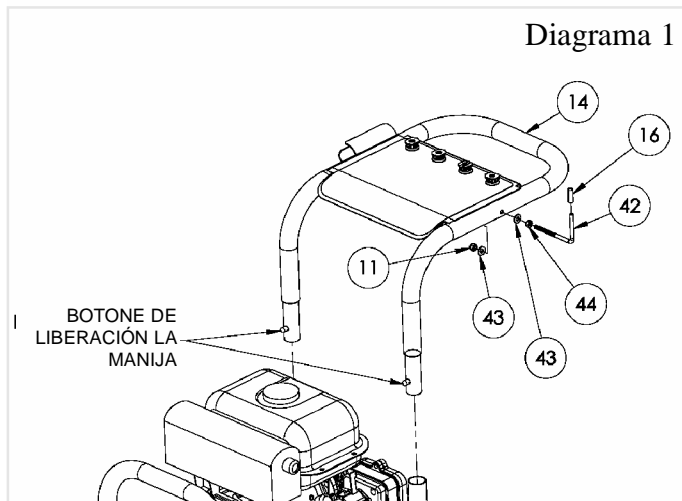
ENSAMBLADO DE MANGUERA Y PISTOLA

NOTA: Alinee las conexiones roscadas cuidando de no dañar las partes roscadas durante el ensamblado. Ajuste bien las conexiones para evitar salideros durante la operación.

Una la manguera a la entrada de la pistola.

INSTALACION DE LA MANIJA

Instale gancho de manga y manija como mostrado en la Diagrama 1.



LUBRICACION DEL MOTOR


NO trate de encender el motor del lavador a presión sin llenar el cárter con la cantidad y clase de aceite que corresponda (Consulte páginas 33 y 34 y Diagrama 2). El motor de su lavador ha sido embalado sin aceite en el cárter. Operar el motor sin aceite le causará daños al motor.

La bomba se envía con aceite. Antes de poner en funcionamiento la lavadora a presión, revise el nivel de aceite de la bomba para asegurarse de que el nivel de aceite esté al nivel requerido por el fabricante de la bomba. (Consulte Diagrama 2). Utilice aceite recomendado por el fabricante de la bomba. ¡NO LA LLENE EXCESIVAMENTE!




Si la bomba no está equipada con una varilla de nivel de aceite o una ventana lateral de vidrio, verifique que la bomba no tenga fugas de aceite. El aceite de la bomba se suministra con la bomba desde la fábrica. Siga la programación de mantenimiento de la bomba que suministra el fabricante para darle el cuidado apropiado.

COMBUSTIBLE

Primeramente llene el tanque con gasolina sin plomo, de automóvil limpia y nueva. (Consulte Diagrama 2). Puede usarse gasolina regular siempre que tenga una clasificación de octanos elevada (mínimo: 85 octanos).

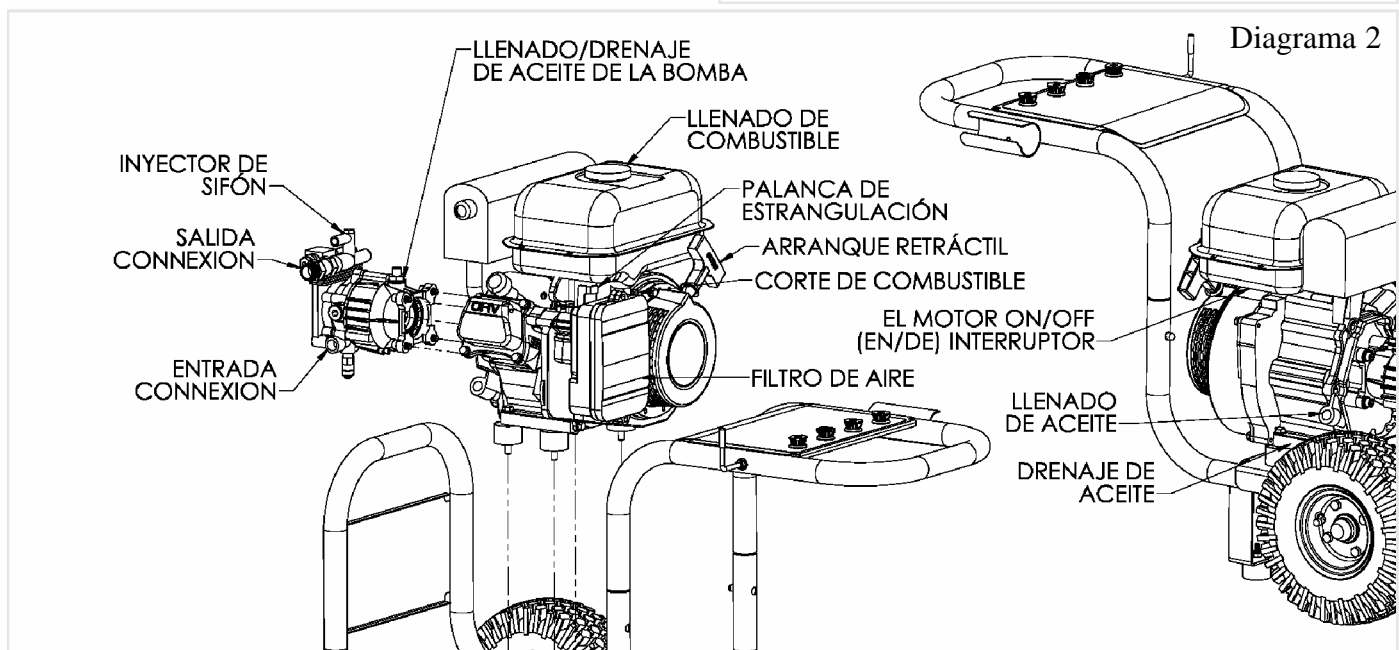


ADVERTENCIA

La gasolina es muy peligrosa. Usted podría llegar a sufrir lesiones graves a causa de incendios provocados por el contacto de gasolina con superficies calientes.

No llene demasiado el tanque. Mantenga un nivel máximo de combustible a 1/2 pulgada por debajo de la parte superior del cuello por donde se llena de combustible. Esto permitirá la expansión durante el clima cálido, evitando así el derrame.



CONEXIONES DE OPERACIÓN

MANGUERA DE ALTA PRESIÓN

Ajuste la manguera de alta presión al accesorio localizado en el bomba. (Consulte Diagrama 2, página 27).

NOTA: No utilice una manga alta de la presión de otro fabricante.

CONEXIÓN DE AGUA

Antes de conectar la unidad, haga correr el agua a través de la manguera de jardín (no se incluye) Para limpiarla de cualquier elemento extraño. Verifique que la rejilla esté limpia y colocada en la entrada de la bomba. Una la manguera de jardín a la entrada de agua del lavador de presión. (Consulte Diagrama 2, página 27).

NOTA: El suministro de agua debe ser de un mínimo de 4 galones por minuto a 20 libras por pulgada cuadrada o de lo contrario se dañaría la bomba.

INSTRUCCIONES DE OPERACIÓN

PROCEDIMIENTO DE ARRANQUE

1. Cerciórese de que el suministro de agua esté conectado y abierto.
2. Suelte la traba de seguridad de la pistola, si está puesta.
3. Para permitir el escape del aire de la manguera, apriete el gatillo de la pistola hasta que haya un chorro parejo de agua saliendo del disparador.
4. Quite la suciedad o materias extrañas de la salida de la pistola y del conector macho de la varilla.
5. Inserte la varilla de la boquilla dentro de la varilla de la pistola y ajuste a mano el accesorio de sujeción.



PRECAUCIÓN



Si la varilla de pulverización no está debidamente asegurada en el lugar, podría ser expulsada por efecto de la alta presión mientras se está operando la pistola, lo cual podría llegar a provocar lesiones o daños.

ENCENDIDO DEL MOTOR (Consulte Diagrama 2, página 27)

1. Revise el nivel de aceite y combustible.
2. Ajuste el cebador cuanto sea necesario.
3. Coloque el interruptor del motor en posición de encendido ("ON").
4. Oprima el gatillo del lavador para liberar la presión mientras hala la cuerda del arrancador del motor con un tirón rápido y parejo. De lo contrario podría acumularse demasiada presión y dificultaría el encendido de la unidad.
5. Mientras se calienta el motor, vuelva a reajustar el cebador.

DE INYECCIÓN DE QUÍMICOS



PRECAUCIÓN

Este lavador se usa sólo con detergentes líquidos para lavado de autos, fabricados especialmente para lavadores a presión, y con jabones suaves. Recomendamos el uso de químicos para lavadores a presión Coleman® Powermate®. Use únicamente productos químicos que sean compatibles con las piezas de aluminio y de bronce del lavador a presión. Los jabones en polvo pueden obstruir el sistema de inyección. Utilice los químicos siguiendo siempre las instrucciones de fábrica. Powermate Corporation no asume ninguna responsabilidad por daños causados por químicos inyectados a través del lavador a presión.

1. Una el ensamblado del tubo de inyección al inyector de sifón de la bomba. (Consulte Diagrama 2, página 27).
 2. Abra un recipiente de producto químico Coleman® Powermate® para el lavador de presión y colóquelo junto a la unidad cerca del tubo de inyección.
 3. Inspeccione visualmente el filtro en el extremo del tubo de inyección para verificar que no esté obstruido.
 4. Introduzca el tubo de inyección en el recipiente hasta el fondo del mismo.
 5. Si la inyección del químico se puede ajustar, defina la velocidad de inyección al girar la válvula hacia la derecha hasta que esté apretada. Luego, gire la válvula hacia la izquierda para incrementar la velocidad del inyector y a la derecha para reducir la velocidad del inyector.
 6. Si su lavadora a presión está equipada con boquillas removibles, retire la boquilla de presión alta de la varilla e instale la boquilla negra de inyección. La solución se mezclará automáticamente con el agua y se descargará a través de la boquilla.
 7. Si su lavadora de presión está equipada con una boquilla ajustable, se debe utilizar la posición de la boquilla de presión baja cuando ponga en funcionamiento el inyector de químicos para aplicar químicos. Cuando se requiere baja presión, tome y saque la cubierta de la boquilla de la pistola.
- NOTA:**
En algunos modelos, si el acelerador del motor no se encuentra en posición de "rápido", puede disminuir o detenerse la inyección.

TECNICAS DE LIMPIEZA

TECNICAS DE LIMPIEZA

Cuando use el lavador a presión, muchas tareas de limpieza se pueden resolver usando solamente agua, pero para la mayoría de las tareas es mejor usar también detergente. El detergente asegura un remojo rápido de la suciedad y permite que el agua a alta presión penetre mejor y limpie con más efectividad.

Los productos químicos Coleman® Powermate® para el lavador de presión están formulados especialmente para usarse con su lavador de presión.

APLICACIÓN DE JABÓN O DESGRASADOR

1. Aplique la solución a una superficie de trabajo SECA. Sobre una superficie vertical, aplique horizontalmente de lado a lado comenzando desde el inferior para evitar rayones.
NOTA: No se recomienda humedecer la superficie, ya que diluye el detergente y reduce la habilidad de limpieza. Evite trabajar en superficies calientes o bajo la luz directa del sol para minizar las posibilidades de daño químico de las superficies pintadas. Pueden presentarse daños en la superficie pintada si deja que los químicos se sequen en la superficie. Sostenga la boquilla lo suficientemente lejos para evitar daños a la superficie.
2. Deje que los productos químicos permanezcan en la superficie por un corto tiempo antes de enjuagarlos.
3. Enjuague con agua limpia a alta presión. En una superficie vertical, primero enjuague empezando por la parte inferior y continuando hacia arriba, luego enjuague desde arriba hacia abajo. Sostenga la boquilla de 6 a 8 pulgadas de la superficie a un ángulo de 45° usando el Rociador plano como una herramienta para descortezar en lugar de un cepillo para restregar.

APLICACION DE CERA

1. Inmediatamente después de limpiar, aplique Cera Coleman® Powermate® para el lavador de presión. Coloque el tubo de inyección en el recipiente de la cera.
2. Aplique la cera en pequeñas cantidades formando una capa uniforme. Aplique a superficies húmedas empezando desde la parte inferior y continuando hacia arriba para obtener una distribución uniforme y evitar rayones.
3. Quite el tubo de succión del frasco de cera y enjuague la cera sobrante.

NOTA: SI NO SE QUITA LA CERA SOBRANTE, PUEDE QUEDAR UNA TERMINACIÓN OPACA.

4. Seque con un trapo para reducir manchas del agua.

FIN DE LA OPERACIÓN

Fin de la operación

Al terminar de utilizar el sistema de inyección química, retire el tubo del contenedor. Con el equipo a baja presión inyecte agua limpia por el tubo y el sistema de inyección, colocando el tubo en un recipiente con agua limpia. Mantenga en marcha el equipo hasta que el sistema se haya limpiado completamente.

www.powermate.com

MANTENIMIENTO

CONEXIONES

Las conexiones en las mangueras del lavador de presión, de la pistola y de la varilla de rocío deberán limpiarse regularmente y lubricarse con grasa para evitar salideros y daños a los aros tóricos.

BOQUILLA

Si le resulta difícil regular la boquilla a las posiciones de alta/baja presión, comuníquese con el Departamento de Servicio para el Cliente de Coleman® Powermate® para solicitar asesoramiento sobre el adecuado procedimiento de limpieza y lubricación.

La obstrucción de la boquilla provoca que la presión de la bomba sea demasiado alta y es necesaria una limpieza inmediata.



ADVERTENCIA



El limpiador para la boquilla sólo se debe usar cuando la varilla de rociar esté desconectada de la pistola, o podrían ocurrir lesiones personales.

1. Separe la varilla de la pistola.
2. Limpie la boquilla con un trozo de alambre rígido tal como un ganchillo de papel.
3. Purgue la boquilla en sentido regresivo con agua.
4. Reconecte la varilla a la pistola.
Arranque de nuevo el lavador de presión y oprima el gatillo de la pistola de rocío. Si la boquilla todavía está obstruida o parcialmente obstruida, repita los pasos anteriores de 1 al 4.
Si el procedimiento anterior no limpia la boquilla, reemplácela con una nueva boquilla.

REJILLA DE AGUA

El lavador está equipado con una rejilla de entrada de agua para proteger la bomba. Si no se mantiene limpia la rejilla, el caudal de agua que va al lavador se verá limitado y podría dañarse la bomba. Trate de no dañar la rejilla al quitarla o limpiarla. Cualquier elemento extraño podría dañar la bomba. No opere el lavador a presión sin la rejilla en su lugar.

Retire el filtro y aplique agua por la parte de atrás a fin de retirar las impurezas del mismo. Colóquelo de nuevo de inmediato.

MANTENIMIENTO DEL MOTOR

Durante los meses de invierno, las inclemencias del tiempo pueden provocar una situación de congelamiento en el carburador. Si ocurre esto, el motor puede empezar a funcionar mal, perder potencia y detenerse. Esta condición temporal puede superarse desviando parte del aire caliente del motor a la zona del carburador.

NOTA: Consulte páginas 33 y 34 para informarse sobre el servicio de mantenimiento.

ALMACENAMIENTO

ALMACENAMIENTO DE LA BOMBA

Si debe guardar el lavador de presión en un sitio donde la temperatura baje a menos de 32°F, puede minimizar el riesgo de daño a su máquina siguiendo este procedimiento:

1. Cierre el suministro de agua y libere la presión de la pistola rociadora al presionar el disparador. Desconecte la manguera de jardín de la lavadora a presión, pero deje conectada la manguera de presión alta.
2. Inclíne la unidad hacia un lado con la conexión de entrada apuntando hacia arriba.
3. Introduzca un embudo pequeño (para evitar derrames) en la entrada y vierta aproximadamente ¼ taza de anticongelante.
4. Desconecte el cable de la bujía.
5. Sin conectar la manguera de jardín, hale varias veces el retroceso para hacer circular el anticongelante en el sistema de la bomba. Siga agregando anticongelante y halando el retroceso hasta que el anticongelante sea expulsado al apretar el gatillo. Desconecte la manguera de alta presión.
6. Ponga el equipo mirando hacia arriba.



PRECAUCIÓN

Antes de arrancar el equipo, limpie el hielo que pueda haber en las mangueras, pistola y varilla de rociar.

Otro método para reducir riesgos de daños por congelamiento es purgar su máquina de la manera siguiente:

1. Detenga el lavador de presión y desprenda las mangueras de suministro y de alta presión. Apriete el gatillo de la pistola de descarga y purgue todo el agua de la varilla y de la manguera.
2. Arranque de nuevo el lavador de presión y déjelo andar brevemente (por 5 segundos) hasta que ya no salga agua de la salida de alta presión.

ALMACENAMIENTO DEL MOTOR

Cuando no se hace funcionar el lavador o se tiene guardado por más de un mes siga las siguientes instrucciones:

1. Corrija el nivel de aceite agregándole hasta el nivel máximo.
2. Vacíe de gasolina el tanque de combustible, la línea de combustible, la válvula de combustible y el carburador.

3. Vierta una cucharadita de aceite de motor a través del orificio de la bujía. Luego jale el arrancador lentamente hasta que sienta que ha aumentado la presión que le indique que el pistón está en su carrera de compresión y déje lo en esa posición. Esto cierra las válvulas de admisión y escape para prevenir que el interior del cilindro se oxide.
4. Cubra el lavador y guárdelo en un lugar seco, limpio, bien ventilado y lejos del fuego o chispas.

NOTA: El uso de aditivos de combustible, como Coleman® Powermate® Generator Fuel Additive o algún otro equivalente, minimizará la formación de residuos de combustible que se deposita durante el almacenamiento. Dicho aditivo puede agregarse a la gasolina en el tanque de combustible o a la gasolina en el recipiente de almacenamiento.

PROBLEMA	CAUSA POSIBLE	CORRECCIÓN
El motor no arranca o se detiene durante la operación.	Cierre por bajo nivel de aceite.	Llene el motor de aceite.
	La llave del motor no se encuentra en posición de encendido a ("ON").	Coloque la llave en posición de ("ON").
El motor está sobrecargado.	Combustible.	Cargue combustible.
	Boquilla parcialmente obstruida. Demasiada presión.	Limpie la boquilla. Reduzca la presión usando el botón de ajuste de presión.
Hay fugas de agua o aceite desde la parte inferior de la bomba.	Una pequeña cantidad de fugas es normal.	Si ocurren fugas excesivas, llame al Departamento de servicio para los Clientes.
La presión aumenta cuando la pistola está cerrada.	La válvula auxiliar no funciona de manea efectiva.	Llame al Departamento de Servicio para los Clientes.
El motor funciona pero la bomba no logra producir la presión máxima o tiene presión irregular.	Grifo cerrado.	Abra el grifo.
	La unidad ha sido almacenada a temperaturas de congelamiento.	Descongele la unidad completamente, incluyendo la manguera, la pistola y la varilla.
	Suministro de agua inadecuado.	Suministre un mínimo de 4 gal. p.min. a 20 p/plug ² .
	La pantalla de entrada de agua está taponada.	Limpie la pantalla.
	Hay un nudo en la manguera de jardín.	Enderezca la manguera.
	Boquilla de varilla gastada o dañada.	Cambie la boquilla.
	Hay aire en la bomba.	Deje que la pressure washer funcione con la pistola abierta y sin la varilla hasta que libere unchorro parejo de agua.
	El botón de ajuste de presión no está colocado en la posición máxima.	Coloque en posición máxima.
	Las válvulas de succión o descarga está taponadas o gastadas.	Llame al Departamento de Servicio para los Clientes.
	La válvula de auxiliar no funciona de manera efectiva.	Llame al Departamento de Servicio para los Clientes.
No hay entrada de productos química.	El tubo de inyección no está bien insertado en la lanza de espuma.	Empuje con fuerza hacia adentro de la máquina.
	El tubo está agrietado o partido.	Cambie el tubo.
	Boquilla equivocada.	Cambie por boquilla de baja presión.
	Inyector desconectado.	Haga girar el collarín en sentido antihorario.
	El colador del tubo de inyección está taponado.	Limpie el colador.
	La boquilla está bloqueada. Hay jabón o cera secos en el inyector.	Limpie la boquilla. Disuelva haciendo pasar agua caliente a través del tubo de inyección.
El gatillo no se mueve. Agua en el cárter.	Está activado el dispositivo de seguridad.	Libere el dispositivo de seguridad.
	Elevado grado de humedad.	Cambie el aceite con mayor frecuencia.
	Sellos gastados.	Llame al Departamento de Servicio para los Clientes.
Operación ruidosa.	Rodamientos gastados.	Llame al Departamento de Servicio para los Clientes.
	Aire mezclado en el agua.	Cambie las líneas de entrada en caso de restricciones y/o calibración inadecuada.
Operación agitada/palpitante con abrupta caída de nivel de presión.	Empaquetadura gastada	Llame al Departamento de Servicio para los Clientes.
	Restricción de entrada.	Revise el sistema para ver si hay obstrucciones, fugas de aire y si los accesorios de entrada tienen el tamaño que corresponde a la bomba.
Elevada temperatura en el cárter.	Descargador	Verifique que el descargador funcione correctamente.
	Aire mezclado com agua.	Verifique que no haya restricciones en las líneas de entrada y/o que tengan la calibración adecuada.
	Grado de aceite equivocado.	Use el aceite que se recomienda.
	Inadecuada cantidad de aceite en el cárter.	Corrija el nivel de aceite a la cantidad corrects.

GARANTIA LIMITADA

Cobertura de la garantía: Powermate Corporation (la Compañía) garantiza al cliente minorista original en América del Norte, que reparará o reemplazará, sin costo alguno, cualesquiera partes que la Compañía o cualquiera de sus representantes de servicio autorizados encuentren defectuosas en sus materiales o en su fabricación. Esta garantía cubre el costo de partes de reemplazo y mano de obra por defectos en materiales o en fabricación.

No están cubiertos:

- Costos de transporte por el envío del producto a la Compañía o a sus representantes de servicio autorizados por servicio de garantías, o por el reenvío de los productos reparados o de reemplazo al consumidor; estos cargos los deberá cubrir el cliente.
- El motor puede estar cubierto exclusivamente por una garantía separada, emitida por el fabricante del motor, como se estableció en el Manual del motor (si se incluye).
- Daños ocasionados por el mal uso o por un accidente, y los efectos de la corrosión, la erosión, el desgaste y el uso normales.
- La garantía se anulará si el cliente no cumple con el mantenimiento y no opera el producto según las instrucciones y recomendaciones de la compañía, establecidas en el manual del propietario.
- La garantía es válida únicamente si el producto se utiliza exclusivamente para aplicaciones del consumidor y no es válida si el producto se utiliza para aplicaciones comerciales o de negocios o como equipo de renta.
- La Compañía no pagará por reparaciones ni ajustes al producto, ni costos ni mano de obra, realizado sin la Compañía's la autorización previa.

Período de garantía: Un (1) año a partir de la fecha de compra. Para obtener el servicio de garantía, el cliente debe proporcionar el comprobante de compra fechado y debe notificar a la Compañía dentro del período de garantía.

Para el servicio de garantía: Llame sin costo al número 800-445-1805 o escriba a Powermate Corporation, Product Services, 4970 Airport Road, P. O. Box 6001, Kearney, NE 68848 EE. UU.

EXCLUSIONES Y LIMITACIONES: LA COMPAÑÍA NO OTORGA NINGUNA OTRA GARANTÍA DE NINGÚN TIPO, EXPLÍCITA O IMPLÍCITA. POR ESTE MEDIO SE RENUNCIA A LAS GARANTÍAS IMPLÍCITAS, INCLUYENDO GARANTÍAS DE COMERCIABILIDAD O DE ADAPTABILIDAD PARA UN PROPÓSITO PARTICULAR. EL SERVICIO DE GARANTÍA DESCRITO ANTERIORMENTE ES EL RECURSO EXCLUSIVO CUBIERO POR ESTA GARANTÍA; LA RESPONSABILIDAD CIVIL POR DAÑOS INCIDENTALES Y CONSECUENTES SE EXCLUYEN EN LA MEDIDA EN QUE LA LEY LO PERMITA.

Esta garantía le otorga derechos legales específicos y también puede ser objeto de otros derechos que varían de estado a estado. Algunos Estados no permiten la exención de responsabilidad de garantías implícitas o la exclusión o limitación de daños incidentales o consecuentes, de manera que las exenciones y exclusiones de responsabilidades pueden no ser aplicables a usted.

MANTENIMIENTO PERIÓDICO

ARTÍCULO	NOTAS	Diariamente (Antes de la operacion)	Inicial 20 horas	Cada 50 horas	Cada 100 horas
Bujía	Revise en qué condición se encuentra. Ajuste el espacio y límpiela. Reemplácela, si fuera necesario.			Ü	
Aceite del motor	Revise el nivel de aceite. Cámbielo.	Ü	Ü		Ü
Filtro de aire	Reemplácelo, si fuera necesario.			Ü	
Filtro de combustible	Limpie la válvula de combustible y el filtro del tanque de combustible. Reemplácelos, si fuera necesario.				Ü
Conducto del combustible	Revise si en la manguera de combustible hay fisuras u otro daño. Reemplácela, si fuera necesario.	Ü			
Sistema de escape	Verifique si existe fuga. Vuelva a apretar el empaque o reemplácelo, si fuera necesario. Revise el filtro del silenciador. Límpielo/reemplácelo, si fuera necesario.	Ü			Ü
Carburador	Revise el funcionamiento del estrangulador.	Ü			
Cómo arrancar el sistema	Revise el funcionamiento del arranque de impacto trasero.	Ü			
Adaptadores/afianzadores	Revíselos. Reemplácelos, si fuera necesario.				Ü

- Cierre la válvula de paso del combustible si el motor debe colocarse en depósito o transportarse.
- Si le va a colocar una cubierta, espere hasta que la unidad se haya enfriado.

MANTENIMIENTO

BUJIA

Retire la bujía y limpie la sección de los electrodos con un cepillo de alambre o papel de lija. Luego fije la separación a 0,028/0,031 (0,7 a 0,8 mm) ajustando el electrodo negativo. Vuelva a colocar la bujía con el torque correcto: 14 pies-lb (20 N.m)



PRECAUCIÓN

Reemplace solamente por el mismo tipo de bujía que fue retirado. Una bujía incorrecta puede causar el sobrecalentamiento del motor, la emisión de humos o un rendimiento inadecuado del mismo.

TIPO DE ACEITE

Utilice aceite fresco de buena calidad, los grado SE, SF o SD. El aceite que será usado depende de la temperatura a la cual funciona el motor:

Debajo de 32° F (0° C)SAE 10W, 10W-30, o 10W-40
 32 a 80° F (0 a 25° C)SAE 20W, 10W-30, o 10W-40
 80 a 95° F (25 a 35° C)SAE 30W, 10W-30, o 10W-40
 Arriba 95° F (35° C)SAE 40W

www.powermate.com

CAMBIO DEL ACEITE

- Cambie el aceite cuando el motor esté caliente.
- Coloque la unidad de generador en una superficie nivelada.
- Retire el tapón de llenado del aceite.
- Abra el tapón de drenaje del aceite y deje que éste se vacíe completamente en un recipiente colocado debajo del motor.
- Revise los empaques. Reemplácelos, si fuera necesario.
- Vuelva a instalar el tapón de drenaje del aceite y llene de nuevo el motor con aceite limpio.
- Vuelva a colocar el tapón de llenado del aceite.

CÓMO LIMPIAR EL FILTRO DE AIRE

- Afloje el tornillo de la cubierta del filtro de aire.
- Retire el elemento del filtro y lávelo bien en solvente.
- Vierta una pequeña cantidad de aceite sobre el elemento del filtro y sacuda suavemente cualquier exceso de aceite.
- Vuelva a colocar el elemento del filtro y la cubierta del filtro de aire.
- Asegúrese de que la cubierta del filtro selle adecuadamente en todas partes.

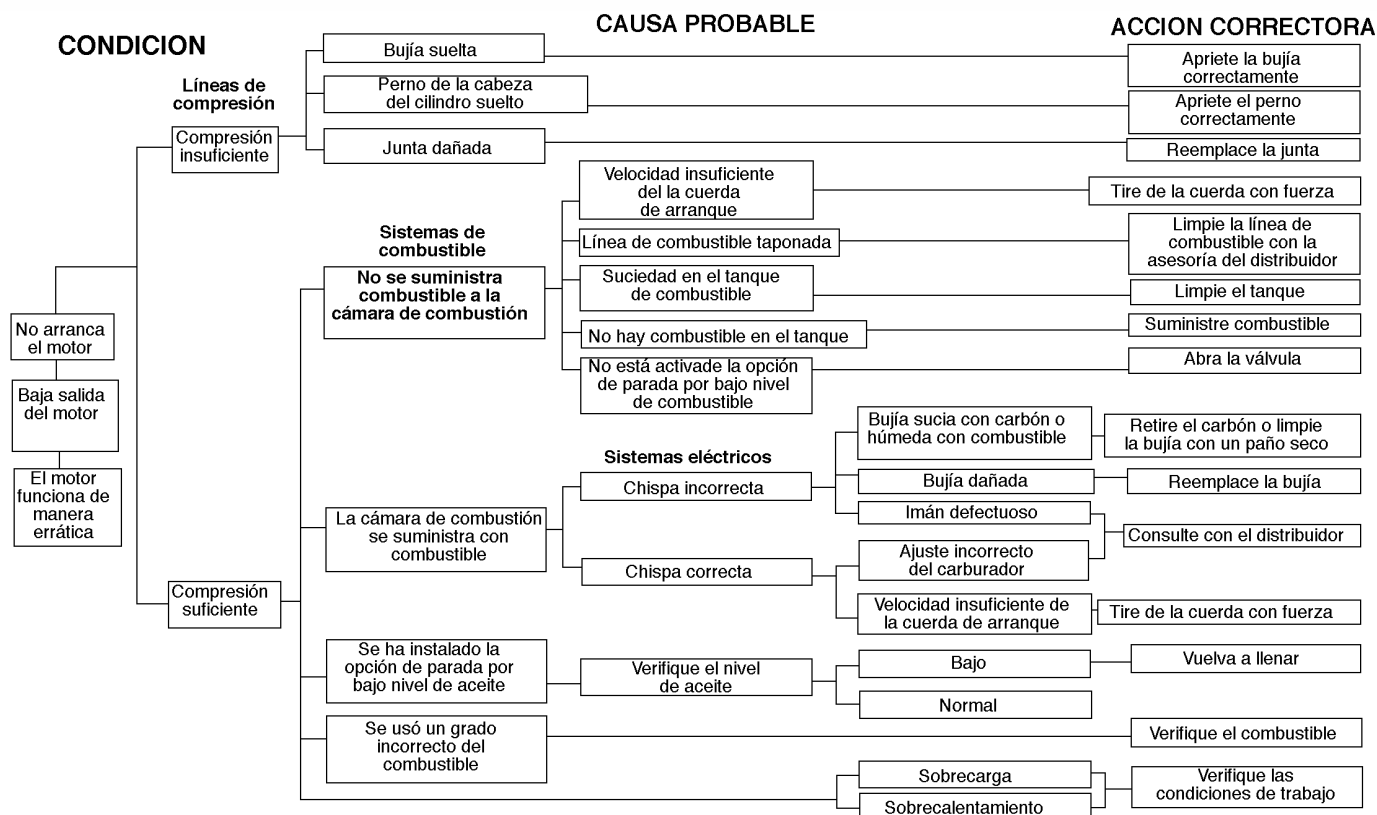
CÓMO LIMPIAR EL FILTRO DE LA VÁLVULA DE COMBUSTIBLE

- Retire la copa en la parte inferior de la válvula de combustible utilizando una llave pequeña.
- Retire el filtro de la válvula de combustible.
- Limpie y lave el filtro y la copa y vuelva a colocarlos.

LIMPIEZA DEL FILTRO DE COMBUSTIBLE

- Retire el filtro plástico de combustible que se ubica debajo del tapón del tanque de combustible.
- Lave el filtro en solvente y vuelva a colocarlo.

DETECCION DE FALLOS DEL MOTOR



ESPECIFICACIONES DEL MOTOR

Tipo	4 carreras, cilindro único, gasolina, OHV
Desplazamiento	171 cc, 10,44 pulg cúbicas
HP máximos	5.5 HP a 3600 rpm
Sistema de arranque	Reculado (encendido electrónico)
Sistema de conducción	Conexión directa, manivela ahusada
Capacidad de aceite	0,6 litros (20 oz)
Bujía	Champion RN14YC o equivalente
Gobernador	Mecánico (ajustable)
Sistema de enfriamiento	Enfriamiento forzado de aire
Perforación x Carrera	66,0 x 50,0 mm (2,60 x 1,97 pulg)
Tipo de carburador	Flotante
Tipo de limpiador de aire	Elemento de espuma

DECLARACIÓN DE GARANTÍA DEL CONTROL DE EMISIÓN DE CALIFORNIA LOS DERECHOS Y OBLIGACIONES DE SU GARANTÍA

El Consejo de los Recursos del Aire de California y Powermate Corporation (de aquí en adelante denominada "Powermate") se complace en explicar la garantía del sistema de control de emisiones evaporativas (EECS por sus siglas en inglés) en su lavadora a presión modelo 2006. En California, los lavadora a presiones nuevos deben diseñarse, fabricarse y equiparse de manera que cumplan con los estrictos estándares contra emisiones de humo del estado. Powermate debe garantizar el EECS en su lavadora a presión por los períodos de tiempo que se indican a continuación, siempre que no haya habido abuso, negligencia o mantenimiento incorrecto de su lavadora a presión.

Su EECS incluye las siguientes piezas: Mangueras de combustible.

COBERTURA DE LA GARANTÍA DEL FABRICANTE:

Este sistema de control de emisiones evaporativas tiene una garantía de dos años. El período de garantía comienza en la fecha en que se le entregue el lavadora a presión al comprador final.

Powermate garantiza al comprador final y a cualquier propietario subsiguiente que el lavadora a presión (i) está diseñado, fabricado y equipado de acuerdo con todos los reglamentos aplicables; y (ii) no tiene defectos en materiales ni en mano de obra que pudieran provocar fallas en alguna de las piezas garantizadas que sea idéntica en lo que respecta al material a la pieza descrita en la solicitud de certificación de Powermate.

Si alguna de las piezas relacionadas con el sistema de emisiones evaporativas de su lavadora a presión fallara, Powermate se compromete a repararla o reemplazarla por otra.

RESPONSABILIDADES DE LA GARANTÍA DEL PROPIETARIO:

Como propietario del lavadora a presión, usted es responsable de que se le brinde el mantenimiento requerido que se indica en su manual del propietario. Powermate recomienda que guarde todos los recibos que hacen constar que se le dio mantenimiento a su lavadora a presión; sin embargo, Powermate no puede negarse a prestar un servicio cubierto por la garantía, únicamente porque usted no cuenta con dichos recibos. No obstante, tenga en cuenta que Powermate puede negar la cobertura de su garantía si su lavadora a presión o una pieza de éste ha fallado debido a abuso, negligencia, mantenimiento incorrecto o modificaciones no autorizadas.

Usted es responsable de llevar su lavadora a presión a un centro de servicio de garantía autorizado de Powermate, en cuanto se presente el problema. Las reparaciones cubiertas por la garantía se realizarán en un período razonable, que no exceda 30 días. Si tiene alguna pregunta relacionada con la cobertura de su garantía, debe llamar al Servicio de Productos de Powermate al 1-800-445-1805.

DETALLES DE SU GARANTÍA

La garantía que cubre las piezas relacionadas con el sistema de emisiones evaporativas, sujeta a ciertas condiciones y exclusiones que se indican abajo, establece lo siguiente:

- (1) Cualquier pieza garantizada, no programada para ser reemplazada como parte del mantenimiento requerido en las instrucciones escritas que se le proporcionaron, está garantizada por el período que se indicó anteriormente. Si la pieza fallara durante el período de cobertura de la garantía, Powermate la reparará o reemplazará de acuerdo con la subsección (4) que se incluye más abajo. Dicha pieza reparada o reemplazada bajo la cobertura de la garantía, se garantizará por el resto del período.
- (2) Cualquier pieza garantizada, programada únicamente para inspección regular en las instrucciones escritas que se le proporcionaron, está garantizada por el período de la garantía que se indicó anteriormente. Dicha pieza reparada o reemplazada bajo la cobertura de la garantía, se garantizará por el resto del período de la garantía.
- (3) Cualquier pieza, programada para ser reemplazada como parte del mantenimiento requerido en las instrucciones que se le proporcionaron, está garantizada por el período de tiempo anterior a la fecha del primer reemplazo programado para esa pieza. Si la pieza fallara antes de la fecha del primer reemplazo programado, Powermate la reparará o reemplazará de acuerdo con la subsección (4) que se incluye a continuación. Dicha pieza reparada o reemplazada bajo la cobertura de la garantía, se garantizará por el resto del período, antes de la fecha del primer reemplazo programado para la pieza.
- (4) La reparación o reemplazo de cualquier pieza establecida en las cláusulas de la garantía, deberá efectuarse en un centro de servicio de garantía autorizado de Powermate, sin que el propietario incurra en gasto alguno.
- (5) El propietario del lavadora a presión no deberá pagar la mano de obra del diagnóstico que esté directamente relacionado con el diagnóstico de una pieza del sistema de emisiones evaporativas en mal estado y garantizada, siempre que dicho diagnóstico sea llevado a cabo en un centro de servicio de garantía autorizado de Powermate.
- (6) Powermate es responsable de los daños hechos a otros componentes del motor o lavadora a presión provocados inminentemente por una falla cubierta por la garantía, de alguna pieza garantizada.
- (7) Durante el período de garantía del lavadora a presión, el cual se indica anteriormente, Powermate mantendrá un suministro suficiente de piezas garantizadas para satisfacer la demanda esperada de dichas piezas.
- (8) Para realizar el mantenimiento o las reparaciones cubiertos por la garantía podrá usarse cualquier pieza de repuesto, la cual deberá proporcionarse en forma gratuita al propietario. Dicho uso no reducirá las obligaciones de la garantía de Powermate.
- (9) No podrán utilizarse piezas incorporadas o modificadas que no estén exentas por el Consejo de los Recursos del Aire de California. Si el comprador final utilizara alguna pieza incorporada o modificada que no esté exenta, esto constituirá motivo de anulación de los reclamos de la garantía. Powermate no será responsable de garantizar daños en piezas garantizadas, provocados por el uso de una pieza modificada o incorporada que no está exenta.
- (10) La reparación o reemplazo de alguna pieza garantizada que de algún modo cumpla con los requisitos de la cobertura de la garantía, puede ser excluida de dicha cobertura si se comprueba que el lavadora a presión ha sido sometido a abuso, negligencia o mantenimiento incorrecto y que dicho abuso, negligencia o mantenimiento incorrecto ha sido la causa directa de la reparación o cambio de la pieza.

PIEZAS GARANTIZADAS:

Las piezas del sistema de emisiones evaporativas que están cubiertas por la garantía son las siguientes:

Manguera de combustible.

PARTS LIST / LISTE DES PIÈCES / LISTA DE PIEZAS

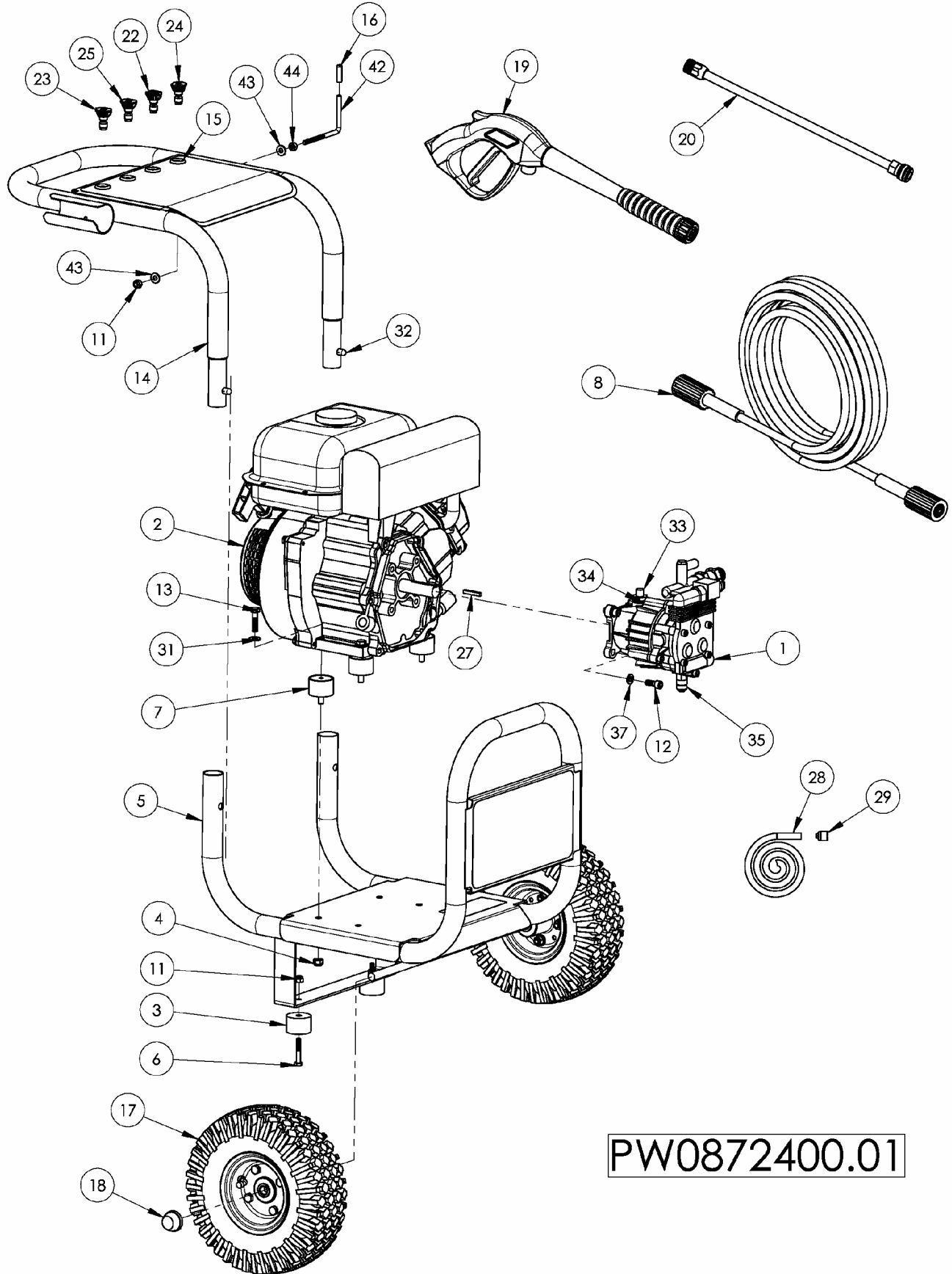
REF. NO.	PART NO.	DESCRIPTION	DESCRIPTION	DESCRIPCION	QTY
1	0063456	Pump Faip	Pompe	Bomba	1
2	0063614	Engine 5.5HP Sumec	Moteur	Motor	1
3	0055894	Rubber Foot	Pied	Pie	2
4	Note A	Nyloc Nut 5/16-18	Écrou autofreiné	Tuerca de nyloc	4
5	0063610	Carrier	Ensemble de transport	Transportador, conjunto	1
6	Note A	Bolt 1/4-20 x 1.50	Boulon	Perno	2
7	0051094	Isolator	Sectionneur	Aislador	4
8	0058081	Hose	Tuyau	Manguera	1
11	Note A	Nyloc Nut 1/4-20	Écrou autofreiné	Tuerca de nyloc	3
12	0055204	Bolt SHC 5/16-24 x .75	Boulon	Perno	4
13	Note A	Bolt 5/16-18 X 1.25	Boulon	Perno	4
14	0063611	Handle	Poignée	Mango	1
15	0057705	Grommet	Anneau	Arandela aislante	4
16	0053835	Vinyl round cap	Capuchon de rond de vinyle	Redondo Vinilo Gorro	1
17	0057704	Wheel	Roue	Rueda	2
18	0053188	Hub cap	Chapeau d'essieu	Tapa de eje	2
19	0061351	Gun Assembly	Pistolet	Pistola	1
20	0057707	Assy, wand & quick connect	Baguette et branchement rapide	Ensamblado de varilla de pulverización	1
22	0057711	Nozzle Black	Buse Noir	Boquilla Negra	1
23	0057851	Nozzle White	Buse Pâle	Boquilla Blanco	1
24	0057850	Nozzle Yellow	Buse Jaune	Boquilla Amarilla	1
25	0057849	Nozzle Red	Buse Rouge	Boquilla Roja	1
27	0055318	Key SQ 3/16 x 1.25	Touche	Tecla	1
28	0057701	Chemical Hose	Tuyau pour les produits chimiques	Manguera de sustancia química	1
29	0000087	Chemical filter	Filtre pour les produits chimiques	Sustancia química filtro	1
31	Note A	Washer flat 5/16	Rondelle plate	Arandela plana	4
32	0063132	Handle release button	Bouton de déclenchement	Botone de liberación la manija	1
33	0063523	Oil breather	Reniflard, huile	Respiradero de aceite	1
34	0000069	Gasket	Joint d'étanchéié plat	Empaque	1
35	0061439	Thermal relief valve	Thermal vestige tuyau	Térmico reliquia válvula	1
37	Note A	Washer lock 5/16	Contre-écrou 5/16	Arandela, de cierre 5/16	4
42	0063326	Bolt L 1/4-20 x 3.75	Boulon	Perno	1
43	Note A	Washer flat 1/4	Rondelle plate	Arandela plana	2
44	Note A	Nut hex 1/4-20	Écrou	Tuerca	1

Note A: These are standard parts available at your local hardware store.

Remarque A: Ces pièces sont des pièces standard disponibles dans les quincailleries.

Nota A: Estas son piezas estándar disponibles en su ferretería local.

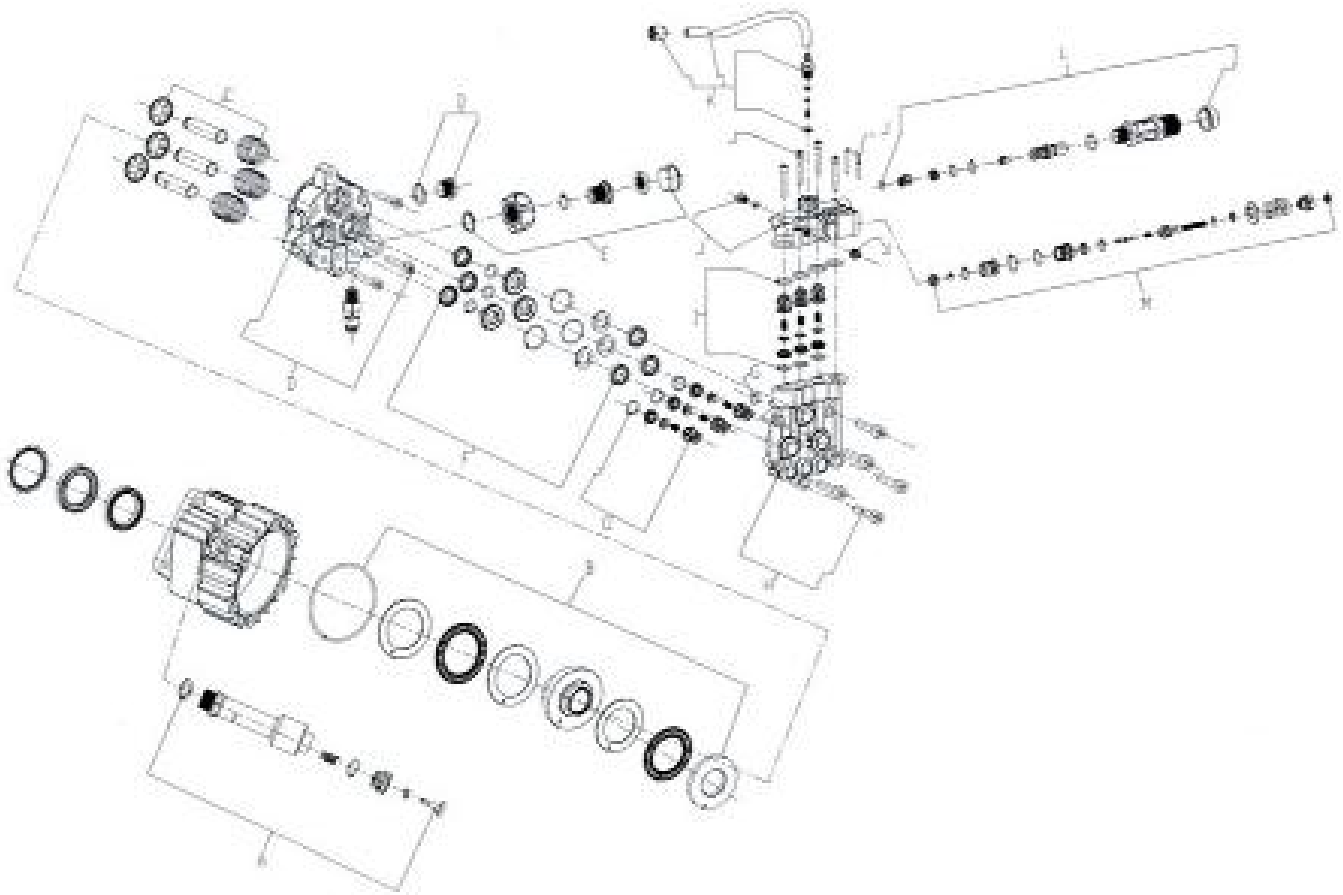
PARTS DRAWING / SCHEMA DES PIÈCES / DIAGRAMA DE PIEZAS



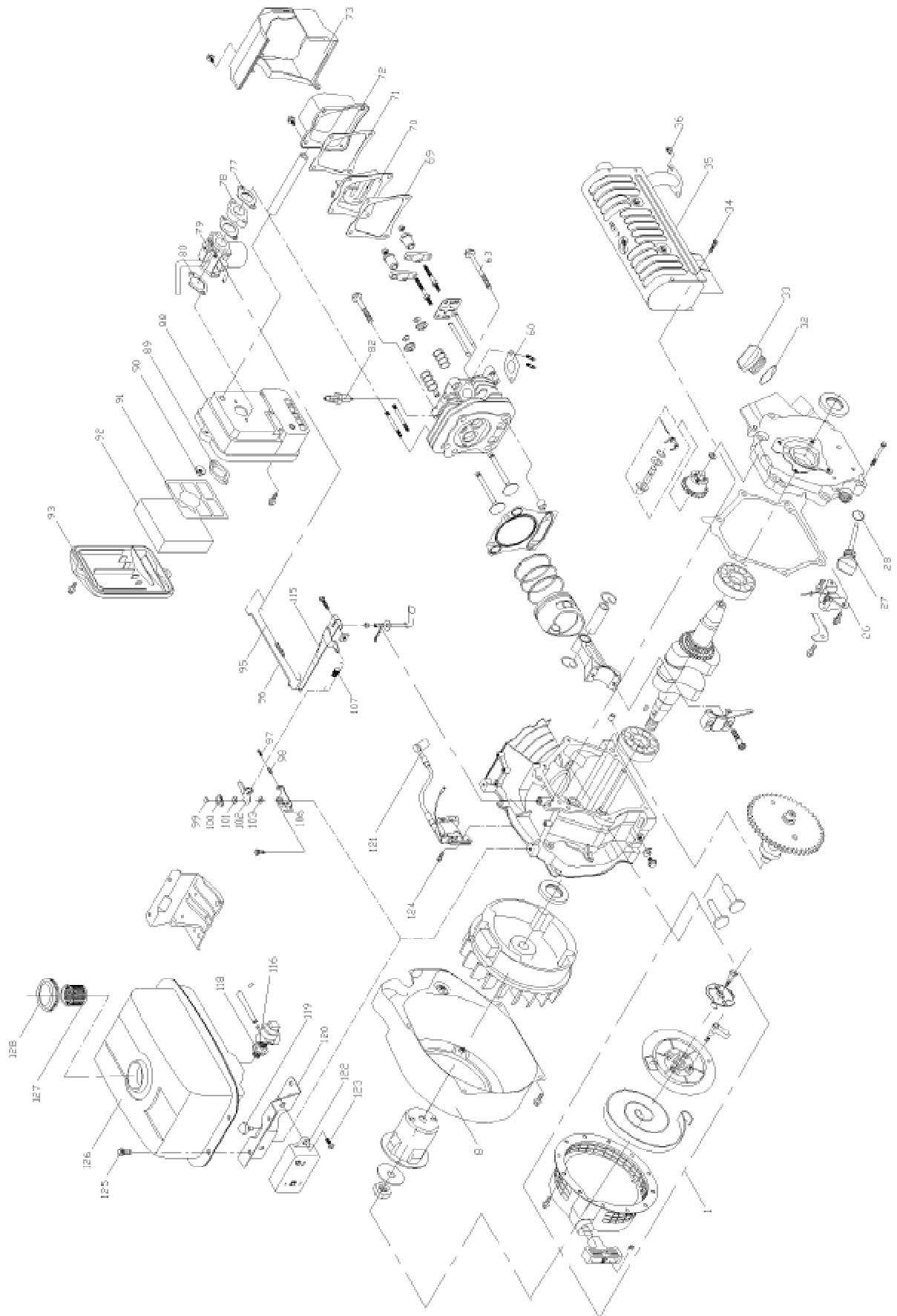
PW0872400.01

PUMP KITS / POMPE JEUS / BOMBEE JUEGOS

REF	PART NO.	KIT	JEU	JUEGO
B, C, D	0063456	Replace with complete pump	Remplacer avec la pompe complète	Reemplace con bomba completa
E	0064010	Inlet Kit	Jeu de Arrivée	Juego de Cala
F	0064011	Seal/Bushing Kit	Jeu de Joint/Bague	Juego de Sellos/Buje
G	0064012	Inlet Valve Kit	Jeu de Soupape d'arrivée	Juego de Válvula de cala
H	0064013	Pump Head Kit	Jeu de Tête de pompe	Juego de Cabeza de bomba
I	0064014	Outlet Valve Kit	Jeu de Soupape de sortie	Juego de Válvula de salida
J	0064015	Manifold Kit	Jeu de Collecteur	Juego de Múltiple
K	0064016	Detergent Suction Kit	Jeu de détergente de Succion	Juego de Succión de detergente
L	0064017	High Pressure Outlet Kit	Jeu de L'haute Sortie de Pression	Juego de Alto de Salida de Presión
M	0064018	By-Pass Unloader Kit	Jeu de Sauter Régulateur de pression	Juego de Evite Descargador



ENGINE / MOTEUR / MOTOR
PARTS DRAWING / SCHEMA DES PIÈCES / DIAGRAMA DE PIEZAS



PARTS LIST / LISTE DES PIÈCES / LISTA DE PIEZAS

REF. NO.	PART NO.	DESCRIPTION	DESCRIPTION	DESCRIPCION	QTY
	0063614	Engine 5.5HP Sumec	Moteur	Motor	1
1	0063066	Engine recoil assembly	Moteur recule l'assemblée	Asamblea de retráctil de motor	1
8	0063098	Housing, blower	Corps	Compartimiento	1
26	0063075	Low oil sensor	Détecteur de bas niveau d'huile	Sensor de bajo nivel de aceite	1
27	0063736	Oil cap	capuchon à huile	Tapa de aceite	1
28	0063737	Oil filler seal	Joint	Sello	1
32	0063738	Oil filler seal	Joint	Sello	1
33	0063739	Oil cap	capuchon à huile	Tapa de aceite	1
34	0063740	Screw M6 x 12	Vis M6 x 12	Tornillo M6 x 12	1
35	0063741	Muffler	Silencieux	Silenciador	1
36	0063742	Nut	Écrous	Tuerca	2
60	0063093	Gasket, exhaust	Joint	Empaquetadura	1
63	0063743	Screw M8 x 65	Vis M8 x 65	Tornillo M8 x 65	2
69	0063087	Gasket, head cover	Joint	Empaquetadura	1
70	0063744	Breather assembly	Reniflard	Respiradero	1
71	0063745	Breather cover gasket	Joint	Empaquetadura	1
72	0063746	Cylinder head cover	Couvercle	Tapa	1
73	0063747	Air Shroud	Enveloppe	Guardera	1
77	0063748	Gasket	Joint	Empaquetadura	1
78	0063749	Plate	Plaque	Placa	1
79	0063057	Carburetor	Carburateur	Carburador	1
80	0063750	Gasket	Joint	Empaquetadura	1
82	Note B	Spark plug	Bougie	Bujía	1
88	0063751	Air filter case	Cas	Caso	1
89	0063752	Plate	Plaque	Placa	1
90	0063753	Nut M6	Écrous M6	Tuerca M6	2
91	0063754	Element fitting plate	Plaque	Placa	1
92	0063068	Air filter	Filtre à air	Filtro de aire	1
93	0063069	Air filter cover	Couvercle du filtre à air	Tapa de filtro de aire	1
95	0063100	Spring, carburetor	Ressort	Resorte	1
96	0063099	Link rod	Tige	Varilla	1
97	0063755	Throttle stop screw M5 x 25	Vis M5 x 25	Tornillo M5 x 25	1
98	0063756	Spring	Ressort	Resorte	1
99	0063757	Nut M6	Écrous M6	Tuerca M6	1
100	0063758	Washer	Rondelle	Arandela	1
101	0063759	Spring Washer	Rondelle	Arandela	1
102	0063760	Throttle lever	Étrangler	Acelerador	1
103	0063761	Washer	Rondelle	Arandela	1
106	0063762	Throttle lever support	Support	Soporte	1
107	0063763	Governing spring	Ressort	Resorte	1
115	0063102	Governor arm	Bras	Brazo	1
116	0063071	Fuel filter	Filtre à carburant	Filtro combustible	1
118	0063070	Fuel shut-off	Alimenter d'arrêt	Abastecza de combustible válvula	1
119	0063764	Antivibrator	Sectionneur	Aislador	1
120	0063765	Fuel tank support	Support	Soporte	1
121	0063091	Ignition module	Module d'allumage	Módulo de ignición	1
122	0063766	Switch and alarm assembly	Interrupteur et alarme	Interruptor y alarma	1
123	0063767	Screw M6 x 10	Vis M6 x 10	Tornillo M6 x 10	1
125	0063768	Screw M6 x 12	Vis M6 x 12	Tornillo M6 x 12	2
126	Note C	Fuel tank	Réservoir de carburant	Tanque de metal de combustible	1
127	0063769	Fuel strainer	Passoire à carburant	Abastecza de combustible el colador	1
128	0063770	Fuel cap	Capuchon	Tapa de combustible	1

Note B: Use Champion RN14YC spark plug or equivalent. Spark plug gap = .028/.031 inches (0.7/0.8 mm)

Note C: Contact your nearest Coleman® Powermate® Service Center for replacement fuel tanks.

Remarque B: L'usage Champion RN14YC bougie ou l'équivalent. L'écart pour la bougie = .028/.031 pouces (0.7/0.8 mm)

Remarque C: Pour commander un réservoir de rechange, contacter Centre de service Coleman® Powermate® le plus proche.


Nota B: El uso Champion bujía RN14YC o equivalente. El espacio para la bujía = pulgadas .028/.031 (0.7/0.8 Mm)

Nota C: Para hacer pedidos de tanques, localice el Centro de Servicio de Coleman® Powermate® más cercano.




**4970 Airport Road
P. O. Box 6001
Kearney, NE 68848
1-800-445-1805
1-308-237-2181
Fax 1-308-234-4187**

© 2005 Powermate Corporation. All rights reserved.

Coleman® and  are registered trademarks of The Coleman Company, Inc. used under license.


Powermate® is a registered trademark of Powermate Corporation.

© 2005 Powermate Corporation. Tous droits réservés.

Coleman® et  sont des marques déposées de The Coleman Company, Inc. utilisées sous licence.

Powermate® est une marque déposée de Powermate Corporation.

© 2005 Powermate Corporation. Reservados todos los derechos.

Coleman® y  son marcas comerciales registradas de The Coleman Company, Inc. utilizadas bajo licencia.

Powermate® es una marca comercial registrada de Powermate Corporation.