



Spare parts list
(16015540) K2.28

1.0 Housing

2.0 Pump Set

2.1 Housing

2.2 Thrust Guidance

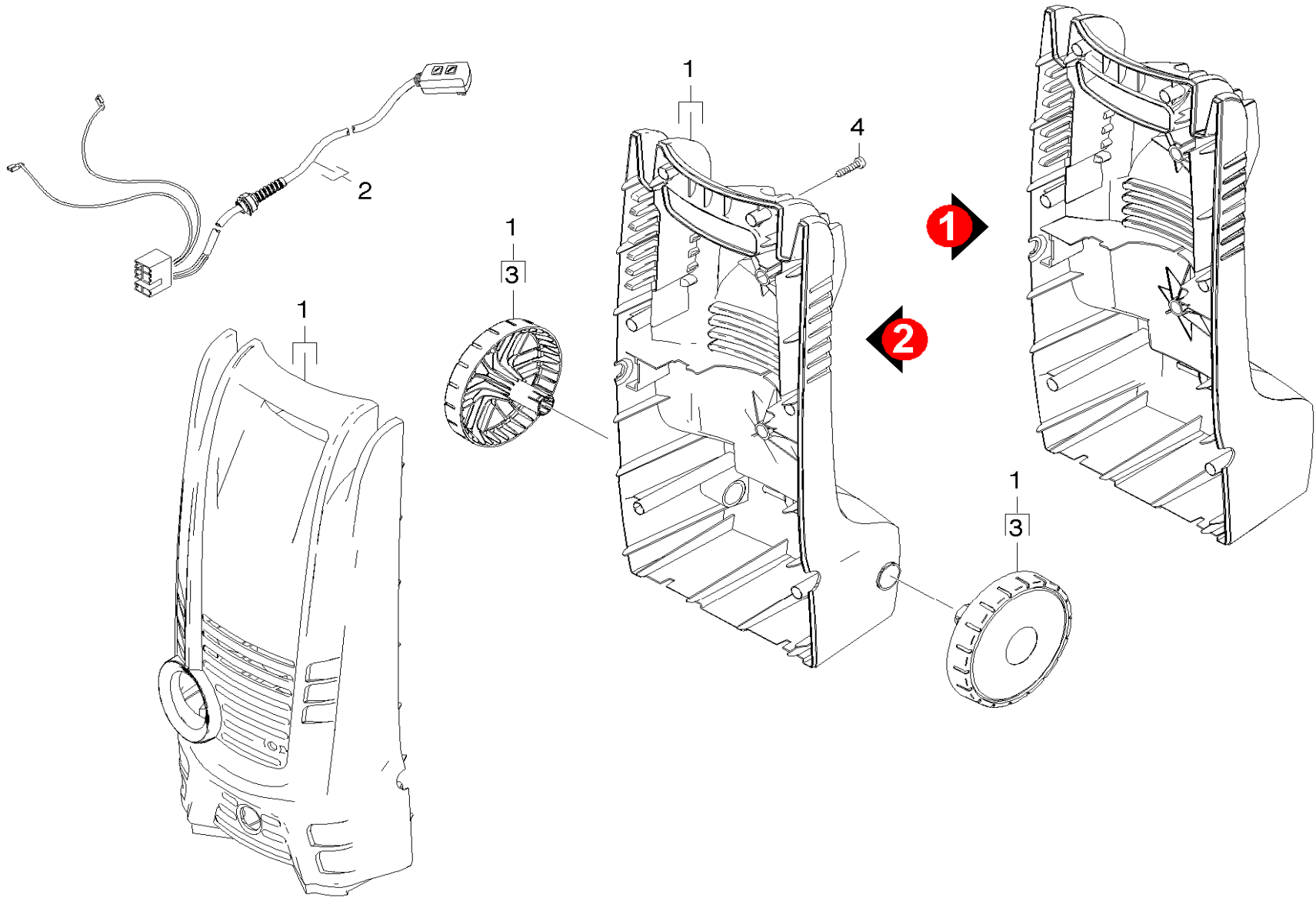
3.0 Motor

4.0 Accessories

4.1 Hand Trigger Gun

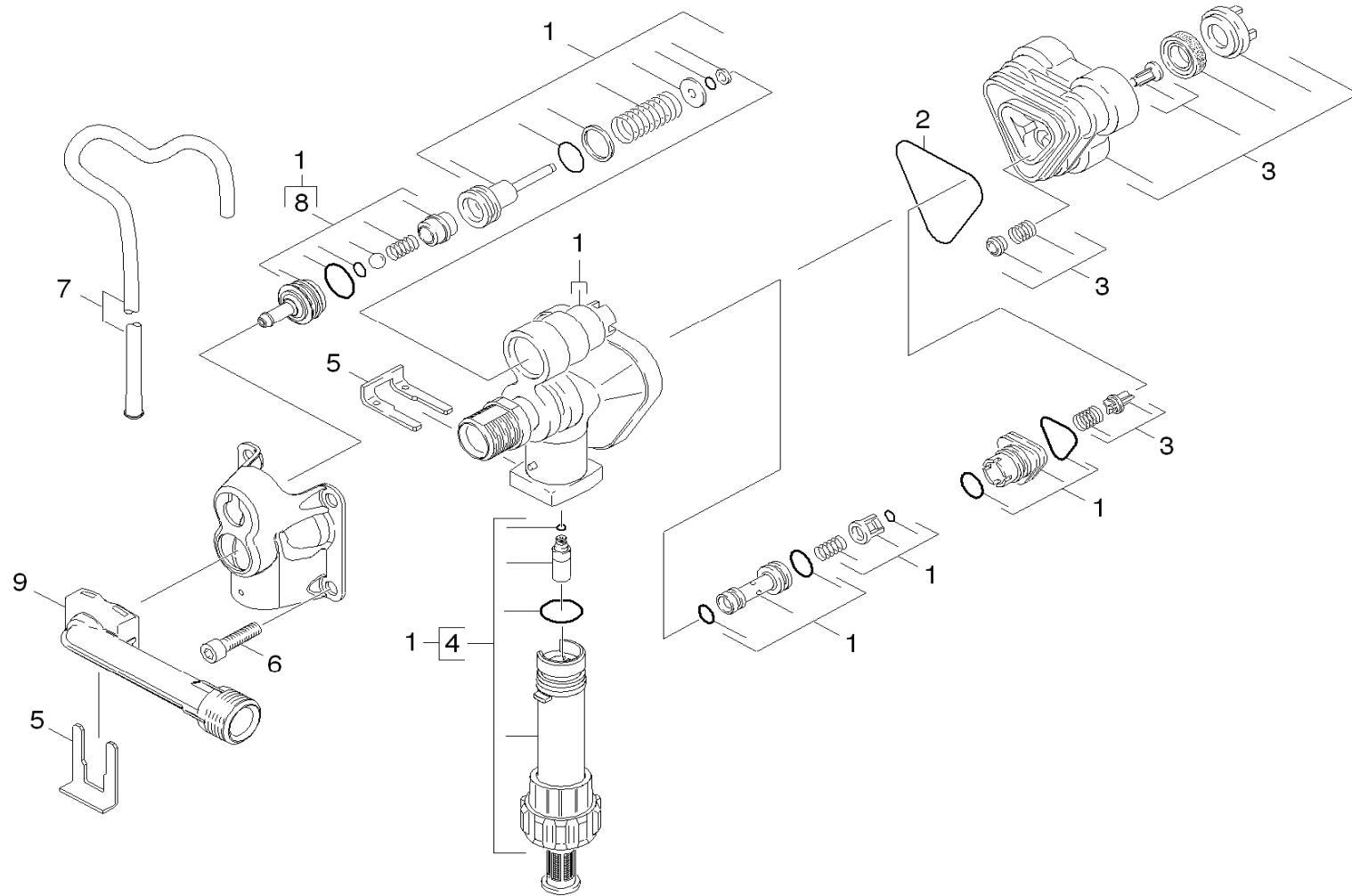
4.2 Hand Trigger Gun

4.3 Jet Pipe



1.0 Housing**K 2.28**

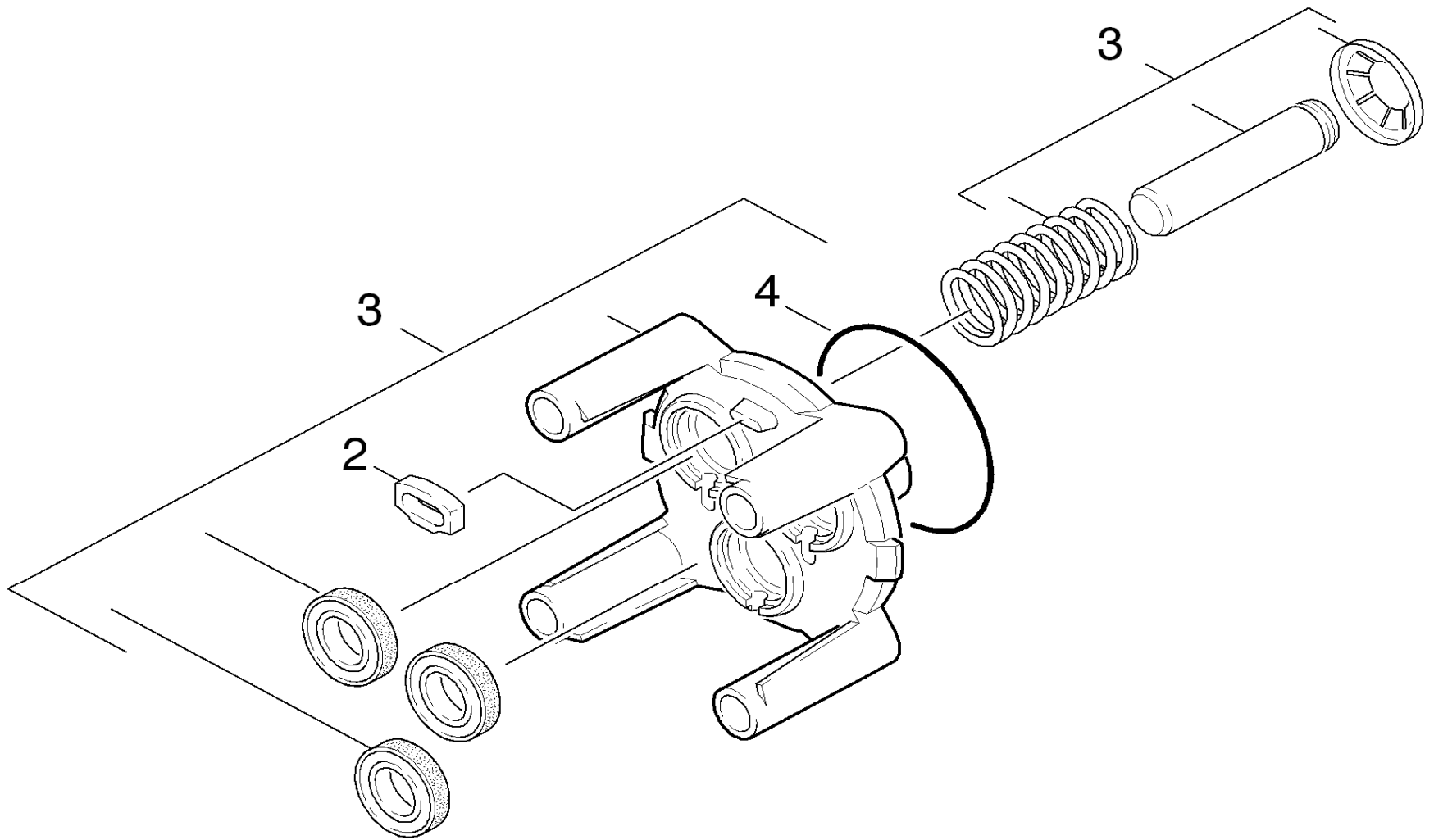
POS	DESCRIPTION ADDITIONAL INFORMATIONS	PART NO	QTY.	FROM SER. NR.	UP TO SER. NR.
1	Housing pair with wheels K2.25M Version 1 1.601-552.0 & 1.601-553.0	9.776-031.0	1		
1	Housing pair without wheels K2.28 Version 2 1.601-554.0	0.000-000.0	1		
2	Cable complete with multi-connector	9.750-072.0	1		
3	Wheel Winner 150 Version 1 1.601-552.0 & 1.601-553.0	9.760-282.0	2		
4	Screw Hi/Lo d. 4x22 Torx d.-7.5 (T-15 Torx)	9.086-173.0	6		



2.1 Housing

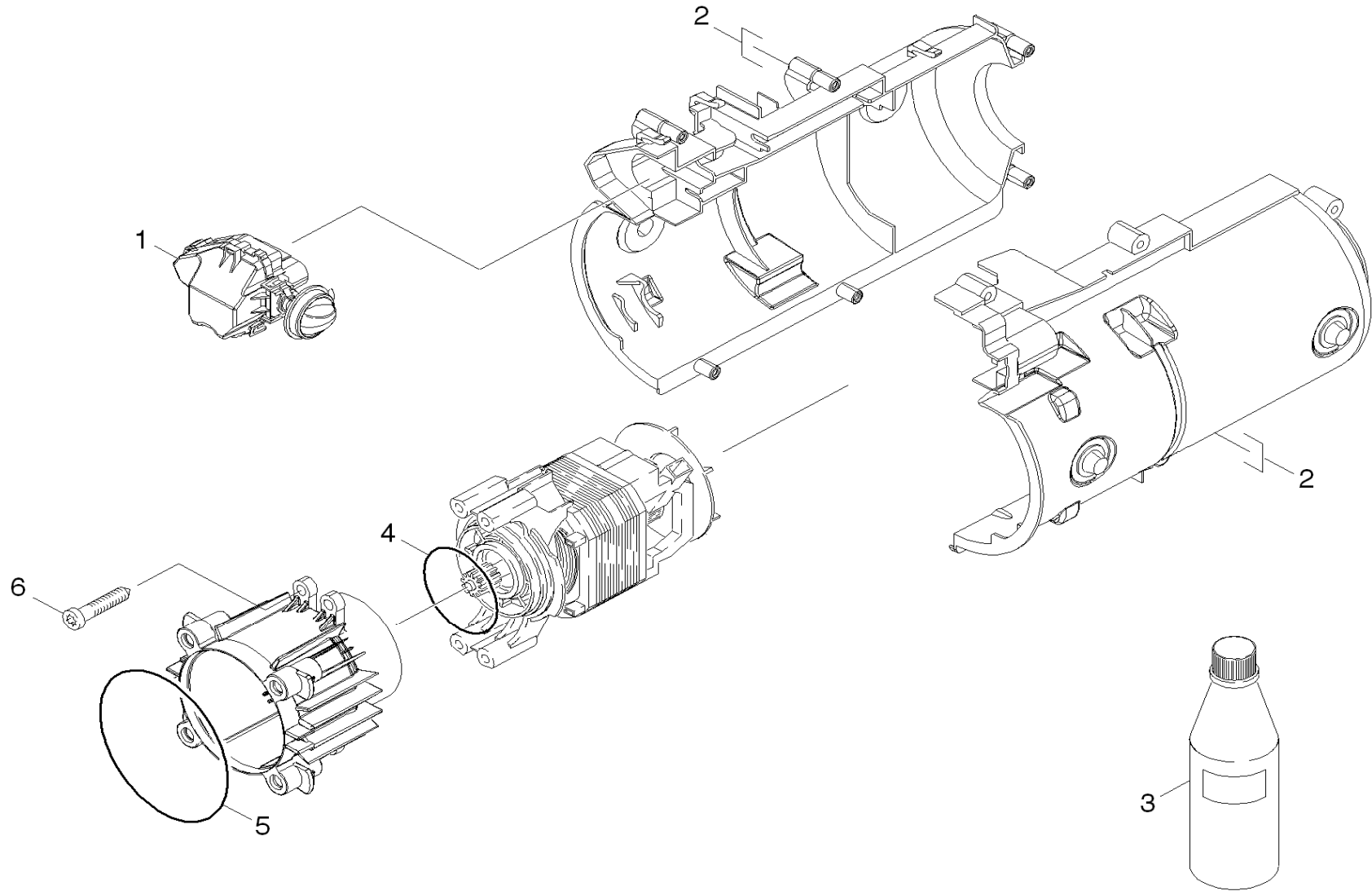
K 2.28

POS	DESCRIPTION ADDITIONAL INFORMATIONS	PART NO	QTY.	FROM SER. NR.	UP TO SER. NR.
1	Manifold (Control Head) complete replacement K2.26*	9.750-176.0	1		
2	Form seal	9.081-422.0	1		
3	High Pressure (Cylinder Head) head complete Spare Part	9.001-215.0	1		
4	Suction connection replacement	9.750-177.0	1		
5	Metal fork	9.039-148.0	2		
6	Cylinder head screw M8x65 -8.8-A2E ISO4	7.306-151.0	4		
7	Filter cleaning agents W107/207	9.011-911.0	1		
8	Detergent fitting assembly	9.750-058.0	1		
9	Connection delivery side	9.760-813.0	1		



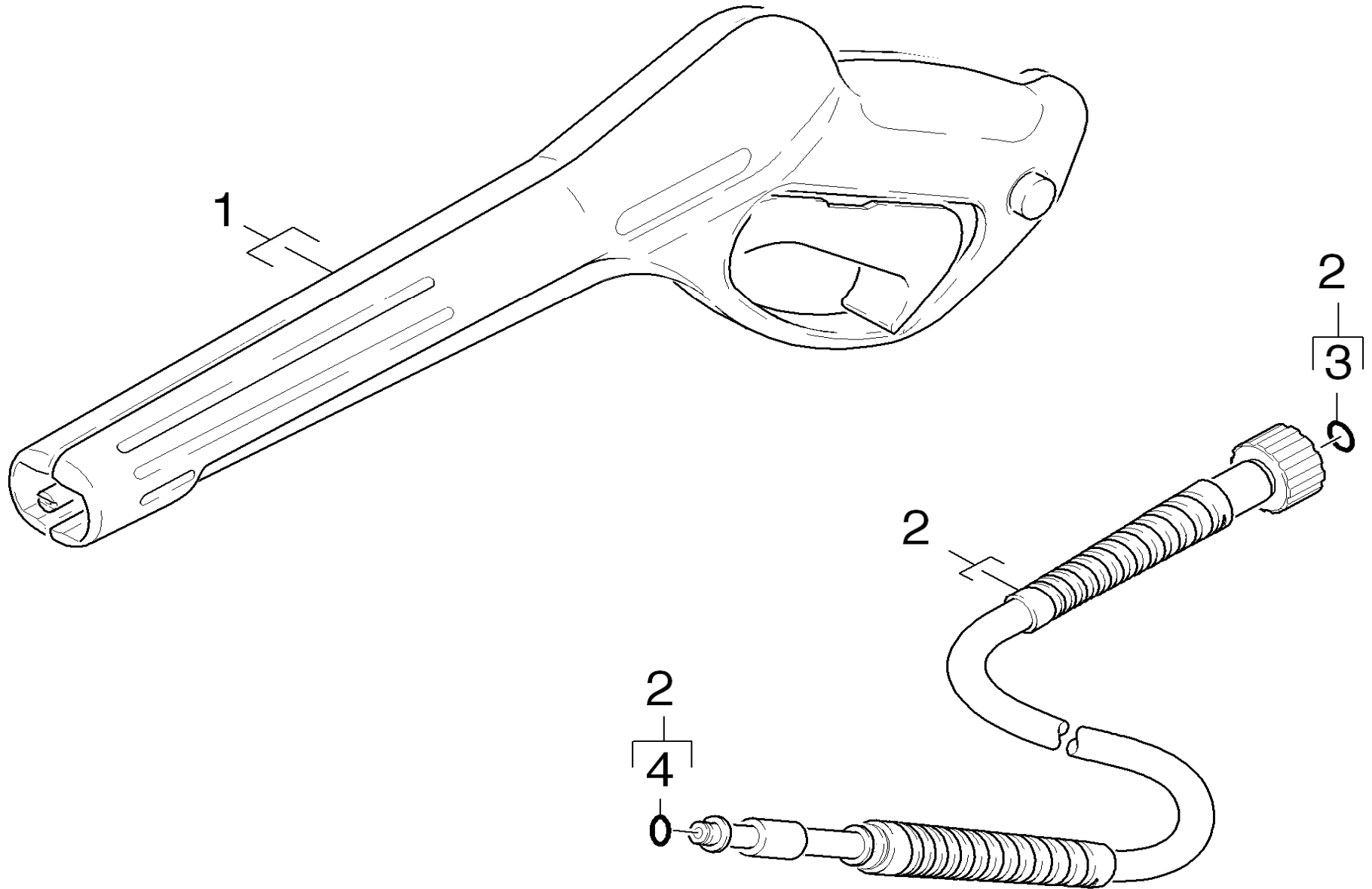
2.2 Thrust Guidance**K 2.28**

POS	DESCRIPTION ADDITIONAL INFORMATIONS	PART NO	QTY.	FROM SER. NR.	UP TO SER. NR.
2	Spacer - Seal	9.048-071.0	1		
3	Piston guidance replacement complete	9.750-078.0	1		
4	O-Ring Seal 60x2.5 -NBR 80	6.363-339.0	1		



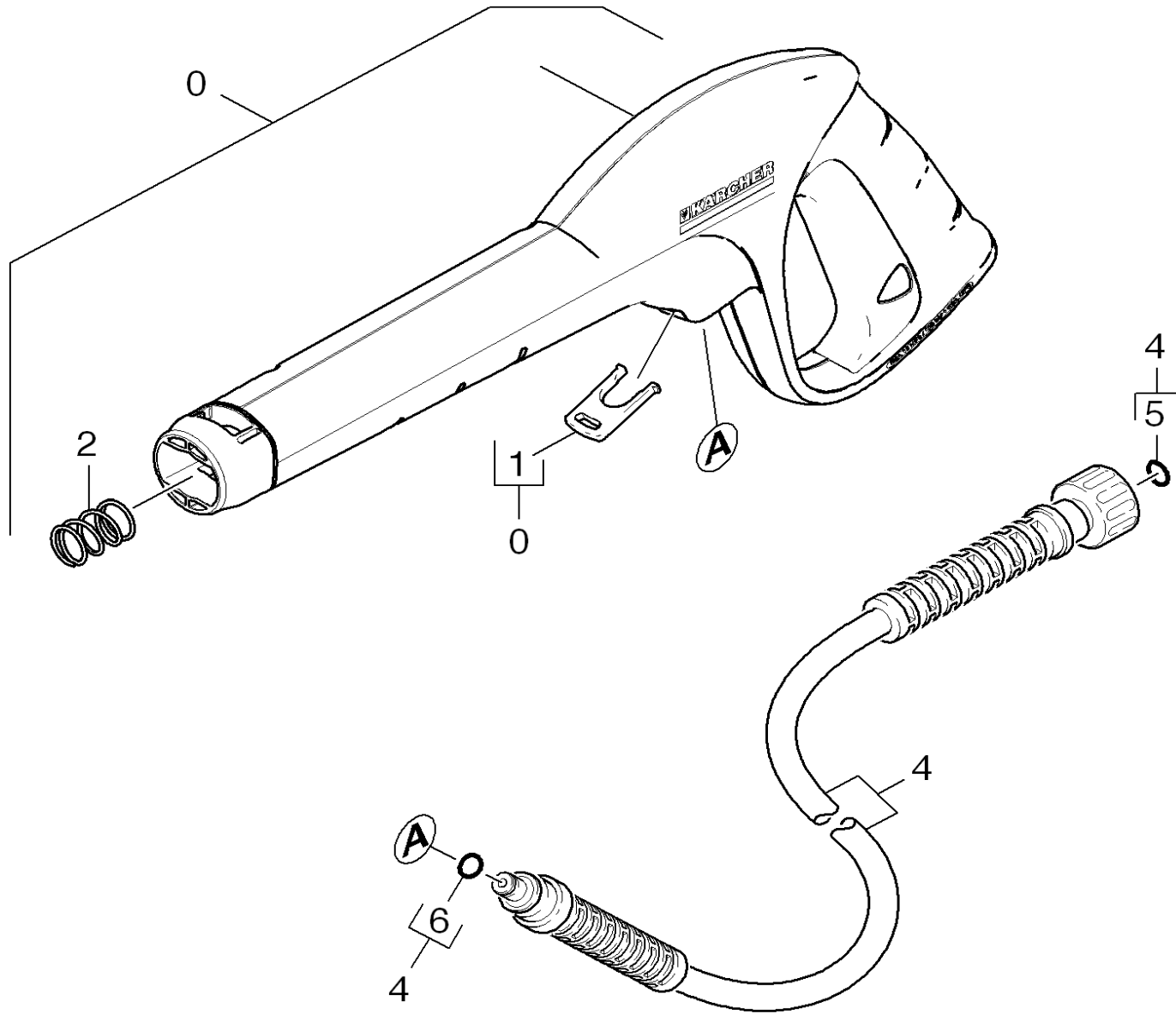
3.0 Motor**K 2.28**

POS	DESCRIPTION ADDITIONAL INFORMATIONS	PART NO	QTY.	FROM SER. NR.	UP TO SER. NR.
1	Electric box complete replacement K2.26*	9.750-178.0	1		
2	Housing motor replacement *(CEN)	9.750-079.0	1		
3	Engine oil 1L	6.288-112.0	1		
4	O-Ring Seal 50x2.2 -NBR 80	6.363-340.0	1		
5	O-Ring Seal 60x2.5 -NBR 80	6.363-339.0	1		
6	Screw 5x26.4	6.303-260.0	4		



4.1 Hand Trigger Gun**K 2.28**

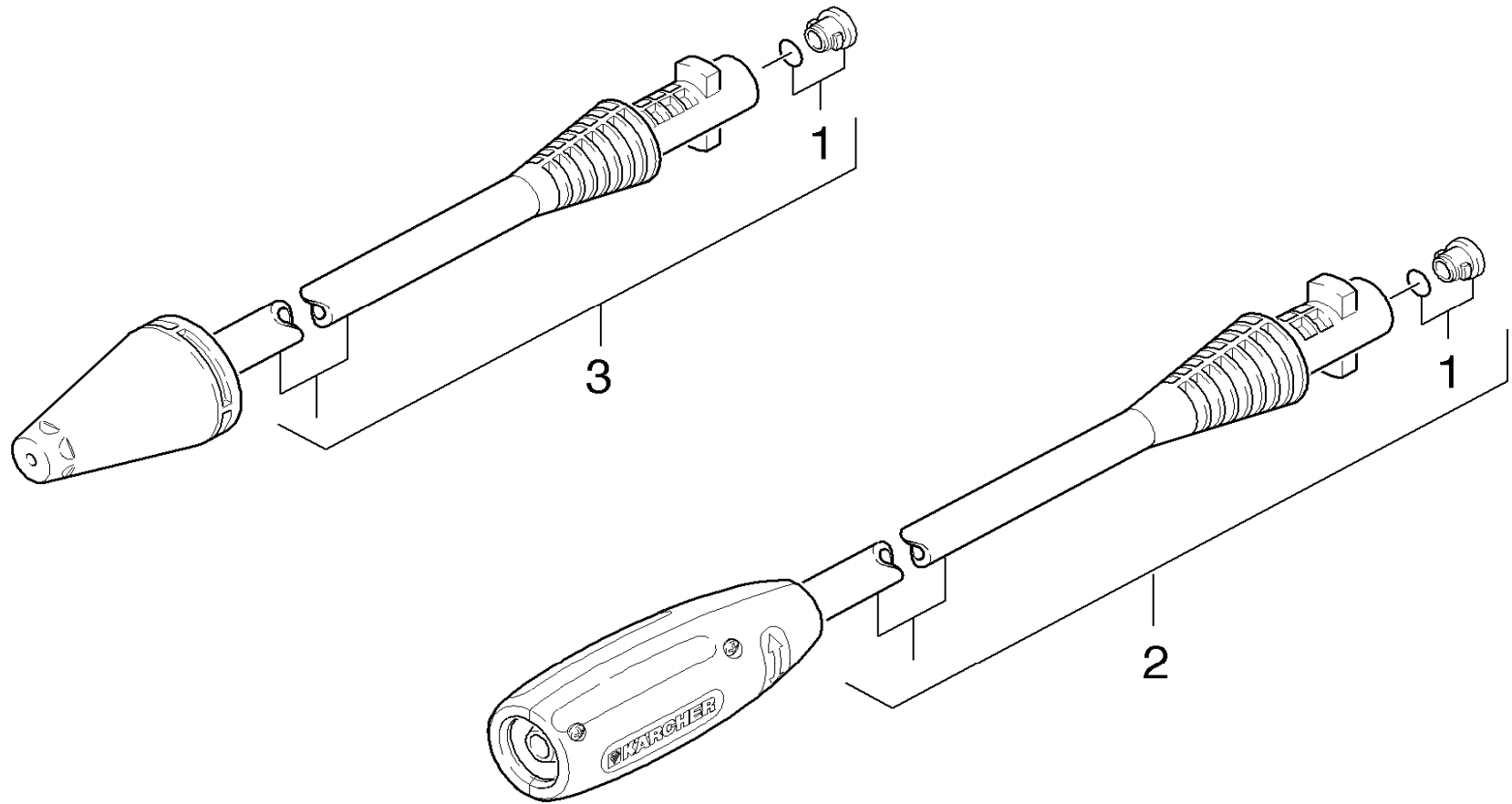
POS	DESCRIPTION ADDITIONAL INFORMATIONS	PART NO	QTY.	FROM SER. NR.	UP TO SER. NR.
1	Trigger Gun / Pistol	4.775-331.0	1		
2	High Pressure Hose 6/11MPa neutr., 40G,M	6.391-571.0	1		
3	O-Ring Seal (5 Pack)	2.880-296.0	1		
4	O-Ring Seal 6.75x1.78 NBR 70	6.362-498.0	1		



4.2 Hand Trigger Gun

K 2.28

POS	DESCRIPTION ADDITIONAL INFORMATIONS	PART NO	QTY.	FROM SER. NR.	UP TO SER. NR.
0	Trigger Gun / Pistol	2.641-611.0	1		
1	Clip / Clamp	5.037-185.0	1		
2	Pressure Spring	5.332-464.0	1		
4	High Pressure Hose 6/11MPa	6.390-871.0	1		
5	O-Ring Seal (5 Pack)	2.880-296.0	1		
6	O-Ring Seal 6.75x1.78 NBR 70	6.362-498.0	1		



4.3 Jet Pipe**K 2.28**

POS	DESCRIPTION ADDITIONAL INFORMATION	PART NO	QTY.	FROM SER. NR.	UP TO SER. NR.
1	O-Ring seal set	2.640-729.0	1		
2	VPS K2 026	4.760-520.0	1		
3	Rotary Nozzle LP/027	4.763-991.0	1		