

ITEM	PART NO.	DESCRIPTION	QTY	
1	7106949	FRAME, WS SERIES SVC ASSY	1	
1.1	7104732	FRAME, BASE WS5040	1	
1.2	7104733	SUB-FRAME, BASE WATER SHOT LARGE	1	
1.3	7105253	HANDLE, REAR WATER SHOT	1	
1.4	7105248	HANDLE, FRONT WATER SHOT	1	
1.5	7104854	INSERT, HANDLE	8	
1.6	7104734	BRACKET, FOOT WS SERIES	1	
1.7	7104856	NOZZLE HOLDER 4PC	1	
1.8	7106041	BATTERY TRAY, WS5040	1	
†	1.9	WASHER, RUBBER BUMPER	2	
†	1.10	BOLT, 5/16"-18 x 2 1/4"	4	
†	1.11	BOLT, 5/16"-18 x 2 1/2"	4	
†	1.12	WASHER, 5/16"	16	
†	1.13	WASHER, FLAT 5/16"	4	
†	1.14	NUT, 5/16"-18 NYLOCK	12	
†	1.15	BOLT, 5/16"-18 x 1"	4	
†	1.16	SPACER, BACK 3/4" OD	2	
2	7106950	WHEEL KIT, WS SERIES	1	
2.1	7101405	WHEEL, LARGE MAG 13 X 5 - 6	2	
2.2	7104152	COLLAR, 3/4" LOCKING	2	
2.3	7100715	3/4"-16 NYLON INSERT LOCK NUT	2	
2.4	7100069	BALL BEARING, 3/4"	4	
3	7106951	FOOT KIT, WS SERIES SPRING	2	
3.1	7101156	SHOE SLEEVE	1	
3.2	7101524	HOUSING, FOOT SPRING	1	
3.3	7101157	SPRING SLEEVE	1	
3.4	7101169	SPRING, WS SERIES FOOT	1	
3.5	7101378	WASHER, 5/16" FENDER	1	
3.6	7101125	RUBBER FOOT	1	
†	3.7	BOLT, 5/16"-18 x 3"	1	
†	3.8	GROMMET, 7/16" ID	1	
†	3.9	NUT, 5/16"-18 NYLOCK	1	
4	7106960	GAS TANK, WS5040 SVC ASSY	1	
4.1	7200138	GAS TANK, REMOTE 6.5 GAL	1	
4.2	7100423	1/4" HOSE BARB x 1/4" NPTM	1	
4.3	7200121	BULB, PRIMER	1	
4.4	7100430	1/4" HB x 1/8" NPTM	1	
4.5	7101163	DBL SHUTOFF SOCKET, 1/8" NPTF x 1/4" QC-F	1	
5	7108429	ENGINE SVC ASSY, VANGUARD 18HP 570cc	1	
5.1	7108109	ENGINE 18HP 570cc VANGUARD 3564470034G1	1	
5.2	7100522	KEY, 5HP ELECTRIC & LG GAS 1/4" x 1 3/4"	1	
6	7106952	ENGINE MOUNT KIT, WS5040	1	
†	6.1	ENGINE ADJUSTING BLOCK	1	
†	6.2	BOLT, 1/4"-28 x 1 1/2"	2	
†	6.3	WASHER, 1/4" FLAT	4	
†	6.4	NUT, LOCK 1/4"-28 NYLOCK	2	
†	6.5	BOLT, 3/8"-16 x 3 1/2"	1	
†	6.6	WASHER .38 x .63 x .06	1	
†	6.7	NUT, 3/8"-16 JAM	2	
†	6.8	BOLT, 5/16"-18 x 1 3/4"	4	
†	6.9	NUT, WHIZ 5/16"-18	4	
†	6.10	WASHER, 5/16"	4	
†	6.11	WASHER, 5/16" FENDER	1	
†	6.12	WASHER, RUBBER BUMPER	1	
†	6.13	BOLT, 5/16"-24 x 1 1/4"	1	
†	6.14	SPACER, ROUND 1/2"OD	1	
>	7-A	7108430	COMET PUMP, WS4050 SVC ASSY	1
<	7-B	7108434	GP PUMP, WS4050 SVC ASSY	1
>	7.1-A	7105798	TW5050S COMET PUMP, 5000PSI @ 5.2GPM	1
<	7.1-B	7101033	PUM0008 Pump TSP1819	1
	7.2	7200103	ELBOW, 1/2" 90° ST.	1
	7.3	7101999	3/4" GARDEN HOSE INLET	1
	7.4	7200118	RELIEF VALVE, 5000PSI	1
	7.5	7102405	ADAPTER 1/2" NPTM x 5/8"-45° FLARED	1
	7.6	7101263	TEE, 1/2" NPTF	1
	7.7	7100603	NIPPLE, 1/2" CLOSE	1
	7.8	7104717	FITTING, 5/8" HB X 5/8" NPTF	1
	7.9	7101331	RELIEF VALVE, 1/2" NPTM THERMAL	1
	7.10	7101037	PUMP BUMPER	1
	7.11	7100814	PLUG, 1/4" HEX-HEAD	1

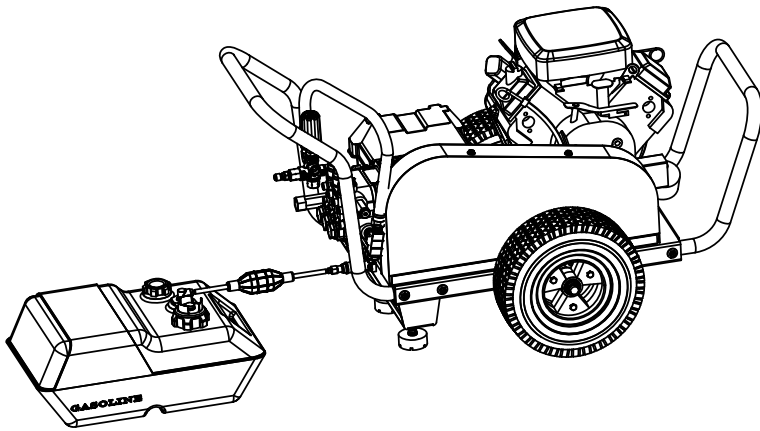
ITEM	PART NO.	DESCRIPTION	QTY	
8	7106955	MOUNTING KIT, WS5040 PUMP	1	
8.1	7104730	BRACKET, LARGE PUMP MOUNTING	1	
†	8.2	BOLT, 5/16"-18 x 1"	4	
†	8.3	WASHER, FLAT 5/16"	4	
†	8.4	WASHER, FENDER	4	
†	8.5	NUT, 5/16"-18 NYLOCK	4	
†	8.6	BOLT, M10-1.5 x 18MM	4	
9	7108431	UNLOADER, SVC ASSY WS4050	1	
9.1	7105891	UNLOADER, PULSAR4KHPEZ	1	
9.2	7100287	ELBOW, 3/8" NPTM x 3/8" NPTF	2	
9.3	7104717	FITTING, 5/8" HB X 5/8" NPTF	1	
9.4	7100621	NIPPLE 3/8 X 3/8 HEXSTEEL	1	
9.5	7200032	ADAPTOR 5/8" FLARE x 3/8" M	1	
9.6	7101079	COUPLER, .38 OD-M X .38 NPT-M	1	
10	7100447	HOSE, 5/8" NYLON BRAID	1	
11	7106961	BELT-GUARD, WS5040 SVC ASSY	1	
11.1	7104727	BELTGUARD, BACK 5040 WATER SHOT	1	
11.2	7104729	BELTGUARD, FRONT 5040 WATER SHOT	1	
11.3	7104845	BELT GUARD BRACKET	1	
11.4	7100389	GROMMET, 7/16" ID	2	
†	11.5	BOLT, 5/16" - 18 x 1 1/4"	2	
†	11.6	WASHER, 5/16"	2	
†	11.7	NUT, 5/16"-18 NYLOCK	2	
†	11.8	BOLT, 1/4"-20 x 1" GR5	2	
†	11.9	WASHER, 1/4" FLAT	2	
†	11.10	NUT, CLINCH, 1/4"-20	2	
†	11.11	RIVET, AN430-A4-6 ALUMINUM	6	
12	7106957	FUEL INTAKE, WS5040 SVC ASSY	1	
12.1	7104167	FITTING, FUEL LINE BLOCK	1	
12.2	7100292	ELBOW, 1/8" NPTM x 1/8" NPTF	1	
12.3	7100430	1/4" HB x 1/8" NPTM	1	
12.4	7100622	NIPPLE, 1/8" x CLOSE	1	
12.5	7100822	PLUG, 1/8" SHUTOFF	1	
†	12.6	BOLT, 1/4"-20 x 1" GR5	2	
†	12.7	WASHER, 1/4" FLAT	2	
†	12.8	NUT, 1/4"-20 NYLOCK	2	
13	7104129	BATTERY BOX W/ COVER & STRAP	1	
14	7108432	NOZZLE KIT, 5PC WS3500	1	
14.1	7100389	GROMMET, 7/16" ID	4	
14.2	7101683	NOZZLE SET, 4.0 5PC 1/4" QC-M	1	
15	7106959	TENSIONER KIT, WS5040 PUMP SPRING	1	
15.1	7101170	SPRING, BELT GUARD TENSIONER	1	
15.2	7104877	SPACER, SPRING LOCATOR	1	
†	15.3	NUT SPRING EYE	1	
†	15.4	SCREW, 10-32 X .5 PAN HEAD PHILLIPS	1	
†	15.5	BOLT, M6 x 1 x 40MM	1	
16	7102101	PUL0032 Pulley 23V365 H- Style Bore	1	
17	7101025	PUL0025 Pulley 2 3V 8.75H Sheave	1	
18	7100174	BUSHING, H x 24MM	1	
19	7100173	BUSHING, H x 1	1	
20	7100090	Belt, 3V x 500 GATES	2	
21	7103716	Gun & Wand Kit	1	
21.1	7108134	GUN, 5075PSI 12GPM 3/8NPTF IN 1/4NPTF	1	
21.2	7100551	LANCE, 48" INSULATED	1	
21.3	7100021	SOCKET, O-RING SEAL	1	
22	7100477	HOSE, 3/8" x 50' x 5000PSI RUBBER	1	
23	7103709	CHEMICAL INJECTOR KIT #2	1	
* <	24	7106053	MANUAL, WATER SHOTGUN SERIES	1
* >	25	7102311	Box, Shipping 13 x 13 x 25 3/16	1

* NOT SHOWN

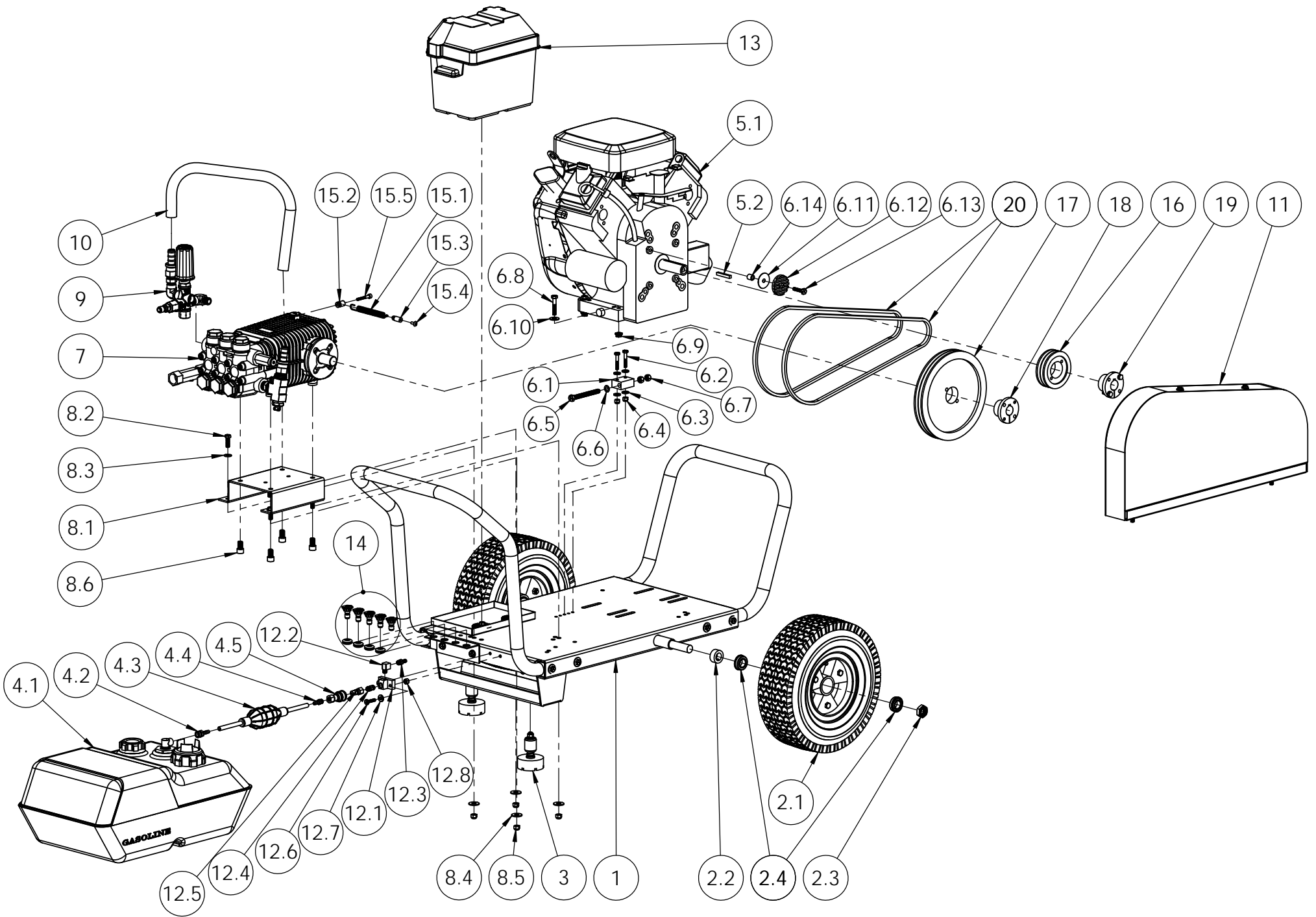
† NOT SOLD SEPERATELY

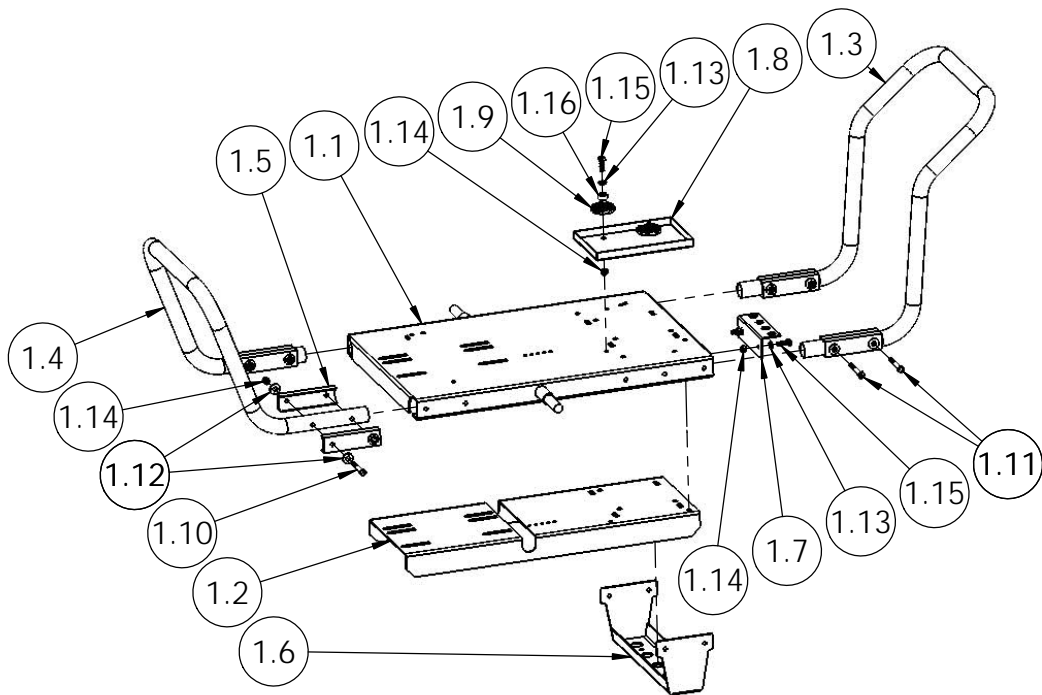
< GENERAL PUMP VERSION

> COMET VERSION



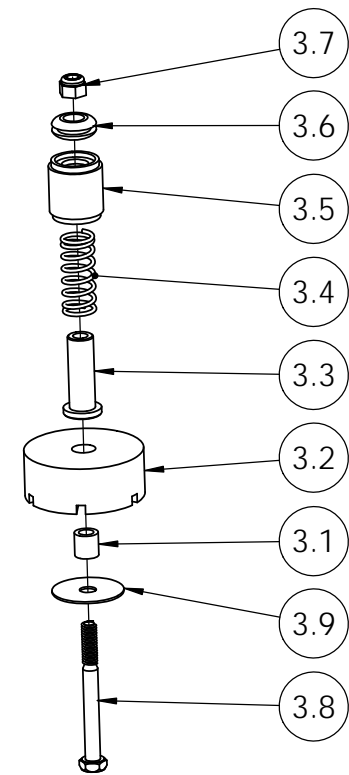
DRAWN		NAME	DATE	FNA-GROUP	
KDB			7/9/2015	1265 INDUSTRIAL STREET, DECATUR, AR 72722	
CHECKED		-	-	TITLE:	
ENG APPR.		-	-	WS4050 WATER SHOTGUN	
MFG APPR.		-	-		
O.A. APPR.		-	-		
SERVICE APPR.		-	-		
<p>PROPRIETARY AND CONFIDENTIAL</p> <p>THE INFORMATION CONTAINED IN THIS DRAWING IS THE SOLE PROPERTY OF FNA-GROUP. ANY REPRODUCTION IN PART OR AS A WHOLE WITHOUT THE WRITTEN PERMISSION OF FNA-GROUP IS PROHIBITED.</p>					
SIZE	DWG. NO.			REV.	
A	60242			A	
SCALE:	N/A	ECN#	DC15-0075	SHEET 1 OF 9	





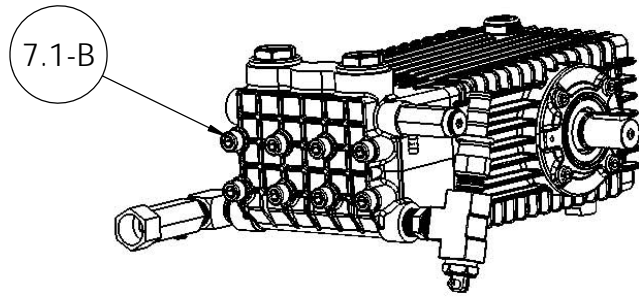
FRAME, WS SERIES SVC ASSY
PART NO. 7106949

ITEM NO.	PART NO.	DESCRIPTION	QTY.
1.1	7104732	FRAME, BASE WS5040	1
1.2	7104733	SUB-FRAME, BASE WATER SHOT LARGE	1
1.3	7105253	HANDLE, REAR WATER SHOT	1
1.4	7105248	HANDLE, FRONT WATER SHOT	1
1.5	7104854	INSERT, HANDLE	8
1.6	7104734	BRACKET, FOOT WS SERIES	1
1.7	7104856	NOZZLE HOLDER 4PC	1
1.8	7106041	BATTERY TRAY, WS5040	1
1.9	7101373	WASHER, RUBBER BUMPER	2
1.10		BOLT, 5/16"-18 x 2 1/4"	4
1.11		BOLT, 5/16"-18 x 2 1/2"	4
1.12		WASHER, 5/16"	16
1.13		WASHER, FLAT 5/16"	4
1.14		NUT, 5/16"-18 NYLOCK	12
1.15		BOLT, 5/16"-18 x 1"	4
1.16		SPACER, BACK 3/4" OD	2

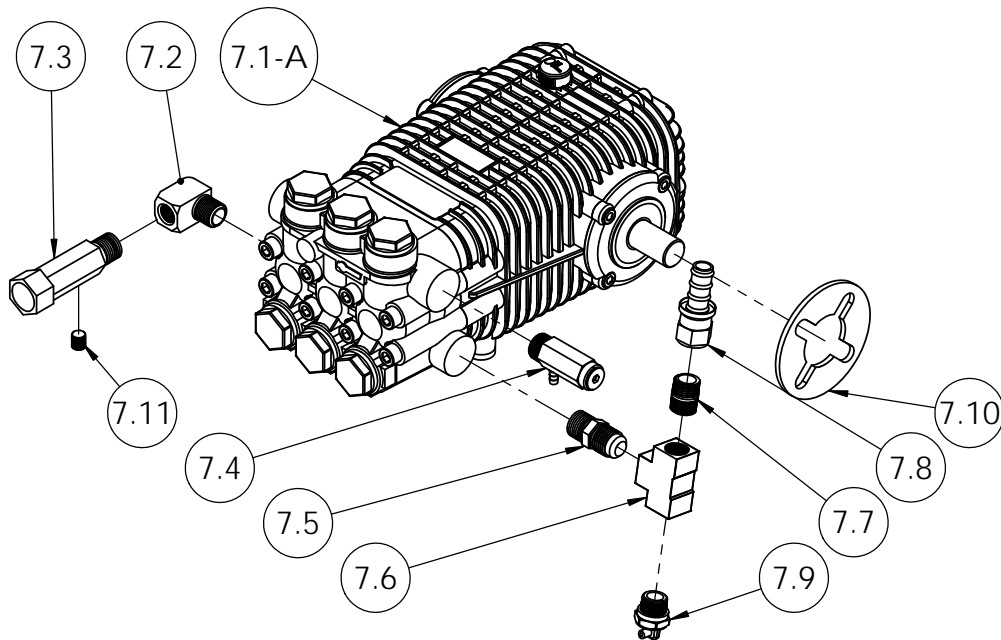


FOOT KIT, WS SERIES SPRING
PART NO. 7106951

ITEM NO.	PART NO.	DESCRIPTION	QTY.
3.1	7101156	SHOE SLEEVE	1
3.2	7101125	RUBBER FOOT	1
3.3	7101157	SPRING SLEEVE	1
3.4	7101169	SPRING, WS SERIES FOOT	1
3.5	7101524	HOUSING, FOOT SPRING	1
3.6	7100389	GROMMET, 7/16" ID	1
3.7		NUT, 5/16"-18 NYLOCK	1
3.8		BOLT, 5/16"-18 x 3"	1
3.9		WASHER, 5/16" FENDER	1

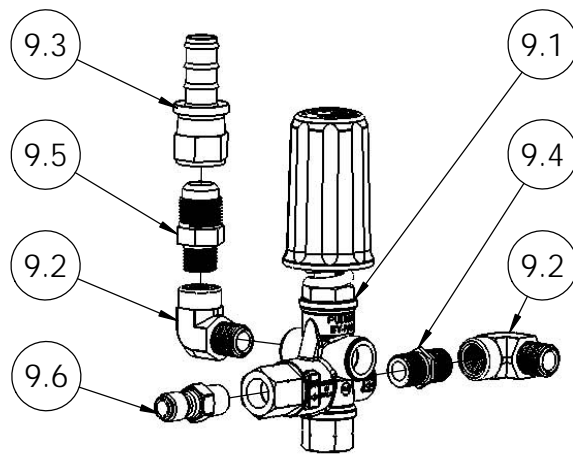


PART NO. FOR GP SVC ASSY 7108434



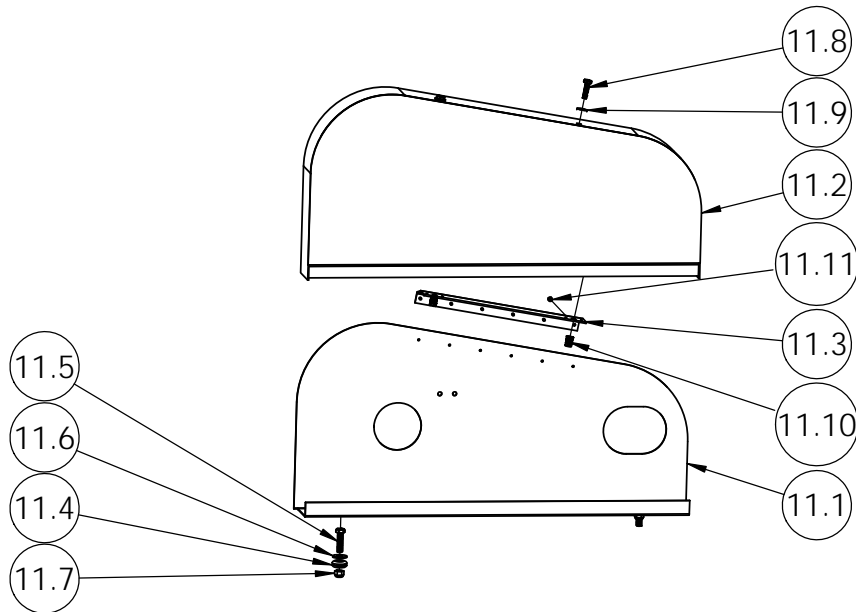
PUMP, WS5040 SVC ASSY
PART NO. FOR COMET SVC ASSY 7108430

ITEM NO.	PART NO.	DESCRIPTION	QTY.
7.1-A	7105798	TW5050S COMET PUMP, 5000PSI @ 5.2GPM	1
7.1-B	7101033	GP PUMP, TSP1819	1
7.2	7200103	ELBOW, 1/2" 90° ST.	1
7.3	7101999	3/4" GARDEN HOSE INLET	1
7.4	7200118	RELIEF VALVE, 5000PSI	1
7.5	7102405	ADAPTER 1/2" NPTM x 5/8"-45° FLARED	1
7.6	7101263	TEE, 1/2" NPTF	1
7.7	7100603	NIPPLE, 1/2" CLOSE	1
7.8	7104717	FITTING, 5/8" HB X 5/8" NPTF	1
7.9	7101331	RELIEF VALVE, 1/2" NPTM THERMAL	1
7.10	7101037	PUMP BUMPER	1
7.11	7100814	PLUG, 1/4" HEX-HEAD	1



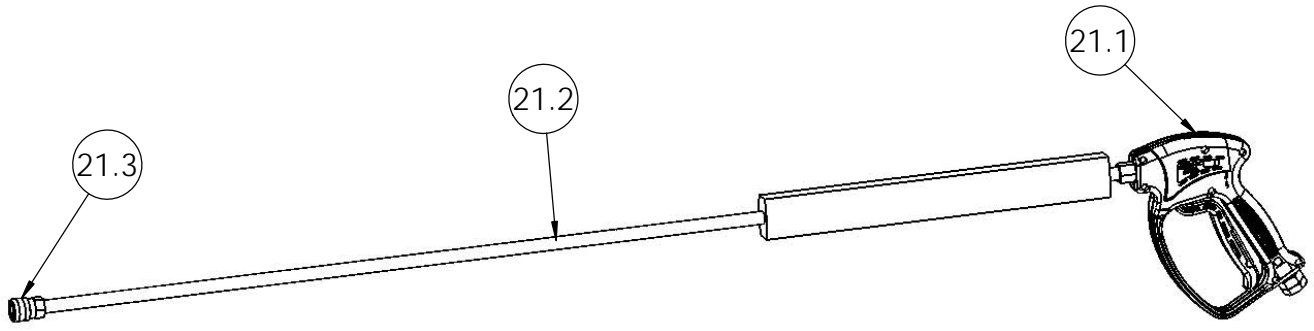
UNLOADER, WS4050 SERIES SVC ASSY
PART NO. 7108431

ITEM NO.	PART NO.	DESCRIPTION	QTY.
9.1	7105891	UNLOADER, PULSAR4KHPEZ	1
9.2	7100287	ELBOW, 3/8" NPTM x 3/8" NPTF	2
9.3	7104717	FITTING, 5/8" HB X 5/8" NPTF	1
9.4	7100621	NIPPLE 3/8 X 3/8 HEXSTEEL	1
9.5	7200032	ADAPTOR 5/8" FLARE x 3/8" M	1
9.6	7101079	COUPLER, .38 QD-M X .38 NPT-M	1

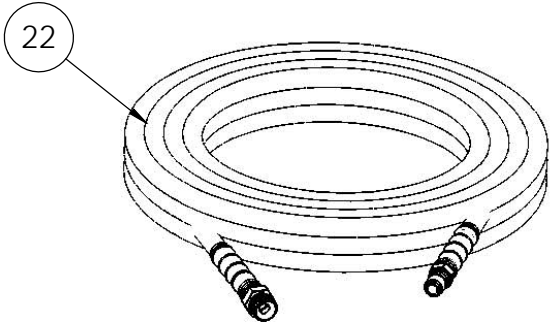


BELT-GUARD, WS5040 SVC ASSY
PART NO. 7106961

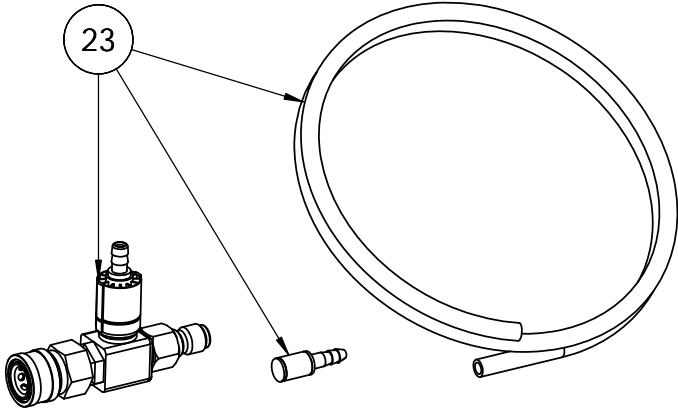
ITEM NO.	PART NO.	DESCRIPTION	QTY.
11.1	7104727	BELTGUARD, BACK 5040 WATER SHOT	1
11.2	7104729	BELTGUARD, FRONT 5040 WATER SHOT	1
11.3	7104845	BELT GUARD BRACKET	1
11.4	7100389	GROMMET, 7/16" ID	2
11.5		BOLT, 5/16" - 18 x 1 1/4"	2
11.6		WASHER, 5/16"	2
11.7		NUT, 5/16"-18 NYLOCK	2
11.8		BOLT, 1/4"-20 x 1" GR5	2
11.9		WASHER, 1/4" FLAT	2
11.10		NUT, CLINCH, 1/4"-20	2
11.11		RIVET, AN430-A4-6 ALUMINUM	6



GUN & WAND KIT
PART NO. 7103716



HOSE, 3/8" x 50' x 5000PSI RUBBER
PART NO. 7100477



CHEMICAL INJECTOR KIT #2
PART NO. 7103709