

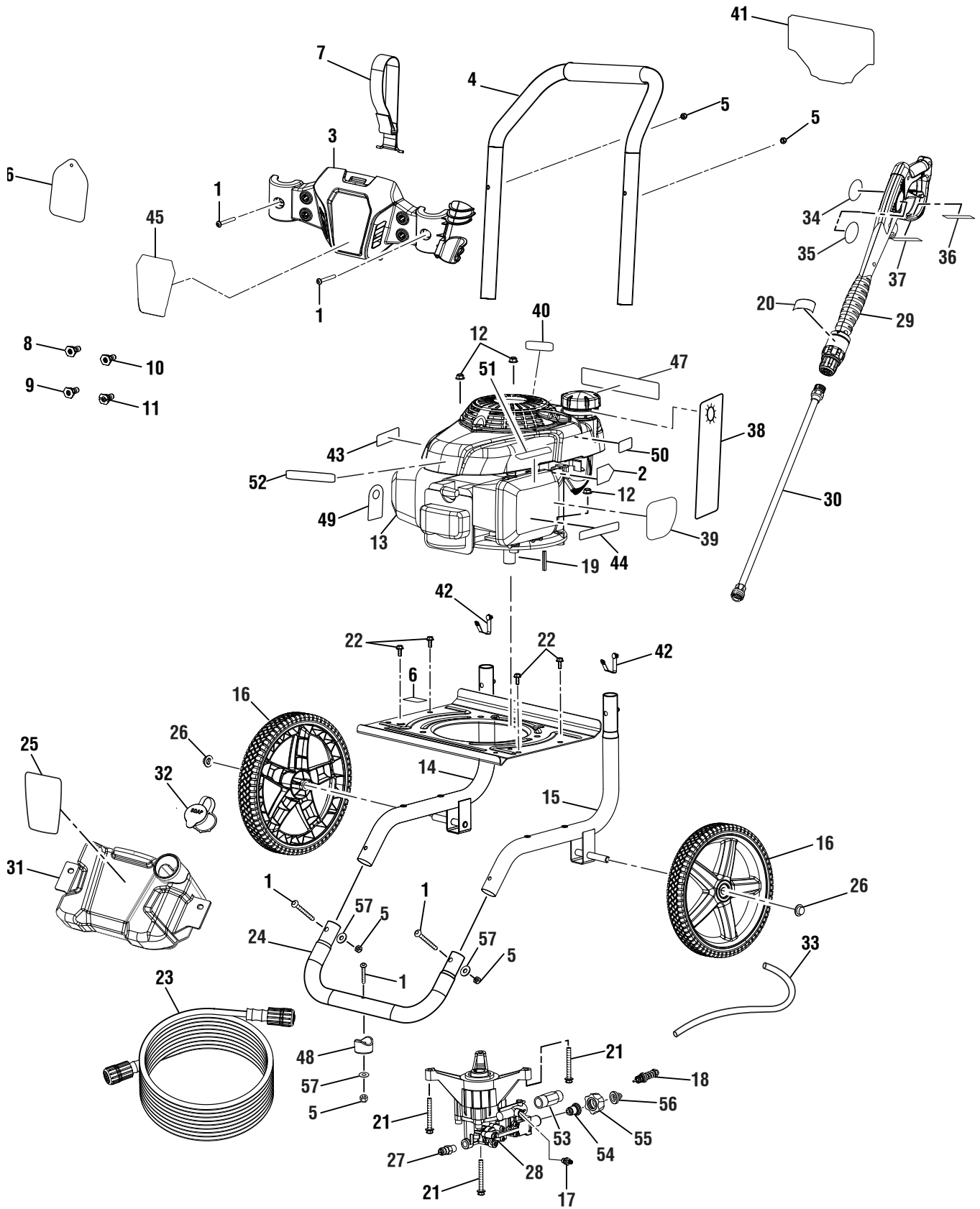


**Pressure Washer  
Manufacturing No. 090079359  
Item No. RY803000  
Replacement Parts List**

**TECHTRONIC INDUSTRIES POWER EQUIPMENT**

1428 Pearman Dairy Road, Anderson, SC 29625 USA  
1-800-860-4050 • [www.ryobitools.com](http://www.ryobitools.com)

RYOBI PRESSURE WASHER MODEL NO. RY803000



## RYOBI PRESSURE WASHER MODEL NO. RY803000

The model number will be found on a label attached to the engine plate. Always mention the model number in all correspondence regarding your **PRESSURE WASHER** or when ordering replacement parts.

| KEY PART<br>NO. NUMBER | DESCRIPTION  | QTY | KEY PART<br>NO. NUMBER | DESCRIPTION                                       | QTY |
|------------------------|--|-----|------------------------|---|-----|
| 1                      | 661503015 Screw (M6 x 48 mm, T30 Torx Hd.).....                        | 5   | 31                     | 580875014 Soap Tank .....                         | 1   |
| 2                      | 941550005 Engine On/Off Label.....                                     | 1   | 32                     | 310650004 Soap Tank Cap.....                      | 1   |
| 3                      | 310673029 Hose and Nozzle Holder .....                                 | 1   | 33                     | 570728009 Chemical Siphon Tube .....              | 1   |
| 4                      | 308638060 Handle w/Foam.....   | 1   | 34                     | 940786035 Trigger Handle Logo Label.....          | 1   |
| 5                      | 678610006 Lock Nut (M6).....   | 5   | 35                     | 940654084 Trigger Handle Warning Label (Eng)....  | 1   |
| 6                      | 940871016 Oil Fill Location Label.....                                 | 1   | 36                     | 940654228 Trigger Handle Warning Label (Fr/Sp) .. | 1   |
| 7                      | 308350003 Hose Holder Strap.....                                       | 1   | 37                     | 940786020 Trigger Handle Rating Label.....        | 1   |
| 8                      | 308700030 40° Nozzle .....   | 1   | 38                     | 940473012 Danger Hangtag.....                     | 1   |
| 9                      | 308706011 Soap Nozzle .....  | 1   | 39                     | 940698019 Engine Control Label.....               | 1   |
| 10                     | 308699029 25° Nozzle.....  | 1   | 40                     | 940947010 Combustion Label.....                   | 1   |
| 11                     | 308697029 0° Nozzle .....  | 1   | 41                     | 940617147 Quick Start Label.....                  | 1   |
| 12                     | 678774002 Flange Nut (M8 x 1.25).....                                  | 3   | 42                     | 308421004 Lock Button w/Spring Clip.....          | 2   |
| 13                     | Note A Engine (Honda GCV 160) .....                                    | 1   | 43                     | 940680027 Hot Surface Label .....                 | 1   |
| 14                     | 310703012 Main Frame Assembly<br>(Left, Inc. Key No. 42).....          | 1   | 44                     | 940803288 EMC Label.....                          | 1   |
| 15                     | 310704013 Main Frame Assembly<br>(Right, Inc. Key No. 42) .....        | 1   | 45                     | 940617189 Performance Label.....                  | 1   |
| 16                     | 308451053 Wheel .....  | 2   | 46                     | 961039005 Nozzle Hangtag.....                     | 1   |
| 17                     | 308452002 Detergent Suction Kit.....                                   | 1   | 47                     | 940894012 Danger Label.....                       | 1   |
| 18                     | 310924003 Pump Unloader Valve.....                                     | 1   | 48                     | 570554002 Wear Pad.....                           | 1   |
| 19                     | 678041007 Output Shaft Key.....  | 1   | 49                     | 961454001 Dipstick Hangtag.....                   | 1   |
| 20                     | 941743004 Trigger Handle Power Control Label ....                      | 1   | 50                     | 940872003 No E85 Label.....                       | 1   |
| 21                     | 660962003 Bolt (M8 x 60 mm, Flange Hd.) .....                          | 3   | 51                     | 941486008 Inquiries Label .....                   | 1   |
| 22                     | 661505020 Bolt (M6 x 16 mm, Flange Hd.) .....                          | 4   | 52                     | 941714004 Honda Brand Label .....                 | 1   |
| 23                     | 308835006 Hose.....  | 1   | 53                     | 308862003 Outlet Tube.....                        | 1   |
| 24                     | 310742028 Front Frame(Inc. Key Nos. 1, 5, 48<br>& 57) .....            | 1   | 54                     | 642058001 Spindle .....                           | 1   |
| 25                     | 940608020 Detergent Tank Label .....                                   | 1   | 55                     | 310993003 Collar.....                             | 1   |
| 26                     | 679957001 Push Cap Nut.....  | 2   | 56                     | 308662001 Filter Screen (Pump Inlet).....         | 1   |
| 27                     | 678169004 Thermal Release Valve .....                                  | 1   | 57                     | 638128004 Washer (1/4 in.) .....                  | 3   |
| 28                     | 308653052 Pump (Inc. Keys Nos 17-18 & 53-56)...                        | 1   | <b>Not Shown:</b>      |   |     |
| 29                     | 308760054 Trigger Handle Assembly (Inc.<br>Keys Nos. 20 & 35-37) ..... | 1   | 995000090              | Operator's Manual                                 |     |
| 30                     | 308506014 Extension Wand .....   | 1   | 995000091              | Quick Start Guide                                 |     |
|                        |  |     | 900333015              | Wire Tie  |     |
|                        |  |     | 519314001              | Funnel  |     |

**NOTE A:** OWT Industries, Inc., will not provide engines as replacement parts. Engines are covered through the engine manufacturer's warranty. Consult the accompanying engine manual or contact our service department for assistance.