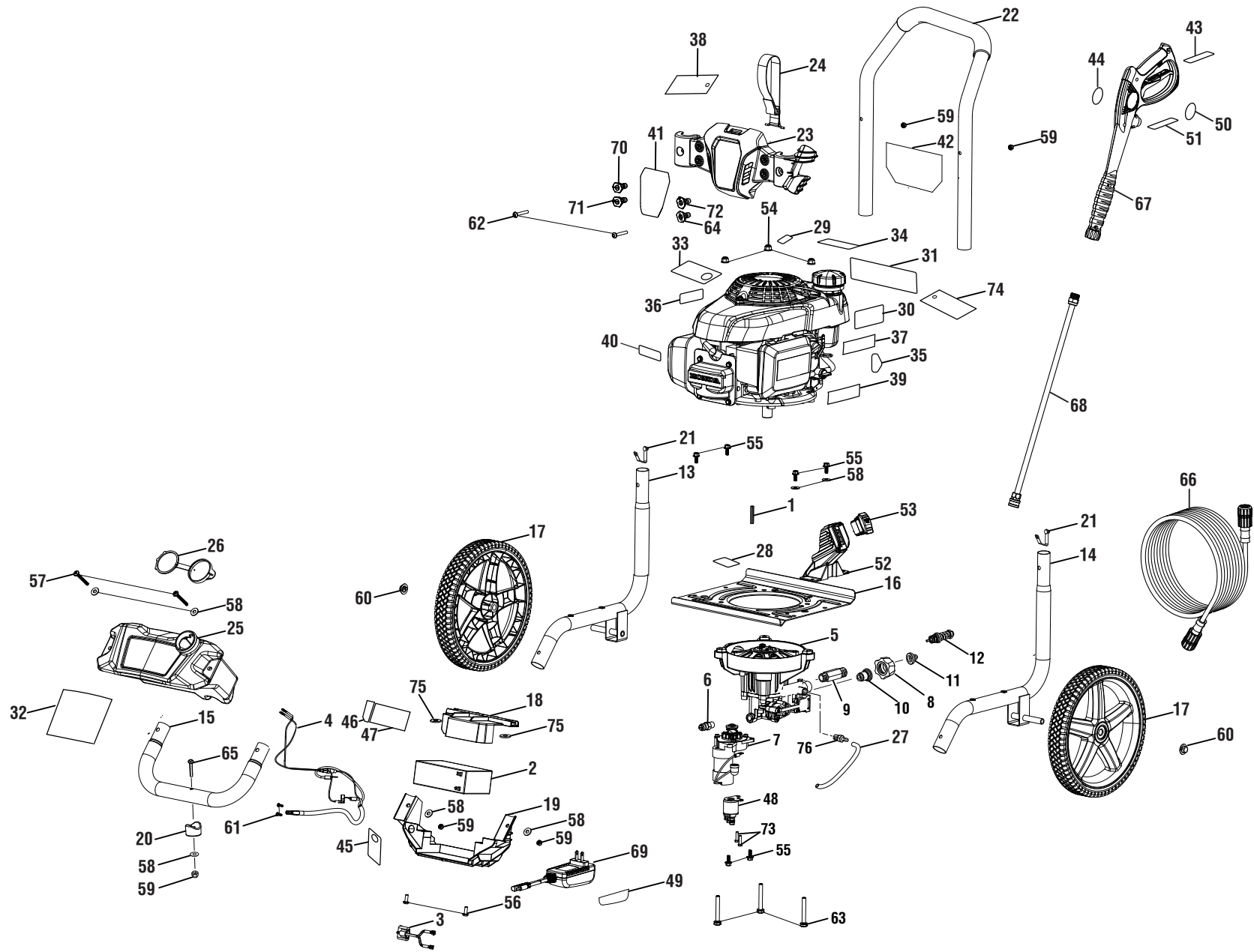


RYOBI
Manufacturing No. 090079331
Item No. RY803000E
Replacement Parts List

TECHTRONIC INDUSTRIES POWER EQUIPMENT

1428 Pearman Dairy Road
Anderson, SC 29625 USA
1-800-860-4050

RYOBI PRESSURE WASHER – ITEM NO. RY803000E



RYOBI PRESSURE WASHER – ITEM NO. RY803000E

The model number will be found on a label attached to the engine. Always mention the model number in all correspondence regarding your **PRESSURE WASHER** or when ordering replacement parts.

KEY NO.	PART NUMBER	DESCRIPTION	QTY	KEY NO.	PART NUMBER	DESCRIPTION	QTY
1	678041007	Output Shaft Key	1	42	940851273	Quick Start Label	1
2	750400008	Battery (12V, 4.5Ah)	1	43	940654228	Trigger Handle Warning Label (French/Spanish)	1
3	290435052	Battery and Charger Wire Harness	1	44	940786035	Spray Wand Logo Label	1
4	290435045	Wiring Harness (Battery to Relay)	1	45	940851274	Battery Connection Hangtag	1
5	308653084	Pump (Incl. Key Nos. 8-12 & 76)	1	46	940851275	Battery Charging Port Label	1
6	678169004	Thermal Release Valve	1	47	940851276	Battery Charging Warnings Label	1
7	291691001	E-Start Motor Assembly	1	48	870280001	Relay Assembly	1
8	310993003	Inlet Filter Adapter Insert	1	49	940780025	Battery Maintainer Label	1
9	308862003	Outlet Tube	1	50	940654084	Trigger Handle Warning Label (Eng)	1
10	642058001	Inlet Filter Connector	1	51	940786047	Trigger Handle Specifications Label	1
11	308662001	Inlet Filter Screen	1	52	528743005	Switch Bracket	1
12	310924003	Unloader Valve Assembly	1	53	270290024	Start Switch	1
13	310703012	Left Frame Assembly (Incl. Key No. 21)	1	54	678774002	Lock Nut (M8)	3
14	310704013	Right Frame Assembly (Incl. Key No. 21)	1	55	661505020	Bolt (M6 x 16 mm, Hex Flange Hd.)	6
15	310742028	Front Frame Assembly (Incl. Key Nos. 20, 58-59 & 65) ..	1	56	638671014	Bolt (M6 x 16 mm, T-30 Torx Pan Hd.)	2
16	638662043	Engine Plate	1	57	660224010	Bolt (M6 x 50 mm, T-30 Torx Pan Hd.)	2
17	308451053	Wheel	2	58	638128004	Washer (1/4 in.)	7
18	528743003	Battery Retainer	1	59	678610006	Lock Nut (M6)	5
19	528743002	Battery Mount Bracket	1	60	679957001	Cap Nut	2
20	570554002	Wear Pad	1	61	660923018	Screw (M4 x 12 mm, T20 Torx Pan Hd.)	2
21	308421004	Handle Spring Clip	2	62	661834004	Bolt (M6 x 42 mm, T30 Torx Pan Hd.)	2
22	308638060	Handle Assembly	1	63	660962003	Bolt (M8 x 60 mm, Hex Flange Hd.)	3
23	310673029	Hose and Nozzle Holder Assembly	1	64	308706011	Soap Nozzle	1
24	308350003	Hose Holder Strap	1	65	661503015	Screw (M6 x 48 mm, T-30 Torx Hd.)	1
25	580875024	Soap Tank	1	66	308835006	Hose (25 ft.)	1
26	310650004	Soap Tank Cap	1	67	308760019	Trigger Handle Assembly (Incl. Key Nos. 50-51)	1
27	570728010	Chemical Siphon Tube	1	68	308506014	Spray Wand	1
28	940871016	Add Oil Label	1	69	140173031	Battery Charger	1
29	940947010	Combustion Warning Label	1	70	308697029	0° Nozzle	1
30	940851268	Choke Label	1	71	308699029	25° Nozzle	1
31	940894012	Danger Label	1	72	308700030	40° Nozzle	1
32	940851269	Soap Tank Label	1	73	660938003	Bolt (M5 x 20 mm)	2
33	961454001	Oil Dipstick Hangtag	1	74	940473012	Danger Hangtag (French/English/Spanish)	1
34	940872003	E85 Label	1	75	518724008	Washers (M6)	2
35	940851315	On/Off Label	1	76	308452002	Soap Injector Kit	1
36	940680027	Hot Surface	1			Not Shown:	
37	941486008	Inquiries Label	1		995000245	Operator's Manual	
38	961039005	Nozzle Hangtag	1		995000246	Quick Start Guide	
39	940803288	EMC ICES-2/NMB-2 Label	1		519314001	Funnel	
40	940851270	Electric Start Label	1		900333015	Wire Tie	
41	940851272	Performance Label	1				