

# Mi-T-M<sup>®</sup> CORPORATION

8650 Enterprise Drive, Peosta IA 52068-0050

(319) 556-7484 / Fax 319-556-1235

## PARTS LIST FOR

# HS-2204-BMH1/CMH1

# HS-2505/3005-CMV1

(AFTER SERIAL #15610)

<b>Engine Oil Capacity &amp; Grade:</b>	Honda (37 oz.): Vanguard (56 oz.):	SAE 10W-30 Above 40°F=SAE 30 Below 40°F=SAE 10W-30
<b>Pump Oil Capacity:</b>	HS-2204-BMH1/CMH1: HS-2505/3005-CMV1:	33.8oz 40.6oz.
<b>Pump Oil Grade:</b>		Mi-T-M #AW-4085-0016
<b>BTU Input:</b>	HS-2204-BMH1/CMH1: HS-2505/3005-CMV1:	372,600 per hour 450,000 per hour
<b>Pressure Nozzle Size:</b>	HS-2204-BMH1/CMH1: HS-2505/3005-CMV1:	5.0 5.5

This Parts Listing has been compiled for your benefit. You can be assured your Mi-T-M hot water pressure washer was constructed and designed with quality and performance in mind using over 25 years experience in the pressure washer business. Each component has been rigorously tested to insure the highest level of acceptance.

The contents of this Parts Listing are based on the latest product information available at the time of publication. Mi-T-M reserves the right to make changes in price, color, materials, equipment, specifications or models at any time without notice.

### **WARNING**

THIS IS A PROFESSIONAL HIGH PRESSURE, HOT WATER PRESSURE WASHER. CAUTION SHOULD BE OBSERVED WHEN USING OR REPAIRING THIS UNIT! READ AND FOLLOW THE SAFETY WARNINGS LISTED BELOW BEFORE ATTEMPTING ANY REPAIRS ON THIS PRESSURE WASHER!

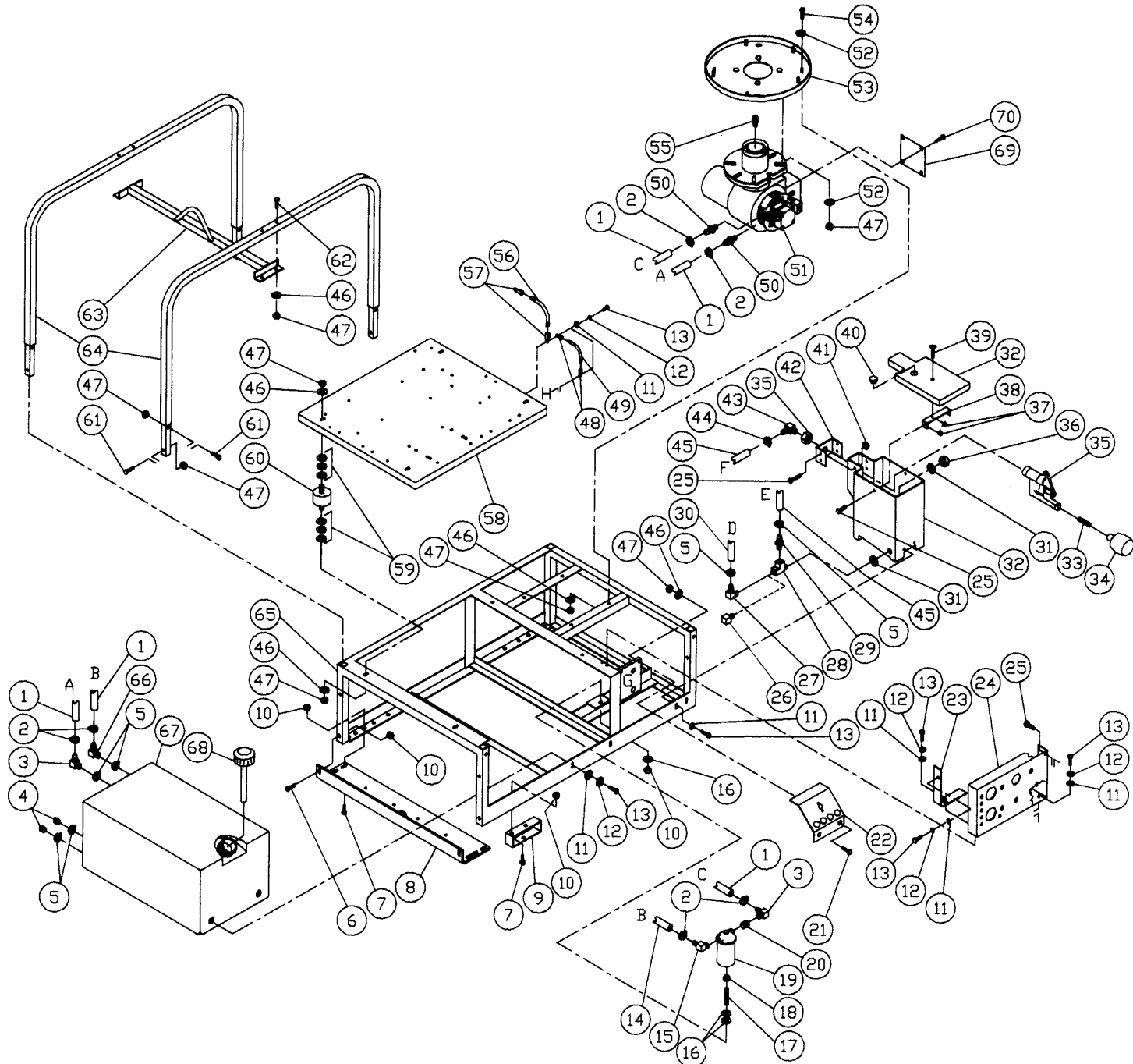
### **SAFETY WARNINGS**

1. NEVER alter or modify the equipment. Be sure any accessory items and system components being used will withstand the pressure developed. Use only genuine Mi-T-M parts for repair of your pressure washer. Failure to do so can cause hazardous operating conditions and will VOID warranty.
2. NEVER make adjustments on machinery while the unit is connected to the engine without first removing the ignition cable from the spark plug. Turning over the machinery by hand during adjustment or cleaning might start the engine and machinery with it, causing serious injury to the operator.
3. Know how to stop and bleed pressures quickly. Be thoroughly familiar with controls.
4. Before servicing the unit, turn unit off, relieve the water pressure and allow the unit to cool down. Do not make repairs while the unit is running. Service in a clean, dry, flat area. Block the wheels to prevent the unit from moving. Be especially careful to properly dispose of any flammable materials.
5. After testing the machine, DO NOT leave the pressurized unit unattended. Shut off the unit and release trapped pressure before leaving.

# TABLE OF CONTENTS

FRAME ASSEMBLY FOR HS-2204-BMH1/CMH1 & HS-2505/3005-CMV1 .....	4
BURNER ASSEMBLY (4-0009) .....	6
FUEL PUMP (3-0020) & SOLENOID (44-0038) ASSEMBLY .....	7
BOILER ASSEMBLY .....	8
MOTOR/PUMP ASSEMBLY FOR HS-2204-BMH1 .....	10
MOTOR/PUMP ASSEMBLY FOR HS-2204-CMH1 .....	12
MOTOR/PUMP ASSEMBLY FOR HS-2505/3005-CMV1 .....	14
ENGINE ASSEMBLY FOR HS-2505-CMV1 (850-0152) & HS-3005-CMV1 (850-0151) .....	16
PUMP ASSEMBLY (3-0008) .....	18
PUMP ASSEMBLY (3-0011) .....	20
UNLOADER ASSEMBLY (8-0012 & 8-0013) .....	22
PRESSURE SWITCH (850-0173) .....	23
CONTROL PANEL FOR HS-2204-BMH1 .....	24
CONTROL PANEL FOR HS-2204-CMH1 & HS-2505/3005-CMV1 .....	26
WIRING DIAGRAM FOR HS-2204-BMH1 .....	28
SCHEMATIC DIAGRAM FOR HS-2204-BMH1 .....	29
WIRING DIAGRAM FOR HS-2204-CMH1 & HS-2505/3005-CMV1 .....	30
SCHEMATIC DIAGRAM FOR HS-2204-CMH1 & HS-2505/3005-CMV1 .....	31
WATER STRAINER (19-0004) .....	32
DETERGENT INJECTOR (850-0183) .....	33
GUN/WAND (850-0179) & DUAL LANCE (850-0186) ASSEMBLY .....	34
GUN (850-0181) & DUAL LANCE (850-0178) ASSEMBLY .....	36
DECAL PLACEMENT FOR HS-2204-BMH1/CMH1 .....	38
DECAL PLACEMENT FOR FOR HS-2505/3005-CMV1 .....	39
WHEEL KIT (AW-5540/5640-0000) .....	40
STEAM OPTION (HX-0015) FOR HS-2204-BMH1 .....	42
WIRING DIAGRAM FOR STEAM OPTION (HX-0015) FOR HS-2204-BMH1 .....	44
SCHEMATIC DIAGRAM FOR STEAM OPTION (HX-0015) FOR HS-2204-BMH1 .....	45
STEAM OPTION (HX-0016) FOR HS-2204-CMH1 & HS-2505/3005-CMV1 .....	46
WIRING DIAGRAM FOR STEAM OPTION (HX-0016) FOR HS-2204-CMH1HS-2505/3005-CMV1 .....	48
SCHEMATIC FOR STEAM OPTION (HX-0016) FOR HS-2204-CMH1 & HS-2505/3005-CMV1 .....	49
CADIUM CELL (HX-0033) FOR HS-2204-BMH1/CMH1 & HS-2505/3005-CMV1 .....	50
WIRING DIAGRAM FOR CADMIUM CELL (HX-0033) FOR HS-2204-BMH1 .....	51
WIRING DIAGRAM FOR CADMIUM CELL (HX-0033) HS-2204-CMH1 & HS-2505/3005-CMV1 .....	51
STEAM OPTION (HX-0015) PLUS CADMIUM CELL OPTION (HX-0033) WIRING DIAGRAM FOR HS-2204-BMH1 .....	52
STEAM OPTION (HX-0015) PLUS CADMIUM CELL OPTION (HX-0033) SCHEMATIC DIAGRAM FOR THE HS-2204-BMH1 .....	53
STEAM OPTION (HX-0016) PLUS CADMIUM CELL OPTION (HX-0033) WIRING DIAGRAM FOR THE HS-2204-CMH1 & HS-2505/3005-CMV1 .....	54
STEAM OPTION (HX-0016) PLUS CADMIUM CELL OPTION (HX-0033) SCHEMATIC DIAGRAM FOR THE HS-2204-CMH1 & HS-2505/3005-CMV1 .....	55

# FRAME ASSEMBLY FOR HS-2204-BMH1/CMH1 & HS-2505/3005-CMV1

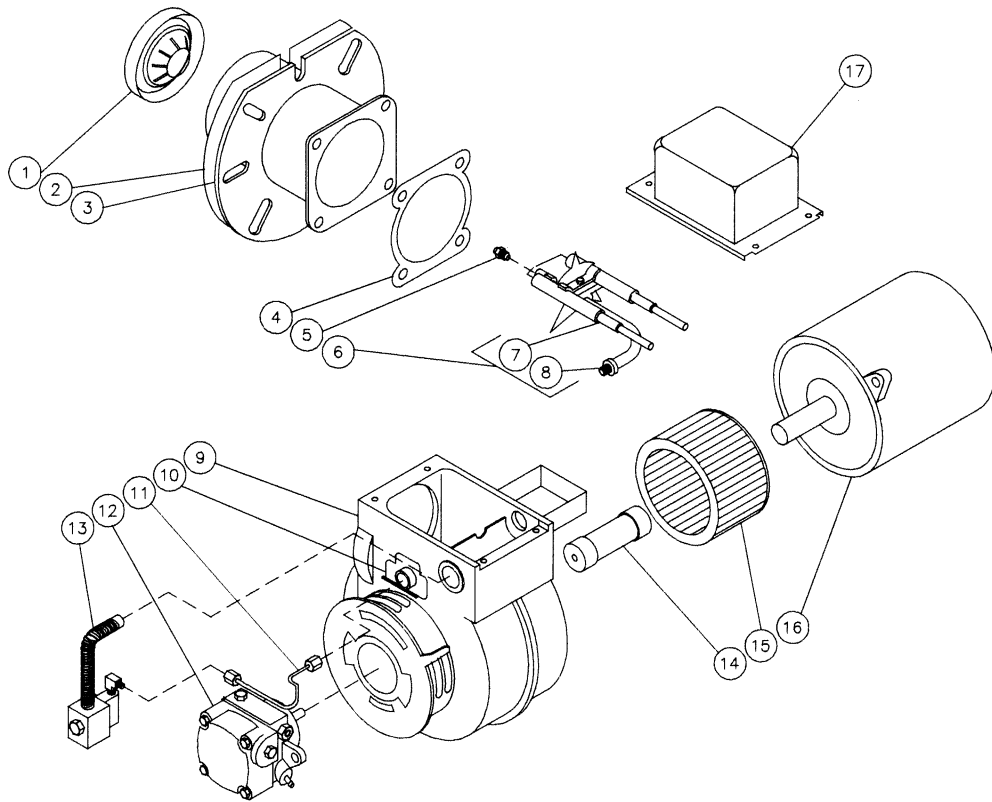


OMHS011-011096-JTR

FRAME ASSEMBLY FOR THE HS-2204-BMH1/CMH1 & HS-2505/3005-CMV1														
REF. #	DESCRIPTION	PART #	BMH1 QTY.	CMH1 CMV1 QTY.	REF. #	DESCRIPTION	PART #	BMH1 QTY.	CMH1 CMV1 QTY.	REF. #	DESCRIPTION	PART #	BMH1 QTY.	CMH1 CMV1 QTY.
1	Fuel Hose *(Three Feet Required)	15-0008	1	1	24	Panel ("C" version only)	62-0034	-	1	48	Terminal	32-0004	2	2
2	Hose Clamp	42-0004	6	6	25	Screw	27-2930	4	6	49	Wire *(One Foot Required)	32-0091	1	1
3	Elbow	23-0054	2	2	26	Plug ("B" version only)	39-0016	1	-	50	Hose Barb	23-0051	2	2
4	Plug	24-0009	2	2	27	Elbow ("C" version only)	23-0053	-	1	51	Oil Burner (120V)	4-0009	1	1
5	Hose Clamp	42-0011	7	7	28	Street Tee	23-0124	1	1	52	Washer	28-0022	10	10
6	Bolt	27-0121	2	2	29	Hose Barb	23-0036	1	1	53	Pan	850-0066	1	1
7	Bolt	27-0117	10	10	30	Hose *(Two Feet Required)	15-0007	1	1	54	Bolt	27-0067	4	4
8	Underbracket	20-0251A01	1	1	31	Washer	28-0051	2	2	55	Fuel Nozzle HS-2204-BMH1/CMH1	18-0177	1	1
9	Skid Foot	20-0312A01	4	4	32	Float Tank w/Lid	12-0035	1	1	-	Fuel Nozzle HS-2505/3005-CMV1	18-0178	1	1
10	Locknut	30-0159	9	9	33	Stud	31-3318	1	1	56	Cable *(Two Feet Required) ("C" version only)	32-0065	-	1
11	Washer	28-0002	6	10	34	Float	22-0059	1	1	57	Terminal ("C" version only)	32-0098	-	2
12	Lockwasher	29-0006	2	6	35	Float Valve	22-0058	1	1	58	Isolation Plate	5-0071A01	1	1
13	Bolt	27-0015	8	12	36	Nut	30-9506	1	1	59	Washer	28-0057	24	24
14	Fuel Hose *(Two Feet Required)	15-0020	1	1	37	U-clip Nut	30-2104	3	3	60	Vibration Pads	33-0028	4	4
15	Hose Barb	23-0074	1	1	38	Lid Bracket	56-0020	1	1	61	Bolt	27-0070	8	8
16	Washer	28-0023	3	3	39	Wing Bolt	27-2953	1	1	62	Bolt	27-0071	4	4
17	Stud	31-3245	1	1	40	Plug	39-0052	1	1	63	Lift Hook Assembly	20-0306A01	1	1
18	Nut	30-0006	1	1	41	Locknut	30-0154	4	4	64	Side Rail Assembly	20-0305A01	2	2
19	Fuel Oil Filter	19-0012	1	1	42	Float Support Bracket	20-0188A01	1	1	65	Skid Frame	5-0091A01	1	1
-	Fuel Oil Filter (Replacement)	19-0010	-	-	43	Elbow	23-0037	1	1	66	Elbow	23-0123	1	1
20	Bushing	23-0017	1	1	44	Hose Clamp	42-0003	1	1	67	Fuel Tank	12-0036	1	1
21	Bolt	27-0066	2	2	45	Hose *(Six Feet Required)	15-0033	1	1	68	Fuel Cap	12-0037	1	1
22	Panel ("B" version only)	20-0221A01	1	-	46	Washer	28-0003	10	10	69	Cover	33-0017	1	1
23	Panel Brace ("C" version only)	20-0259A01	-	1	47	Locknut	30-0157	32	32	70	Screw	N/A	4	4

\*Must Order in One Foot Lengths

## BURNER ASSEMBLY (4-0009)



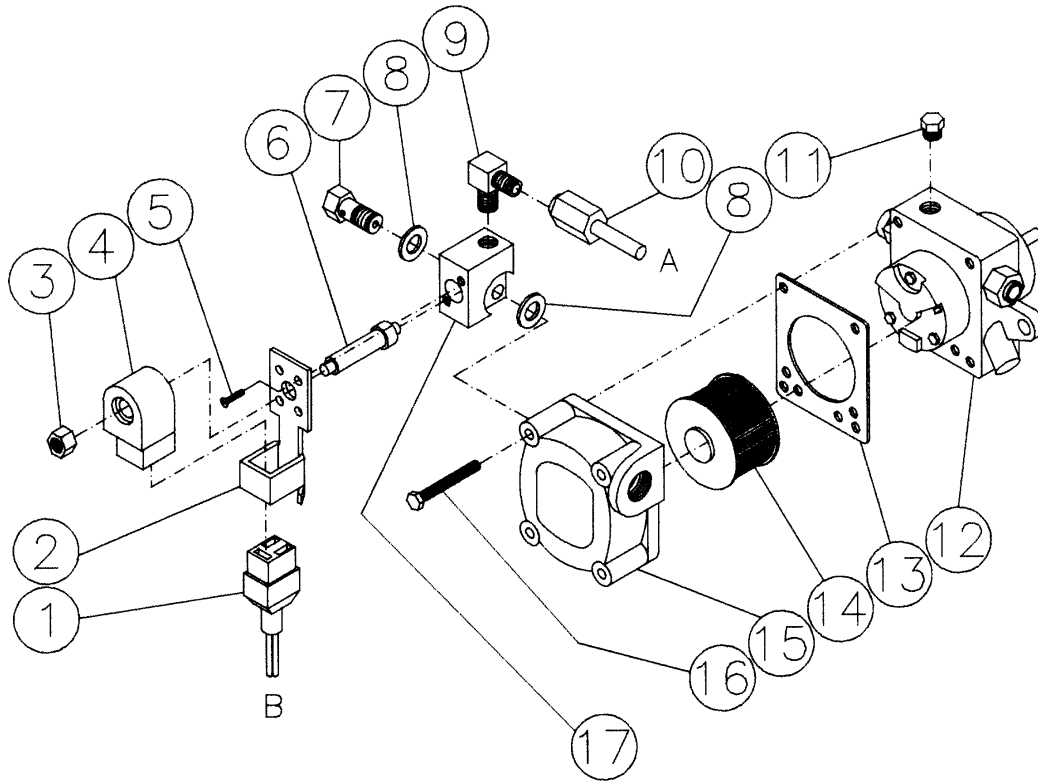
OMGEN216-062795-JTR

BURNER ASSEMBLY (4-0009)			
REF. #	DESCRIPTION	PART #	QTY.
1	Head	44-0010	1
2	Mounting Gasket	26-0062	1
3	Flange	38-0030	1
4	Gasket	26-0138	1
5	Oil Nozzle for HS-2204-BMH1/CMH1	18-0177	1
-	Oil Nozzle for HS-2505/3005-CMV1	18-0178	1
6	Nozzle Line Assembly (Includes 7, 8)	44-0043	1
7	Electrode Kit	70-0076	1
8	Bulkhead Fitting	70-0075	1
9	Burner Housing	44-0033	1
10	Escutcheon Plate	44-0031	1
11	Fuel Line	44-0026	1
12	Fuel Pump	3-0020	1
13	Fuel Solenoid (120V)	44-0038	1
14	Coupler	44-0014	1
15	Blower Wheel	44-0071	1
16	Motor (120V)	2-0068	1
17	Ignition Transformer (120V)	44-0017	1

OMGEN216-062795-JTR

## FUEL PUMP (3-0020) & SOLENOID (44-0038) ASSEMBLY

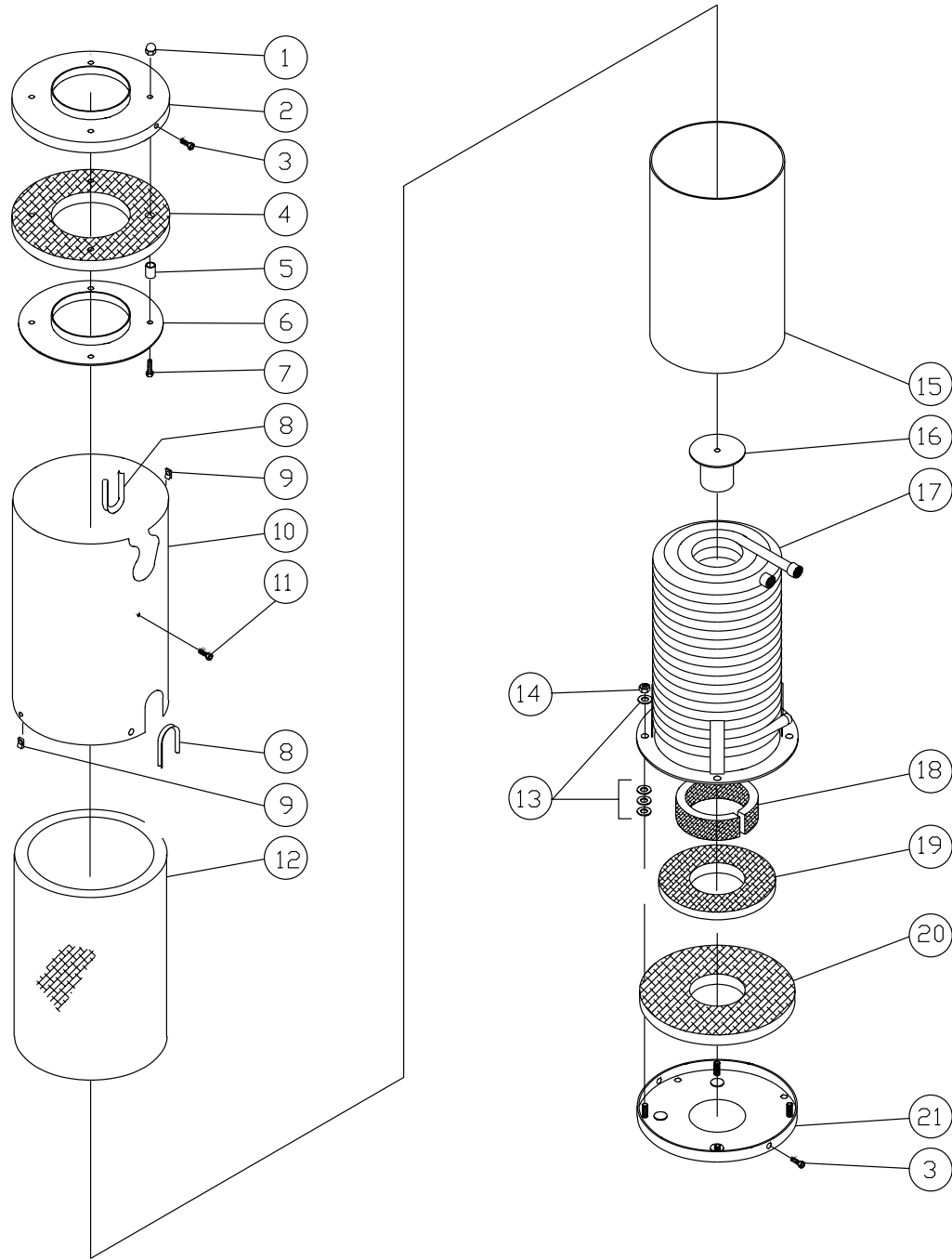
OMGEN220-080795-JTR



FUEL PUMP (3-0020) & SOLENOID (44-0038) ASSEMBLY			
REF. #	DESCRIPTION	PART #	QTY.
1	Cord-Din Connector	46-1017	1
2	Base Plate	N/A	1
3	Nut-Soleniod Piston	46-1016	1
4	Soleniod Coil (120V)	44-0002	1
5	Screw	N/A	2
6	Piston	46-1012	1
7	Bolt-Soleniod Adapter	46-1009	1
8	Washer	26-0150	2
9	Elbow	23-0083	1
10	Fuel Line	44-0025	1
11	Plug	24-0082	1
12	Fuel Pump Body	N/A	1
13	Cover Gasket	26-0109	1
14	Strainer-Fuel Pump	19-0034	1
15	Cover-Fuel Pump	46-1005	1
16	Screw-Fuel Pump Cover	46-1006	4
17	Soleniod Body	N/A	1
	Fuel Soleniod (120V) (Inc. 1-8, 17)	44-0038	1
	Fuel Pump (Inc. 11-16)	3-0020	1

OMGEN220-080795-JTR

# BOILER ASSEMBLY

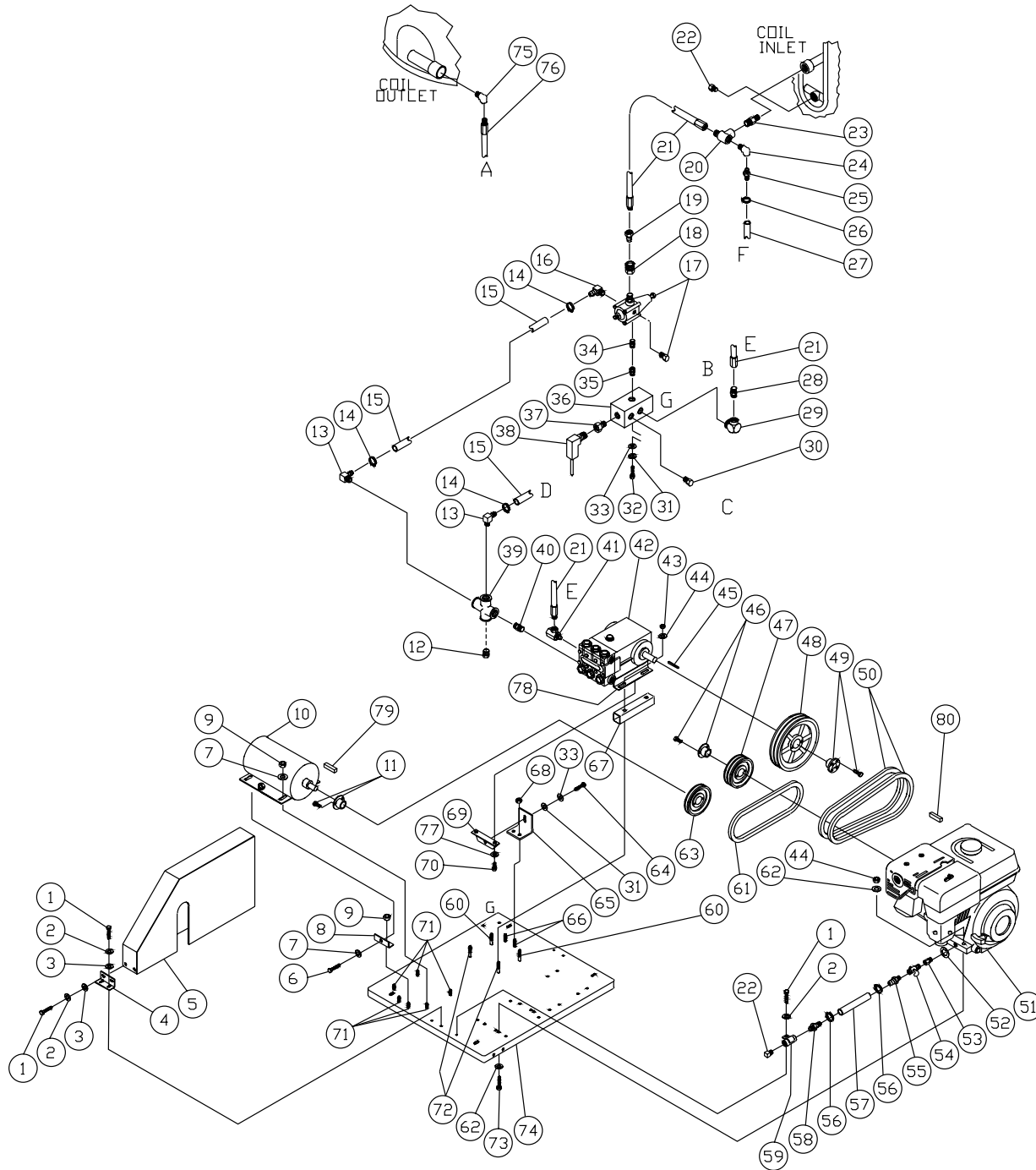


OMGEN007-061495-JTR



<b>BOILER ASSEMBLY</b>			
<b>REF. #</b>	<b>DESCRIPTION</b>	<b>PART #</b>	<b>QTY.</b>
1	Nut	30-5204	4
2	Dome	20-0234A01	1
3	Screw	27-2930	7
4	Insulation Donut	33-0124	1
5	Spacer	21-0082	4
6	Dome Insulation Retainer	20-0282	1
7	Bolt	27-0068	4
8	Edging *(Two Feet Required)	33-0020	1
9	Nut / U-Clip	30-2104	7
10	Outer Wrap Assembly (S.S.)	850-0091	1
11	Screw (Not used on HB-Units)	27-3262	2
12	Insulation Blanket	850-0065	1
13	Washer	28-0023	12
14	Nut	30-0109	3
15	Shell	850-0089	1
16	Target Assembly	20-0226	1
17	Coil Assembly	850-0106	1
18	Insulation Strip	850-0102	1
19	Insulation Donut	33-0123	1
20	Insulation Donut	33-0121	1
21	Pan	850-0066	1
*Must Order in One Foot Lengths			

# MOTOR/PUMP ASSEMBLY FOR HS-2204-BMH1



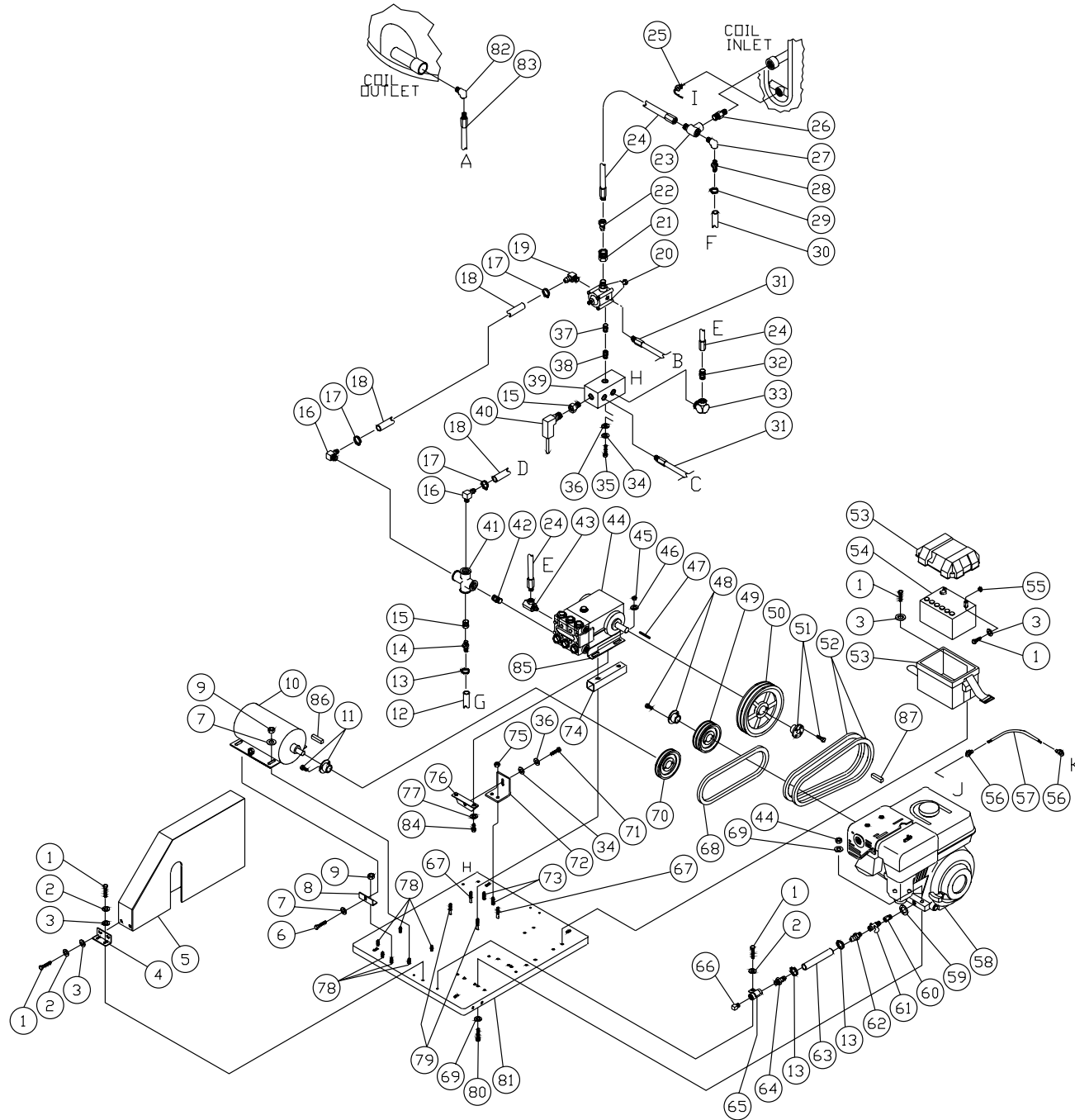
OMHS009-040197-JTR

## MOTOR/PUMP ASSEMBLY FOR HS-2204-BMH1

REF. #	DESCRIPTION	PART #	QTY.	REF. #	DESCRIPTION	PART #	QTY.	REF. #	DESCRIPTION	PART #	QTY.
1	Bolt	27-0015	13	28	Nipple	24-0010	2	55	Hose Barb	23-0069	1
2	Lockwasher	29-0006	9	29	Elbow	24-0105	1	56	Hose Clamp	42-0004	2
3	Washer	28-0002	12	30	Plug	24-0009	1	57	Hose *(One Foot Required)	15-0020	1
4	Bracket Tightener	13-0084A01	2	31	Lockwasher	29-0008	3	58	Hose Barb	23-0073	1
5	Belt Guard	6-0040A01	1	32	Bolt	27-0116	2	59	Coupler	850-0100	1
6	Bolt	27-0526	1	33	Washer	28-0022	3	60	Bolt	27-0176	2
7	Washer	28-0003	4	34	Nipple	24-0002	1	61	Belt - Engine to Generator	11-0029	1
8	Angle Tightener	20-0220A01	1	35	Swivel	24-0037	1	62	Washer	28-0005	4
9	Locknut	30-0157	6	36	Unloader Manifold	51-0010	1	63	Sheave - Generator	10-0028	1
10	Generator	850-0096	1	37	Reducer	23-0056	1	64	Bolt	27-0576	1
11	Bushing - Generator	9-0037	1	38	Pressure Switch Assembly	850-0173	1	65	Brace Tightener	20-0241A01	1
12	Plug	39-0016	1	39	Cross	23-0071	1	66	Bolt	27-0117	2
13	Elbow	23-0053	2	40	Nipple	23-0012	1	67	Pump Mount	20-0219A01	2
14	Hose Clamp	42-0011	3	41	Elbow	24-0057	1	68	Locknut	30-0159	2
15	Hose *(Six Feet Required)	15-0007	1	42	Pump	3-0008	1	69	Angle Tightener	13-0050A01	1
16	Elbow	23-0050	1	43	Locknut	30-0161	8	70	Bolt	27-8471	2
17	Unloader	8-0012	1	44	Washer	28-0030	4	71	Bolt	27-0066	6
18	Quick Connect Socket	17-0004	1	45	Key - Pump	43-0048	1	72	Bolt	27-0178	2
19	Quick Connect Plug	17-0006	1	46	Bushing - Engine	9-0005	1	73	Bolt	27-0170	4
20	Tee	23-0058	1	47	Sheave - Engine	10-0061	1	74	Base Plate	5-0071A01	1
21	Hose Assembly	15-0015	2	48	Sheave - Pump	10-0006	1	75	Elbow	24-0074	1
22	Plug	24-0034	1	49	Bushing - Pump	9-0017	1	76	Hose	15-0071	1
23	Nipple	24-0024	1	50	Belt - engine to pump	11-0030	2	77	Washer	29-0055	1
24	Elbow	24-0004	1	51	Engine-Honda 11 HP Recoil Start	1-0039	1	78	Pump Rails	46-0066	1
25	Pop Off**	22-0046	1	52	Gasket	26-0136	1	79	Key - Generator	43-0073	1
26	Hose Clamp	42-0003	1	53	Oil Plug - Adaptor	20-0240	1	80	Key - Engine	43-0078	1
27	Hose *(Three Feet Required)	15-0033	1	54	Valve	22-0080	1				

\*Must Order in One Foot Lengths \*\*When Ordering, Please State Model of Machine for Pressure Setting

# MOTOR/PUMP ASSEMBLY FOR HS-2204-CMH1

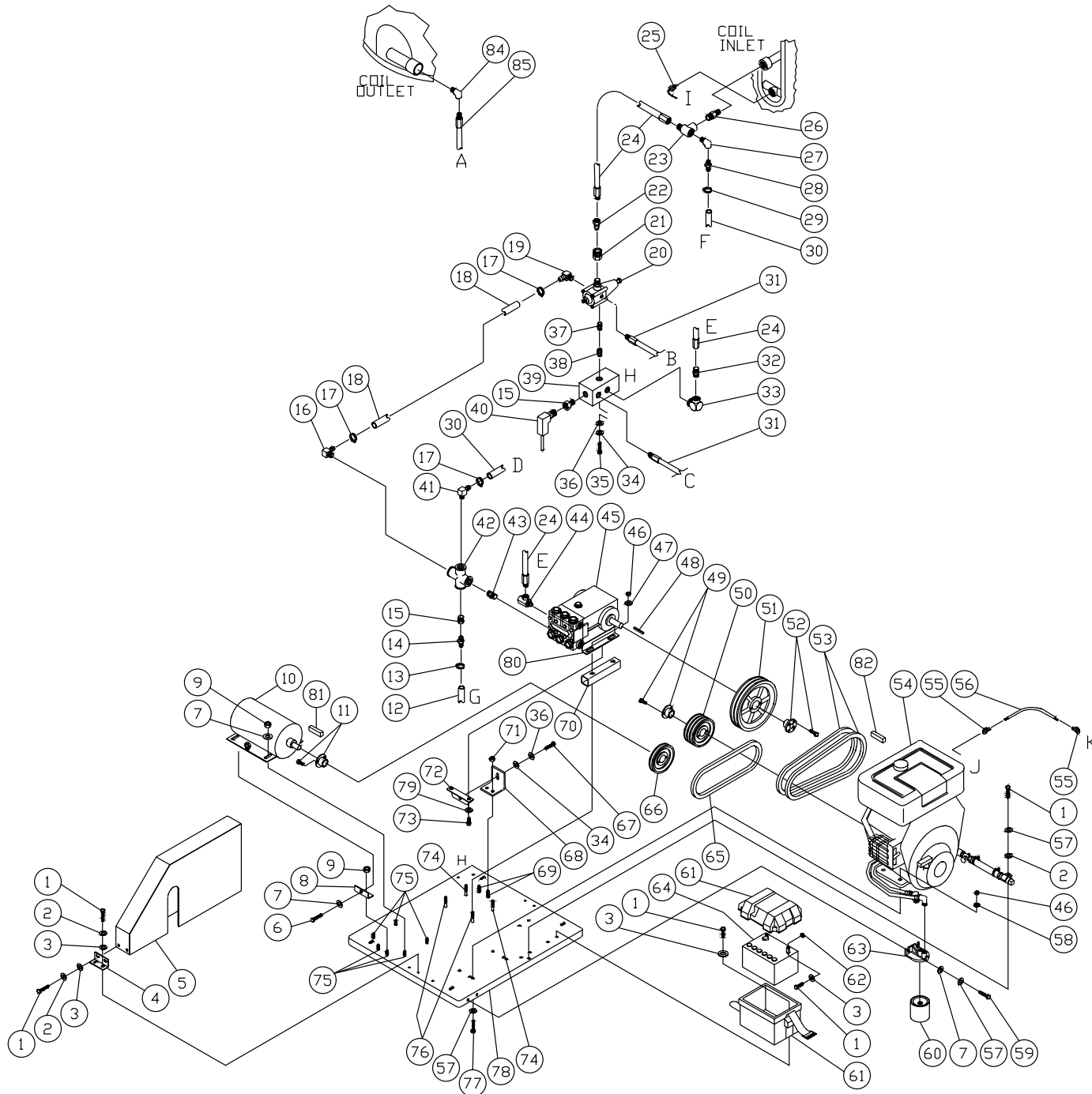


OMHS010-040197-JTR

MOTOR/PUMP ASSEMBLY FOR HS-2204-CMH1											
REF. #	DESCRIPTION	PART #	QTY.	REF. #	DESCRIPTION	PART #	QTY.	REF. #	DESCRIPTION	PART #	QTY.
1	Bolt	27-0015	13	30	Hose *(Seven Feet Required)	15-0033	1	59	Gasket	26-0136	1
2	Lockwasher	29-0006	9	31	Hose Assembly	15-0078	2	60	Oil Plug - Adapter	20-0240	1
3	Washer	28-0002	10	32	Nipple	24-0010	2	61	Valve	22-0080	1
4	Bracket Tightener	13-0084A01	2	33	Elbow	24-0105	1	62	Hose Barb	23-0069	1
5	Belt Guard	6-0040A01	1	34	Lockwasher	29-0008	3	63	Hose *(One Foot Required)	15-0020	1
6	Bolt	27-0526	1	35	Bolt	27-0116	2	64	Hose Barb	23-0073	1
7	Washer	28-0003	4	36	Washer	28-0022	3	65	Coupler	850-0100	1
8	Angle Tightener	20-0220A01	1	37	Nipple	24-0002	1	66	Plug	24-0034	1
9	Locknut	30-0157	6	38	Swivel	24-0037	1	67	Bolt	27-0176	2
10	Generator	850-0096	1	39	Unloader Manifold	51-0010	1	68	Belt - Engine to Generator	11-0030	1
11	Bushing - Generator	9-0037	1	40	Pressure Switch Assembly	850-0173	1	69	Washer	28-0005	4
12	Hose *(Four Feet Required)	15-0079	1	41	Cross	23-0071	1	70	Sheave - Generator	10-0028	1
13	Hose Clamp	42-0004	3	42	Nipple	23-0012	1	71	Bolt	27-0576	1
14	Hose Barb	23-0051	1	43	Elbow	24-0057	1	72	Brace Tightener	20-0241A01	1
15	Reducer	23-0056	2	44	Pump	3-0008	1	73	Bolt	27-0117	2
16	Elbow	23-0053	2	45	Locknut	30-0161	8	74	Pump Mount	20-0219A01	2
17	Hose Clamp	42-0011	3	46	Washer	28-0030	4	75	Locknut	30-0159	2
18	Hose *(Two Feet Required)	15-0007	1	47	Key - pump	43-0048	1	76	Angle Tightener	13-0050A01	1
19	Elbow	23-0050	1	48	Bushing - Engine	9-0005	1	77	Bolt	27-8471	2
20	Unloader	8-0012	1	49	Sheave - Engine	10-0061	1	78	Bolt	27-0066	6
21	Quick Connect Socket	17-0004	1	50	Sheave - Pump	10-0006	1	79	Bolt	27-0178	2
22	Quick Connect Plug	17-0006	1	51	Bushing - Pump	9-0017	1	80	Bolt	27-0170	4
23	Tee	23-0058	1	52	Belt - Engine to Pump	11-0029	2	81	Base Plate	5-0071A01	1
24	Hose Assembly	15-0015	2	53	Battery Box	33-0092	1	82	Elbow	24-0074	1
25	Thermoprobe	22-0118	1	54	Battery	32-0058	1	83	Hose	15-0071	1
26	Nipple	24-0024	1	55	Locknut	30-0155	1	84	Washer	29-0055	1
27	Elbow	24-0004	1	56	Terminal	32-0098	2	85	Pump Rails	46-0066	1
28	Pop Off**	22-0046	1	57	Cable *(One Foot Required)	32-0065	1	86	Key - Generator	43-0073	1
29	Hose Clamp	42-0003	1	58	Engine-Honda 11 HP Electric Start	1-0048	1	87	Key - Engine	43-0078	1

\*Must Order in One Foot Lengths \*\*When Ordering, Please State Model of Machine For Pressure Setting.

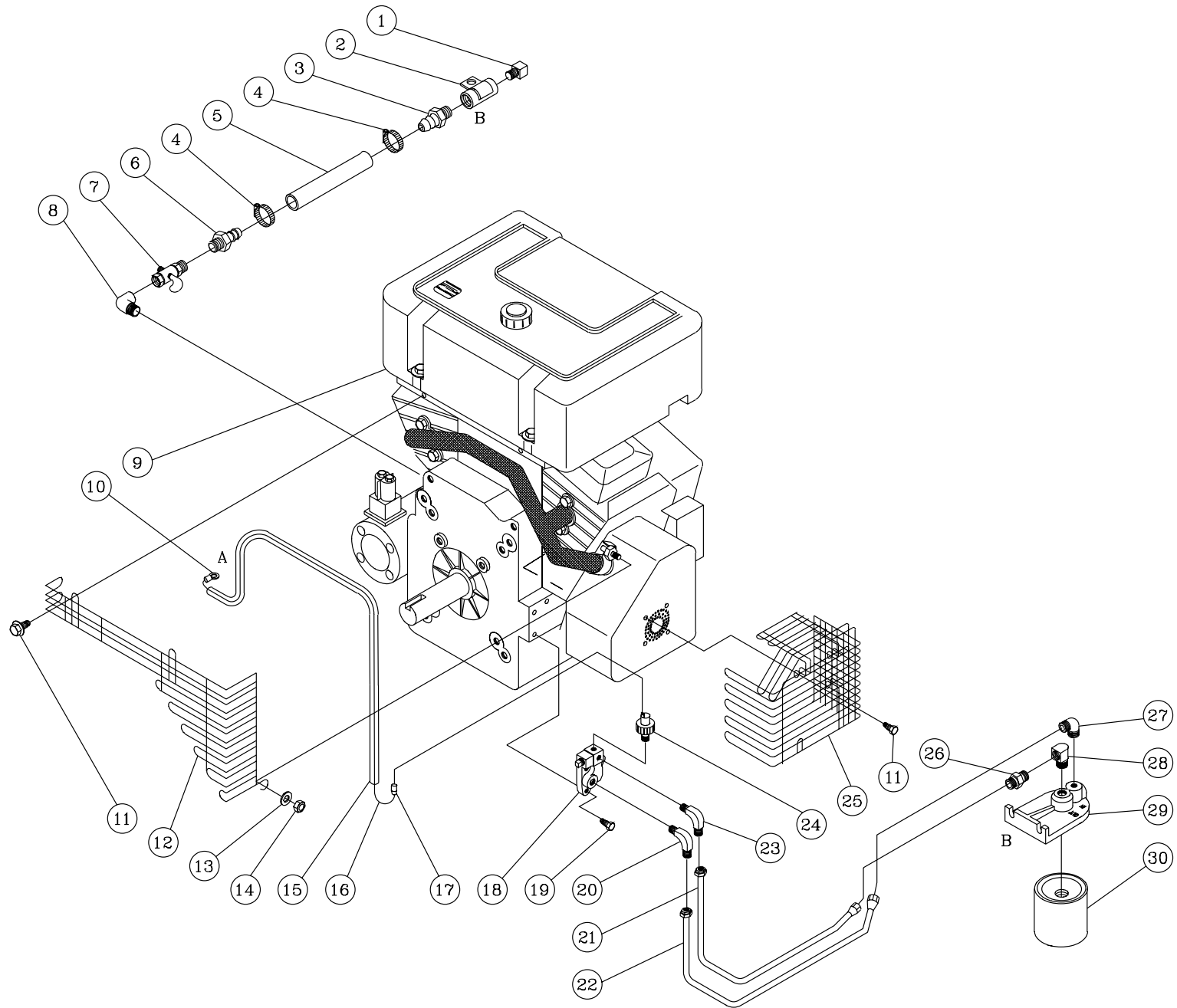
# MOTOR/PUMP ASSEMBLY FOR HS-2505/3005-CMV1



OMHS021-040197-JTR

MOTOR/PUMP ASSEMBLY FOR HS-2505/3005-CMV1											
REF. #	DESCRIPTION	PART #	QTY.	REF. #	DESCRIPTION	PART #	QTY.	REF. #	DESCRIPTION	PART #	QTY.
1	Bolt	27-0015	13	31	Hose Assembly	15-0078	2	59	Bolt	27-0067	2
2	Lockwasher	29-0006	9	32	Nipple	24-0010	2	60	Oil Filter (Replacement)	19-0072	1
3	Washer	28-0002	12	33	Elbow	24-0105	1	61	Battery Box	33-0092	1
4	Bracket Tightener	13-0084A01	2	34	Lockwasher	29-0008	3	62	Locknut	30-0155	2
5	Belt Guard	6-0040A01	1	35	Bolt	27-0116	2	63	Oil Filter Adaptor	45-0022	1
6	Bolt	27-0526	1	36	Washer	28-0022	3	64	Battery	32-0058	1
7	Washer	28-0003	4	37	Nipple	24-0002	1	65	Belt - Engine to Generator	11-0033	1
8	Angle Tightener	20-0220A01	1	38	Swivel	24-0037	1	66	Sheave - Generator	10-0049	1
9	Locknut	30-0157	6	39	Unloader Manifold	51-0010	1	67	Bolt	27-0576	1
10	Generator	850-0096	1	40	Pressure Switch Assembly	850-0173	1	68	Brace Tightener	20-0241A01	1
11	Bushing - Generator	9-0037	1	41	Elbow	23-0037	1	69	Bolt	27-0117	2
12	Hose *(Four Feet Required)	15-0079	1	42	Cross	23-0071	1	70	Pump Mount	20-0219A01	2
13	Hose Clamp	42-0004	3	43	Nipple	23-0012	1	71	Locknut	30-0159	2
14	Hose Barb	23-0051	1	44	Elbow	24-0057	1	72	Angle Tightener	13-0050A01	1
15	Reducer	23-0056	2	-	Pump for HS-2505-CMV1	3-0079	1	73	Bolt	27-8471	2
16	Elbow	23-0053	2	45	Pump for HS-3005-CMV1	3-0011	1	74	Bolt	27-0176	2
17	Hose Clamp	42-0011	3	46	Locknut	30-0161	8	75	Bolt	27-0066	6
18	Hose *(Two Feet Required)	15-0007	1	47	Washer	28-0030	4	76	Bolt	27-0178	2
19	Elbow	23-0050	1	48	Key - Pump	43-0048	1	77	Bolt	27-0170	4
20	Unloader	8-0013	1	49	Bushing - Engine	9-0005	1	78	Base Plate	15-0071A01	1
21	Quick Connect Socket	17-0004	1	50	Sheave - Engine	10-0011	1	79	Washer	29-0055	1
22	Quick Connect Plug	17-0006	1	51	Sheave - Pump	10-0040	1	80	Pump Rails	46-0066	1
23	Tee	23-0058	1	52	Bushing - Pump	9-0017	1	81	Key - Generator	43-0073	1
24	Hose Assembly	15-0015	2	53	Belt - Engine to Pump	11-0008	2	82	Key - Engine	43-0078	1
25	Thermoprobe	22-0118	1	54	Engine-Vanguard 14 HP Electric Start for HS-2505-CMV1	850-0152	1	84	Elbow	24-0074	1
26	Nipple	24-0024	1	-	Engine-Vanguard 16 HP Electric Start for HS-3005-CMV1	850-0151	1	85	Hose	15-0071	1
27	Elbow	24-0004	1	55	Terminal	32-0098	2	*Must Order in One Foot Lengths			
28	Pop Off**	22-0046	1	56	Cable *(Two Feet Required)	32-0065	1	**When Ordering, Please State Model of Machine for Pressure Setting			
29	Hose Clamp	42-0003	1	57	Lockwasher	29-0007	2				
30	Hose *(Seven Feet Required)	15-0033	1	58	Washer	28-0005	8				

# ENGINE ASSEMBLY FOR HS-2505-CMV1 (850-0152) & HS-3005-CMV1 (850-0151)

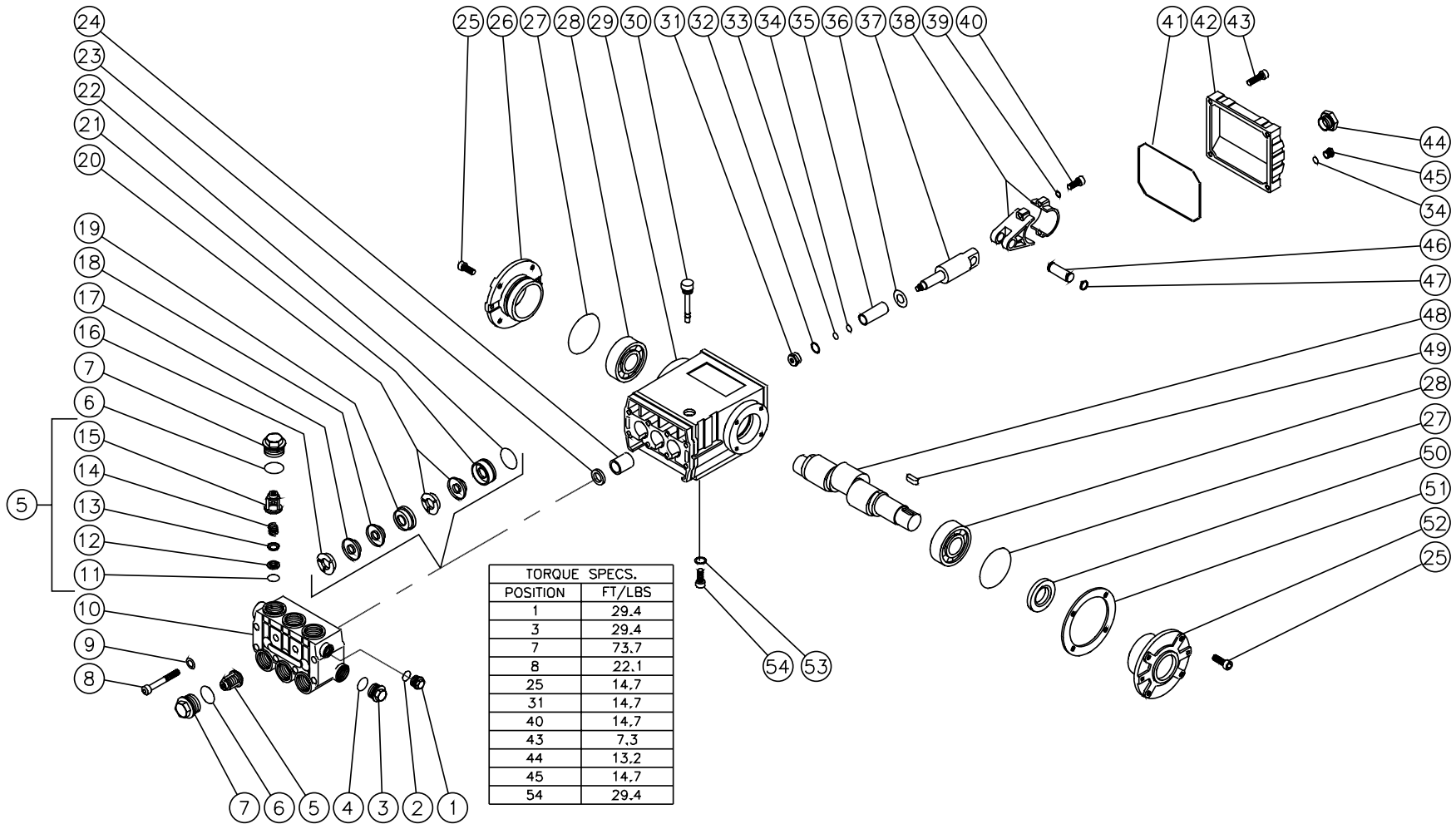


850-0151 -072095-JTR



ENGINE ASSEMBLY FOR THE HS-2505-CMV1 (850-0152) & HS-3005-CMV1 (850-0151)								
REF. #	DESCRIPTION	PART #	QTY.		REF. #	DESCRIPTION	PART #	QTY.
1	Plug	24-0034	1		16	Wire *(Three Feet Required)	32-0092	1
2	Coupler	850-0100	1		17	Terminal	32-0221	1
3	Hose Barb	23-0073	1		18	Adapter	45-0021	1
4	Hose Clamp	42-0004	2		19	Bolt	N/A	3
5	Hose *(One Foot Required)	15-0020	1		20	Elbow	23-0145	1
6	Hose Barb	23-0069	1		21	Remote Oil Line	33-0141	1
7	Valve	22-0080	1		22	Remote Oil Line	33-0140	1
8	Elbow	24-0004	1		23	Elbow	23-0144	1
9	Engine - 14H.P. Vanguard Electric Start (850-0152)	1-0055	1		24	Oil Sensor	N/A	1
-	Engine - 16H.P. Vanguard Electric Start (850-0151)	1-0056	1		25	Guard - Muffler	6-0065	1
10	Terminal	32-0099	1		26	Connector	23-0146	1
11	Screw	27-3061	5		27	Elbow	23-0143	1
12	Guard - Exhaust	6-0067	1		28	Elbow	23-0014	1
13	Washer	28-0003	1		29	Oil Filter Adapter	45-0022	1
14	Hex Nut	30-0004	1		30	Oil Filter (Replacement)	19-0072	1
15	Hose *(Two Feet Required)	15-0021	1		*Must Order in One Lengths			

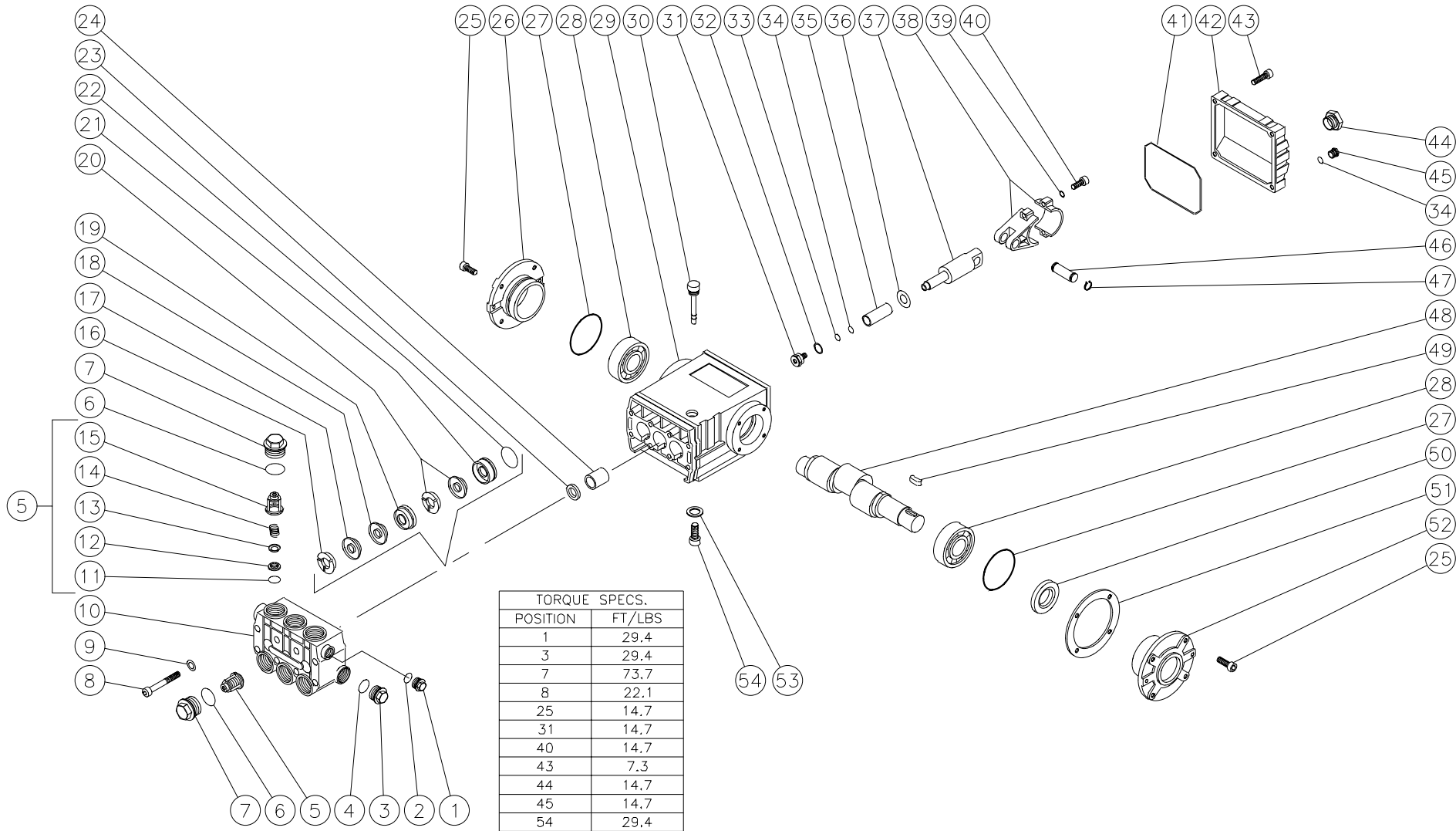
# PUMP ASSEMBLY (3-0008)



OMPMP027-122195-DCE

PUMP ASSEMBLY (3-0008)							
REF #	DESCRIPTION	PART #	QTY	REF #	DESCRIPTION	PART #	QTY
1	Hex Plug	39-0018	1	30	Oil Dipstick	46-0143	1
2	Washer	28-0600	1	31	Bolt	46-0069	3
3	Hex Plug	39-0019	1	32	Washer	28-0400	3
4	Washer	28-0601	1	33	O-ring	25-0014	4
5	Valve Assembly (Inc. 11-15) (See 70-0009)	N/A Sep.	6	34	Backup Ring	46-0109	3
6	O-ring	25-0012	6	35	Plunger-Ceramic	46-0052	3
7	Valve Plug	39-0020	6	36	Flinger Washer	46-0146	3
8	Bolt	27-8185	8	37	Piston Rod	46-0055	3
9	Lockwasher	28-0210	8	38	Connecting Rod	46-0051	3
10	Pump Manifold	46-0060	1	39	Lockwasher	29-0154	6
11	O-ring (See 70-0009)	N/A Sep.	6	40	Bolt	27-8435	6
12	Valve Seat (See 70-0009)	N/A Sep.	6	41	O-ring Cover	25-0339	1
13	Valve Plate (See 70-0009)	N/A Sep.	6	42	Crankcase Cover	46-0064	1
14	Valve Spring (See 70-0009)	N/A Sep.	6	43	Bolt	27-8401	5
15	Valve Cage (See 70-0009)	N/A Sep.	6	44	Oil Level Indicator	46-0114	1
16	Head Ring (See 70-0030)	N/A Sep.	6	45	Hex Plug	39-0017	1
17	V-Packing (See 70-0147)	N/A Sep.	6	46	Connecting Rod Pin	43-0032	3
18	Stop Ring (See 70-0147)	N/A Sep.	3	47	Retaining Ring	46-0103	6
19	Intermediate Ring	46-0659	3	48	Crankshaft	46-0050	1
20	Low Pressure Seal (See 70-0147)	N/A Sep.	3	49	Key	43-0048	1
21	Packing Retainer	46-0057	3	50	Oil Seal	26-0049	1
22	O-ring	25-0015	3	51	Shim	46-0113	2
23	Oil Seal	26-0047	3	52	Crankcase Cover	46-0296	1
24	Bushing	9-0029	3	53	Lockwasher	29-0055	4
25	Bolt	27-8431	8	54	Bolt	27-8471	4
26	Crankcase Cover	46-0336	1		Valve Kit (6 each 11-15)	70-0009	
27	O-ring	25-0013	1		Packing Kit (3 each 17, 18, 20)	70-0147	
28	Roller Bearing	48-0004	2		Head Ring Kit (6 each 16)	70-0030	
29	Crankcase	46-0047	1		Packing Assembly (3 each 16-18, 20, 22)	852-0122	

# PUMP ASSEMBLY (3-0011)

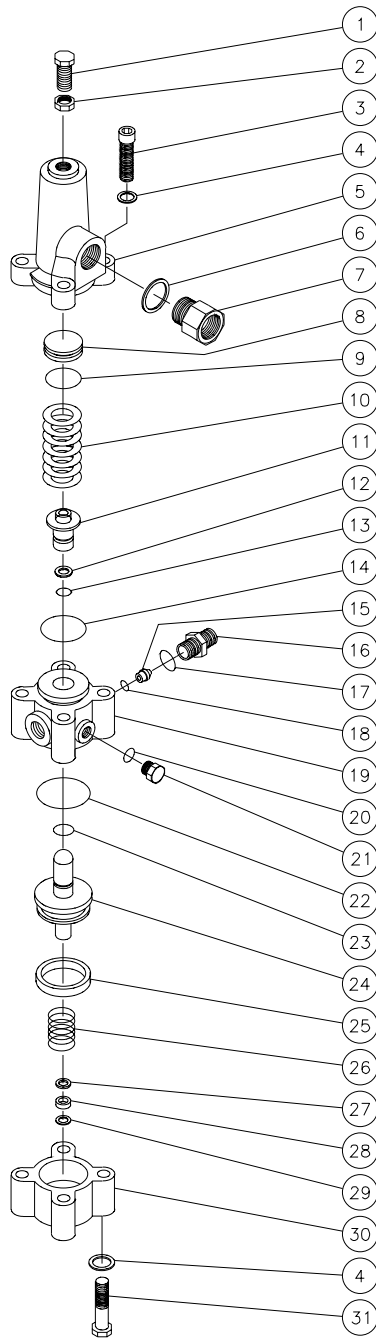


OMPMP020-100396-JTR

PUMP ASSEMBLY (3-0011)							
REF #	DESCRIPTION	PART #	QTY	REF #	DESCRIPTION	PART #	QTY
1	Plug/Hex	39-0018	1	32	Washer	28-0400	3
2	Washer	28-0600	1	33	O-Ring	25-0014	4
3	Plug/Hex	39-0019	1	34	Backup Ring	46-0109	3
4	Washer	28-0601	1	35	Plunger	46-0052	3
5	Valve Assembly (11-15) (See 70-0009)	N/A Sep.	6	36	Flinger Washer	46-0146	3
6	O-Ring	25-0012	6	37	Piston Rod	46-0054	3
7	Valve Plug	39-0021	6	38	Connecting Rod	46-0051	3
8	Bolt	27-8185	8	39	Lockwasher	29-0154	6
9	Lockwasher	28-0210	8	40	Bolt	27-8435	6
10	Pump Manifold	46-0061	1	41	Gasket Cover - Old Style	26-0079	1
11	O-Ring (See 70-0009)	N/A Sep.	6	-	O-Ring Cover - New Style	25-0339	1
12	Valve Seat (See 70-0009)	N/A Sep.	6	42	Crankcase Cover - Old Style	46-0065	1
13	Valve Plate (See 70-0009)	N/A Sep.	6	-	Crankcase Cover - New Style	46-0295	1
14	Valve Spring (See 70-0009)	N/A Sep.	6	43	Bolt	27-8404	5
15	Valve Cage (See 70-0009)	N/A Sep.	6	44	Oil Level Indicator	46-0114	1
16	High Pressure Head Ring (See 70-0030)	N/A Sep.	3	45	Plug/Hex	39-0017	1
17	High Pressure V-Packing (See 70-0147)	N/A Sep.	3	46	Connecting Rod Pin	43-0032	3
18	Re-Stop V-Packing Support (See 70-0147, 70-0148)	N/A Sep.	3	47	Retaining Ring	46-0103	6
19	High Pressure Intermediate Seal Retainer (See 70-0148)	46-0659	3	48	Crankshaft	46-0050	1
20	Low Pressure Seal (See 70-0147, 852-0122)	N/A Sep.	3	49	Key	43-0048	1
21	Low Pressure Seal Retainer	46-0057	3	50	Seal/Oil	26-0049	1
22	O-Ring (See 852-0122)	25-0015	3	51	Shim	46-0113	1
23	Seal/Oil	26-0047	3	52	Crankcase Open Cover	46-0296	1
24	Bushing	9-0029	3	53	Lockwasher	29-0055	4
25	Bolt	27-8431	8	54	Bolt	27-8471	4
26	Cover/Crankcase Closed	46-0336	1		Valve Kit (6 each of 5, 11-15)	70-0009	
27	O-Ring	25-0013	2		Head Ring Kit (3 each of 16)	70-0030	
28	Bearing/Roller Tapper	48-0012	2		Packing Kit (3 each of 17, 18, 20)	70-0147	
29	Crankcase	46-0047	1		Packing Assembly (3 each of 16-18, 20, 22)	852-0122	
30	Oil Dip Stick	46-0144	1		Intermediate Retainer Kit (3 each of 18, 19)	70-0148	
31	Bolt/Piston	46-0069	3				

# UNLOADER ASSEMBLY (8-0012 & 8-0013)

OMGEN066A-083094-BAR

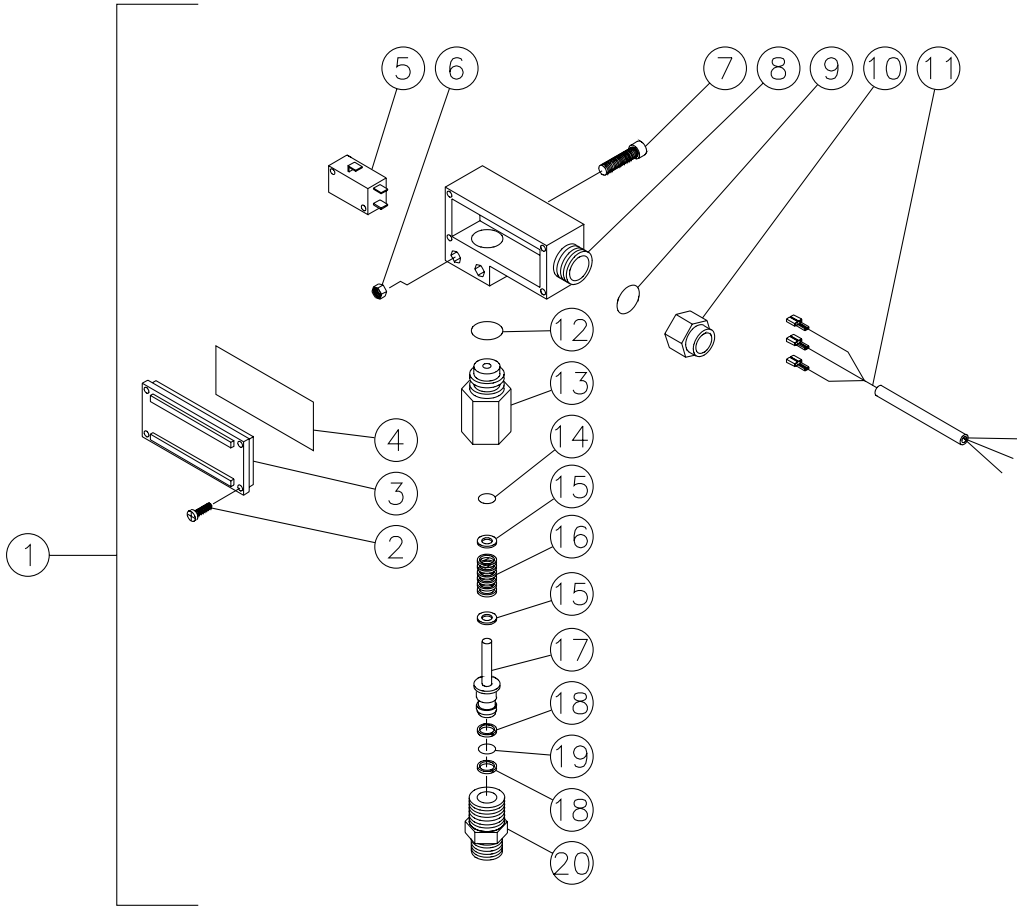


UNLOADER ASSEMBLY (8-0012 & 8-0013)			
REF. #	DESCRIPTION	PART #	QTY.
1	Bolt	27-8077	1
2	Hex Nut	30-3010	1
3	Bolt	27-8434	4
4	Lockwasher	29-0154	8
5	Upper Body	8-0138	1
6	Washer	8-0277	1
7	By-Pass Restrictor for 8-0013	8-0124	1
-	By-Pass Restrictor for 8-0012	8-0125	1
8	Spring Guide	8-0135	1
9	O-ring	25-0118	1
10	Spring	49-0026	1
11	Valve Seat	8-0145	1
12	Back-up Ring	8-0141	1
13	O-ring	25-0121	1
14	O-ring	25-0117	1
15	Flow Balancer for 8-0013	8-0128	1
-	Flow Balancer for 8-0012	8-0126	1
16	Nipple	8-0130	1
17	O-ring	25-0052	1
18	O-ring	25-0119	1
19	Middle Body	8-0137	1
20	O-ring	25-0114	2
21	Hex Plug	39-0017	2
22	O-ring	25-0056	1
23	O-ring	25-0120	1
24	Piston Assembly	8-0136	1
25	Seal	26-0104	1
26	Spring	49-0027	1
27	Washer	8-0139	1
28	Seal	26-0105	1
29	Back-up Ring	8-0140	1
30	Lower Body	8-0134	1
31	Bolt	27-8037	4
	Unloader Repair Kit (Inc. 9, 11, 13, 14, 17, 18, 20, 22-26, 28, 29)	70-0013	
	Unloader Orifice Kit (Inc. 7, 15, 16) for 8-0013	852-0015	
	Unloader Orifice Kit (Inc. 7, 15, 16) for 8-0012	852-0014	

OMGEN066-083094-BAR

# PRESSURE SWITCH (850-0173)

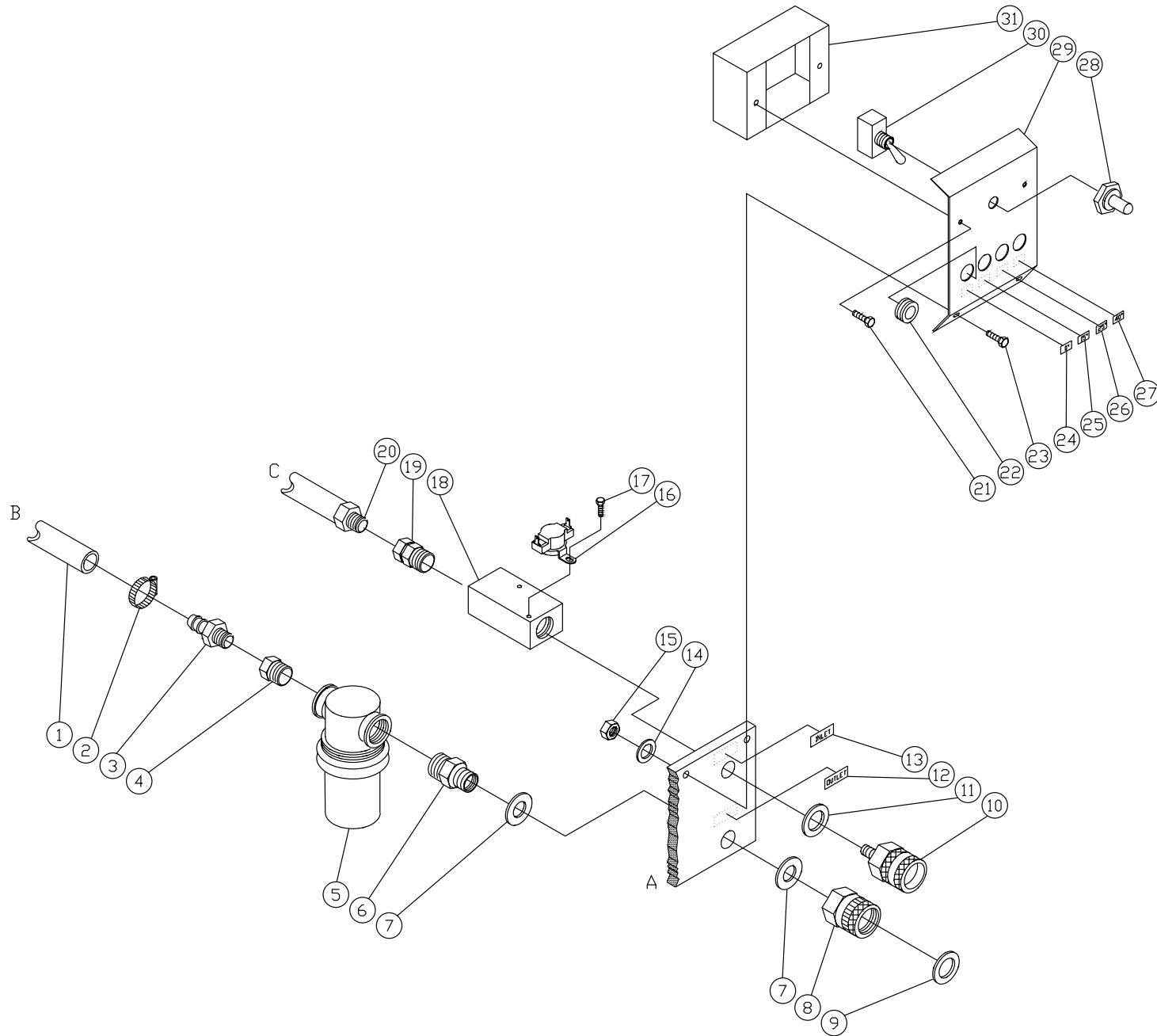
850-0173-051497-BAR



PRESSURE SWITCH (850-0173)			
REF #	DESCRIPTION	PART #	QTY
1	Pressure Switch Complete (Inc. 2-20)	850-0173	1
2	Screw	N/A	4
3	Cover	N/A	1
4	O-ring	N/A	1
5	Micro Switch	N/A	1
6	Hex Nut	N/A	2
7	Screw	N/A	2
8	Housing	N/A	1
9	O-ring	N/A	1
10	Bushing Nut	N/A	1
11	Wire Assembly	N/A	1
12	O-ring	N/A	1
13	Spring Housing	N/A	1
14	O-ring (See 70-0007)	N/A Sep.	1
15	Washer Spacer	28-0218	2
16	Spring	49-0107	1
17	Piston	N/A	1
18	Back-up Ring (See 70-0007)	N/A Sep.	2
19	O-ring (See 70-0007)	N/A Sep.	1
20	Hex Nipple	N/A	1
	O-ring Kit (1 each 14, 18-19)	70-0007	

850-0173 -051497-BAR

# CONTROL PANEL FOR HS-2204-BMH1

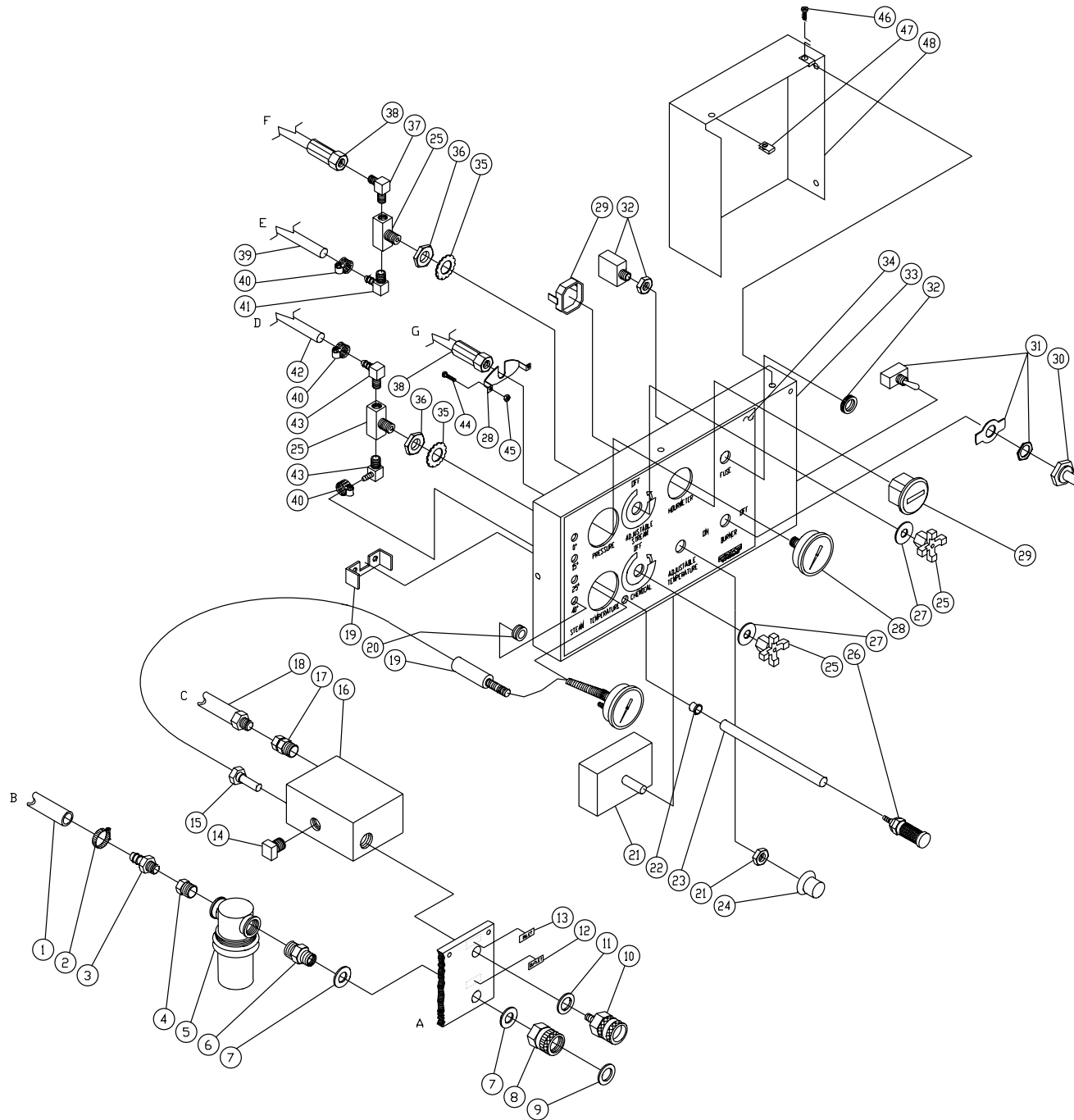


OMHS014-062395-JTR



CONTROL PANEL ASSEMBLY FOR HS-2204-BMH1								
REF. #	DESCRIPTION	PART #	QTY.		REF. #	DESCRIPTION	PART #	QTY.
1	Hose *(Two Feet Required)	13-0033	1		17	Screw	27-2045	2
2	Hose Clamp	42-0011	1		18	Outlet Manifold	56-0026	1
3	Hose Barb	23-0036	1		19	Connect	24-0049	1
4	Bushing	23-0023	1		20	Hose Assembly	15-0071	1
5	Water Filter	19-0004	1		21	Screw	27-2930	2
6	Nipple	23-0082	1		22	Grommet	33-0001	4
7	Washer	28-0051	2		23	Bolt	27-0066	2
8	Garden Hose Swivel	23-0001	1		24	Decal	34-0247	1
9	Garden Hose Gasket	26-0001	1		25	Decal	34-0246	1
10	Quick Connect Socket	17-0004	1		26	Decal	34-0245	1
11	Washer	28-0050	1		27	Decal	34-0244	1
12	Decal-Inlet	34-0237	1		28	Toggle Switch Boot	33-0003	1
13	Decal-Outlet	34-0236	1		29	Panel	20-0221A01	1
14	Washer	28-0003	2		30	Toggle Switch	22-0053	1
15	Hex Locknut	30-0157	2		31	Electric Box	32-0031	1
16	Thermostat	22-0115	1		*Must Order in One Foot Lengths			

# CONTROL PANEL FOR HS-2204-CMH1 & HS-2505/3005-CMV1

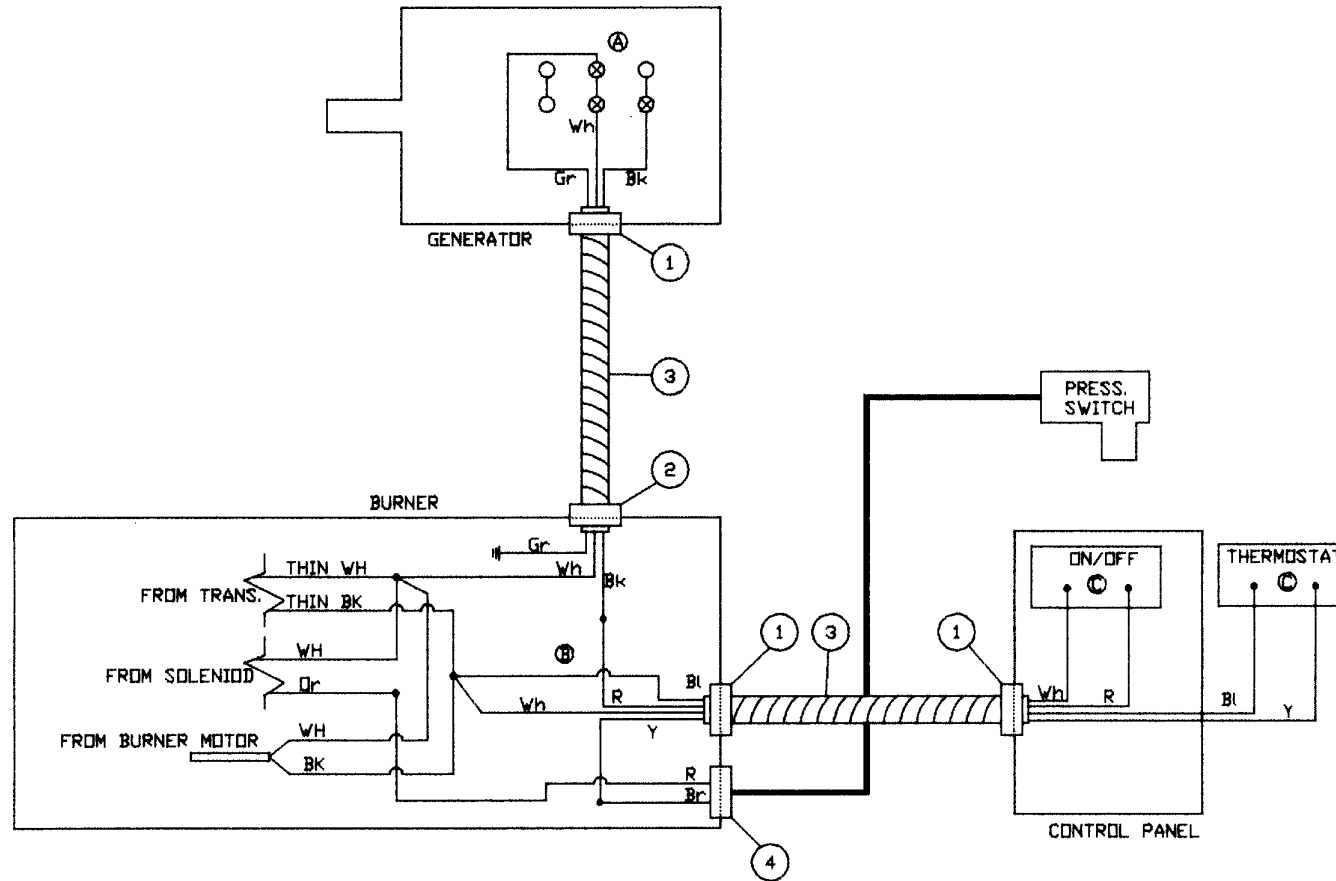


OMHS015-072195-JTR

CONTROL PANEL ASSEMBLY FOR HS-2204-CMH1 & HS-2505/3005-CMV1							
REF. #	DESCRIPTION	PART #	QTY.	REF. #	DESCRIPTION	PART #	QTY.
1	Hose *(Two Feet Required)	15-0033	1	25	Needle Valve	22-0108	2
2	Hose Clamp	42-0003	1	26	Strainer Chemical	19-0050	1
3	Hose Barb	23-0036	1	27	Washer	70-0066	2
4	Bushing	23-0023	1	28	Gauge	22-0073	1
5	Water Filter	19-0004	1	29	Hourmeter	32-0259	1
6	Nipple	23-0082	1	30	Toggle Switch Boot	33-0003	1
7	Washer	28-0051	2	31	Toggle Switch	22-0053	1
8	Garden Hose Swivel	23-0001	1	32	Fuse	32-0240	1
9	Garden Hose Gasket	26-0001	1	33	Panel	62-0034	1
10	Quick Connect Socket	17-0007	1	34	Decal	34-0221	1
11	Washer	28-0050	1	35	Lockwasher	29-0113	2
12	Decal-Inlet	34-0237	1	36	Nut	70-0066	2
13	Decal-Outlet	34-0236	1	37	Elbow	23-0130	1
14	Plug	24-0009	1	38	Hose Assembly	15-0078	2
15	Thermowell Socket	23-0128	1	39	Hose *(Three Feet Required)	15-0007	1
16	Outlet Manifold	56-0017	1	40	Hose Clamp	42-0004	3
17	Connect	24-0049	1	41	Elbow	23-0119	1
18	Hose Assembly	15-0071	1	42	Hose *(Two Feet Required)	15-0079	1
19	Thermometer	22-0098	1	43	Elbow	23-0054	2
20	Grommet	33-0001	4	44	Screw	N/A	2
21	Tempature Control	22-0117	1	45	Hex Nut	30-0202	2
22	Bushing	9-0028	1	46	Screw	27-2930	4
23	Hose *(Six Feet Required)	15-0021	1	47	U-clip Nut	30-2104	4
24	Thermostat Knob	7-0054	1	48	Electrical Cover	62-0035	1

\*Must Order in One Foot Lengths

# WIRING DIAGRAM FOR HS-2204-BMH1

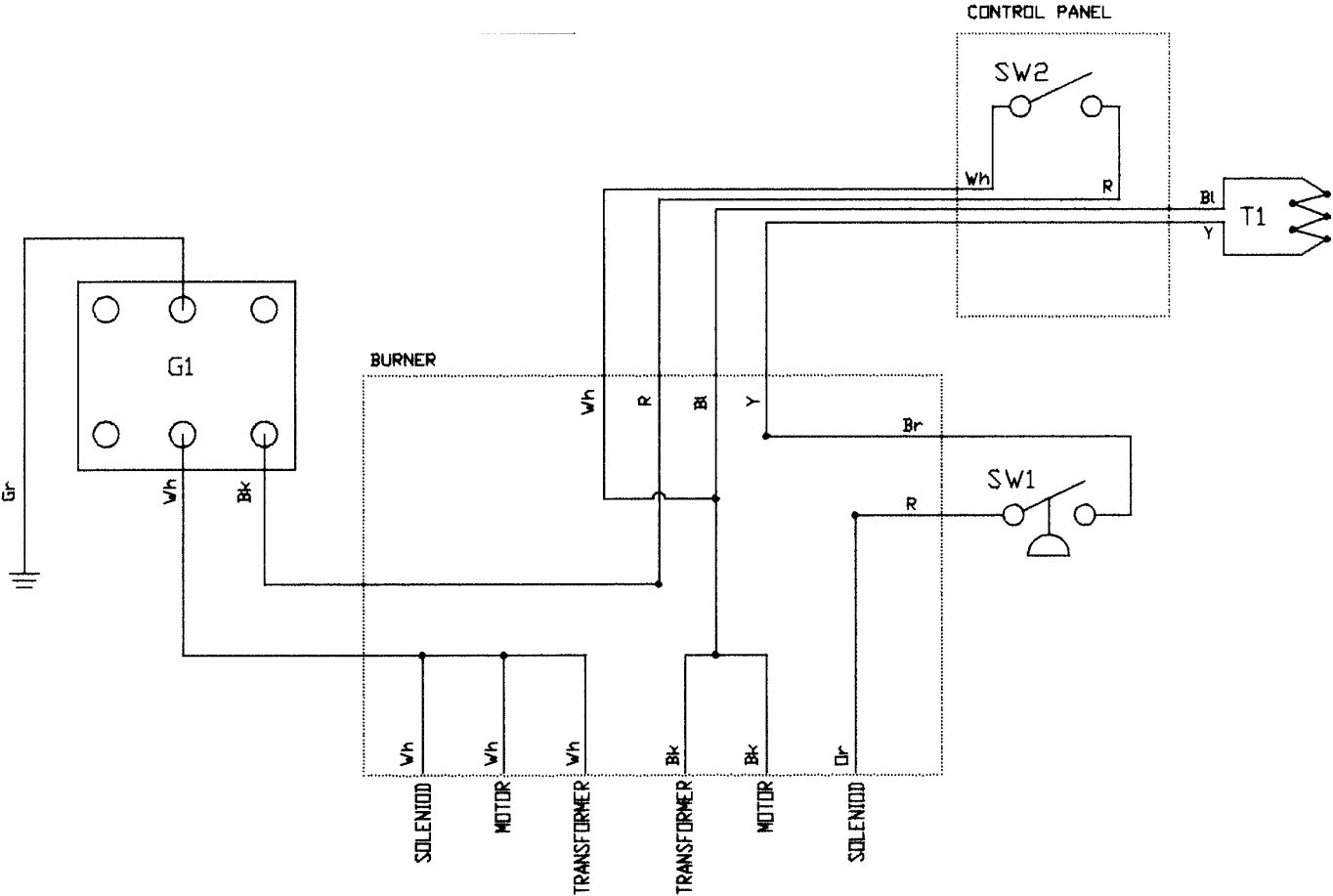


OMHS018W-070595-JTR

WIRING DIAGRAM FOR HS-2204-BMH1							
REF. #	DESCRIPTION	PART #	QTY.	REF. #	DESCRIPTION	PART #	QTY.
1	Connect - Conduit Strait	32-0255	3	GR	Green Wire *(Eleven Feet Required)	32-0248	1
2	Connect - Conduit	32-0254	1	BK	Black Wire *(Twelve Feet Required)	32-0256	1
3	Conduit - Flex *(Six Feet Required)	32-0253	1	WH	White Wire *(Eight Feet Required)	32-0094	1
4	Connector	32-0085	1	Y	Yellow Wire *(Four Feet Required)	32-0095	1
A	Ring Terminal	32-0099	3	R	Red Wire *(Four Feet Required)	32-0092	1
B	Wire Crimp	32-0359	5	BL	Blue Wire *( One Foot Required)	32-0093	1
C	Quick Connect Terminal	32-0221	9	*Must Order in One Foot Lengths			

OMHS018W-070595-JTR

# SCHEMATIC DIAGRAM FOR HS-2204-BMH1

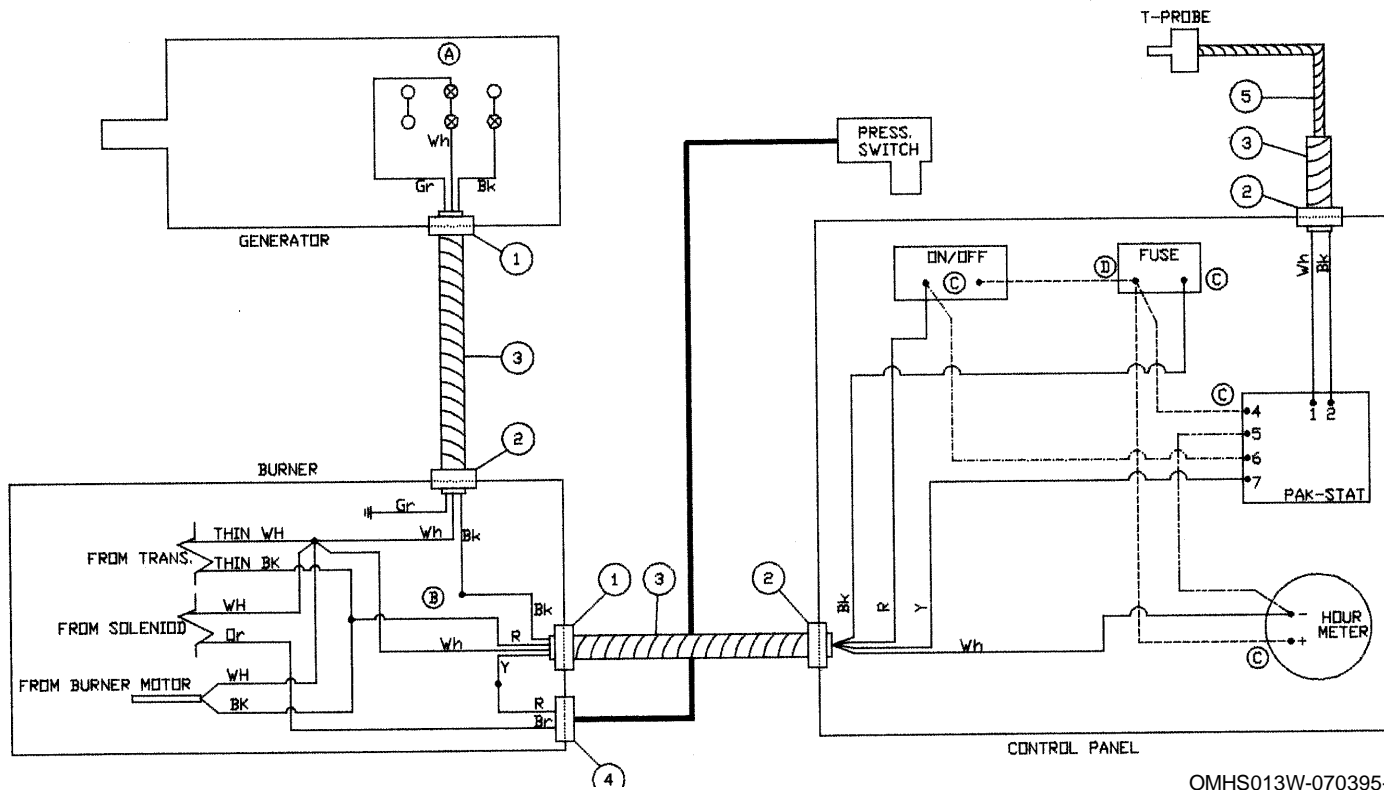


OMHS018S-070595-JTR

SCHEMATIC FOR HS-2204-BMH1	
REF. #	DESCRIPTION
G1	Generator
SW1	Pressure Switch
SW2	Switch
T1	Termostat

OMHS018S-070595-JTR

## WIRING DIAGRAM FOR HS-2204-CMH1 & HS-2505/3005-CMV1



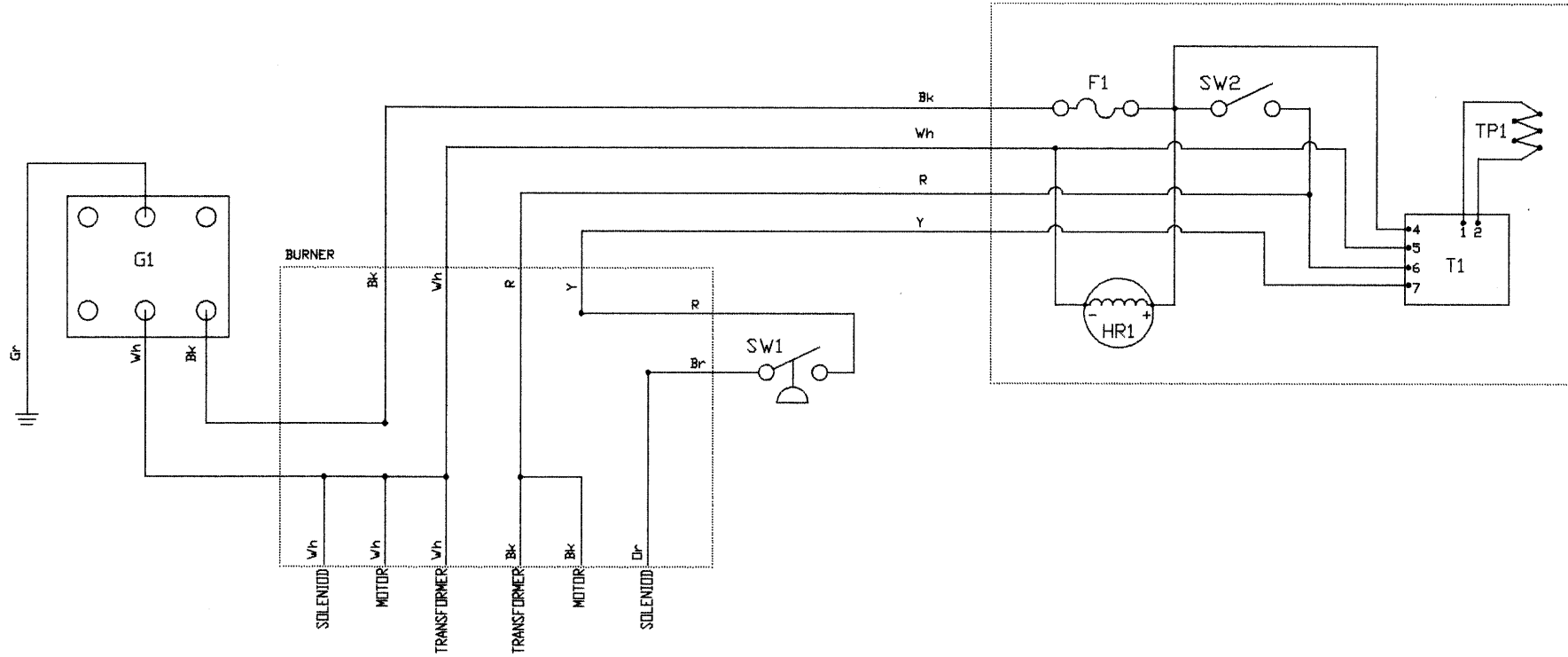
OMHS013W-070395-JTR

**WIRING DIAGRAM FOR HS-2204-CMH1 & HS-2505/3005-CMV1**

REF. #	DESCRIPTION	PART #	QTY.		REF. #	DESCRIPTION	PART #	QTY.
1	Connect - Conduit Strait	32-0255	2		D	Quick Connect Terminal	32-0222	1
2	Connect - Conduit	32-0254	3		GR	Green Wire *(Eleven Feet Required)	32-0248	1
3	Conduit - Flex *(Six Feet Required)	32-0253	1		BK	Black Wire *(Twelve Feet Required)	32-0256	1
4	Connector	32-0085	1		WH	White Wire *(Eight Feet Required)	32-0094	1
5	Wrap *(Four Feet Required)	33-0114	1		Y	Yellow Wire *(Four Feet Required)	32-0095	1
A	Ring Terminal	32-0099	3		R	Red Wire *(Four Feet Required)	32-0092	1
B	Wire Crimp	32-0359	5		-	Blue Wire *( One Foot Required)	32-0093	1
C	Quick Connect Terminal	32-0221	9		*Must Order in One Foot Lengths			

OMHS013W-070395-JTR

## SCHEMATIC DIAGRAM FOR HS-2204-CMH1 & HS-2505/3005-CMV1



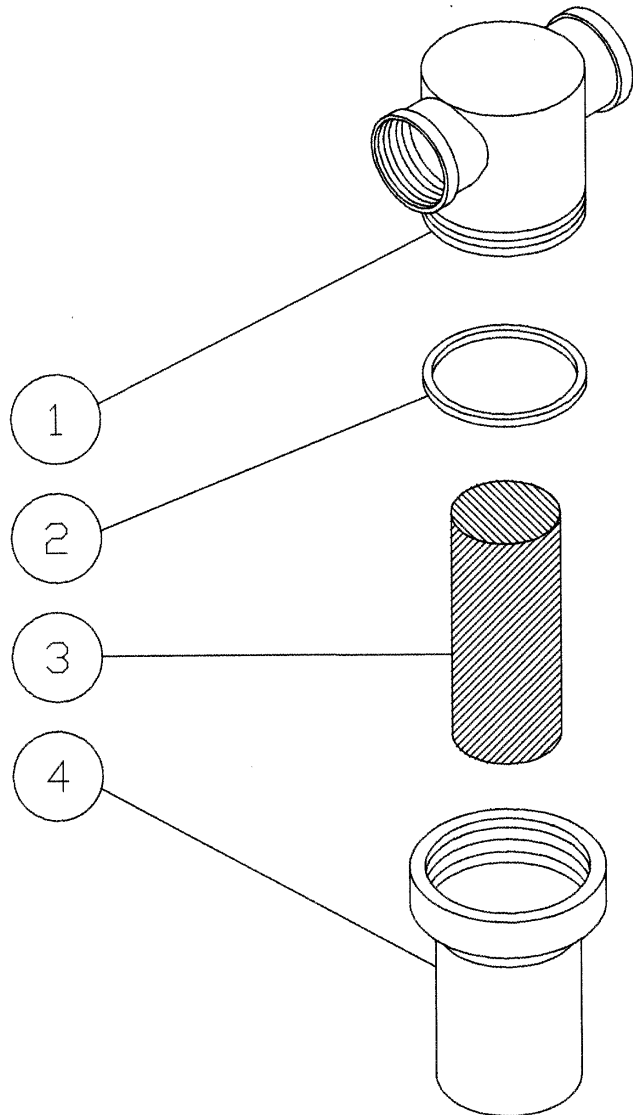
OMHS013S-070395-JTR

**SCHEMATIC DIAGRAM FOR HS-2204-CMH1 & HS-2505/3005-CMV1**

REF. #	DESCRIPTION
G1	Generator
SW1	Pressure Switch
F1	Fuse
HR1	Hourmeter
SW2	Switch
T1	Thermostat
TP1	Thermoprobe

OMHS013S-070395-JTR

## WATER STRAINER (19-0004)



OMGEN011-080595-JTR

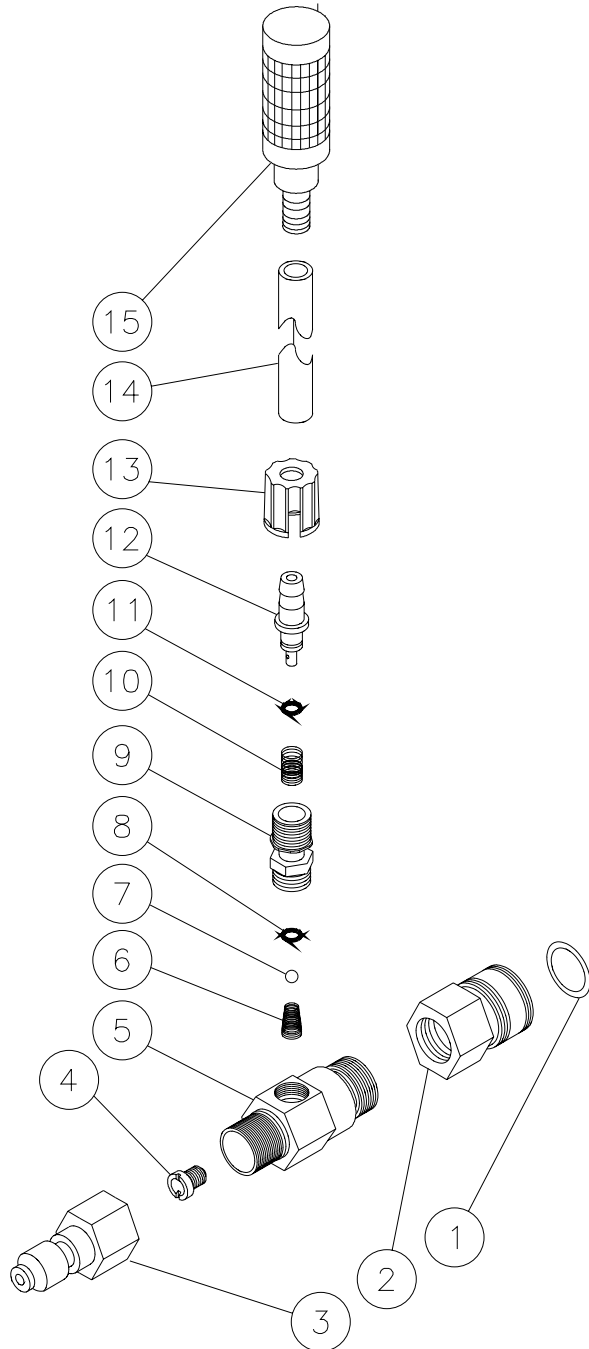
WATER STRAINER (19-0004)			
REF. #	DESCRIPTION	PART #	QTY.
1	Strainer Cap	19-0024	1
2	Strainer Gasket	26-0072	1
3	Strainer Screen	19-0015	1
4	Strainer Bowl	19-0025	1

OMGEN011-080595-JTR



# DETERGENT INJECTOR (850-0183)

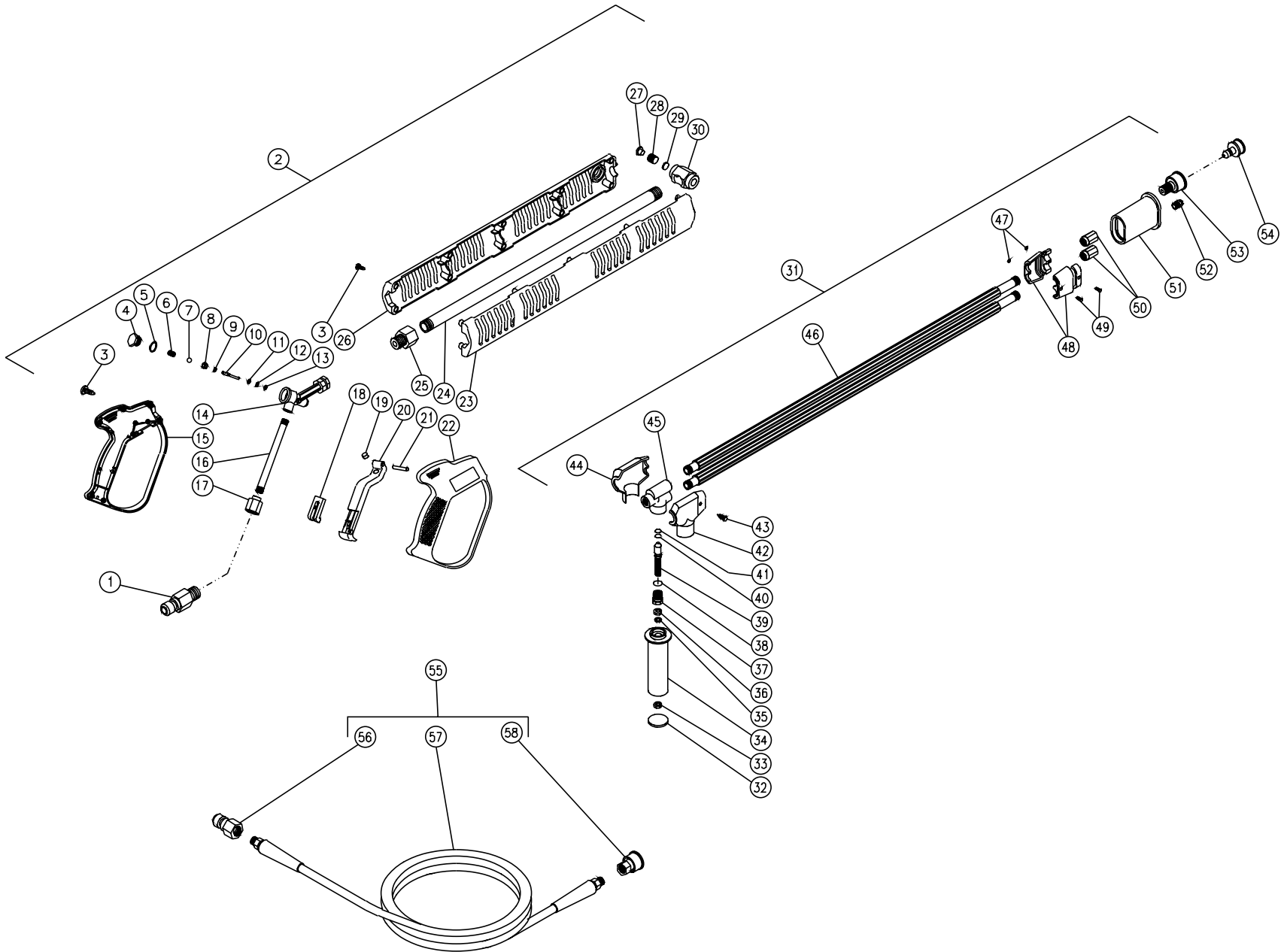
850-0183-032499-BAR



DETERGENT INJECTOR (850-0183)			
REF. #	DESCRIPTION	PART #	QTY.
1	O-ring (Replacement)	25-0123	1
2	Quick Connect Socket	17-0004	1
3	Quick Connect Plug	17-0006	1
4	Orifice 2.1mm	50-0057	1
5	Injector Body-Brass	N/A	1
6	Spring (Must order 852-0056)	N/A Sep.	1
7	Ball (Must order 852-0056)	N/A Sep.	1
8	O-ring (Must order 852-0056)	N/A Sep.	1
9	Piston Retainer	50-0156	1
10	Spring	49-0056	1
11	O-ring (Must order 852-0056)	N/A Sep.	1
12	Adjustable Shutter Barb	50-0157	1
13	Adjusting Knob-Black Plastic	50-0158	1
14	Hose *(Six Feet Required)	15-0021	1
15	Detergent Strainer	19-0050	1
	Detergent Injector Complete (Includes 4-13)	50-0052	
	Repair Kit (Includes 6-8, 11)	852-0056	
*Must Order in One Foot Lengths			

850-0183-032499-BAR

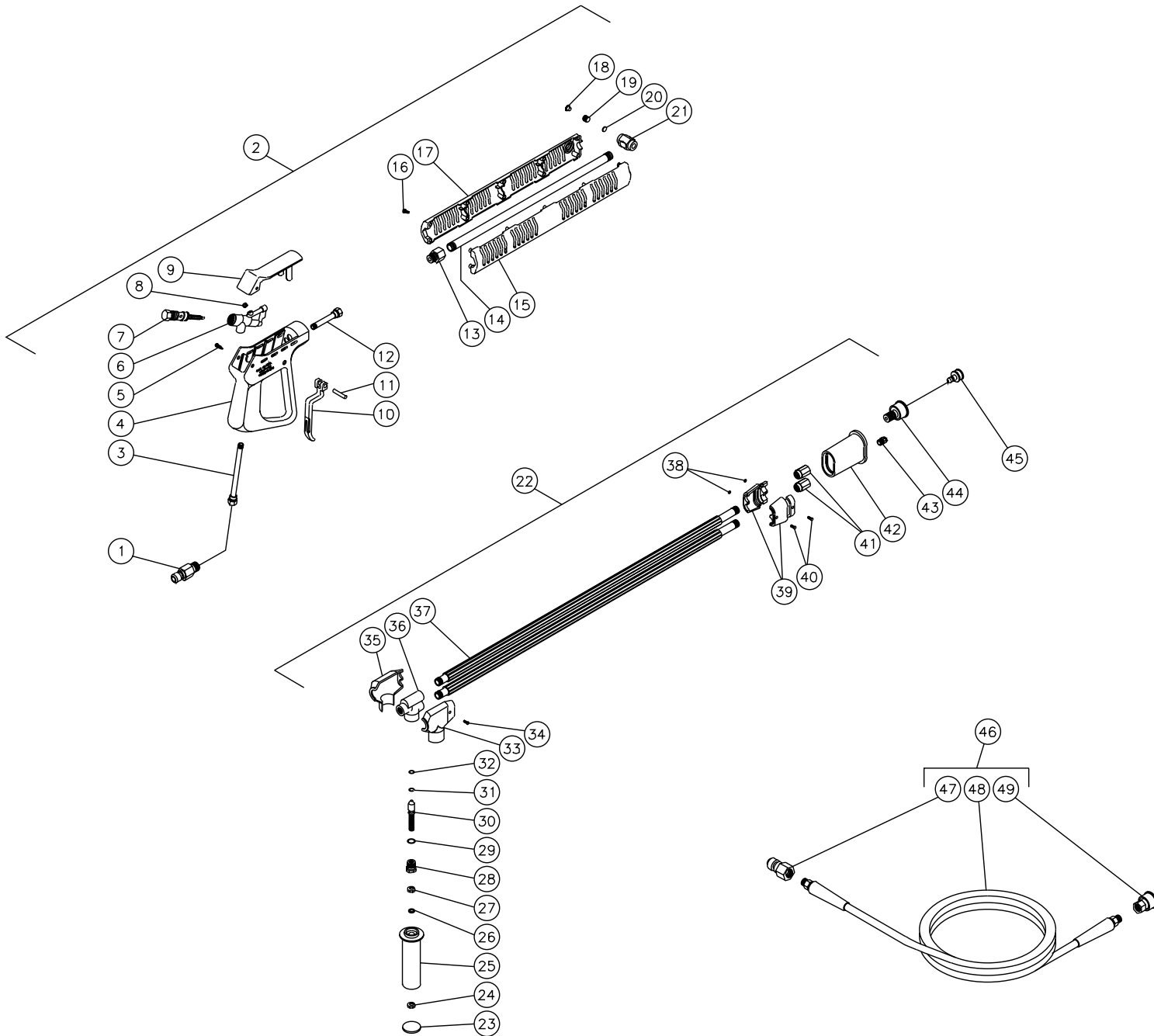
# GUN/WAND (850-0179) & DUAL LANCE (850-0186) ASSEMBLY



GEN213AE -040997-JTR

GUN/WAND (850-0179) & DUAL LANCE (850-0186) ASSEMBLY							
REF. #	DESCRIPTION	PART #	QTY.	REF. #	DESCRIPTION	PART #	QTY.
1	Quick Connect Plug	17-0005	1	35	Washer	28-1021	1
2	Gun w/Lance Assembly (Inc. 3-30)	850-0179	1	36	Hex Nut	30-3010	1
3	Screw	27-8382	13	37	Hex Adapter	23-0271	1
4	Plug (See 70-0057)	N/A Sep.	1	38	O-ring	25-0351	1
5	O-ring (See 70-0057)	N/A Sep.	1	39	Stem Piston	16-0314	1
6	Spring (See 70-0057)	N/A Sep.	1	40	Back-up Ring	25-0352	1
7	Ball (See 70-0057)	N/A Sep.	1	41	O-ring	25-0353	1
8	Seat (See 70-0057)	N/A Sep.	1	42	Upper Protector	16-0315	1
9	O-ring (See 70-0057)	N/A Sep.	1	43	Lower Protector	16-0316	1
10	Pin (See 70-0057)	N/A Sep.	1	44	Body	23-0272	1
11	Washer (See 70-0057)	N/A Sep.	1	45	Screw	27-8862	1
12	O-ring (See 70-0057)	N/A Sep.	1	46	Lance w/Protective Cover	16-0328	2
13	Back-up Ring (See 70-0057)	N/A Sep.	1	47	Hex Nut	30-3060	2
14	Housing	23-0295	1	48	Pipe Clamp	16-0318	2
15	Plastic Housing (Left Side)	16-0336	1	49	Screw	27-8861	2
16	Pipe	21-0095	1	50	Nipple	24-0127	2
17	Nipple	23-0174	1	51	Nozzle Protector	16-0319	1
18	Trigger Safety Lock	16-0332	1	52	Detergent Nozzle	18-0110	1
19	Trigger Rest	16-0333	1	53	Quick Connect Socket	17-0028	1
20	Trigger	16-0335	1	54	Nozzle - 0005 for HS-2204	18-0003	1
21	Trigger Pin	43-0069	1		Nozzle - 1505 for HS-2204	18-0004	1
22	Plastic Housing (Right Side)	16-0334	1		Nozzle - 2505 for HS-2204	18-0153	1
23	Guard Lance (Right Side)	16-0279	1		Nozzle - 4005 for HS-2204	18-0180	1
24	Pipe	16-0277	1		Nozzle - 00055 for HS-2505	18-0035	1
25	Adapter	16-0283	1		Nozzle - 15055 for HS-2505	18-0041	1
26	Guard Lance (Left Side)	16-0278	1		Nozzle - 25055 for HS-2505	18-0062	1
27	Plug	39-0076	1		Nozzle - 40055 for HS-2505	18-0180	1
28	Screw	49-0103	1	55	Hose Assembly-3000 PSI (Inc. 62-64)	851-0007	1
29	Spacer	16-0282	1	56	Quick Connect Plug	17-0006	1
30	Lance Holder (See 850-0179)	N/A Sep.	1	57	Hose Assembly	15-0003	1
31	Dual Lance Assembly (Inc. 32-53)	850-0186	1	58	Quick Connect Socket	17-0004	1
32	Handle Plug	16-0312	1		Gun Repair Kit (Inc. 4-13)	70-0057	
33	Hex Nut	30-3002	1		O-ring Kit (Inc. 38, 40, 41)	70-0143	
34	Handle	16-0313	1				

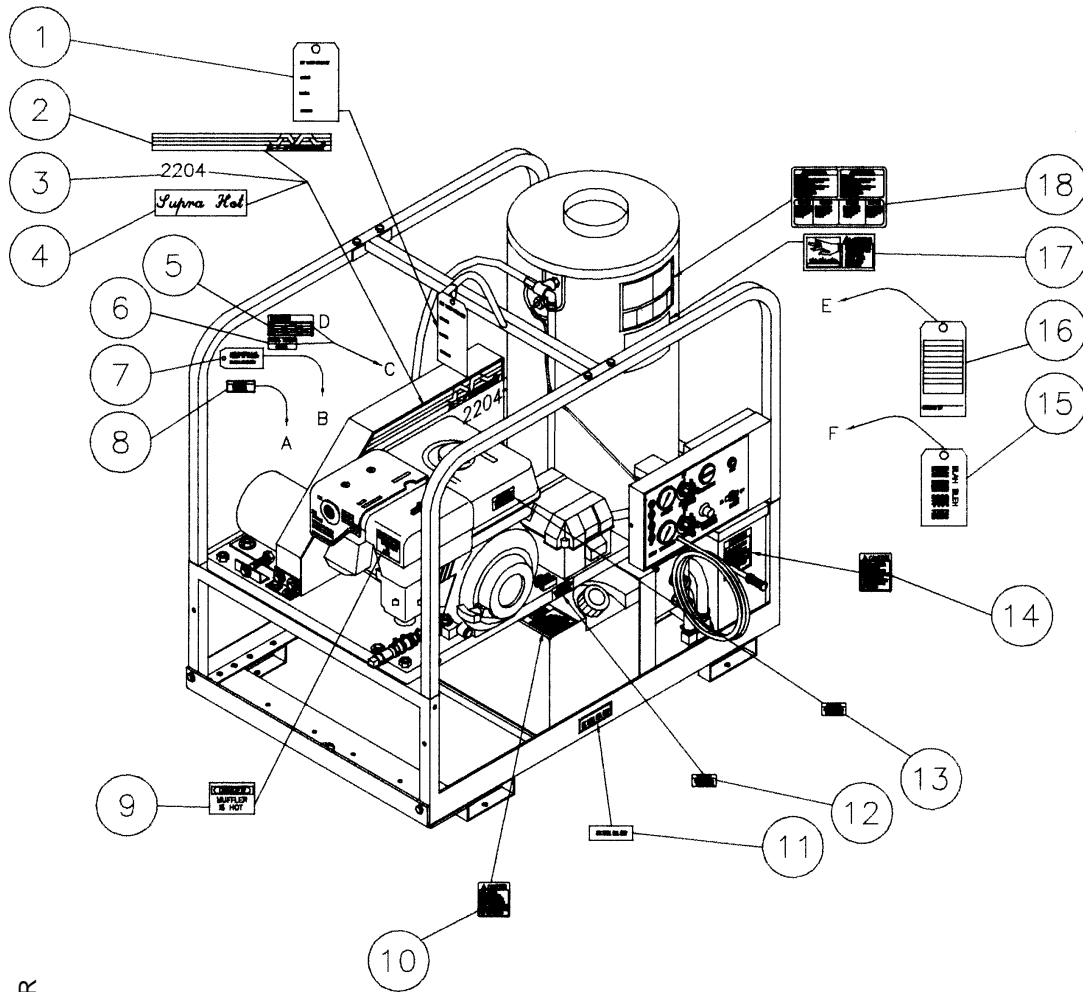
# GUN (850-0181) & DUAL LANCE (850-0178) ASSEMBLY



GEN218B /040997-JTR

GUN/WAND (850-0181) & DUAL LANCE (850-0178) ASSEMBLY							
REF. #	DESCRIPTION	PART #	QTY.	REF. #	DESCRIPTION	PART #	QTY.
1	Quick Connect Plug	17-0005	1	28	Hex Adaptor	23-0271	1
2	Gun/Lance Assembly (Includes 3-21)	850-0181	1	29	O-ring	25-0351	1
3	Pipe Assembly	16-0016	1	30	Piston	16-0314	1
4	Plastic Housing	16-0008	1	31	Back-up Ring	25-0352	1
5	Screw	27-3230	2	32	O-ring	25-0353	1
6	Housing	16-0012	1	33	Upper Protector	16-0315	1
7	Gun Repair Kit	70-0055	1	34	Screw	27-8862	1
8	Plug	39-0024	1	35	Lower Protector	16-0316	1
9	Cover	16-0009	1	36	Body	23-0272	1
10	Trigger Safety Lock-off	16-0010	1	37	Lance w/Protective Cover	16-0317	2
11	Trigger Pin	16-0063	1	38	Hex Nut	30-3060	2
12	Pipe Assembly	16-0013	1	39	Pipe Clamp	16-0318	2
13	Adaptor	16-0283	1	40	Screw	27-8861	2
14	Pipe	16-0277	1	41	Nipple	24-0127	2
15	Guard Lance (Right Side)	16-0320	1	42	Nozzle Protector	16-0319	1
16	Screw	27-8382	6	43	Detergent Nozzle	18-0110	1
17	Guard Lance (Left Side)	16-0321	1	44	Quick Connect Socket	17-0028	1
18	Plug	39-0076	1	45	Nozzle - 00055 for HS-3005	18-0035	1
19	Screw	49-0103	1		Nozzle - 15055 for HS-3005	18-0041	1
20	Spacer	16-0282	1		Nozzle - 25055 for HS-3005	18-0062	1
21	Lance Holder (See Kit 16-0306)	N/A Sep.	1		Nozzle - 40055 for HS-3005	18-0132	1
22	Dual Lance Assembly (Inc. 29-51)	850-0178	1	46	Hose Assembly (Inc. 53-55)	851-0006	1
23	Handle Plug	16-0312	1	47	Quick Connect Plug	17-0006	1
24	Hex Nut	30-3002	1	48	Hose	15-0004	1
25	Handle	16-0313	1	49	Quick Connect Socket	17-0004	1
26	Washer	28-1021	1		Lance Assembly (13-21)	16-0306	
27	Hex Nut	30-3010	1		O-ring Kit (Includes 29, 31, 32)	70-0143	

## DECAL PLACEMENT FOR HS-2204-BMH1/CMH1

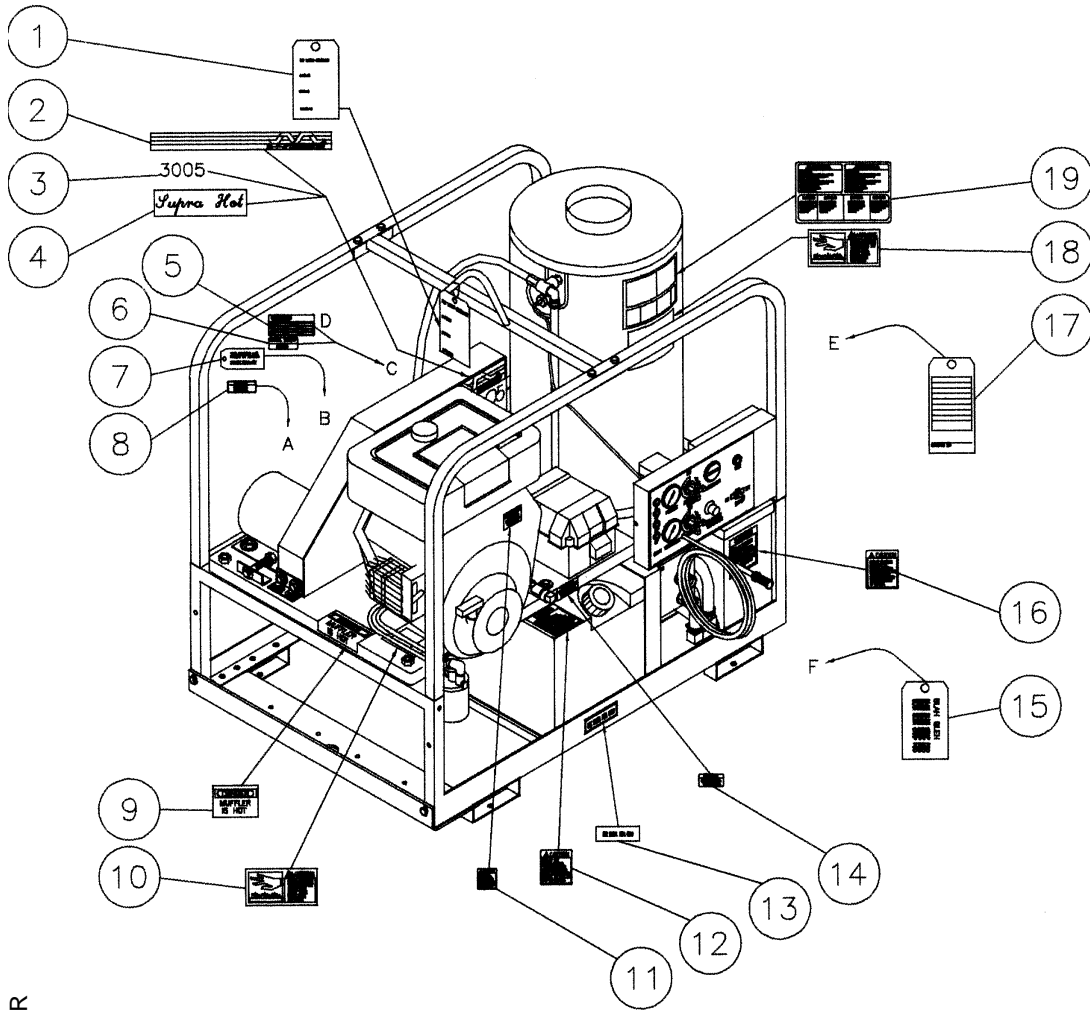


OMHS017 / 101095JTR

DECAL PLACEMENT FOR HS-2204-BMH1/CMH1			
REF. #	DESCRIPTION	PART #	QTY.
1	Tag-Control Checklist	34-0101	1
2	Decal-Beltguard	34-0167	1
3	Decal-White Die Cut	34-0049	1
4	Decal-Supra Hot	34-0212	1
5	Decal-Silver Sticker	34-0083	1
6	Decal-Hot Water Serial Number	N/A	1
7	Tag-Unloader Was Preset	34-0099	1
8	Decal-Pump Instructions	34-0128	1
9	Decal-Danger: Muffler Hot	34-0078	1
10	Decal-Caution: Risk of Fire	34-0284	1
11	Decal-Deisel Only	34-0089	1
12	Decal-Caution: Battery Terminal	34-0589	1
13	Decal-Risk of Fire	34-0588	1
14	Tag-Battery Hang Tag	34-0096	1
15	Decal-Caution: Risk of Injection	34-0283	1
16	Tag-Check List Burner	34-0098	1
17	Decal-Warning: Burner & Guard	34-0282	1
18	Decal-Caution/Warning	34-0288	1

OMHS017-101095-JTR

## DECAL PLACEMENT FOR FOR HS-2505/3005-CMV1

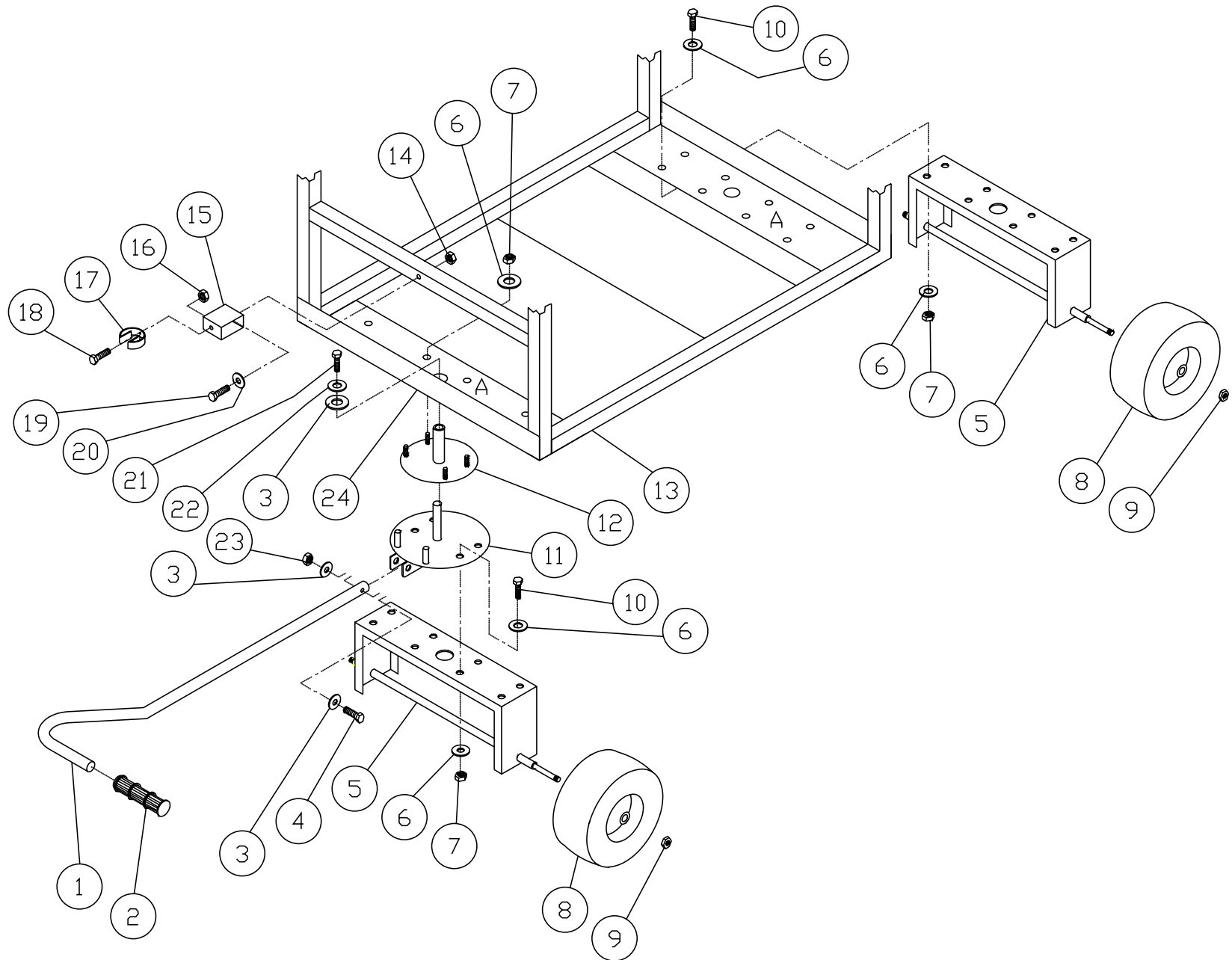


OMHS022 / 072495JTR

DECAL PLACEMENT FOR HS-2505/3005-CMV1			
REF. #	DESCRIPTION	PART #	QTY.
1	Tag-Control Checklist	34-0101	1
2	Decal-Beltguard	34-0167	1
3	Decal-White Die Cut	34-0039	1
4	Decal-Supra Hot	34-0212	1
5	Decal-Silver Sticker	34-0083	1
6	Decal-Hot Water Serial Number	N/A	1
7	Tag-Unloader Was Preset	34-0099	1
8	Decal-Pump Instructions	34-0128	1
9	Decal-Danger: Muffler Hot	34-0078	1
10	Decal-Warning: Oil Line	34-0366	1
11	Decal-Risk of Fire	34-0588	1
12	Decal-Caution: Risk of Fire	34-0284	1
13	Decal-Deisel Only	34-0089	1
14	Decal-Caution: Battery Terminal	34-0589	1
15	Tag-Battery Hang Tag	34-0096	1
16	Decal-Caution: Risk of Injection	34-0283	1
17	Tag-Check List Burner	34-0098	1
18	Decal-Warning: Burner & Guard	34-0282	1
19	Decal-Caution/Warning	34-0288	1

OMHS022-072495-JTR

# WHEEL KIT (AW-5540/5640-0000)

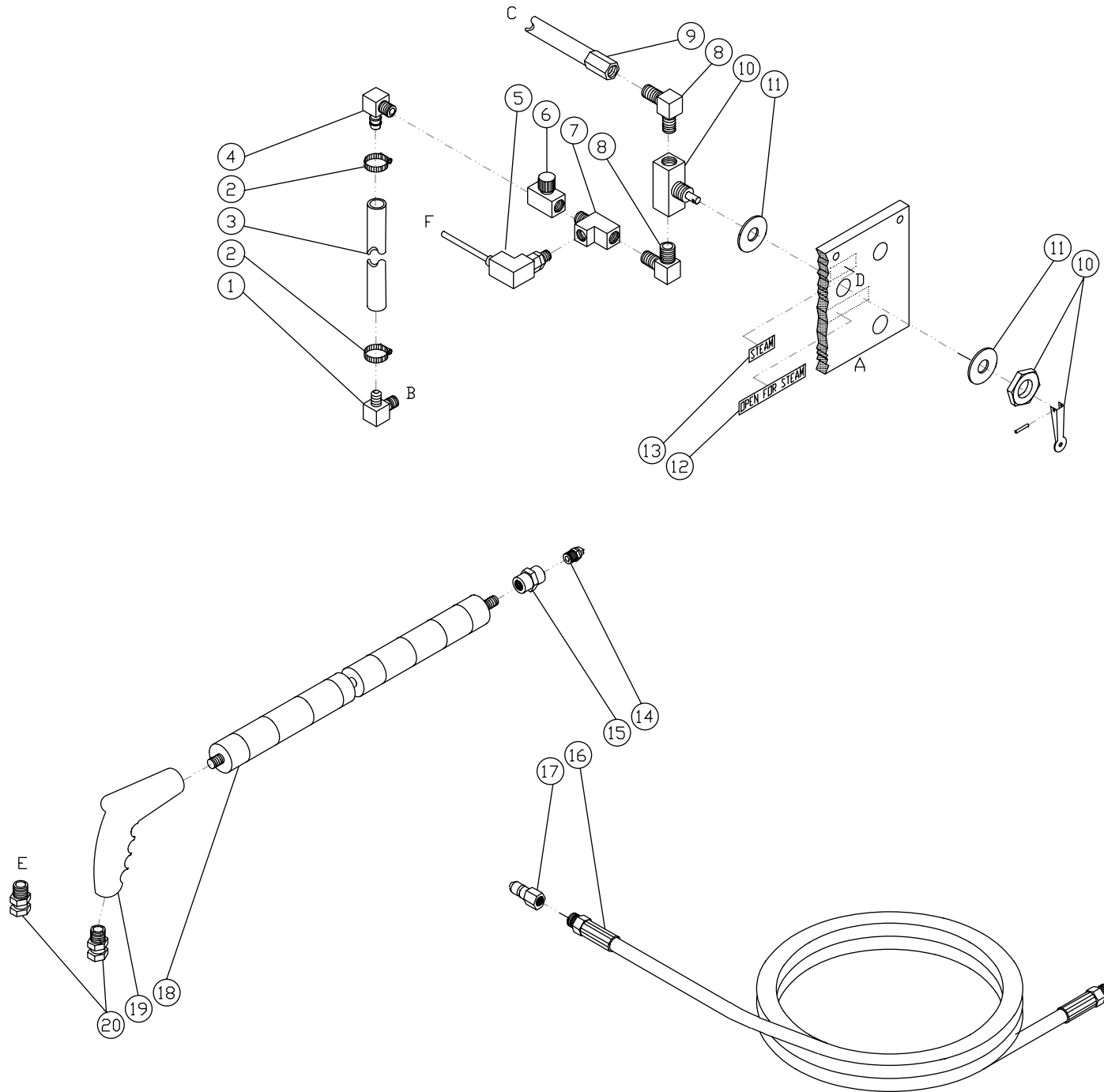


AW-5540-102496-JTR



WHEEL KIT (AW-5540/5640-0000)			
REF. #	DESCRIPTION	PART #	QTY.
1	Handle	20-0252	1
2	Handle Grip	7-0059	1
3	Washer	28-0023	3
4	Bolt	27-0121	1
5	Wheel Underbracket	20-0185	2
6	Washer	28-0003	20
7	Locknut	30-0157	12
8	Wheel	14-0006	4
9	Jam Nut	30-0117	4
10	Bolt	27-0067	8
11	Turn Disk-Bottom Assembly	20-0249	1
12	Turn Disk-Top Assembly	20-0250	1
13	Frame	5-0092	1
14	Locknut	30-0155	1
15	Brace	20-0253	1
16	Locknut	30-0154	1
17	Gripper Clip	33-0104	1
18	Screw	27-2930	1
19	Bolt	27-0015	1
20	Washer	28-0002	1
21	Bolt	27-0117	1
22	Lockwasher	29-0008	1
23	Locknut	30-0159	1
24	Underbracket (AW-5540-0000) for HS-3005-CMK0	20-0251	1
-	Underbracket (AW-5640-0000) for HS-3005/3006-DMK0	13-0078	1

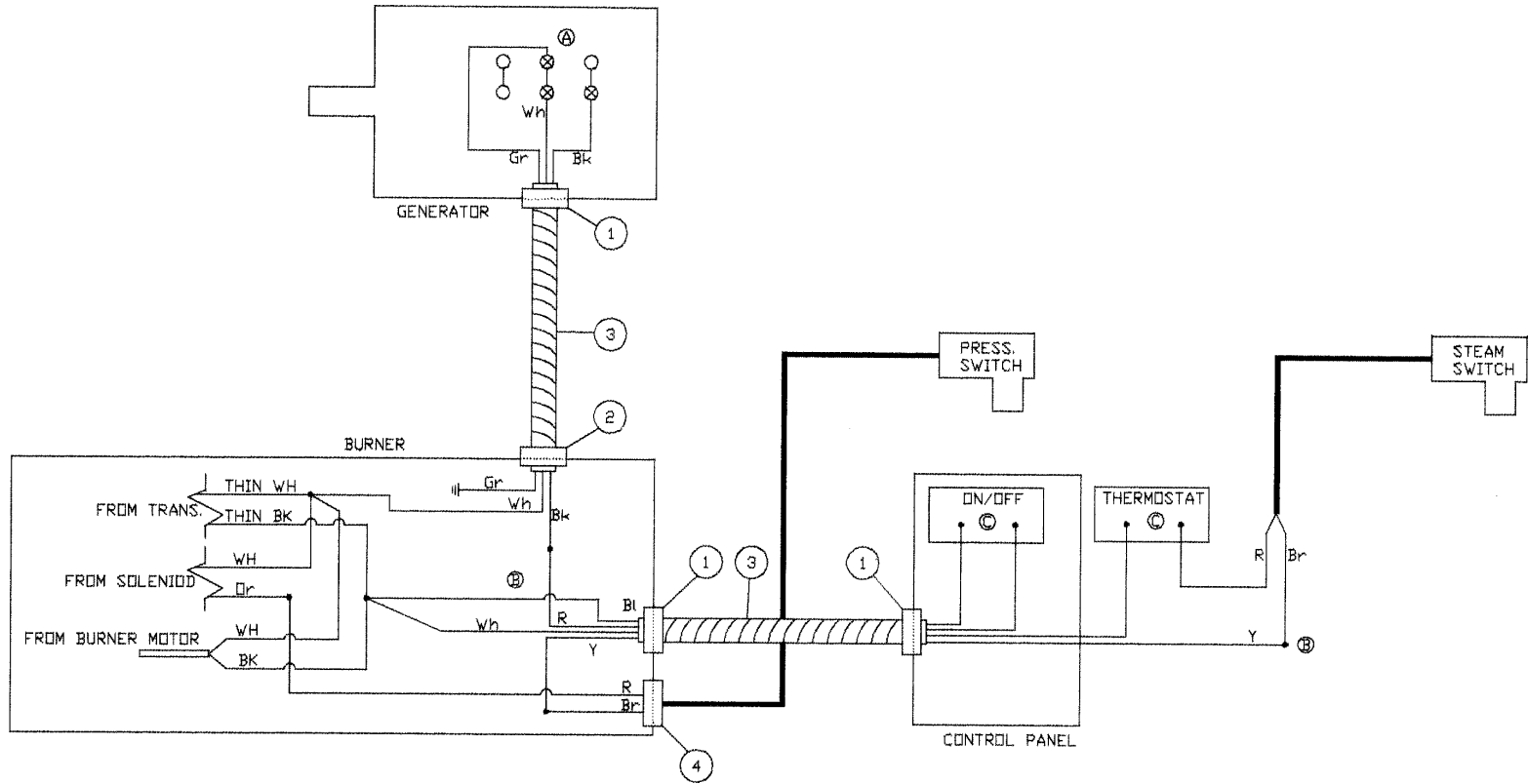
# STEAM OPTION (HX-0015) FOR HS-2204-BMH1



PDHX015 -080195-JTR

<b>STEAM OPTION (HX-0015) FOR HS-2204-BMH1</b>			
<b>REF. #</b>	<b>DESCRIPTION</b>	<b>PART #</b>	<b>QTY.</b>
1	Elbow	23-0050	1
2	Hose Clamp	42-0011	2
3	Hose *(Four Feet Required)	15-0007	1
4	Elbow	23-0119	1
5	Pressure Switch	22-0119	1
6	Valve	22-0110	1
7	Tee	23-0127	1
8	Elbow	23-0130	1
9	Hose Assembly	15-0078	1
10	Valve	22-0120	1
11	Washer	28-0024	1
12	Decal-Open for Steam	34-0239	1
13	Decal-Steam	34-0227	1
14	Nozzle	18-0183	1
15	Connector	23-0002	1
16	Hose Assembly	15-0077	1
17	Quick Connect Plug	17-0006	1
18	Lance	16-0111	1
19	Gun (Steam)	16-0064	1
20	Connect	24-0049	2
*Must Order in One Foot Lengths			

# WIRING DIAGRAM FOR STEAM OPTION (HX-0015) FOR HS-2204-BMH1

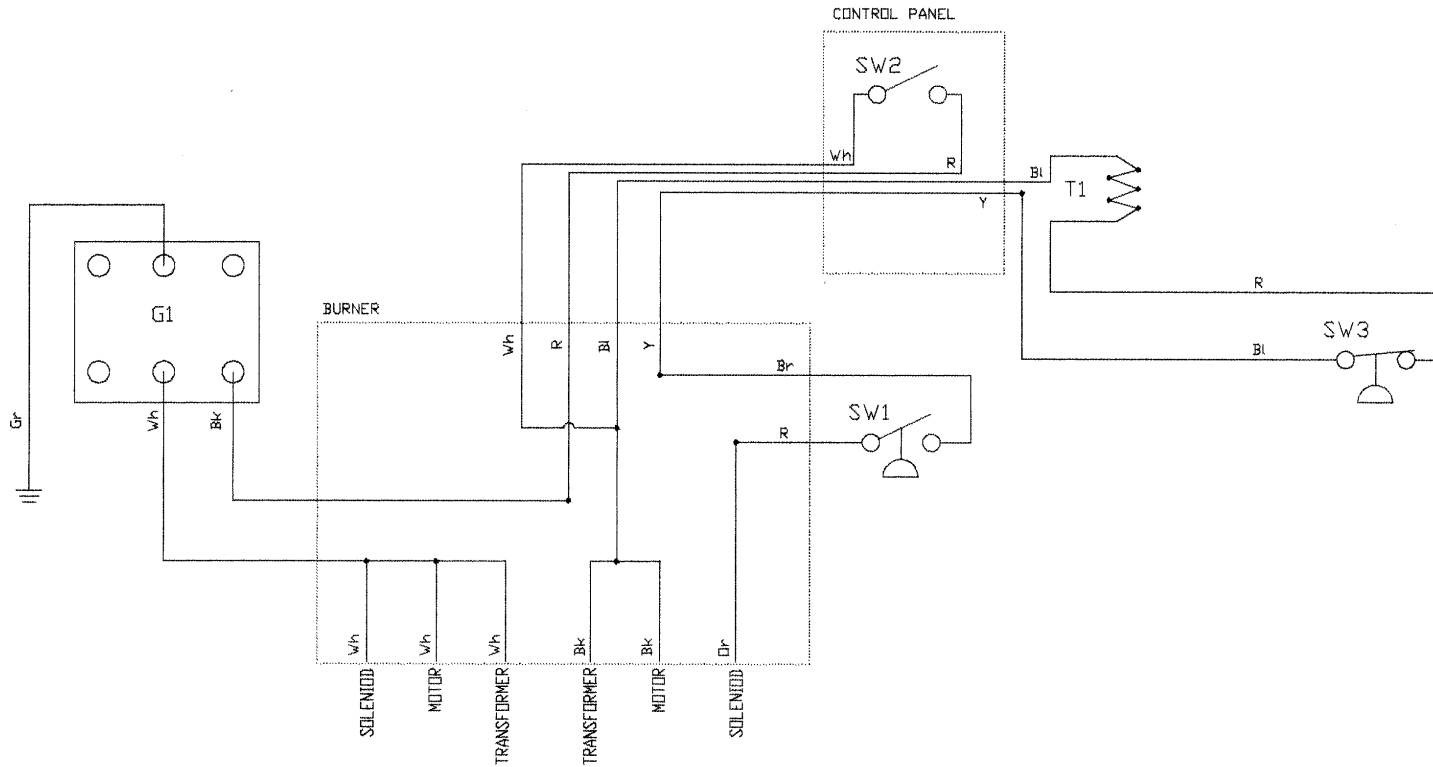


PDHS029W-080395-JTR

WIRING DIAGRAM FOR STEAM OPTION (HX-0015) FOR HS-2204-BMH1								
REF. #	DESCRIPTION	PART #	QTY.		REF. #	DESCRIPTION	PART #	QTY.
1	Connect- Conduit Straight	32-0255	3		GR	Green Wire *(Eleven Feet Required)	32-0248	1
2	Connect- Conduit	32-0254	1		BK	Black Wire *(Twelve Feet Required)	32-0256	1
3	Flex Conduit *(Six Feet Required)	32-0253	1		WH	White Wire *(Eight Feet Required)	32-0094	1
4	Connector	32-0085	1		Y	Yellow Wire *(Four Feet Required)	32-0095	1
A	Ring Terminal	32-0099	3		R	Red Wire *(Four Feet Required)	32-0092	1
B	Wire Crimp	32-0359	6		BL	Blue Wire *(One Foor Required)	32-0093	1
C	Quick Connect Terminal	32-0221	9		*Must Order in One Foot Lengths			

PDHS029 / 080395JTR

## SCHEMATIC DIAGRAM FOR STEAM OPTION (HX-0015) FOR HS-2204-BMH1

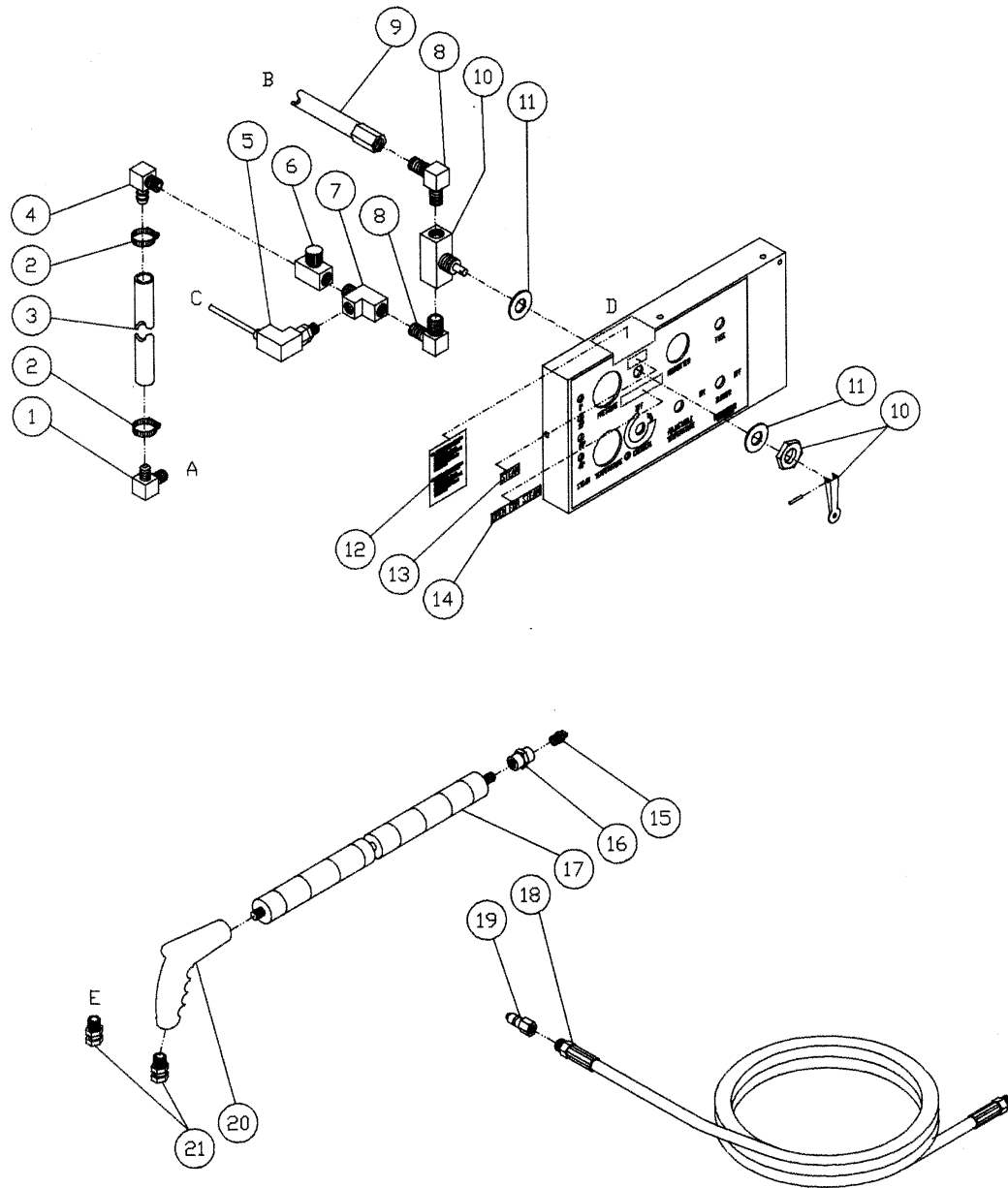


PDHS029S-080395-JTR

SCHEMATIC DIAGRAM FOR THE STEAM OPTION (HX-0015) HS-2204-BMH1	
REF. #	DESCRIPTION
G1	Generator
SW1	Pressure Switch
SW2	Switch
SW3	Pressure Switch (Steam Switch)
T1	Thermostat

PDHS029 -080395-JTR

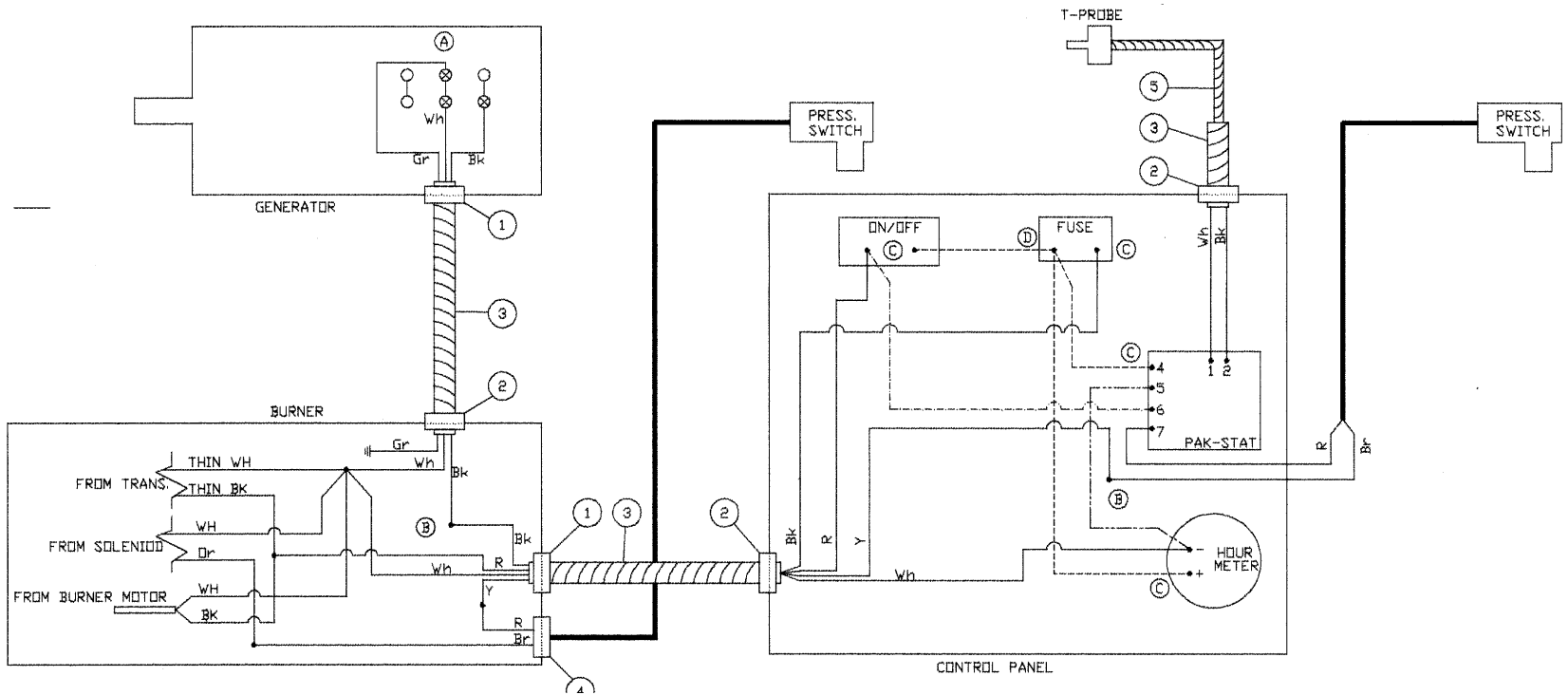
# STEAM OPTION (HX-0016) FOR HS-2204-CMH1 & HS-2505/3005-CMV1



PDHX016-080295-JTR

<b>STEAM OPTION (HX-0016) FOR HS-2204-CMH1 &amp; HS-2505/3005-CMV1</b>			
<b>REF. #</b>	<b>DESCRIPTION</b>	<b>PART #</b>	<b>QTY.</b>
1	Elbow	23-0050	1
2	Hose Clamp	42-0011	2
3	Hose *(Four Feet Required)	15-0007	1
4	Elbow	23-0119	1
5	Pressure Switch	22-0119	1
6	Valve	22-0110	1
7	Tee	23-0127	1
8	Elbow	23-0130	1
9	Hose Assembly	15-0078	1
10	Valve	22-0120	1
11	Washer	28-0024	2
12	Decal-Instruction Steam	34-0256	1
13	Decal-Steam	34-0227	1
14	Decal-Open for Steam	34-0239	1
15	Nozzle	18-0183	1
16	Connector	23-0002	1
17	Lance	16-0111	1
18	Hose Assembly	15-0077	1
19	Quick Connect Plug	17-0006	1
20	Gun (Steam)	16-0064	1
21	Connect	24-0049	2
*Must Order in One Foot Lengths			

# WIRING DIAGRAM FOR STEAM OPTION (HX-0016) FOR HS-2204-CMH1HS-2505/3005-CMV1



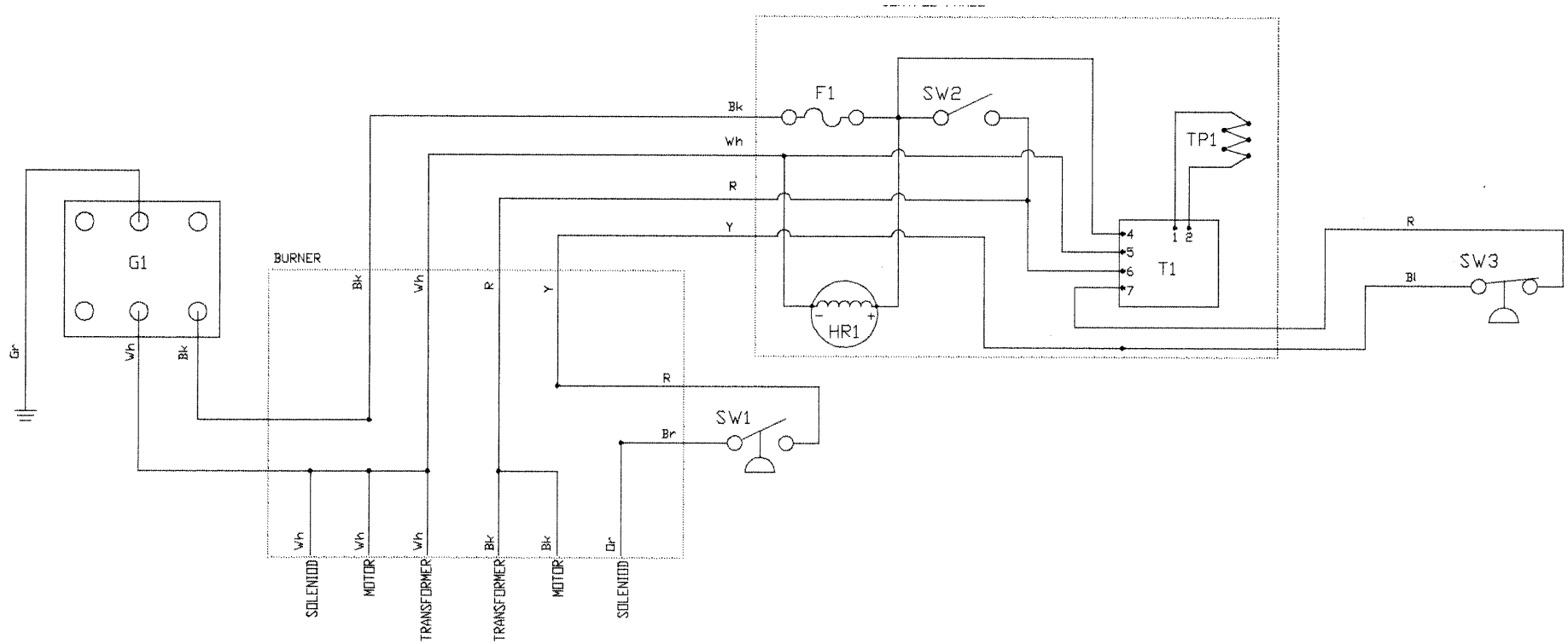
PDHS030W-080395-JTR

WIRING DIAGRAM FOR STEAM OPTION (HX-0016) HS-2204-CMH1 & HS-2505/3005-CMV1								
REF. #	DESCRIPTION	PART #	QTY.		REF. #	DESCRIPTION	PART #	QTY.
1	Connect - Conduit Strait	32-0255	3		D	Quick Connect Terminal	32-0222	1
2	Connect - Conduit	32-0254	1		GR	Green Wire *(Eleven Feet Required)	32-0248	1
3	Conduit - Flex *(Six Feet Required)	32-0253	1		BK	Black Wire *(Twelve Feet Required)	32-0256	1
4	Connector	32-0085	1		WH	White Wire *(Eight Feet Required)	32-0094	1
5	Wrap *(Four Feet Required)	33-0114	1		Y	Yellow Wire *(Four Feet Required)	32-0095	1
A	Ring Terminal	32-0099	3		R	Red Wire *(Four Feet Required)	32-0092	1
B	Wire Crimp	32-0359	5		-	Blue Wire *( One Foot Required)	32-0093	1
C	Quick Connect Terminal	32-0221	9		*Must Order in One Foot Lengths			

PDHS030-080395-JTR



# SCHEMATIC FOR STEAM OPTION (HX-0016) FOR HS-2204-CMH1 & HS-2505/3005-CMV1

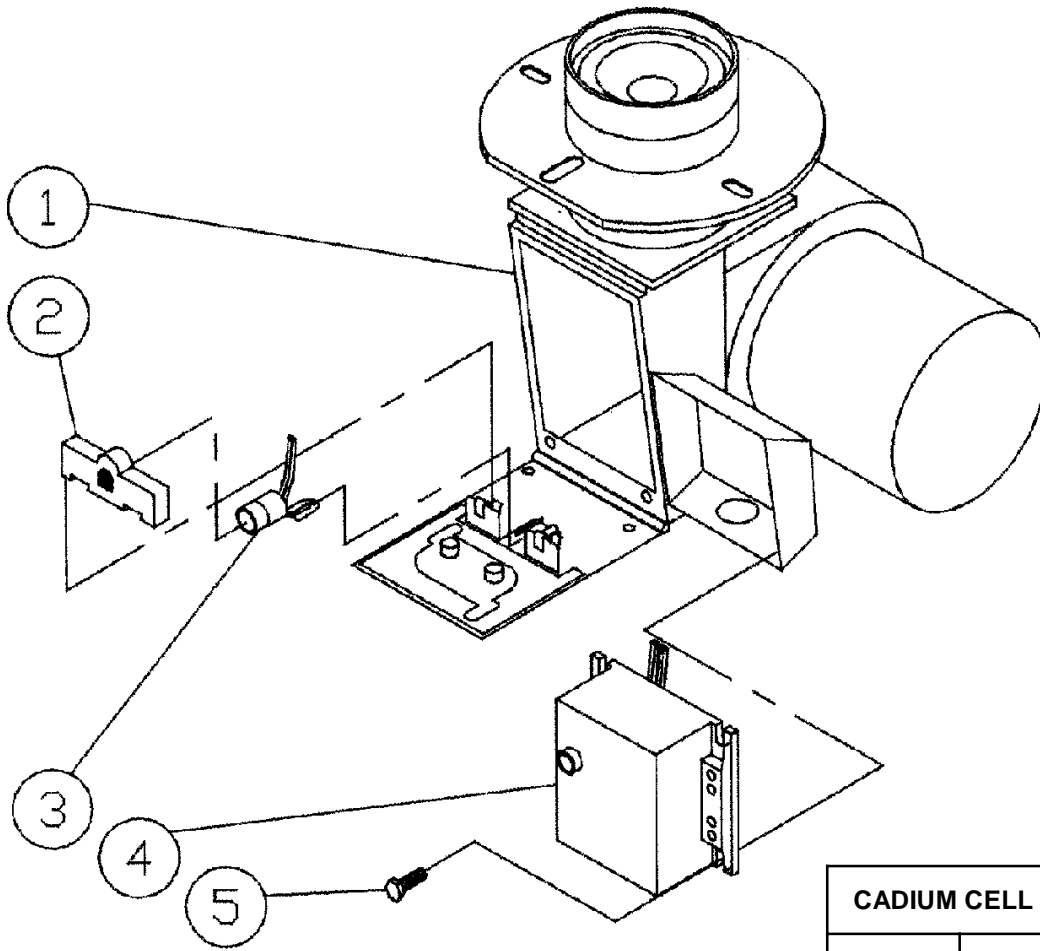


PDHS030S-080395-JTR

SCHEMATIC DIAGRAM FOR STEAM OPTON (HX-0016) HS-2204-CMH1 & HS-2505/3005-CMV1	
REF. #	DESCRIPTION
G1	Generator
SW1	Pressure Switch
F1	Fuse
HR1	Hourmeter
SW2	Switch
T1	Thermostat
TP1	Thermoprobe
SW3	Pressure Switch (Steam Switch)

PDHS030-080395-JTR

## CADIUM CELL (HX-0033) FOR HS-2204-BMH1/CMH1 & HS-2505/3005-CMV1

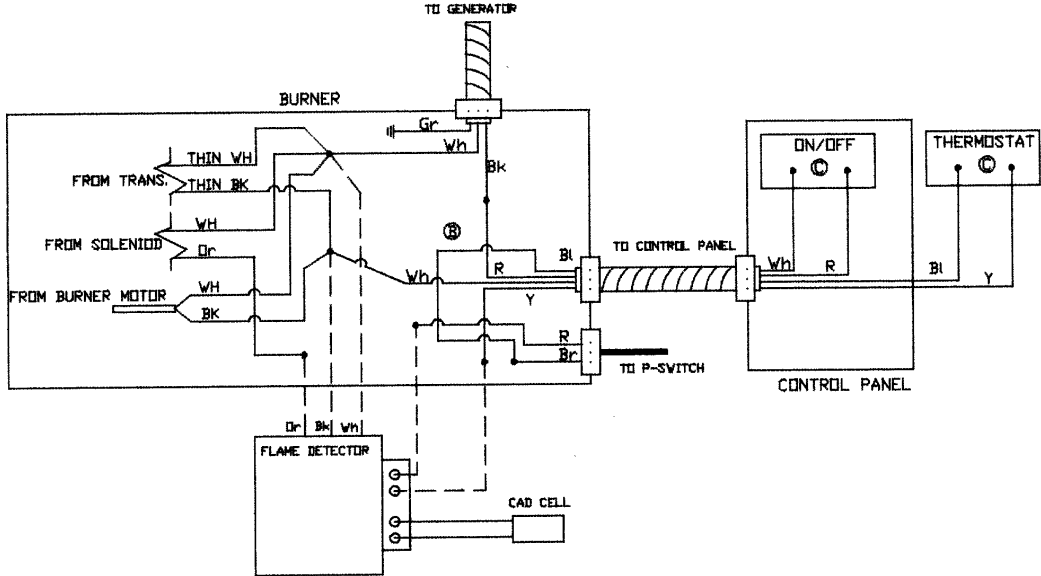


PDHX033-080595-JTR

CADIUM CELL (HX-0033) FOR HS-2204-BMH1/CMH1 & HS-2505/3005-CMV1			
REF. #	DESCRIPTION	PART #	QTY.
1	Burner	4-0009	1
2	Pad	N/A	1
3	Cad Cell - Burner	44-0048	1
4	Flame Detector - 120 volts	44-0052	1
5	Screw	N/A	1

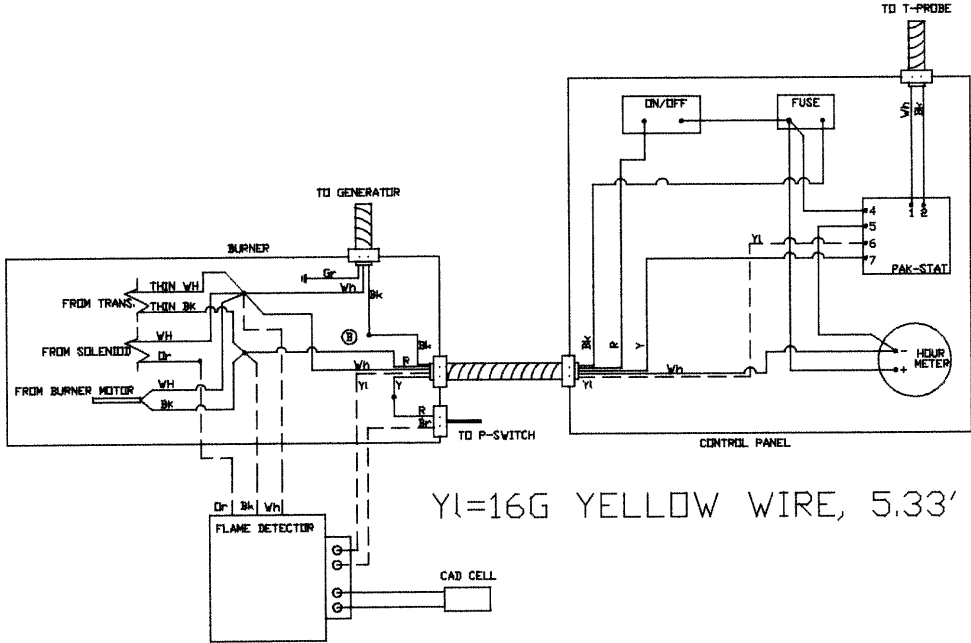
PDHX033-080595-JTR

WIRING DIAGRAM FOR CADMIUM CELL (HX-0033) FOR HS-2204-BMH1



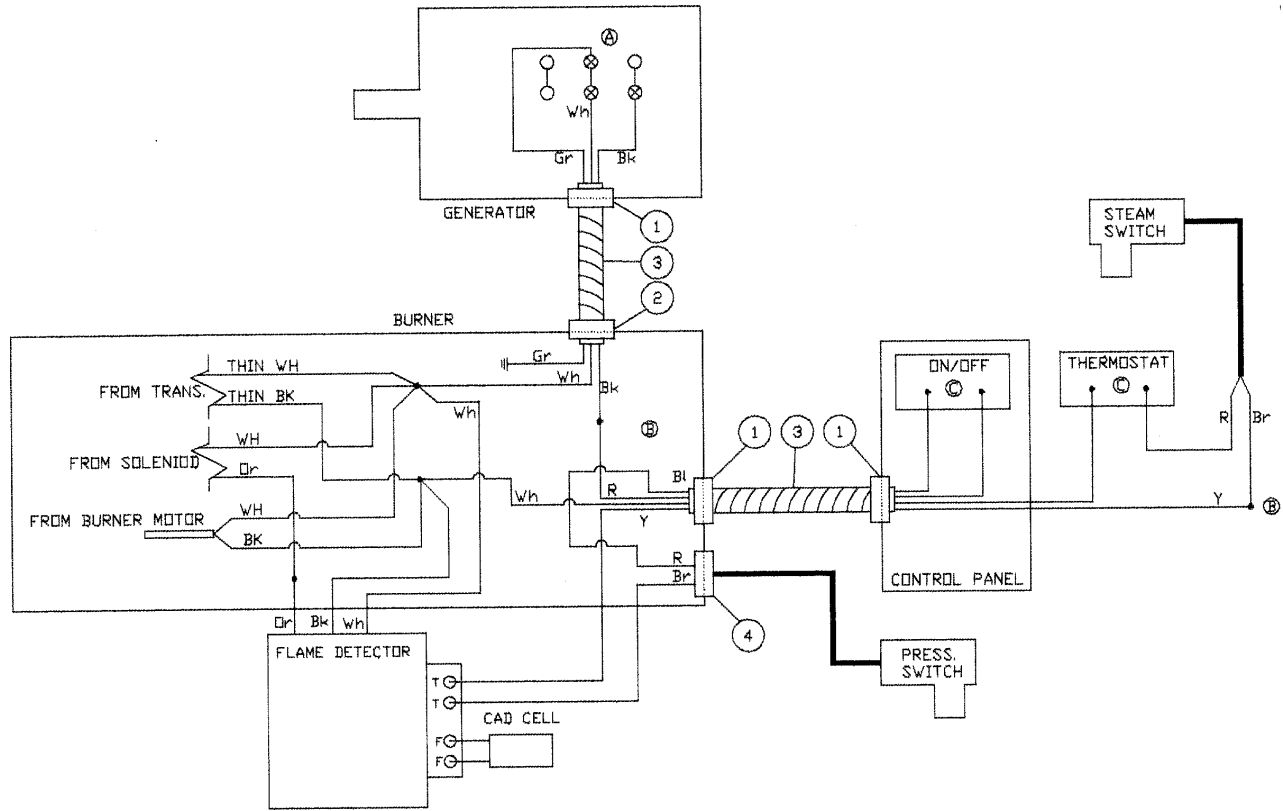
PDHX033-080595-JTR

WIRING DIAGRAM FOR CADMIUM CELL (HX-0033) HS-2204-CM1 & HS-2505/3005-CMV1



PDHX033-080595-JTR

# STEAM OPTION (HX-0015) PLUS CADMIUM CELL OPTION (HX-0033) WIRING DIAGRAM FOR HS-2204-BMH1

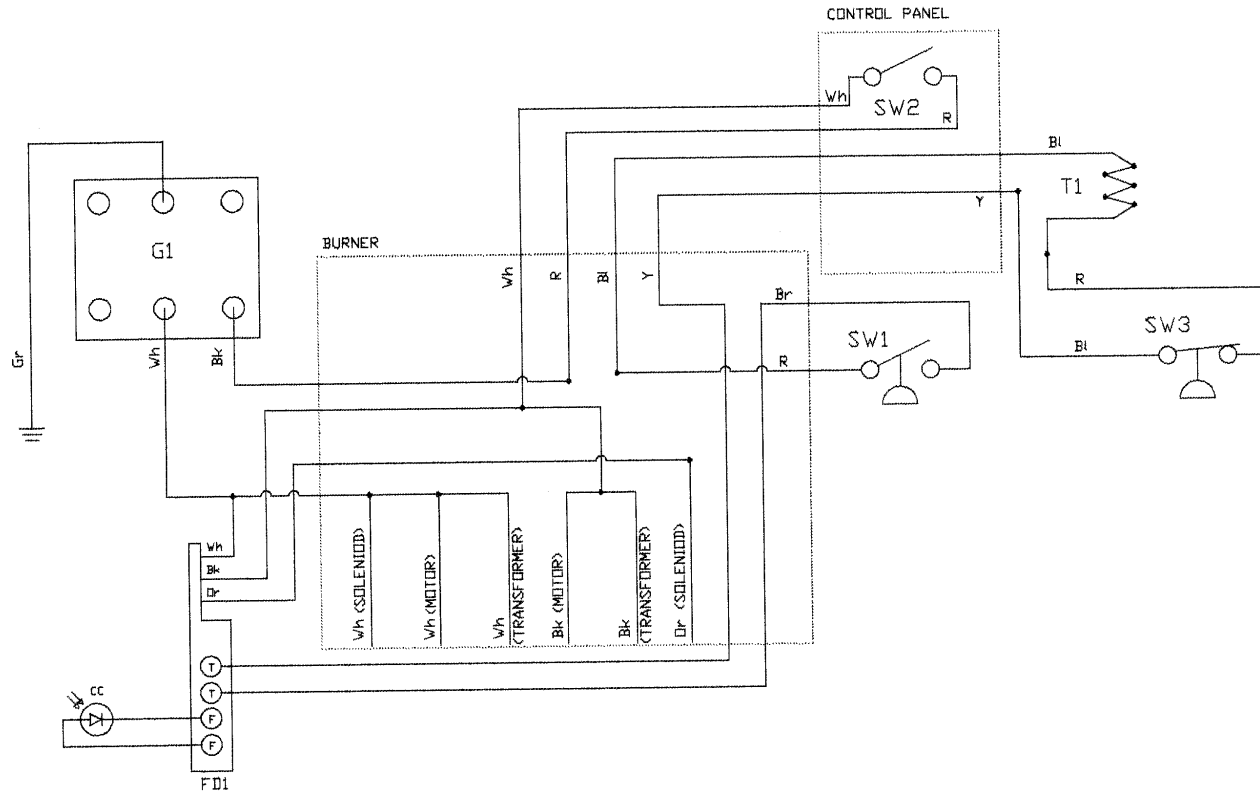


PDHS033W-080895-JTR

STEAM OPTION (HX-0015) PLUS CADMIUM CELL OPTION (HX-0033) WIRING DIAGRAM FOR THE HS-2204-BMH1							
REF. #	DESCRIPTION	PART #	QTY.	REF. #	DESCRIPTION	PART #	QTY.
1	Connect - Conduit Strait	32-0255	3	GR	Green Wire *(Eleven Feet Required)	32-0248	1
2	Connect - Conduit	32-0254	1	BK	Black Wire *(Twelve Feet Required)	32-0256	1
3	Conduit - Flex *(Six Feet Required)	32-0253	1	WH	White Wire *(Eight Feet Required)	32-0094	1
4	Connector	32-0085	1	Y	Yellow Wire *(Four Feet Required)	32-0095	1
A	Ring Terminal	32-0099	3	R	Red Wire *(Four Feet Required)	32-0092	1
B	Wire Crimp	32-0359	5	-	Blue Wire *(One Foot Required)	32-0093	1
C	Quick Connect Terminal	32-0221	9	*Must Order in One Foot Lengths			

PDHS033-080895-JTR

# STEAM OPTION (HX-0015) PLUS CADMIUM CELL OPTION (HX-0033) SCHEMATIC DIAGRAM FOR THE HS-2204-BMH1

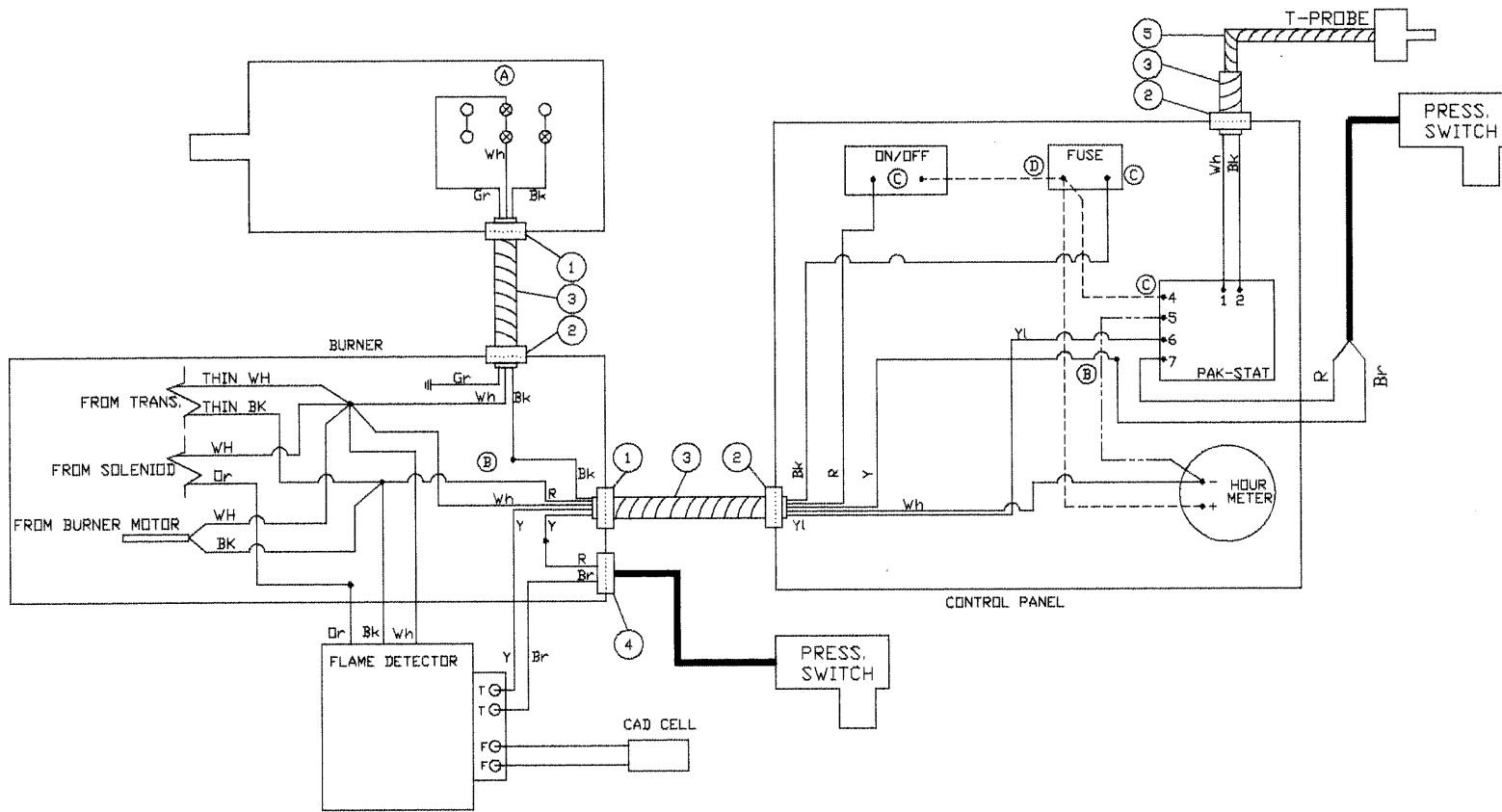


PDHS033S-080895-JTR

STEAM OPTION (HX-0015) PLUS CADMIUM CELL OPTION (HX-0033) SCHEMATIC DIAGRAM FOR THE HS-2204-BMH1	
REF. #	DESCRIPTION
G1	Generator
SW1	Pressure Switch
SW2	Switch
SW3	Pressure Switch (Steam Switch)
T1	Thermostat

PDHS033-080895-JTR

**STEAM OPTION (HX-0016) PLUS CADMIUM CELL OPTION (HX-0033) WIRING DIAGRAM FOR THE HS-2204-CMH1 & HS-2505/3005-CMV1**



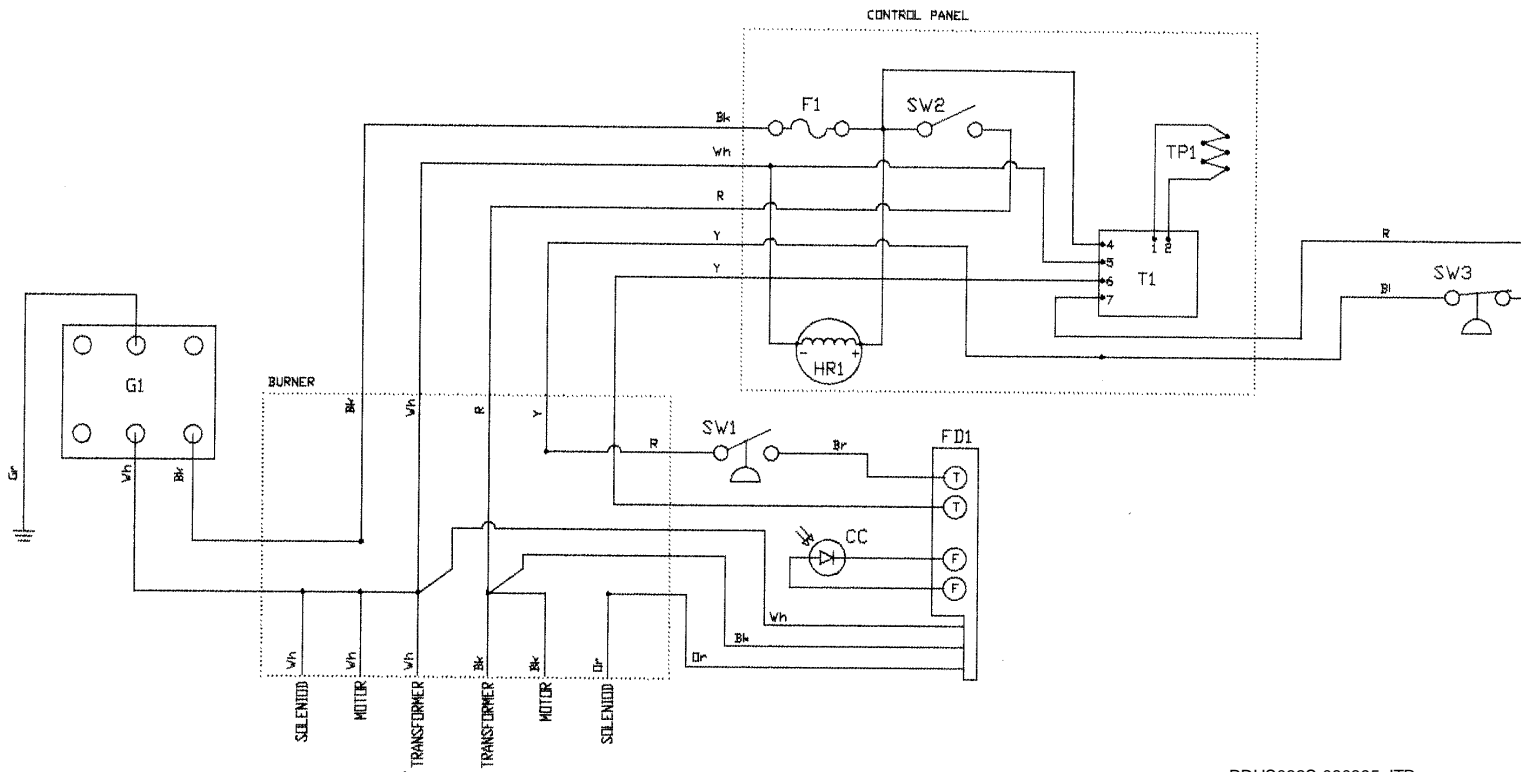
PDHS032W-080395-JTR

CADMIUM/STEAM WIRING DIAGRAM FOR HS-2204-CMH1 & HS-2505/3005-CMV1							
REF. #	DESCRIPTION	PART #	QTY.	REF. #	DESCRIPTION	PART #	QTY.
1	Connect - Conduit Strait	32-0255	3	D	Quick Connect Terminal	32-0222	1
2	Connect - Conduit	32-0254	1	GR	Green Wire *(Eleven Feet Required)	32-0248	1
3	Conduit - Flex *(Six Feet Required)	32-0253	1	BK	Black Wire *(Twelve Feet Required)	32-0256	1
4	Connector	32-0085	1	WH	White Wire *(Eight Feet Required)	32-0094	1
5	Wrap *(Four Feet Required)	33-0114	1	Y	Yellow Wire *(Four Feet Required)	32-0095	1
A	Ring Terminal	32-0099	3	R	Red Wire *(Four Feet Required)	32-0092	1
B	Wire Crimp	32-0359	5	-	Black Wire	32-0256	-
C	Quick Connect Terminal	32-0221	9	-	Blue Wire *( One Foot Required)	32-0093	1

\*Must Order in One Foot Lengths

PDHS032-080395-JTR

**STEAM OPTION (HX-0016) PLUS CADMIUM CELL OPTION (HX-0033) SCHEMATIC DIAGRAM FOR THE HS-2204-CMH1 & HS-2505/3005-CMV1**



PDHS032S-080395-JTR

STEAM OPTION (HX-0016) PLUS CADMIUM CELL OPTION (HX-0033) SCHEMATIC DIAGRAM HS-2204-CMH1 & HS-2505/3005-CMV1	
REF. #	DESCRIPTION
CC	Cadmium Cell
FD1	Flame Detector
F1	Fuse
HR1	Hourmeter
G1	Generator
SW1	Pressure Switch
SW2	Switch
SW3	Pressure Switch (Steam Switch)
T1	Thermostat
TP1	Thermoprobe

PDHS032-080395-JTR

