



***Performance Under Pressure***

PARTS LIST FOR  
***CWC-4005-1MGH***  
***CWC-5004-1MGH***  
(AFTER SERIAL #10230792)

ENGINE OIL GRADE:	SAE10W-30
ENGINE OIL CAPACITY:	54 oz.
PUMP OIL GRADE:	Mi-T-M #AW-4085-0016
PUMP OIL CAPACITY:	40.6 oz.
PRESSURE NOZZLE SIZE FOR	
CWC-4005-1MGH	5.0
CWC-5004-1MGH	3.5

This Parts Listing has been compiled for your benefit. You can be assured your Mi-T-M Cold Water Pressure Washer was constructed and designed with quality and performance in mind using over 25 years experience in the pressure washer business. Each component has been rigorously tested to insure the highest level of acceptance.

The contents of this Parts Listing are based on the latest product information available at the time of publication. Mi-T-M reserves the right to make changes in price, color, materials, equipment, specifications or models at any time without notice.

### **WARNING**

THIS IS A PROFESSIONAL HIGH PRESSURE, COLD WATER PRESSURE WASHER. CAUTION SHOULD BE OBSERVED WHEN USING OR REPAIRING THIS UNIT! READ AND FOLLOW THE SAFETY WARNINGS LISTED BELOW BEFORE ATTEMPTING ANY REPAIRS ON THIS PRESSURE WASHER!

### **SAFETY WARNINGS**

1. NEVER alter or modify the equipment. Be sure any accessory items and system components being used will withstand the pressure developed. Use only genuine Mi-T-M parts for repair of your pressure washer. Failure to do so can cause hazardous operating conditions and will VOID warranty.
2. NEVER make adjustments on machinery while the unit is connected to the power source. Turning over the machinery by hand during adjustment or cleaning might start the machinery, causing serious injury to the operator.
3. Know how to stop and bleed pressures quickly. Be thoroughly familiar with controls.
4. Before servicing the unit, turn unit off, relieve the water pressure and allow the unit to cool down. Do not make repairs while the unit is running. Service in a clean, dry, flat area.
5. After testing the machine, DO NOT leave the pressurized unit unattended. Shut off the unit and release trapped pressure before leaving.

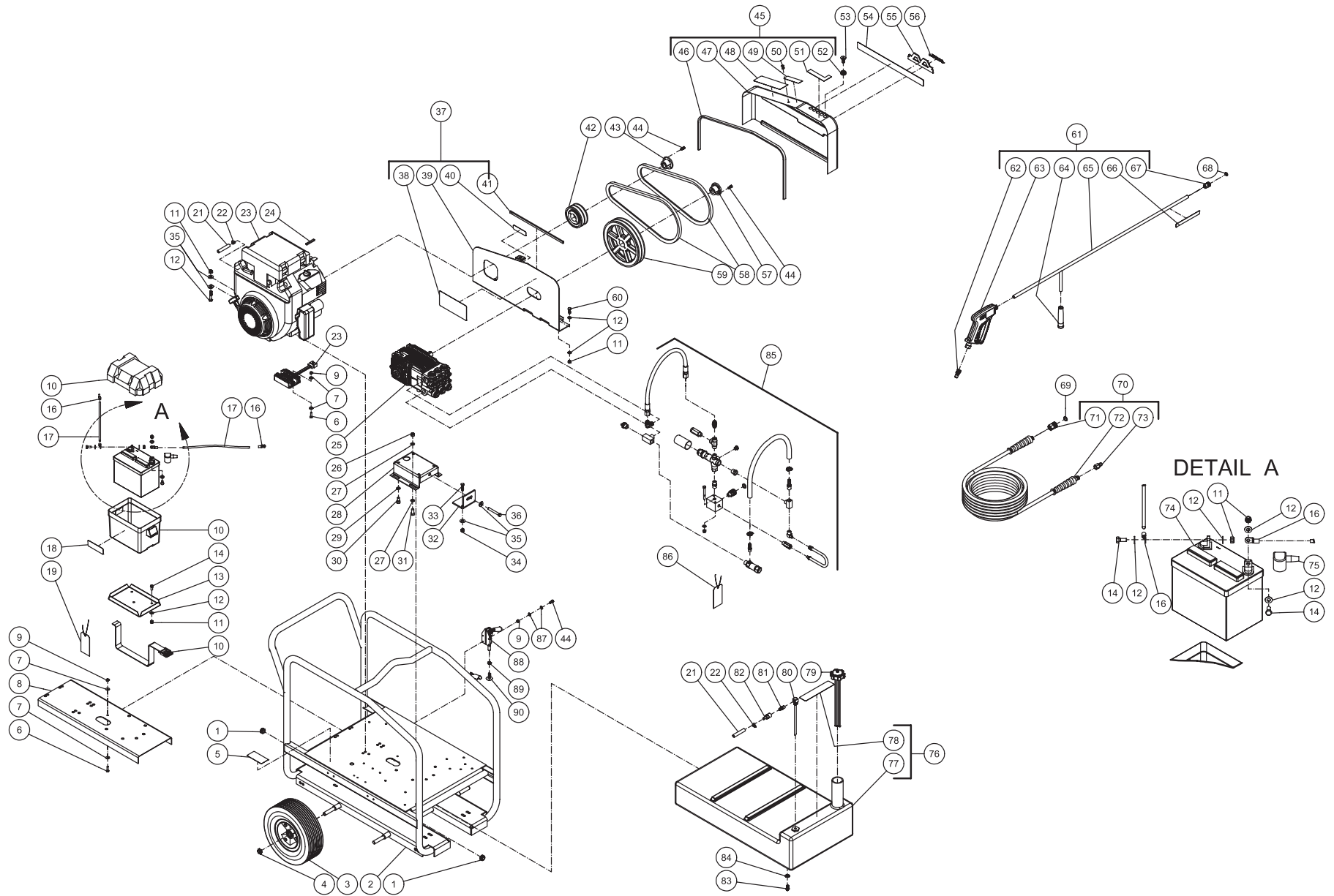
### **Table of Contents**

<b>SPECIFICATIONS</b> .....	<b>3</b>
<b>FRAME ASSEMBLY FOR CWC-4005-1MGH (AFTER SERIAL #10230792)</b> .....	<b>4</b>
<b>FRAME ASSEMBLY FOR CWC-5004-1MGH (AFTER SERIAL #10230792)</b> .....	<b>6</b>
<b>PLUMBING ASSEMBLY</b> .....	<b>8</b>
<b>PUMP ASSEMBLY (3-0212)</b> .....	<b>10</b>
<b>PUMP ASSEMBLY (3-0213) (AFTER SERIAL #10182543)</b> .....	<b>12</b>
<b>UNLOADER ASSEMBLY (8-0522)</b> .....	<b>14</b>
<b>GUN ASSEMBLY (16-0343)</b> .....	<b>16</b>
<b>HONDA ENGINE ASSEMBLY (851-0307)</b> .....	<b>18</b>

## SPECIFICATIONS

MODEL NUMBER	CWC-4005-1MGH	CWC-5004-1MGH
<b>Operating Pressure (PSI/Bar):</b>	4000/276	5000/344.7
<b>High Pressure Nozzle:</b>	5.0	3.5
<b>Water Volume (GPM/lpm):</b>	5.0/18.9	4.0/15.1
<b>Engine:</b>	Honda	
Horsepower	20.0	
Engine Type	4 Stroke, Overhead Valve, Single Cylinder	
Oil Type	SAE 10W-30	
Oil Capacity (oz./liter)	54/1.6	
Low Oil Protection	Oil Alert™	
Fuel Type	Unleaded Gasoline 86 Octane Minimum	
Fuel Capacity (gal./liter)	11.5/43.5	
Starting	Electric	
Maximum No Load RPM	3600 (+/- 100) RPM	
Thermal Relief Valve	Relieves heated water during unloader bypass stage	
<b>Pump:</b>	Belt Driven, Oil Bath, Triplex Piston	
Oil Type	Mi-T-M Pump Oil #AW-4085-0016	
Oil Capacity (oz./liters)	40.6/1.2	
Plungers	Ceramic	
Manifold	Forged Brass	
Valves	Stainless Steel	
Unloader	Preset	
<b>Unit Net Weight (lbs/Kg)</b>	378/171.5	
<b>Unit Shipping Weight (lbs/Kg)</b>	501/227	
<b>Unit Net Dimension (in/cm)</b>	43Lx23.75Wx36H/109Lx70.5Wx91.5H	
<b>Unit Shipping Dimension (in/cm)</b>	46.5Lx31.5Wx48.5H/118Lx80Wx123H	

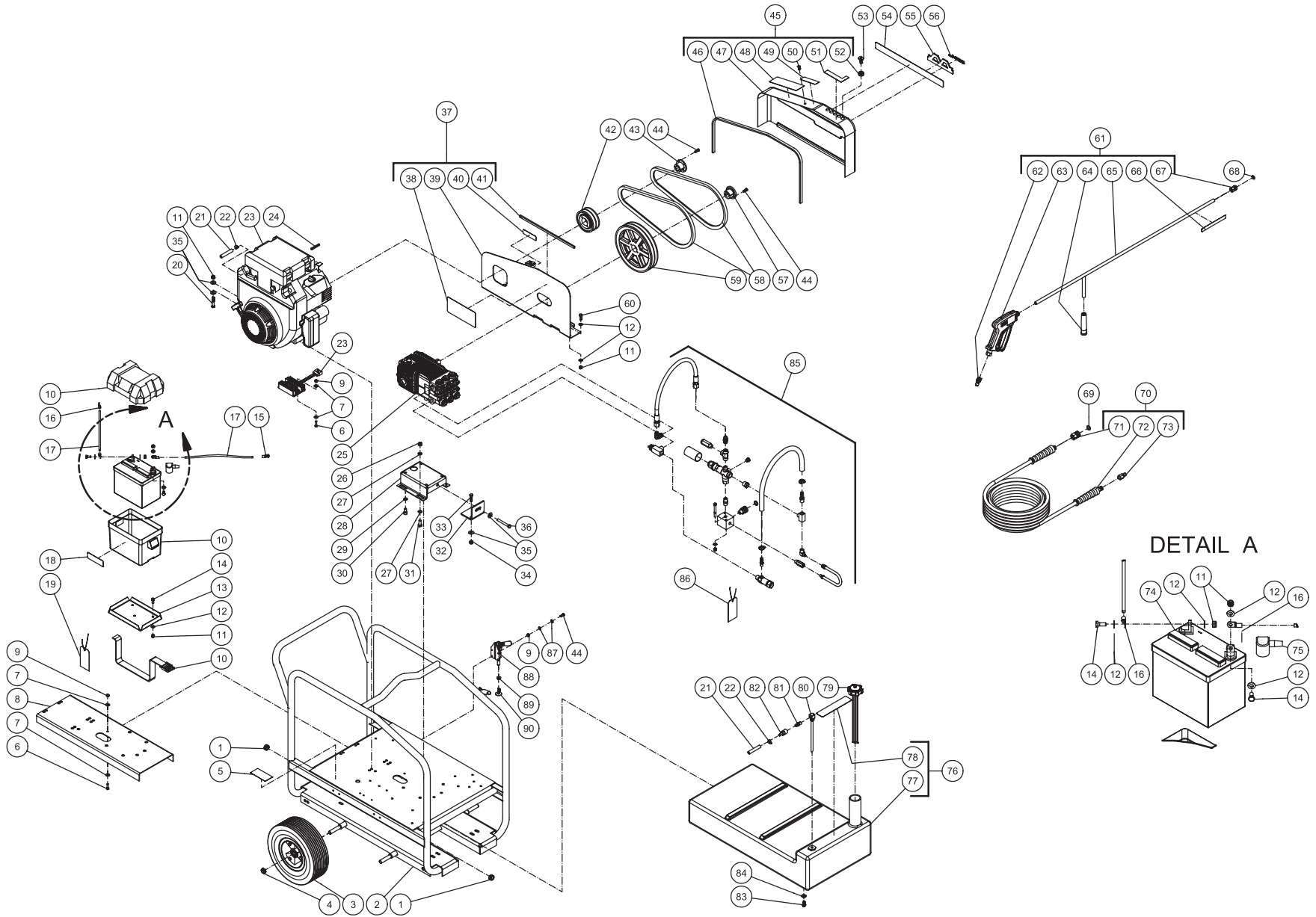
# FRAME ASSEMBLY FOR CWC-4005-1MGH (AFTER SERIAL #10230792)



CWC-4005-1MGH-101906-RSW

FRAME ASSEMBLY FOR CWC-4005-1MGH (AFTER SERIAL #10230792)											
REF. #	DESCRIPTION	PART #	QTY.	REF. #	DESCRIPTION	PART #	QTY.	REF. #	DESCRIPTION	PART #	QTY.
1	Grommet	33-0002	2	32	Brace Tightener	13-0003A01	1	61	Gun Assembly (Inc. 62-67)	851-0309	1
2	Frame Assembly	5-0136A42	1	33	Bolt	27-0118	2	62	Quick Connect Plug	17-0005	1
3	Wheel	14-0092	4	34	Locknut	30-0159	6	63	Gun	16-0343	1
4	Jamnut	30-0117	4	35	Washer	28-0023	11	64	Grip Handle	7-0002	1
5	Decal- Data Plate	N/A	1	36	Bolt	27-0576	1	65	Lance	16-0342A01	1
6	Bolt	27-0016	3	37	Beltguard Back Assembly (Inc. 38-41)	851-0310	1	66	Decal- Warning: Risk of Injection (See 34-9017)	N/A Sep.	1
7	Washer	28-0021	6	38	Decal- Warning/Caution (See 34-9017)	N/A Sep.	1	67	Quick Connect Socket	17-0036	1
8	Support Bracket	13-0120A01	1	39	Beltguard Back (See 851-0310)	N/A Sep.	1	68	O-ring	25-0122	1
9	Nut	30-0155	5	40	Decal- Warning: Beltguard (See 34-9017)	N/A Sep.	1	69	O-ring	25-0123	1
10	Battery Box	33-0092	1	41	Edging *(Two Feet Required)	33-0020	1	70	High Pressure Hose Assembly (Inc. 71-73)	851-0006	1
11	Nut	30-0157	8	42	Sheave	10-0125	1	71	Quick Connect Plug	17-0004	1
12	Washer	28-0003	14	43	Bushing	9-0005	1	72	Pressure Hose	15-0004	1
13	Battery Retainer	20-0264A01	1	44	Bolt	27-0015	6	73	Quick Connect Plug	17-0006	1
14	Bolt	27-0066	4	45	Beltguard Cover Assembly (Inc. 46-52)	851-0348	1	74	Battery	32-0058	1
15	Terminal Ring	32-0744	1	46	Edging *(Four Feet Required)	33-0020	1	75	Battery Cable Cover	33-0004	1
16	Terminal Ring	32-0097	3	47	Beltguard Cover (See 851-0348)	N/A Sep.	1	76	Fuel Tank Assembly (Inc. 77-78)	851-0319	1
17	Battery Cable *(Two Feet Required) = Neg. 16"	32-0065	1	48	Decal- Operating Instructions (See 34-9017)	N/A Sep.	1	77	Fuel Tank (See 851-0319)	N/A Sep.	1
-	Battery Cable *(Two Feet Required) = Pos. 22"	32-0065	1	49	Decal- Warning: Muffler Hot (See 34-9017)	N/A Sep.	1	78	Decal- Caution: Gas Only (See 34-9017)	N/A Sep.	1
18	Decal- Caution: Risk of Injury (See 34-9017)	N/A Sep.	1	50	Fastener	33-0197	1	79	Fuel Cap w/Guage	12-0061	1
19	Tag- Battery	34-0096	1	51	Decal-Die Cut Nozzles	34-0500	1	80	Fuel Pick-up	33-0271	1
20	Bolt	27-0121	4	52	Grommet	33-0001	5	81	Quick Connect Plug	17-0038	1
21	Fuel Line *(Four Feet Required)	15-0008	1	53	Spray Nozzle-0005	18-0003	1	82	Quick Connect Socket	17-0018	1
22	Hose Clamp	42-0004	2	-	Spray Nozzle-1505	18-0004	1	83	Bolt	27-9524	4
23	Motor Assembly	851-0307	1	-	Spray Nozzle-2505	18-0153	1	84	Washer	28-0022	4
24	Key	43-0078	1	-	Spray Nozzle-4005	18-0180	1	85	Plumbing Assembly (See Exploded Drawing)	N/A Sep.	1
25	Pump	3-0212	1	54	Decal- Mi-T-M Stripe Large	34-0501	1	86	Tag- Water Inlet Supply	34-0097	1
26	Locknut	30-0161	4	55	Mi-TM Logo	62-0086	1	87	Washer	28-0002	4
27	Washer	28-0030	8	56	Decal- White Die Cut 4005	34-0833	1	88	Push/Pull Action Toggle Clamp	33-0400	1
28	Pump Bracket	5-0101A01	1	57	Bushing	9-0017	1	89	Hex Nut	30-0004	1
29	Washer	29-0055	4	58	Belt	11-0054	2	90	Bolt	27-9550	1
30	Bolt	27-8471	4	59	Sheave	10-0037	1		Safety Decal Kit (Inc. 18, 38, 40, 48-49, 66, 78)	34-9017	
31	Bolt	27-0167	4	60	Bolt	27-0067	4		*Must Order in One Foot Lengths		

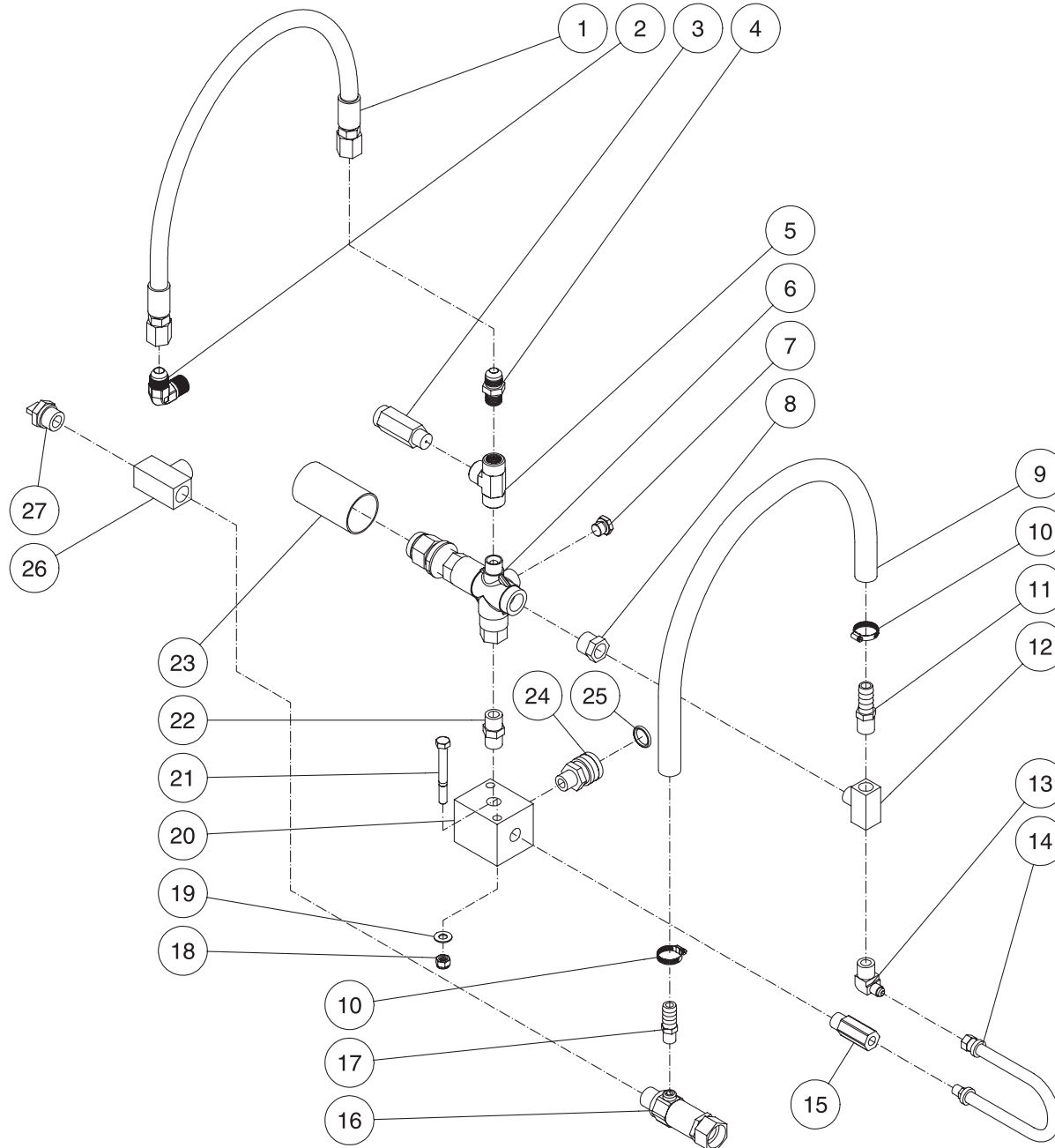
# FRAME ASSEMBLY FOR CWC-5004-1MGH (AFTER SERIAL #10230792)



CWC-5004-1MGH-050906-IJT

FRAME ASSEMBLY FOR CWC-5004-1MGH (AFTER SERIAL #10230792)											
REF. #	DESCRIPTION	PART #	QTY.	REF. #	DESCRIPTION	PART #	QTY.	REF. #	DESCRIPTION	PART #	QTY.
1	Grommet	33-0002	2	32	Brace Tightener	13-0003A01	1	61	Gun Assembly (Inc. 62-67)	851-0309	1
2	Frame Assembly	5-0136A42	1	33	Bolt	27-0118	2	62	Quick Connect Plug	17-0005	1
3	Wheel	14-0092	4	34	Locknut	30-0159	6	63	Gun	16-0343	1
4	Jamnut	30-0117	4	35	Washer	28-0023	11	64	Grip Handle	7-0002	1
5	Decal- Data Plate	N/A	1	36	Bolt	27-0576	1	65	Lance	16-0342A01	1
6	Bolt	27-0016	3	37	Beltguard Back Assembly (Inc. 38-41)	851-0310	1	66	Decal- Warning: Risk of Injection (See 34-9017)	N/A Sep.	1
7	Washer	28-0021	6	38	Decal- Warning/Caution (See 34-9017)	N/A Sep.	1	67	Quick Connect Socket	17-0036	1
8	Support Bracket	13-0120A01	1	39	Beltguard Back (See 851-0310)	N/A Sep.	1	68	O-ring	25-0122	1
9	Nut	30-0155	5	40	Decal- Warning: Beltguard (See 34-9017)	N/A Sep.	1	69	O-ring	25-0123	1
10	Battery Box	33-0092	1	41	Edging *(Two Feet Required)	33-0020	1	70	High Pressure Hose Assembly (Inc. 71-73)	851-0317	1
11	Nut	30-0157	8	42	Sheave	10-0118	1	71	Quick Connect Plug	17-0041	1
12	Washer	28-0003	14	43	Bushing	9-0005	1	72	Pressure Hose	15-0178	1
13	Battery Retainer	20-0264A01	1	44	Bolt	27-0015	6	73	Quick Connect Plug	17-0006	1
14	Bolt	27-0066	4	45	Beltguard Cover Assembly (Inc. 46-52)	851-0348	1	74	Battery	32-0058	1
15	Terminal Ring	32-0744	1	46	Edging *(Four Feet Required)	33-0020	1	75	Battery Cable Cover	33-0004	1
16	Terminal Ring	32-0097	3	47	Beltguard Cover (See 851-0348)	N/A Sep.	1	76	Fuel Tank Assembly (Inc. 77-78)	851-0319	1
17	Battery Cable *(Two Feet Required) = Neg. 16"	32-0065	1	48	Decal- Operating Instructions (See 34-9017)	N/A Sep.	1	77	Fuel Tank (See 851-0319)	N/A Sep.	1
-	Battery Cable *(Two Feet Required) = Pos. 22"	32-0065	1	49	Decal- Warning: Muffler Hot (See 34-9017)	N/A Sep.	1	78	Decal- Caution: Gas Only (See 34-9017)	N/A Sep.	1
18	Decal- Caution: Risk of Injury (See 34-9017)	N/A Sep.	1	50	Fastener	33-0197	1	79	Fuel Cap w/Guage	12-0061	1
19	Tag- Battery	34-0096	1	51	Decal-Die Cut Nozzles	34-0500	1	80	Fuel Pick-up	33-0271	1
20	Bolt	27-0121	4	52	Grommet	33-0001	5	81	Quick Connect Plug	17-0038	1
21	Fuel Line *(Four Feet Required)	15-0008	1	53	Spray Nozzle-0003.5	18-0257	1	82	Quick Connect Socket	17-0018	1
22	Hose Clamp	42-0004	2	-	Spray Nozzle-1503.5	18-0258	1	83	Bolt	27-9524	4
23	Motor Assembly	851-0307	1	-	Spray Nozzle-2503.5	18-0259	1	84	Washer	28-0022	4
24	Key	43-0078	1	-	Spray Nozzle-4003.5	18-0260	1	85	Plumbing Assembly (See Exploded Drawing)	N/A Sep.	1
25	Pump	3-0213	1	54	Decal- Mi-T-M Stripe Large	34-0501	1	86	Tag- Water Inlet Supply	34-0097	1
26	Locknut	30-0161	4	55	Mi-TM Logo	62-0086	1	87	Washer	28-0002	4
27	Washer	28-0030	8	56	Decal- White Die Cut 5004	34-0834	1	88	Push/Pull Action Toggle Clamp	33-0400	1
28	Pump Bracket	5-0101A01	1	57	Bushing	9-0017	1	89	Hex Nut	30-0004	1
29	Washer	29-0055	4	58	Belt	11-0055	2	90	Bolt	27-9550	1
30	Bolt	27-8471	4	59	Sheave	10-0037	1		Safety Decal Kit (Inc. 18, 38, 40, 48-49, 66, 78)	34-9017	
31	Bolt	27-0167	4	60	Bolt	27-0067	4		*Must Order in One Foot Lengths		

# PLUMBING ASSEMBLY



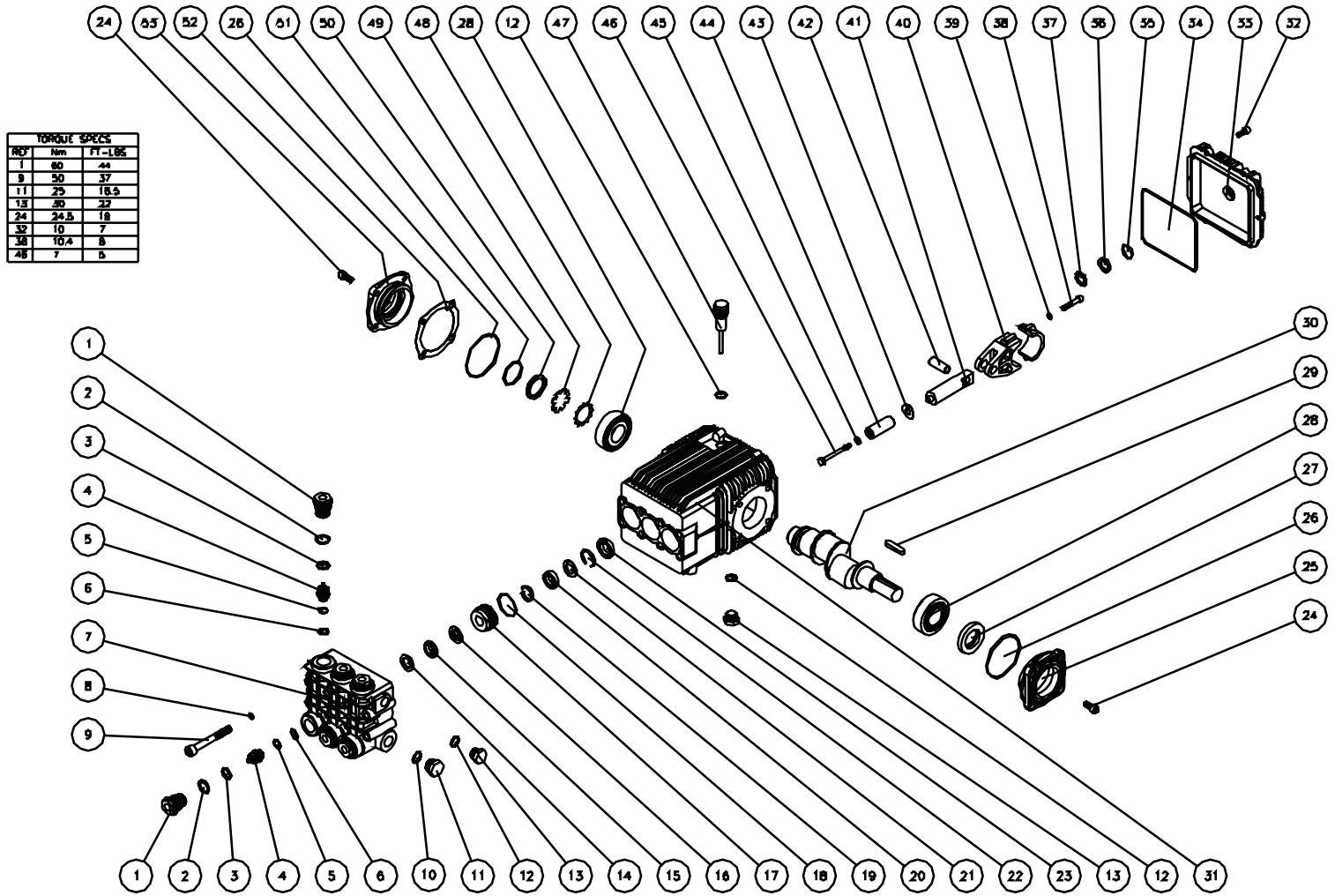
851-0358-060205-DLG



**PLUMBING ASSEMBLY**

REF. #	DESCRIPTION	PART #	QTY.	REF. #	DESCRIPTION	PART #	QTY.
1	Hose	15-0177	1	15	Easy Start Valve	22-0242	1
2	Elbow	24-0092	1	16	Filter	19-0207	1
3	Safety Valve	22-0319	1	17	Hose Barb	23-0120	1
4	Nipple	24-0002	1	18	Locknut	30-0157	2
5	Tee	24-0026	1	19	Washer	28-0003	2
6	Unloader	8-0522	1	20	Manifold Block	51-0020	1
7	Plug	39-0017	1	21	Bolt	27-0074	2
8	Bushing	23-0016	1	22	Nipple	24-0010	1
9	Hose *(Three Feet Required)	15-0007	1	23	Heat Shrink Tubing *(One Foot Required)	33-0272	1
10	Hose Clamp	42-0011	2	24	Quick Connect	17-0042	1
11	Hose Barb	23-0105	1	25	O-ring	25-0123	1
12	Tee	23-0117	1	26	Tee	23-0235	1
13	Elbow	23-0324	1	27	Thermal Relief Valve	22-0005	1
14	Hose	15-0140	1	*Must Order in One Foot Lengths			

# PUMP ASSEMBLY (3-0212)



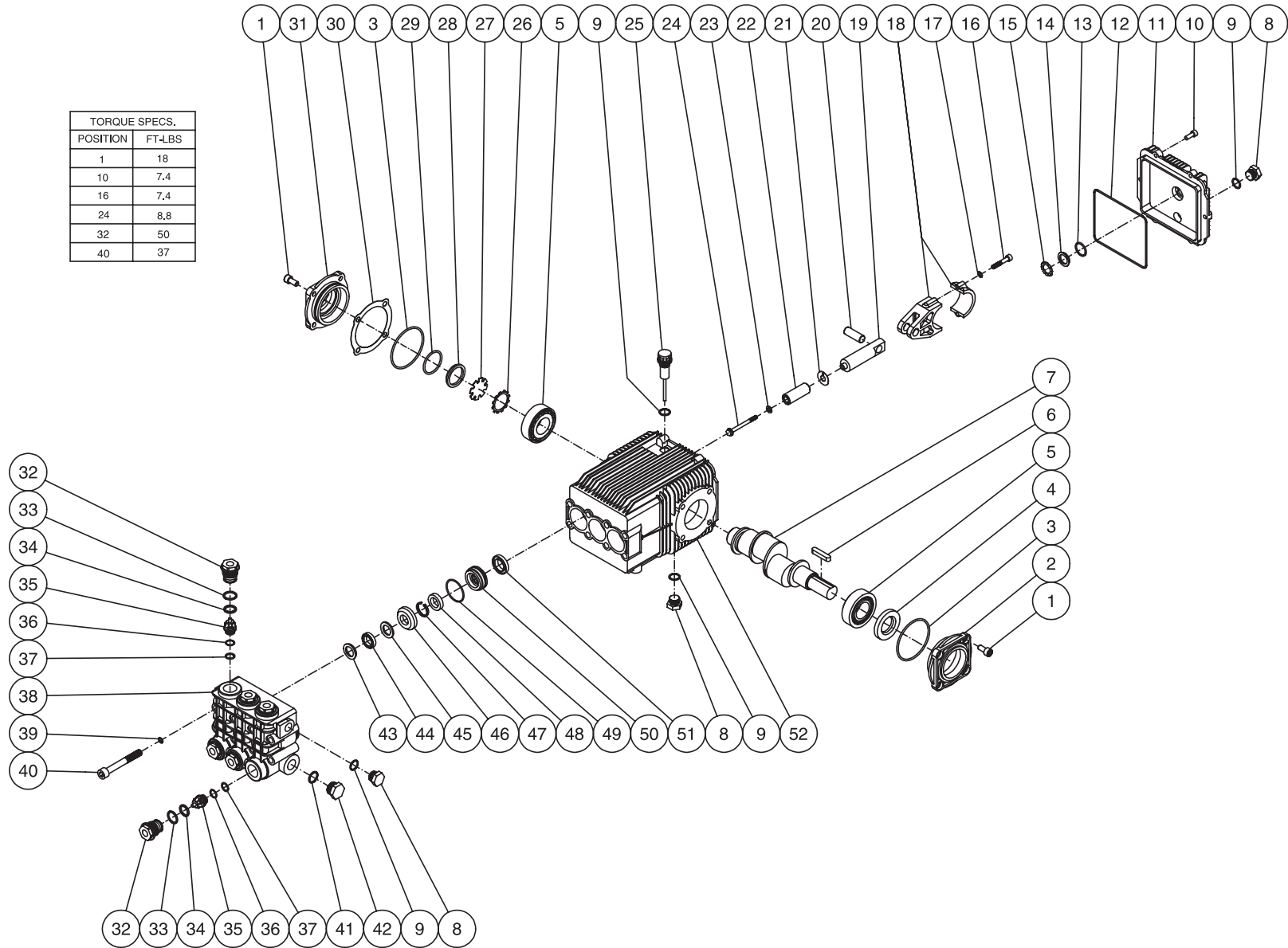
3-0212 & 3-0213-060502-EDW

## PUMP ASSEMBLY (3-0212)

REF. #	DESCRIPTION	PART #	QTY.	REF. #	DESCRIPTION	PART #	QTY.	REF. #	DESCRIPTION	PART #	QTY.
1	Valve Cap	39-0201	6	20	Low Pressure Seal (See 70-0317)	N/A Sep.	3	39	Lockwasher	N/A	6
2	Back-Up Ring	25-0509	6	21	Spacer	46-0907	3	40	Connecting Rod	46-0913	3
3	O-Ring	25-0386	6	22	Snap-Ring	46-0908	3	41	Plunger Rod	46-0915	3
4	Valve w/O-ring (See 70-0314)	N/A Sep.	6	23	Oil Seal	26-0242	3	42	Connecting Rod Pin	46-0914	3
5	Back-Up Ring	25-0516	6	24	Screw	27-8884	8	43	Slinger Washer	46-0916	3
6	O-ring	25-0515	6	25	Shaft Cover	N/A	1	44	Piston	46-0917	3
7	Manifold Pump	46-0900	1	26	O-ring	25-0512	2	45	Washer	28-1041	3
8	Lockwasher	29-0155	8	27	Oil Seal	26-0243	1	46	Screw	27-8965	3
9	Screw	27-8470	8	28	Bearing	48-0073	2	47	Oil Dipstick	39-0204	1
10	O-ring	25-0372	1	29	Key	43-0091	1	48	Spring Retainer	46-0924	1
11	Plug	39-0202	1	30	Crankshaft	N/A	1	49	Reflector Pump	46-0925	1
12	O-ring	25-0510	3	31	Crankcase	46-0911	1	50	Oil Sight	46-0926	1
13	Plug	39-0203	2	32	Screw	27-8888	6	51	O-ring	25-0514	1
14	Support Ring (See 70-0317)	N/A Sep.	3	33	Crankcase Cover (Inc. 35-37)	46-0912	1	52	Shim	46-0947	1
15	High Pressure Seal (See 70-0317)	N/A Sep.	3	34	O-ring	25-0513	1	53	Support Bearing Cover (Inc. 48-51)	46-0918	1
16	Low Pressure Seal (See 70-0317)	N/A Sep.	3	35	O-ring	25-0370	1		Valve Kit (Inc. 6 each 4-6)	70-0314	1
17	Piston Guide	46-0904	3	36	Oil Sight Glass	46-0670	1		Water Seals Kit (Inc. 3 each 14-16, 18-20)	70-0317	1
18	O-ring (See 70-0317)	N/A Sep.	3	37	Spring Retainer	46-0671	1				
19	Back-Up Ring (See 70-0317)	N/A Sep.	3	38	Screw	N/A	6				

# PUMP ASSEMBLY (3-0213) (AFTER SERIAL #10182543)

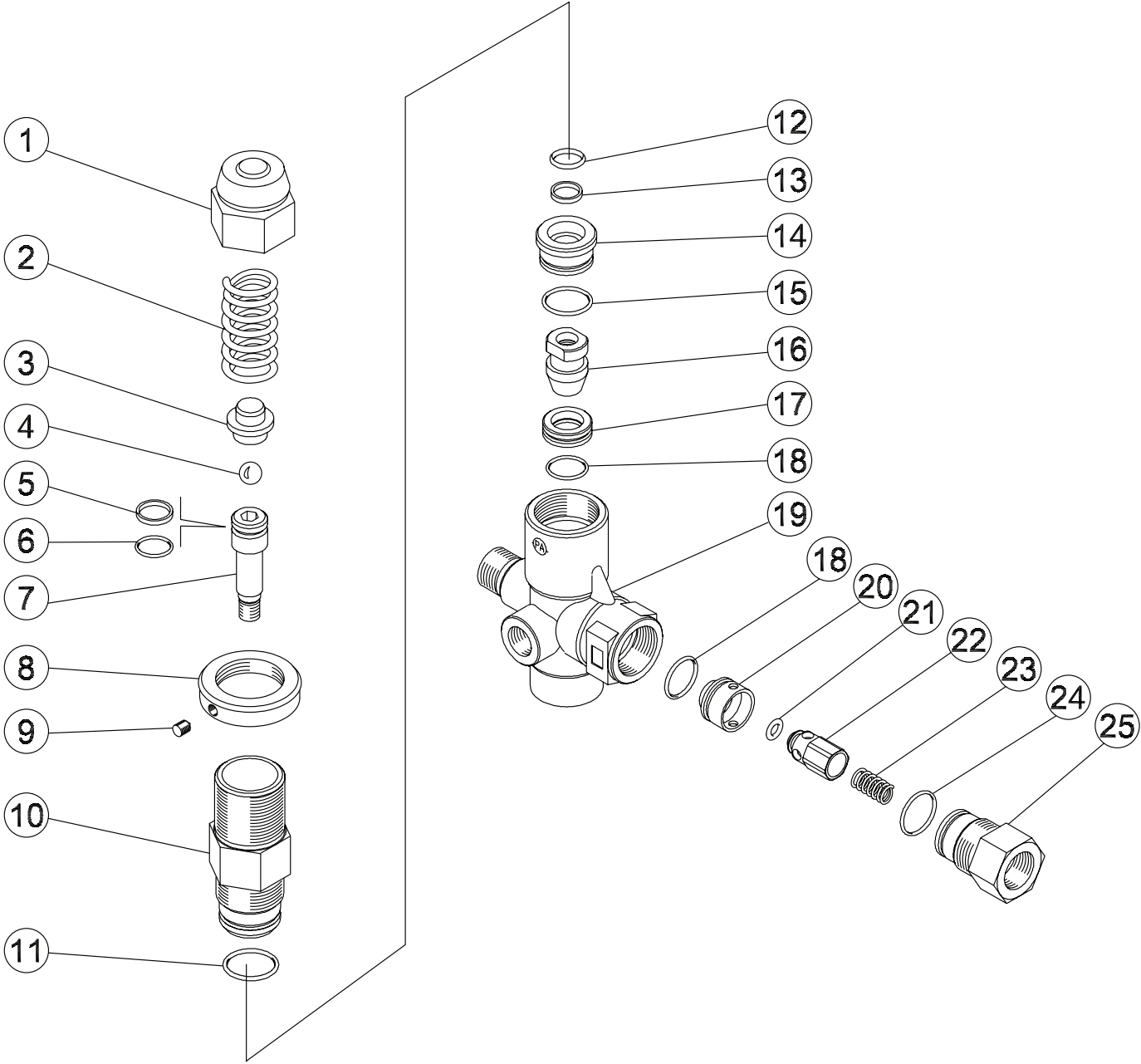
TORQUE SPECS.	
POSITION	FT-LBS
1	18
10	7.4
16	7.4
24	8.8
32	50
40	37



3-0213-040105-JJF

PUMP ASSEMBLY (3-0213) (AFTER SERIAL #10182543)											
REF. #	DESCRIPTION	PART #	QTY.	REF. #	DESCRIPTION	PART #	QTY.	REF. #	DESCRIPTION	PART #	QTY.
1	Screw	27-8884	8	20	Connecting Rod Pin	46-0914	3	36	Backup Ring	25-0516	6
2	Shaft Cover	46-0909	1	21	Washer	46-0916	3	37	O-ring	25-0407	6
3	O-ring	25-0512	2	22	Piston	46-0917	3	38	Pump Manifold	46-0900	1
4	Oil Seal	26-0243	1	23	Washer	29-0014	3	39	Lockwasher	29-0153	8
5	Bearing	48-0073	2	24	Screw	27-8965	3	40	Screw	27-8470	8
6	Key w/Pump	43-0091	1	25	Oil Dipstick	39-0204	1	41	O-ring	25-0372	1
7	Crankshaft	N/A	1	26	Oil Sight Glass Spring Retainer	46-0924	1	42	Plug	39-0202	1
8	Plug	39-0203	3	27	Oil Reflector	46-0925	1	43	Support Ring (See 70-0317)	N/A Sep.	3
9	O-ring	25-0510	4	28	Oil Sight Glass	46-0926	1	44	High Pressure Seal (See 70-0317)	N/A Sep.	3
10	Screw	27-8888	6	29	O-ring	25-0514	1	45	Backup Ring (See 70-0317)	N/A Sep.	3
11	Crankcase Cover (Inc. 8, 9, 13-15)	46-0912	1	30	Shim- .05 mm	46-0947	-	46	Guide Front	46-1001	3
12	O-ring	25-0513	1	-	Shim- .10 mm	46-0948	-	47	Backup Ring (See 70-0317)	N/A Sep.	3
13	O-ring	25-0370	1	-	Shim- .19 mm	46-0949	-	48	Low Pressure Seal (See 70-0317)	N/A Sep.	3
14	Oil Sight Glass	46-0670	1	-	Shim- .25 mm	46-0950	-	49	O-ring (See 70-0317)	N/A Sep.	3
15	Oil Sight Glass Spring Retainer	46-0671	1	31	Bearing Cover	46-0918	1	50	Guide Rear	46-1200	3
16	Screw	N/A	6	32	Valve Cap	39-0201	6	51	Oil Seal	26-0242	3
17	Lockwasher	N/A	6	33	Back-up Ring	25-0509	6	52	Crankcase	46-0911	1
18	Connecting Rod (Inc. 16-17)	46-0913	3	34	O-ring	25-0386	6		Valve Kit (Inc. 6 each 35-37)	70-0314	1
19	Plunger Rod	46-0915	3	35	Backup Ring Valve (See 70-0314)	N/A Sep.	6		Water Seals Kit (Inc. 3 each 43-45, 47-49)	70-0317	1

UNLOADER ASSEMBLY (8-0522)

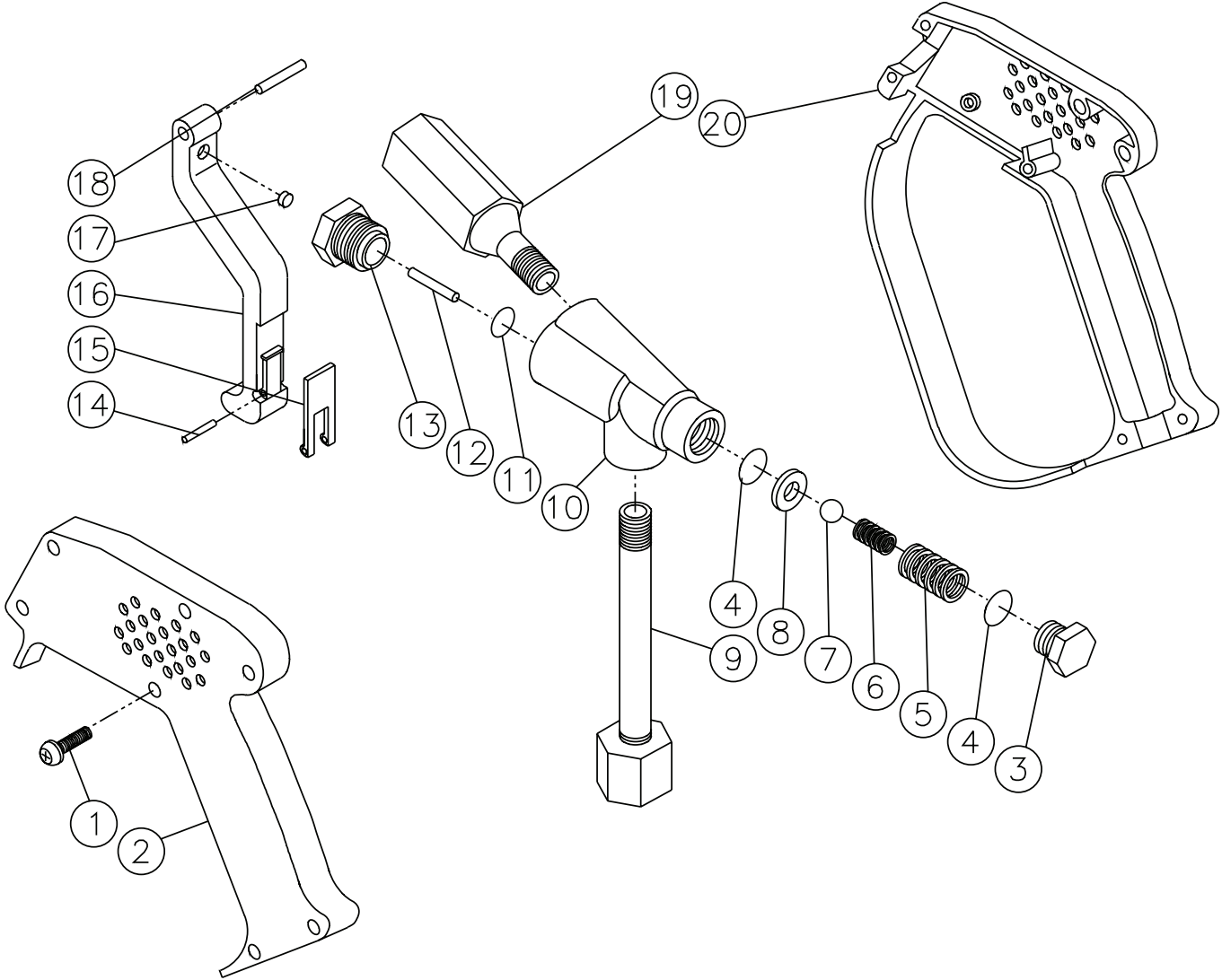


8-0522-120501-RD

## UNLOADER ASSEMBLY (8-0522)

REF. #	DESCRIPTION	PART #	QTY.	REF. #	DESCRIPTION	PART #	QTY.
1	Brass Cap	8-0534	1	15	O-ring	25-0368	1
2	Spring	49-0149	1	16	Shutter	8-0540	1
3	Spring Guide	8-0535	1	17	Seat	8-0541	1
4	Ball	8-0318	1	18	O-ring	25-0220	2
5	Back-up Ring (See 70-0342)	N/A Sep.	1	19	Valve Body	8-0542	1
6	O-ring (See 70-0342)	N/A Sep.	1	20	Check Valve Seat	8-0543	1
7	Piston	8-0536	1	21	O-ring	25-0369	1
8	Lock Ring	8-0537	1	22	Check Valve	8-0486	1
9	Set Screw	8-0408	1	23	Spring	49-0150	1
10	Piston Housing	8-0538	1	24	O-ring	25-0325	1
11	O-ring	25-0189	1	25	Nipple	8-0485	1
12	Back-up Ring (See 70-0343)	N/A Sep.	1		Upper Seal Kit (Inc. 5, 6)	70-0342	1
13	O-ring (See 70-0343)	N/A Sep.	1		Lower Seal Kit (Inc. 12, 13)	70-0343	1
14	Spacer	8-0539	1				

GUN ASSEMBLY (16-0343)



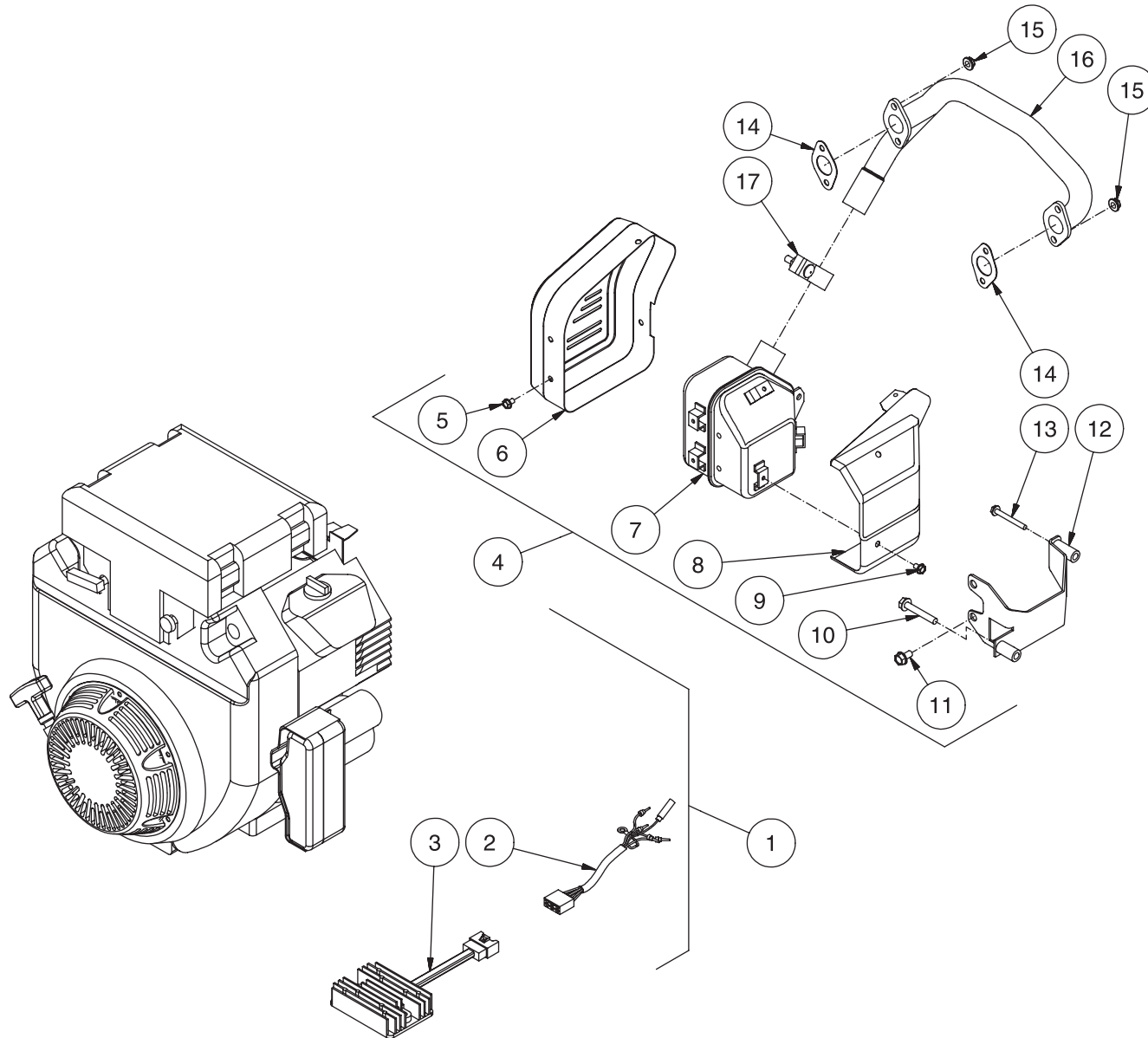
16-0343-042800-RD



## GUN ASSEMBLY (16-0343)

REF. #	DESCRIPTION	PART #	QTY.	REF. #	DESCRIPTION	PART #	QTY.
1	Screw	27-8851	7	12	Control Pin (See 70-0213)	N/A Sep.	1
2	Housing- Left Side	16-0344	1	13	Guide Sleeve	16-0048	1
3	Cap	23-0336	1	14	Lock Pin	43-0025	1
4	O-ring (See 70-0213)	N/A Sep.	2	15	Safety Lock	16-0347	1
5	Spring (See 70-0213)	N/A Sep.	1	16	Trigger	16-0348	1
6	Valve Spring (See 70-0213)	N/A Sep.	1	17	Cam Trigger (See 70-0213)	N/A Sep.	1
7	Valve Ball (See 70-0213)	N/A Sep.	1	18	Pin	43-0024	1
8	Valve Seat (See 70-0213)	N/A Sep.	1	19	Discharge Tube Assembly	16-0349	1
9	Inlet Tube Assembly	16-0345	1	20	Housing- Right Side	16-0350	1
10	Valve Body	16-0346	1		Repair Kit (Inc. 4-8, 11, 12, 17)	70-0213	
11	O-ring (See 70-0213)	N/A Sep.	1				

# HONDA ENGINE ASSEMBLY (851-0307)



851-0307-080505-JJT

<b>HONDA ENGINE ASSEMBLY (851-0307)</b>			
<b>REF. #</b>	<b>DESCRIPTION</b>	<b>PART #</b>	<b>QTY.</b>
1	Engine-20 HP (Inc. 2, 3, 14, 15)	1-0102	1
2	Wire Harness (See 1-0102)	N/A Sep.	1
3	Voltage Rectifier Assembly (See 1-0102)	N/A Sep.	1
4	Muffler Assembly (Inc. 5-13, 16, 17)	45-0078	1
5	Screw (See 45-0078)	N/A Sep.	4
6	Outer Muffler Protector (See 45-0078)	N/A Sep.	1
7	Side Mount Muffler (See 45-0078)	N/A Sep.	1
8	Inner Muffler Protector (See 45-0078)	N/A Sep.	1
9	Flange Bolt (See 45-0078)	N/A Sep.	3
10	Flange Bolt (See 45-0078)	N/A Sep.	1
11	Flange Bolt (See 45-0078)	N/A Sep.	2
12	Muffler Stay (See 45-0078)	N/A Sep.	1
13	Flange Bolt (See 45-0078)	N/A Sep.	1
14	Exhaust Gasket (See 1-0102)	N/A Sep.	2
15	Flange Nut (See 1-0102)	N/A Sep.	4
16	Exhaust Pipe - Oil Filter Side (See 45-0078)	N/A Sep.	1
17	Exhaust Pipe Band (See 45-0078)	N/A Sep.	1

Manufactured by Mi-T-M  
8650 Enterprise Drive, Peosta IA 52068  
563-556-7484/ Fax 563-556-1235