

# Mi-T-M<sup>®</sup> CORPORATION

8650 Enterprise Drive, Peosta IA 52068  
563-556-7484 / Fax 563-556-1235  
[www.mitm.com](http://www.mitm.com)

## PARTS LIST FOR ***CW-3255-4MV0*** (AFTER SERIAL #10070000 and #10375000)

**Engine Oil Grade:**

**Above 40°F=SAE 30**

**Below 40°F=SAE10W-30**

**Engine Oil Capacity:**

**56 oz.**

**Pump Oil Grade:**

**Mi-T-M Pump Oil #AW-4085-0016**

**Pump Oil Capacity:**

**40.6 oz.**

**Nozzle Size:**

**5.5**

This Parts Listing has been compiled for your benefit. You can be assured your Mi-T-M Cold Water Pressure Washer was constructed and designed with quality and performance in mind using over 25 years experience in the pressure washer business. Each component has been rigorously tested to insure the highest level of acceptance.

The contents of this Parts Listing are based on the latest product information available at the time of publication. Mi-T-M reserves the right to make changes in price, color, materials, equipment, specifications or models at any time without notice.

### **WARNING**

THIS IS A PROFESSIONAL HIGH PRESSURE, COLD WATER PRESSURE WASHER. CAUTION SHOULD BE OBSERVED WHEN USING OR REPAIRING THIS UNIT! READ AND FOLLOW THE SAFETY WARNINGS LISTED BELOW BEFORE ATTEMPTING ANY REPAIRS ON THIS PRESSURE WASHER!

### **SAFETY WARNINGS**

1. NEVER alter or modify the equipment. Be sure any accessory items and system components being used will withstand the pressure developed. Use only genuine Mi-T-M parts for repair of your pressure washer. Failure to do so can cause hazardous operating conditions and will VOID warranty.
2. NEVER make adjustments on machinery while the unit is connected to the engine without first removing the ignition cables from the spark plugs. Turning over the machinery by hand during adjustment or cleaning might start the machinery, causing serious injury to the operator.
3. Know how to stop and bleed pressures quickly. Be thoroughly familiar with controls.
4. Before servicing the unit, turn unit off, relieve the water pressure and allow the unit to cool down. Do not make repairs while the unit is running. Service in a clean, dry, flat area.
5. After testing the machine, DO NOT leave the pressurized unit unattended. Shut off the unit and release trapped pressure before leaving.

### **Table of Contents**

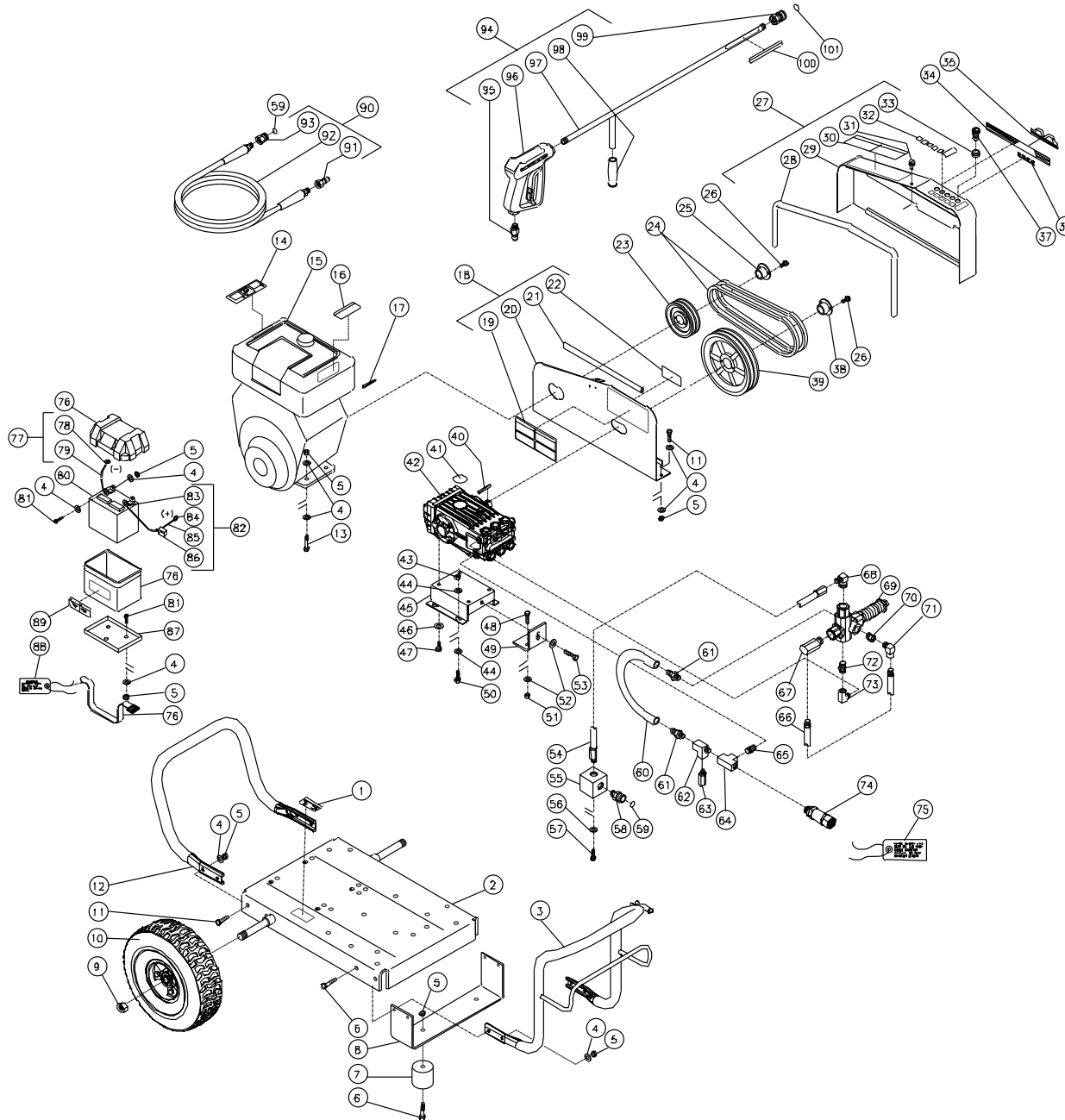
<b>SPECIFICATIONS.....</b>	<b>3</b>
<b>FRAME ASSEMBLY FOR CW-3255-4MV0 .....</b>	<b>4</b>
<b>PUMP ASSEMBLY (3-0202) (AFTER SERIAL #10375000).....</b>	<b>6</b>
<b>UNLOADER ASSEMBLY (8-0270) .....</b>	<b>8</b>
<b>GUN ASSEMBLY (16-0001) .....</b>	<b>10</b>

## SPECIFICATIONS

CW-3255-4MV0

<b>MODEL NUMBER</b>	<b>CW-3255-4MV0</b>
<b>Operating Pressure (PSI/Bar):</b>	3200/220.6
<b>High Pressure Nozzle:</b>	5.5
<b>Water Volume (GPM/lpm):</b>	4.9/18.5
<b>Engine:</b>	Briggs & Stratton
Horsepower	16.0
Engine Type	Four Stroke, Overhead Valve, Twin Cylinder
Oil Type	Above 40°F=SAE 30/Below 40°F=SAE10W-30
Oil Capacity (oz./liter)	56/1.7
Low Oil Protection	Oil Guard™
Fuel Type	Unleaded Gasoline 86 Octane Minimum
Fuel Capacity (Qt./liter)	2.25/8.5
Starting	Recoil Rope/Electric Start
Maximum No Load RPM	3600 (+/- 100)
<b>Pump:</b>	Belt Driven, Oil Bath, Triplex Piston
Oil Type	Mi-T-M Pump Oil #AW-4085-0016
Oil Capacity (oz./liters)	40.6/1.2
Plungers	Ceramic Coated
Manifold	Forged Brass
Valves	Stainless Steel
Unloader	Preset
Heat Dump Valve	Relieves heated water during unloader bypass stage
<b>Unit Net Weight (lbs/Kg)</b>	250/113
<b>Unit Shipping Weight (lbs/Kg)</b>	328/149
<b>Unit Net Dimension (in/cm)</b>	46Lx28Wx30H/117Lx71Wx76H
<b>Unit Shipping Dimension (in/cm)</b>	49Lx30.5Wx35.5H/124Lx77.5Wx90H

# FRAME ASSEMBLY FOR CW-3255-4MV0 (AFTER SERIAL #10070000)

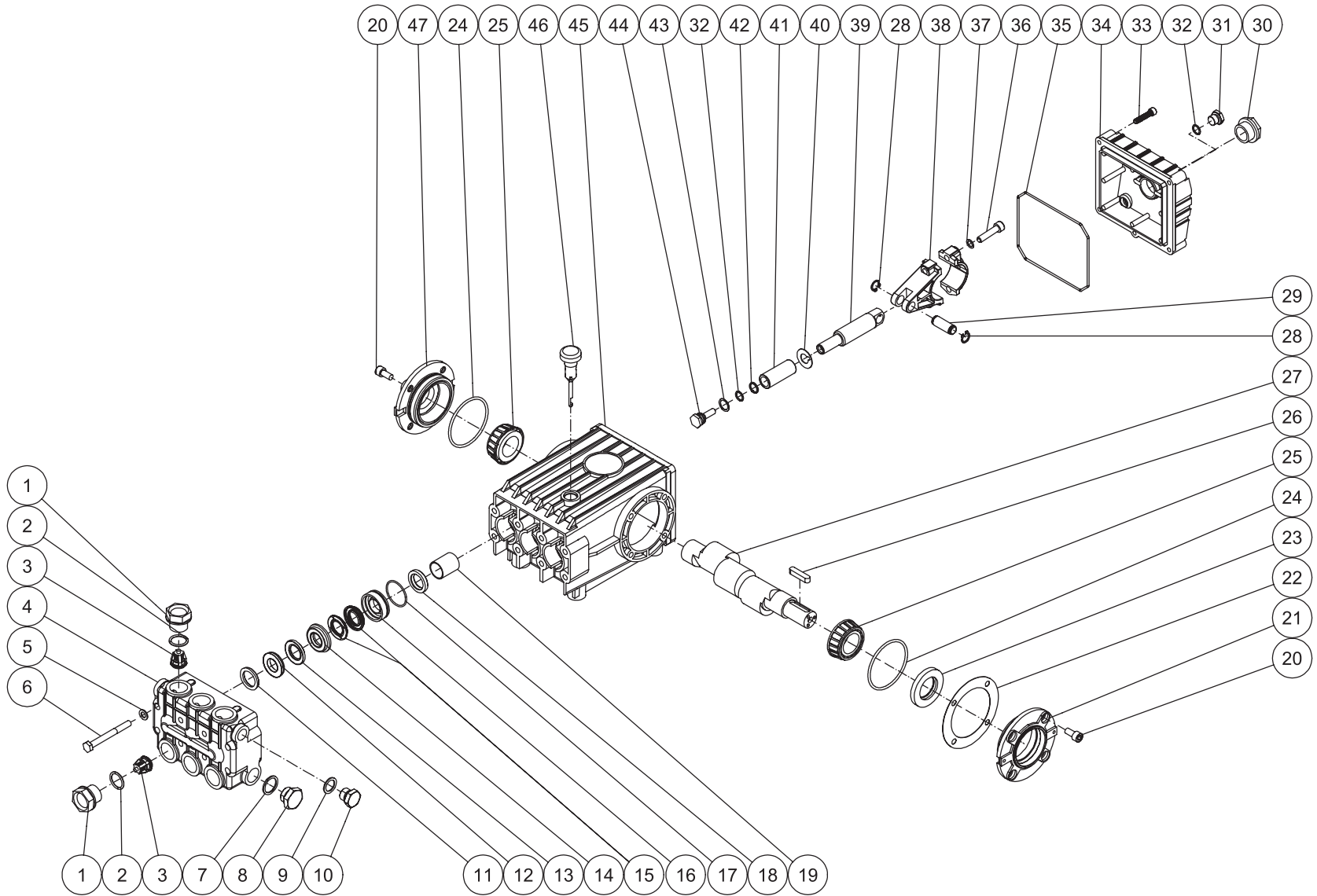


CW-3255-4MV0-041103-RD

FRAME ASSEMBLY FOR CW-3255-4MV0 (AFTER SERIAL #10070000)											
REF. #	DESCRIPTION	PART #	QTY.	REF. #	DESCRIPTION	PART #	QTY.	REF. #	DESCRIPTION	PART #	QTY.
1	Decal- Data Plate	N/A	1	36	Decal- Die Cut 3255	34-0365	1	68	Elbow	24-0074	1
2	Base Plate	5-0078A42	1	37	Spray Nozzle- 0005.5	18-0035	1	69	Unloader	8-0270	1
3	Handle	7-0174A42	1	-	Spray Nozzle- 1505.5	18-0041	1	70	Hex Reducer	23-0056	1
4	Washer	28-0003	31	-	Spray Nozzle- 2505.5	18-0062	1	71	Elbow	23-0237	1
5	Locknut	30-0157	23	-	Spray Nozzle- 4005.5	18-0132	1	72	Hex Nipple	24-0024	1
6	Bolt	27-0068	6	38	Bushing	9-0017	1	73	Elbow	24-0105	1
7	Isolator	14-0008	2	39	Sheave	10-0040	1	74	Filter Assembly	19-0206	1
8	Underbracket	13-0137A42	1	40	Key w/Pump	43-0048	1	75	Tag- Water Supply Inlet	34-0097	1
9	Jamnut	30-0117	2	41	Decal: Pump I.D. Number	N/A	1	76	Battery Box	33-0092	1
10	Wheel	14-0092	2	42	Pump	3-0202	1	77	Battery Cable Assembly (Inc. 78-79)	851-0344	1
11	Bolt	27-0067	8	43	Locknut	30-0161	4	78	Battery Terminal	32-0097	2
12	Handle	7-0176A42	1	44	Washer	28-0030	8	79	Battery Terminal	32-0098	1
13	Bolt	27-0070	4	45	Pump Bracket	5-0101A01	1	80	Battery Cable- Negative *(Two Feet Required)	32-0065	1
14	Decal- Warning: Muffler Hot (See 34-9017)	N/A Sep.	1	46	Washer w/Pump	29-0055	4	81	Battery Cable Cover	33-0004	1
15	Engine- 16 H.P. Vanguard	851-0099	1	47	Bolt w/Pump	27-8471	4	82	Battery Retainer	20-0264A01	1
16	Decal- Caution: Allow to Cool (See 34-9017)	N/A Sep.	1	48	Bolt	27-0118	2	83	Tag- Battery	34-0096	1
17	Key	43-0078	1	49	Brace Tightener	13-0003A01	1	84	Decal- Caution: Disconnect Battery (See 34-9017)	N/A Sep.	1
18	Beltguard Back Assembly (Inc. 19-22)	851-0349	1	50	Bolt	27-0166	4	85	Battery Cable *(Two Feet Required)	32-0065	1
19	Decal- Warning/Caution (See 34-9017)	N/A Sep.	1	51	Locknut	30-0159	2	86	Battery Cable Cover	33-0004	1
20	Beltguard Back (See 851-0349)	N/A Sep.	1	52	Washer	28-0023	3	87	Battery Retainer	20-0264A01	1
21	Edging *(Two Feet Required)	33-0020	1	53	Bolt	27-0576	1	88	Tag- Battery	34-0096	1
22	Decal- Warning: Beltguard Cover (See 34-9017)	N/A Sep.	1	54	Hose	15-0141	1	89	Decal- Caution: Disconnect Battery (See 34-9017)	N/A Sep.	1
23	Sheave	10-0025	1	55	Manifold Block	51-0012	1	90	Pressure Hose Assembly (Inc. 91-93)	851-0006	1
24	Belt	11-0011	2	56	Washer	29-0008	2	91	Quick Connect Plug	17-0006	1
25	Bushing	9-0005	1	57	Bolt	27-0116	2	92	Pressure Hose Assembly	15-0004	1
26	Bolt w/Bushing	27-0015	4	58	Quick Connect Socket	17-0029	1	93	Quick Connect Socket	17-0004	1
27	Beltguard Cover Assembly (Inc. 28-33)	851-0348	1	59	O-ring (Replacement Only)	25-0123	-	94	GunWand Assembly (Inc. 95-99)	851-0095	1
28	Edging *(Four Feet Required)	33-0020	1	60	By-Pass Hose	15-0022	1	95	Quick Connect Plug	17-0005	1
29	Beltguard Cover (See 851-0348)	N/A Sep.	1	61	Hose Barb	23-0005	2	96	Gun	16-0001	1
30	Decal- Operating Instructions (See 34-9017)	N/A Sep.	1	62	Tee	23-0124	1	97	Wand w/ 36" Handle	16-0120A01	1
31	Fastener	33-0197	1	63	Heat-Dump Valve	22-0005	1	98	Grip Handle	7-0002	1
32	Decal- Die Cut Nozzles	34-0500	1	64	Tee	23-0043	1	99	Quick Connect Socket	17-0001	1
33	Grommet	33-0001	5	65	Hex Nipple	23-0012	1	100	Decal- Warning: Risk of Injection (See 34-9017)	N/A Sep.	1
34	Decal- Mi-T-M Stripe	34-0501	1	66	Hose	15-0140	1	101	O-ring (Replacement Only)	25-0122	-
35	Mi-T-M Logo	62-0086	1	67	Easy Start Valve	22-0146	1		Safety Decal Kit (Inc. 14, 16, 19, 22, 30, 89, 100)	34-9017	

\*Must Order in One Foot Lengths

# PUMP ASSEMBLY (3-0202) (AFTER SERIAL #10375000)

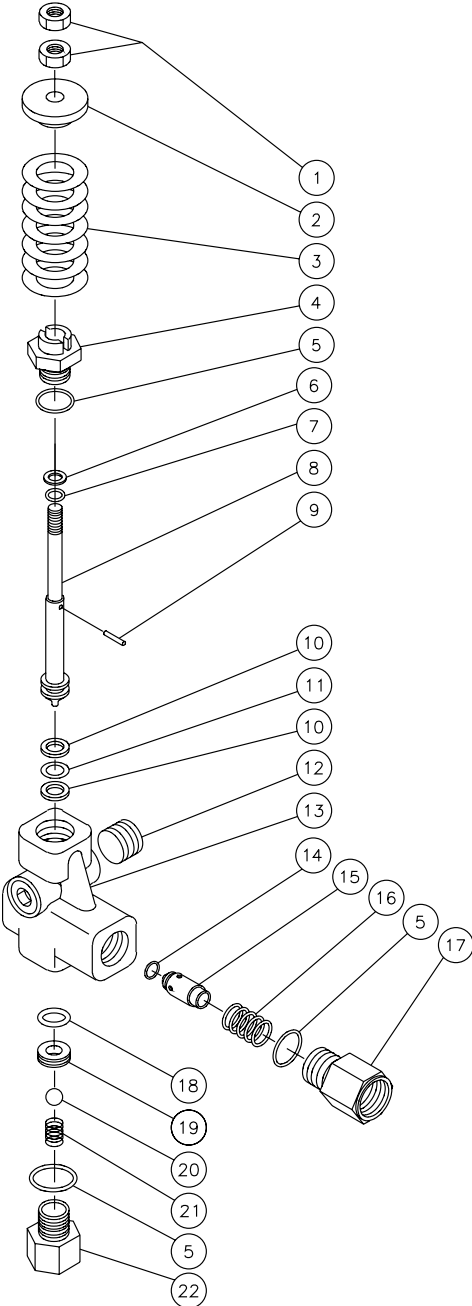


3-0202\_3-0203-010408-JJT

## PUMP ASSEMBLY

REF. #	DESCRIPTION	PART #	QTY.	REF. #	DESCRIPTION	PART #	QTY.	REF. #	DESCRIPTION	PART #	QTY.
1	Valve Plug	46-0889	6	18	Oil Seal	26-0047	3	35	O-ring Cover	25-0339	1
2	O-ring	25-0012	6	19	Bushing	9-0029	3	36	Bolt	27-8435	6
3	Valve Assembly (See 70-0009)	N/A Sep.	6	20	Bolt	27-8431	8	37	Lockwasher	29-0154	6
4	Manifold	46-0890	1	21	Crankcase Open Cover	46-0296	1	38	Connecting Rod	46-0051	3
5	Flatwasher	28-1039	8	22	Shim	46-0113	1	39	Piston Rod	46-0056	3
6	Bolt	27-8185	8	23	Oil Seal	26-0049	1	40	Washer	46-0146	3
7	Washer	28-1038	2	24	O-ring	25-0013	2	41	Plunger	46-0052	3
8	Plug	39-0019	2	25	Bearing	48-0012	2	42	Back-up Ring	46-0109	3
9	Washer	28-1002	2	26	Key	43-0048	1	43	Washer	28-0400	3
10	Plug	39-0018	2	27	Crankshaft	N/A	1	44	Bolt	46-0069	3
11	O-ring (See 70-0030)	N/A Sep.	3	28	Retaining Ring	46-0103	6	45	Crankcase	46-0047	1
12	V-Packing	26-0098	3	29	Connecting Rod Pin	43-0032	3	46	Oil Dip Stick	46-0144	1
13	Ring	25-0207	3	30	Oil Level Indicator	46-0114	1	47	Crankcase Cover	46-0336	1
14	High Pressure Intermediate Seal Retainer	46-0659	3	31	Plug	39-0017	1		Valve Kit (6 each 3)	70-0009	
15	Low Pressure Seal	N/A Sep.	3	32	O-ring	25-0014	4		Head Ring Kit (3 each 11)	70-0030	
16	Low Pressure Seal Retainer	46-0057	3	33	Bolt	27-8404	5		V-Packing Kit (3 each 12, 13, 15)	70-0147	
17	O-ring	25-0015	3	34	Crankcase Cover	46-0295	1		Intermediate Retainer Kit (3 each 13, 14)	70-0148	
									V-Packing Assembly (3 each 11-17)	852-0122	

# UNLOADER ASSEMBLY (8-0270)

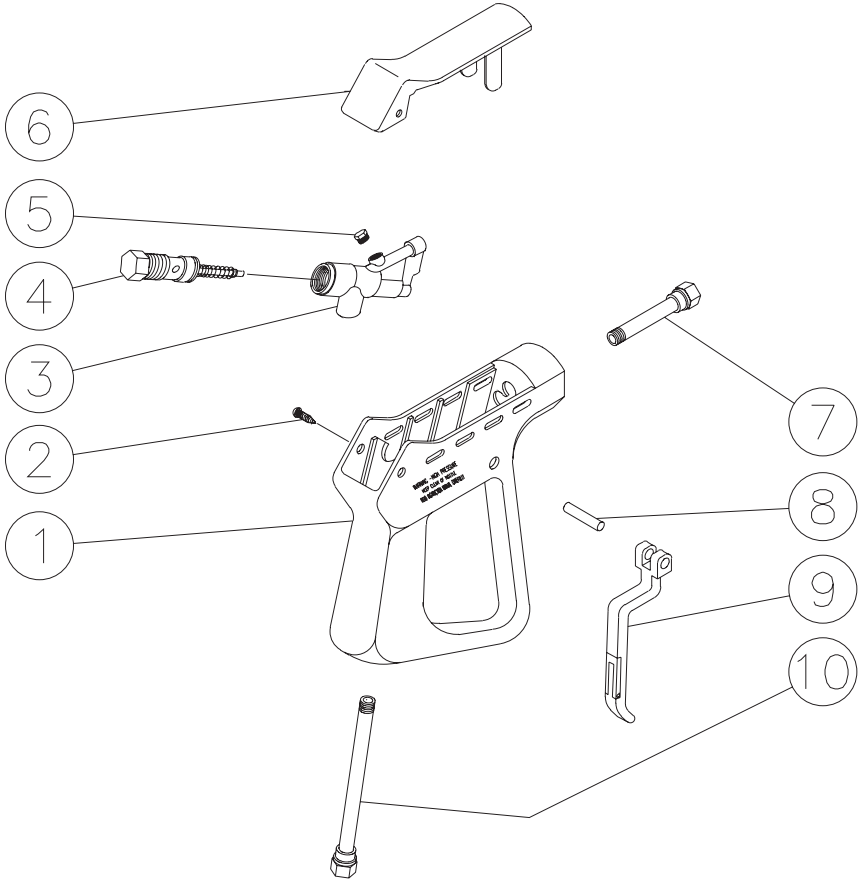


OMGEN043-083094-BAR



<b>UNLOADER ASSEMBLY (8-0270)</b>			
<b>REF. #</b>	<b>DESCRIPTION</b>	<b>PART #</b>	<b>QTY.</b>
1	Hex Nut	30-7203	2
2	Spring Guide	8-0278	1
3	Spring	49-0111	1
4	Piston Housing	8-0279	1
5	O-ring	25-0189	3
6	Back-up Ring	8-0277	1
7	O-ring	25-0192	1
8	Piston	8-0280	1
9	Pin	43-0059	1
10	Back-up Ring	8-0276	2
11	O-ring	25-0191	1
12	Plug	39-0055	2
13	Valve Housing	8-0275	1
14	O-ring	25-0193	1
15	Check Valve	22-0127	1
16	Spring	49-0058	1
17	Outlet Connection	8-0271	1
18	O-ring	25-0190	1
19	Seat	8-0272	1
20	Ball	8-0273	1
21	Spring	49-0059	1
22	Inlet Connection	8-0274	1
	Unloader Kit (5-7, 10, 11, 14, 18-20)	70-0107	1

# GUN ASSEMBLY (16-0001)



16-0001-110399-RD

<b>GUN ASSEMBLY (16-0001)</b>			
<b>REF. #</b>	<b>DESCRIPTION</b>	<b>PART #</b>	<b>QTY.</b>
1	Plastic Housing	16-0008	1
2	Screw	27-3230	2
3	Brass Housing	16-0012	1
4	Gun Repair Kit	70-0055	1
5	Brass Plug	39-0024	1
6	Plastic Cover	16-0009	1
7	Pipe Assembly	16-0013	1
8	Trigger Pin	16-0063	1
9	Trigger/Safety Lock-off	16-0010	1
10	Pipe Assembly- Inlet	16-0016	1
	Complete Gun Assembly	16-0001	1

