



***Performance Under Pressure***

PARTS LIST FOR  
***CW-2405-4ME1/3***  
***CW-3004-4ME1/3***  
***CW-3006-4ME3***  
(AFTER SERIAL #10375000)

Motor Horsepower:

CW-2405/3004-4ME1/3: 7.5HP

CW-3006-4ME3: 15 HP

Pump Oil Grade:

Mi-T-M Pump Oil #AW-4085-0016

Pump OILCapacity:

40.6 oz.

Nozzle Size:

CW-2405-4ME1/3: 6.0

CW-3004-4ME1/3: 4.0

CW-3006-4ME3: 6.5

This Parts Listing has been compiled for your benefit. You can be assured your Mi-T-M Cold Water Pressure Washer was constructed and designed with quality and performance in mind using over 25 years experience in the pressure washer business. Each component has been rigorously tested to insure the highest level of acceptance.

The contents of this Parts Listing are based on the latest product information available at the time of publication. Mi-T-M reserves the right to make changes in price, color, materials, equipment, specifications or models at any time without notice.

**WARNING**  
 THIS IS A PROFESSIONAL HIGH PRESSURE, COLD WATER PRESSURE WASHER. CAUTION SHOULD BE OBSERVED WHEN USING OR REPAIRING THIS UNIT! READ AND FOLLOW THE SAFETY WARNINGS LISTED BELOW BEFORE ATTEMPTING ANY REPAIRS ON THIS PRESSURE WASHER!

### SAFETY WARNINGS

1. NEVER alter or modify the equipment. Be sure any accessory items and system components being used will withstand the pressure developed. Use only genuine Mi-T-M parts for repair of your pressure washer. Failure to do so can cause hazardous operating conditions and will VOID warranty.
2. NEVER make adjustments on machinery while the unit is connected to the power source. Turning over the machinery by hand during adjustment or cleaning might start the machinery, causing serious injury to the operator.
3. Know how to stop and bleed pressures quickly. Be thoroughly familiar with controls.
4. Before servicing the unit, turn unit off, relieve the water pressure and allow the unit to cool down. Do not make repairs while the unit is running. Service in a clean, dry, flat area.
5. After testing the machine, DO NOT leave the pressurized unit unattended. Shut off the unit and release trapped pressure before leaving.

### Table of Contents

SPECIFICATIONS CW-2405-4ME1&3 .....	3
SPECIFICATIONS CW-3004-4ME1&3 .....	4
SPECIFICATIONS CW-3006-4ME3 .....	5
FRAME ASSEMBLY FOR CW-2405-4ME1/4ME3.....	6
FRAME ASSEMBLY FOR CW-3004-4ME1/4ME3.....	8
FRAME ASSEMBLY FOR CW-3006-4ME3 .....	10
PUMP ASSEMBLY (3-0202) (AFTER SERIAL #10375000).....	12
UNLOADER ASSEMBLY (8-0032) .....	14
GUN ASSEMBLY (16-0001) .....	16
WIRING SCHEMATIC FOR CW-2405/3004-4ME1 (230 VOLT) .....	18
WIRING DIAGRAM FOR CW-2405/3004-4ME1 (230 VOLT) .....	19
WIRING SCHEMATIC FOR CW-2405/3004-4ME3 (230 VOLT) .....	20
WIRING DIAGRAM FOR CW-2405/3004-4ME3 (230 VOLT) .....	21
WIRING SCHEMATIC FOR CW-2405/3004-4ME3 (CX-0003 OPTION) (460 VOLT).....	22
WIRING DIAGRAM FOR CW-2405/3004-4ME3 (CX-0003 OPTION) (460 VOLT) .....	23
CW-3006-4ME3 CONTROL BOX ASSEMBLY (230 VOLT) (AFTER SERIAL #10154637).....	24
WIRING SCHEMATIC FOR CW-3006-4ME3 (230 VOLT) .....	26
WIRING DIAGRAM FOR CW-3006-4ME3 (230 VOLT) .....	27
CW-3006-4ME3 CONTROL BOX ASSEMBLY (CX-0057 OPTION) (460 VOLT).....	28
WIRING SCHEMATIC FOR CW-3006-4ME3 (460 VOLT) .....	30
WIRING DIAGRAM FOR CW-3006-4ME3 (460 VOLT) .....	31

**SPECIFICATIONS CW-2405-4ME1&3**

<b>MODEL NUMBER</b>	<b>CW-2405-4ME1</b>	<b>CW-2405-4ME3</b>
<b>Operating Pressure (PSI/Bar):</b>	2400/165.5	
<b>High Pressure Nozzle:</b>	6.0	
<b>Water Volume (GPM/lpm):</b>	4.6/17.4	
<b>Motor:</b>	Totally enclosed fan cooled, circuit breaker thermal overload protection, 10ft. power supply cord.	
Horsepower	7.5	
Voltage	230	230/460
Phase	Single	Three
Amps	35.7	24.7/11.5
<b>Pump:</b>	Belt Driven, Oil Bath, Triplex Piston	
Oil Type	Mi-T-M Pump Oil #AW-4085-0016	
Oil Capacity (oz./liters)	40.6/1.20	
Plungers	Ceramic	
Manifold	Forged Brass	
Valves	Stainless Steel	
Thermal Relief Valve	Relieves heated water during unloader bypass stage.	
Unloader:	Preset	
Detergent Injector	Adjustable low pressure down stream from pump	
<b>Unit Net Weight (lbs/Kg)</b>	347/157.5	270/122.5
<b>Unit Shipping Weight (lbs/Kg)</b>	335/152	257/116.5
<b>Unit Net Dimension (in/cm)</b>	46Lx28Wx30H/117Lx71Wx76H	
<b>Unit Shipping Dimension (in/cm)</b>	49Lx30.5Wx35.5H/124Lx77.5Wx90H	

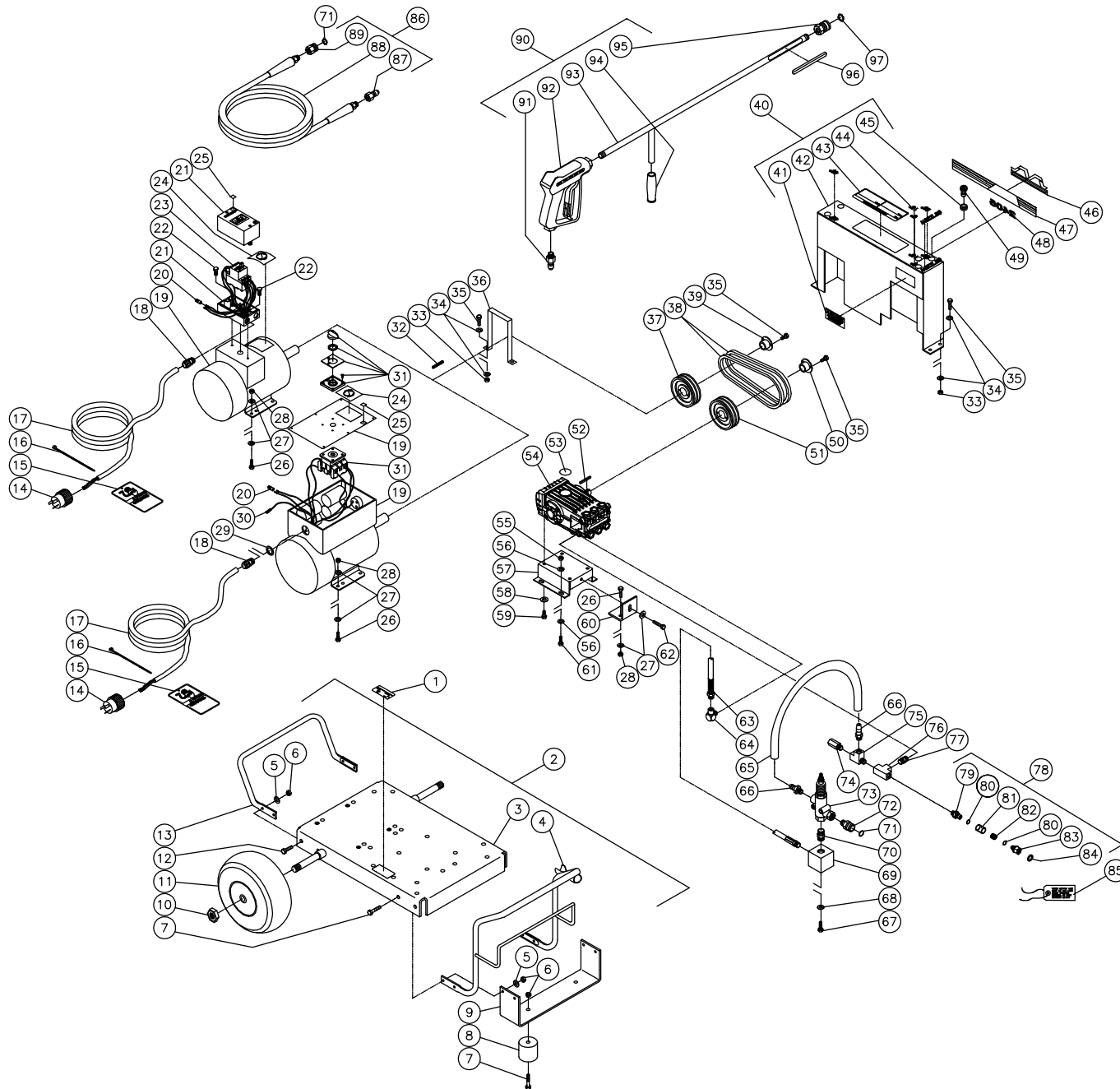
**SPECIFICATIONS CW-3004-4ME1&3**

<b>MODEL NUMBER</b>	<b>CW-3004-4ME1</b>	<b>CW-3004-4ME3</b>
<b>Operating Pressure (PSI/Bar):</b>	3000/206.8	
<b>High Pressure Nozzle:</b>	4.0	
<b>Water Volume (GPM/lpm):</b>	3.5/13.2	
<b>Motor:</b>	Totally enclosed fan cooled, circuit breaker thermal overload protection, 10ft. power supply cord.	
Horsepower	7.5	
Voltage	230	230/460
Phase	Single	Three
Amps	35	23/11.5
<b>Pump:</b>	Belt Driven, Oil Bath, Triplex Piston	
Oil Type	Mi-T-M Pump Oil #AW-4085-0016	
Oil Capacity (oz./liters)	40.6/1.20	
Plungers	Ceramic	
Manifold	Forged Brass	
Valves	Stainless Steel	
Thermal Relief Valve	Relieves heated water during unloader bypass stage.	
Unloader:	Preset	
Detergent Injector	Adjustable low pressure down stream from pump	
<b>Unit Net Weight (lbs/Kg)</b>	347/157.5	270/122.5
<b>Unit Shipping Weight (lbs/Kg)</b>	335/152	257/116.5
<b>Unit Net Dimension (in/cm)</b>	46Lx28Wx30H/117Lx71Wx76H	
<b>Unit Shipping Dimension (in/cm)</b>	49Lx30.5Wx35.5H/124Lx77.5Wx90H	

**SPECIFICATIONS CW-3006-4ME3**

<b>MODEL NUMBER</b>	<b>CW-3006-4ME3</b>
<b>Operating Pressure (PSI/Bar):</b>	3000/206.8
<b>High Pressure Nozzle:</b>	6.5
<b>Water Volume (GPM/lpm):</b>	5.7/21.6
<b>Motor:</b>	Totally enclosed fan cooled, circuit breaker thermal overload protection, 10ft. power supply cord.
Horsepower	15.0
Voltage	230/480
Phase	Three
Amps	40/20
<b>Pump:</b>	Belt Driven, Oil Bath, Triplex Piston
Oil Type	Mi-T-M Pump Oil #AW-4085-0016
Oil Capacity (oz./liters)	40.6/1.2
Plungers	Ceramic Coated
Manifold	Forged Brass
Valves	Stainless Steel
Unloader	Preset
Thermal Relief Valve	Relieves heated water during unloader bypass stage
<b>Unit Net Weight w/Marathon (lbs/Kg)</b>	370/168
<b>Unit Shipping Weight w/Marathon (lbs/Kg)</b>	511/232
<b>Unit Net Weight w/Baldor (lbs/Kg)</b>	415/188
<b>Unit Shipping Weight w/Baldor (lbs/Kg)</b>	556/252
<b>Unit Net Dimension (in/cm)</b>	45.5Lx32.5Wx30H/115.5Lx82.5Wx76.5H
<b>Unit Shipping Dimension (in/cm)</b>	48.5Lx30.5Wx35.5H/123Lx77.5Wx90H

# FRAME ASSEMBLY FOR CW-2405-4ME1/4ME3

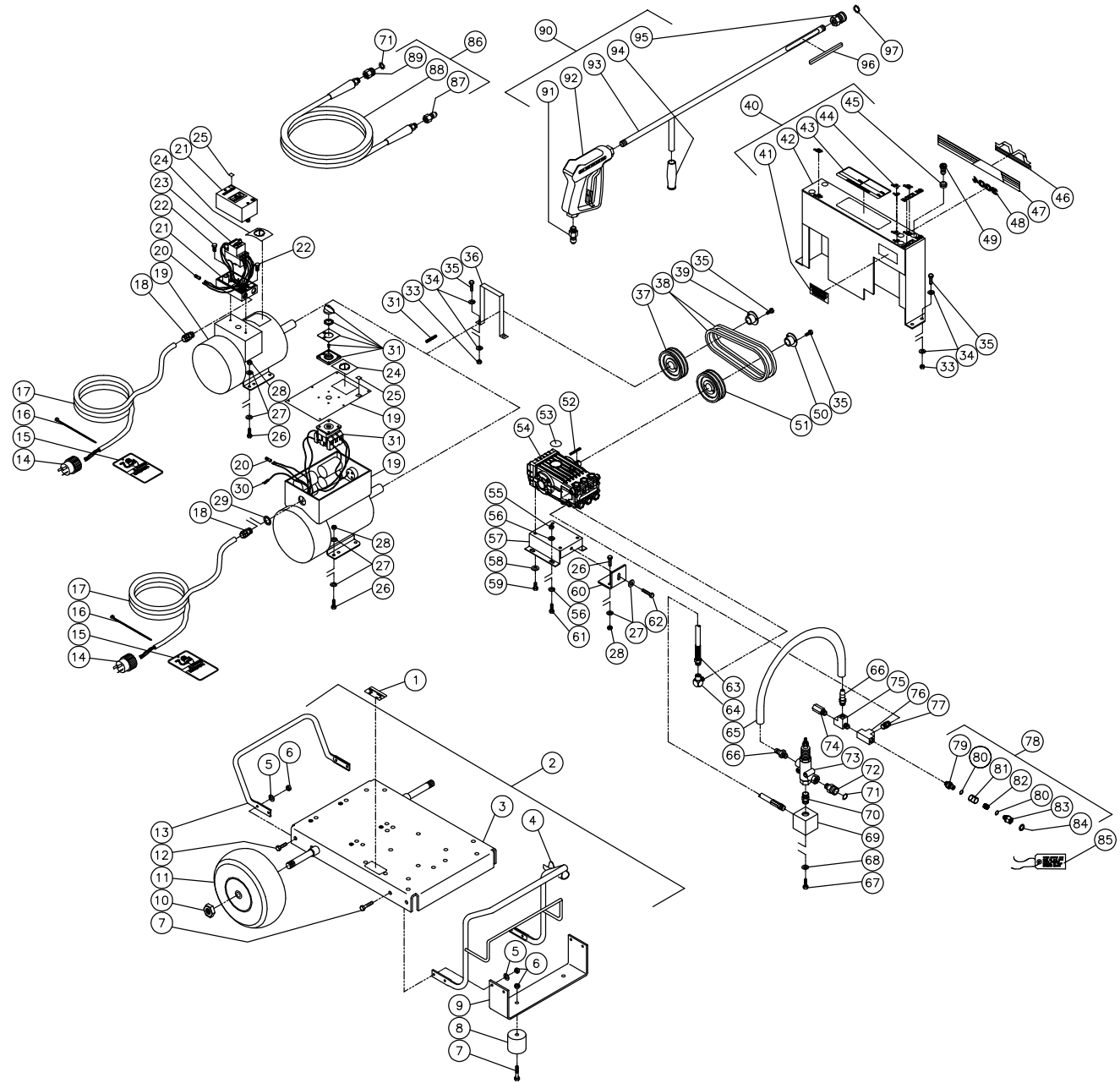


CW-2405-4ME1&3-092904-AJG

FRAME ASSEMBLY FOR CW-2405-4ME1/4ME3											
REF #	DESCRIPTION	PART #	QTY	REF #	DESCRIPTION	PART #	QTY	REF #	DESCRIPTION	PART #	QTY
1	Decal- Data Plate	N/A	1	31	Switch (CW-3004-4ME1)	32-0301	1	62	Bolt	27-0576	1
2	Base Plate Assembly (Inc. 3-13)	851-0187	1	32	Key	43-0078	1	63	Hose	15-0024	1
3	Base Plate	5-0089A01	1	33	Locknut (CW-2405-4ME1)	30-0155	6	64	Elbow	24-0105	1
4	Handle- Front	7-0102A01	1	-	Locknut (CW-2405-4ME3)	30-0155	4	65	By-Pass Hose	15-0035	1
5	Washer	28-0003	8	34	Washer (CW-2405-4ME1)	28-0002	12	66	Hose Barb	23-0007	2
6	Locknut	30-0157	10	-	Washer (CW-2405-4ME3)	28-0002	8	67	Bolt	27-0116	2
7	Bolt	27-0068	6	35	Bolt (CW-2405-4ME1)	27-0015	6	68	Washer	29-0008	2
8	Isolator	14-0008	2	-	Bolt (CW-2405-4ME3)	27-0015	4	69	Manifold Block	51-0012	1
9	Underbracket	13-0015A01	1	36	Fingerguard (CW-2405-4ME1)	6-0054A01	1	70	Hex Nipple	24-0031	1
10	Jamnut	30-0117	2	37	Sheave	10-0041	1	71	O-ring (Replacement Only)	25-0123	-
11	Wheel	14-0006	2	38	Belt	11-0017	2	72	Quick Connect Socket	17-0029	1
12	Bolt	27-0067	4	39	Bushing	9-0008	1	73	Unloader	8-0032	1
13	Handle- Rear	7-0105A01	1	40	Beltguard Assembly (Inc. 41-45)	851-0280	1	74	Thermal Relief Valve	22-0005	1
14	Plug- 250V (CW-2405-4ME1)	32-0012	1	41	Decal- Caution: High Pressure Spray	34-0080	1	75	Street Tee	23-0124	1
-	Plug- 250V (CW-2405-4ME3)	32-0037	1	42	Beltguard (See 851-0280)	N/A Sep.	1	76	Tee	23-0043	1
-	Plug- 480V (CX-0003) (CW-2405-4ME3)	32-0117	1	43	Decal- Warn/Caut/Oper.	34-0925	1	77	Hex Nipple	23-0012	1
15	Tag- Risk of Electrocution	34-1035	1	44	Decal- Die Cut	34-0500	1	78	Filter Assembly (Inc. 79-84)	19-0206	1
16	Cable Tie	33-0022	1	45	Grommet	33-0001	5	79	Filter Outlet-NPT (See 19-0206)	N/A Sep.	1
17	Cord- 250V *(Ten Feet Required) (CW-2405-4ME1)	32-0021	1	46	Decal- Mi-T-M Logo	62-0086	1	80	O-Ring	25-0517	1
-	Cord- 250V *(Ten Feet Required) (CW-2405-4ME3)	32-0023	1	47	Decal- Mi-T-M Stripe	34-0501	1	81	Sight Glass	19-0208	1
-	Cord- 480V *(Ten Feet Required) (CX-0003) (CW-2405-4ME3)	32-0025	1	48	Decal- Die Cut 2405	34-0035	1	82	Screen-Strainer	19-0209	1
18	Cord Strain Relief (CW-2405-4ME1)	32-0040	1	49	Spray Nozzle- 0006	18-0013	1	83	Filter Inlet-Garden Hose (See 19-0206)	N/A Sep.	1
-	Cord Strain Relief (CW-2405-4ME3)	32-0013	1	-	Spray Nozzle- 1506	18-0014	1	84	Garden Hose Gasket	26-0001	1
19	Motor- 7.5 H.P. (CW-2405-4ME1)	2-0013	1	-	Spray Nozzle- 2506	18-0043	1	85	Tag - Water Supply Inlet	34-0097	1
-	Motor- 7.5 H.P. (CW-2405-4ME3)	2-0093	1	-	Spray Nozzle- 4006	18-0044	1	86	Pressure Hose Assembly (Inc. 87-89)	851-0007	1
20	Crimped Wire Splice	32-0359	1	50	Bushing	9-0017	1	87	Quick Connect Plug	17-0006	1
21	Starter Enclosure (CW-2405-4ME3)	32-0293	1	51	Sheave	10-0035	1	88	Pressure Hose	15-0003	1
22	Bolt (CW-2405-4ME3)	27-0018	2	52	Key w/Pump	43-0028	1	89	Quick Connect Socket	17-0004	1
23	Starter- 240V (CW-2405-4ME3)	32-0298	1	53	Decal- Pump ID #	N/A	1	90	Gun/Wand Assembly (Inc. 91-95)	851-0095	1
-	Starter- 480V (CX-0003) (CW-2405-4ME3)	32-0297	1	54	Pump	3-0202	1	91	Quick Connect Plug	17-0005	1
24	Decal- Do Not Spay	34-0391	1	55	Locknut	30-0161	4	92	Gun	16-0001	1
25	Decal- Void if Removed	34-0085	1	56	Washer	28-0030	8	93	Wand w/ 36" Handle	16-0120A01	1
26	Bolt	27-0118	6	57	Pump Bracket	5-0101A01	1	94	Grip Handle	7-0002	1
27	Washer	28-0023	11	58	Washer w/Pump	29-0054	4	95	Quick Connect Socket	17-0001	1
28	Locknut	30-0159	6	59	Bolt w/Pump	27-8042	4	96	Decal- Warning: Risk of Injection	34-0572	1
29	Locknut (CW-3004-4ME1)	32-0292	1	60	Brace Tightener	13-0003A01	1	97	O-ring (Replacement Only)	25-0122	-
30	Terminal (CW-3004-4ME1)	32-0034	1	61	Bolt	27-0166	4				

\*Must Order in One Foot Lengths

# FRAME ASSEMBLY FOR CW-3004-4ME1/4ME3



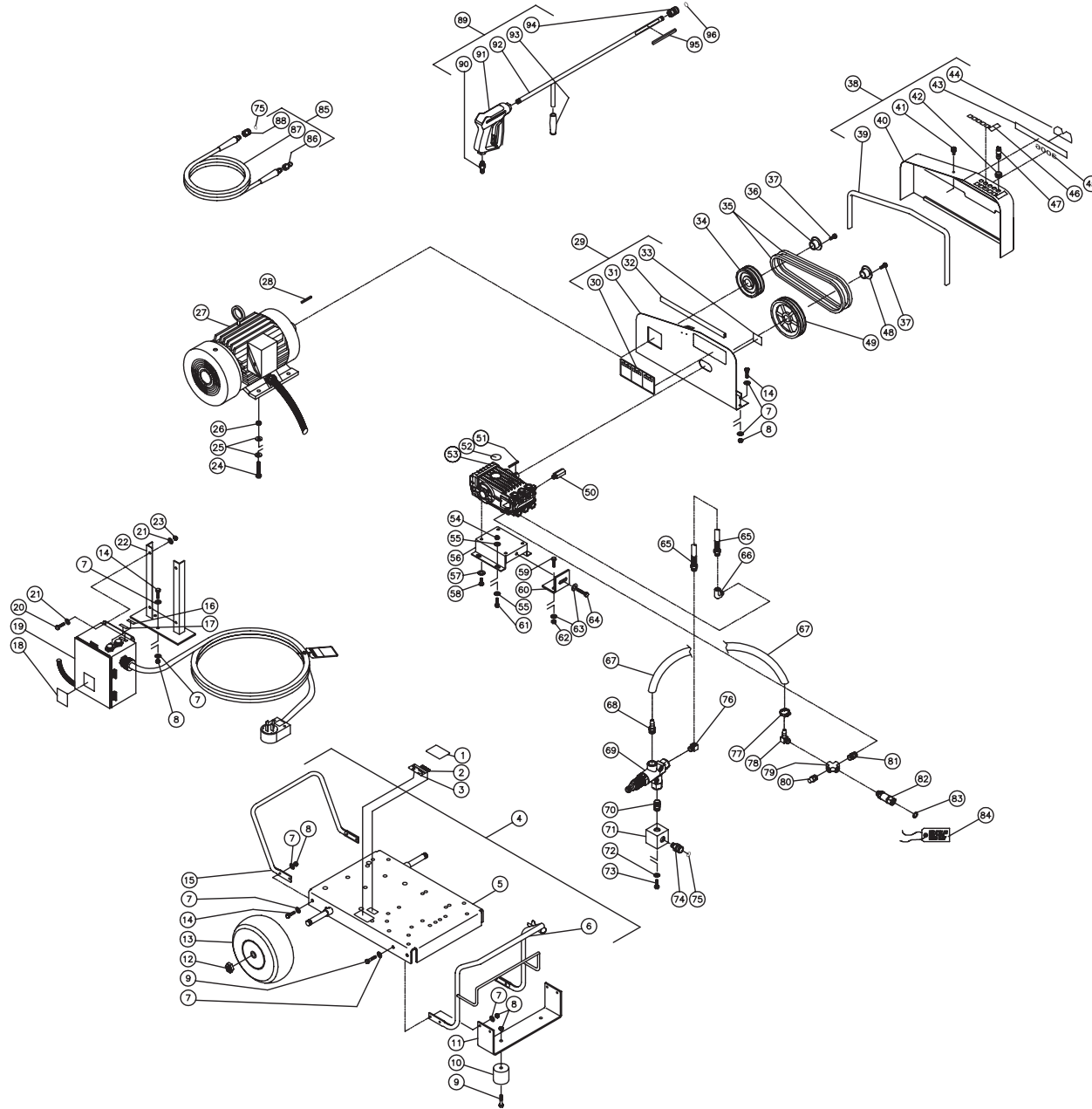
CW-3004-4ME1&3-092904-AJG



FRAME ASSEMBLY FOR CW-3004-4ME1/4ME3											
REF #	DESCRIPTION	PART #	QTY	REF #	DESCRIPTION	PART #	QTY	REF #	DESCRIPTION	PART #	QTY
1	Decal- Data Plate	N/A	1	31	Switch (CW-3004-4ME1)	32-0301	1	62	Bolt	27-0576	1
2	Base Plate Assembly (Inc. 3-13)	851-0187	1	32	Key	43-0078	1	63	Hose	15-0024	1
3	Base Plate	5-0089A01	1	33	Locknut (CW-3004-4ME1)	30-0155	6	64	Elbow	24-0105	1
4	Handle- Front	7-0102A01	1	-	Locknut (CW-3004-4ME3)	30-0155	4	65	By-Pass Hose	15-0035	1
5	Washer	28-0003	8	34	Washer (CW-3004-4ME1)	28-0002	12	66	Hose Barb	23-0007	2
6	Locknut	30-0157	10	-	Washer (CW-3004-4ME3)	28-0002	8	67	Bolt	27-0116	2
7	Bolt	27-0068	6	35	Bolt (CW-3004-4ME1)	27-0015	6	68	Washer	29-0008	2
8	Isolator	14-0008	2	-	Bolt (CW-3004-4ME3)	27-0015	4	69	Manifold Block	51-0012	1
9	Underbracket	13-0015A01	1	36	Fingerguard (CW-3004-4ME1)	6-0054A01	1	70	Hex Nipple	24-0031	1
10	Jamnut	30-0117	2	37	Sheave	10-0025	1	71	O-ring (Replacement Only)	25-0123	-
11	Wheel	14-0006	2	38	Belt	11-0005	2	72	Quick Connect Socket	17-0029	1
12	Bolt	27-0067	4	39	Bushing	9-0008	1	73	Unloader	8-0032	1
13	Handle- Rear	7-0105A01	1	40	Beltguard Assembly (Inc. 41-45)	851-0280	1	74	Thermal Relief Valve	22-0005	1
14	Plug- 250V (CW-3004-4ME1)	32-0012	1	41	Decal- Caution: High Pressure Spray	34-0080	1	75	Street Tee	23-0124	1
-	Plug- 250V (CW-3004-4ME3)	32-0037	1	42	Beltguard (See 851-0280)	N/A Sep.	1	76	Tee	23-0043	1
-	Plug- 480V (CX-0003) (CW-3004-4ME3)	32-0117	1	43	Decal- Warn/Caut/Oper.	34-0925	1	77	Hex Nipple	23-0012	1
15	Tag- Risk of Electrocution	34-1035	1	44	Decal- Die Cut	34-0500	1	78	Filter Assembly (Inc. 79-84)	19-0206	1
16	Cable Tie	33-0022	1	45	Grommet	33-0001	5	79	Filter Outlet-NPT (See 19-0206)	N/A Sep.	1
17	Cord- 250V *(Ten Feet Required) (CW-3004-4ME1)	32-0021	1	46	Decal- Mi-T-M Logo	62-0086	1	80	O-Ring	25-0517	1
-	Cord- 250V *(Ten Feet Required) (CW-3004-4ME3)	32-0023	1	47	Decal- Mi-T-M Stripe	34-0501	1	81	Sight Glass	19-0208	1
-	Cord- 480V *(Ten Feet Required) (CX-0003) (CW-3004-4ME3)	32-0025	1	48	Decal- Die Cut 3004	34-0105	1	82	Screen-Strainer	19-0209	1
18	Cord Strain Relief (CW-3004-4ME1)	32-0040	1	49	Spray Nozzle- 0004	18-0028	1	83	Filter Inlet-Garden Hose (See 19-0206)	N/A Sep.	1
-	Cord Strain Relief (CW-3004-4ME3)	32-0013	1	-	Spray Nozzle- 1504	18-0029	1	84	Garden Hose Gasket	26-0001	1
19	Motor- 7.5 H.P. (CW-3004-4ME1)	2-0013	1	-	Spray Nozzle- 2504	18-0030	1	85	Tag - Water Supply Inlet	34-0097	1
-	Motor- 7.5 H.P. (CW-3004-4ME3)	2-0093	1	-	Spray Nozzle- 4004	18-0031	1	86	Pressure Hose Assembly (Inc. 87-89)	851-0007	1
20	Crimped Wire Splice	32-0359	1	50	Bushing	9-0017	1	87	Quick Connect Plug	17-0006	1
21	Starter Enclosure (CW-3004-4ME3)	32-0293	1	51	Sheave	10-0035	1	88	Pressure Hose	15-0003	1
22	Bolt (CW-3004-4ME3)	27-0018	2	52	Key w/Pump	43-0048	1	89	Quick Connect Socket	17-0004	1
23	Starter- 240V (CW-3004-4ME3)	32-0298	1	53	Decal- Pump ID #	N/A	1	90	Gun/Wand Assembly (Inc. 91-95)	851-0095	1
-	Starter- 480V (CX-0003) (CW-3004-4ME3)	32-0297	1	54	Pump	3-0202	1	91	Quick Connect Plug	17-0005	1
24	Decal- Do Not Spray	34-0391	1	55	Locknut	30-0161	4	92	Gun	16-0001	1
25	Decal- Void if Removed	34-0085	1	56	Washer	28-0030	8	93	Wand w/ 36" Handle	16-0120A01	1
26	Bolt	27-0118	6	57	Pump Bracket	5-0101A01	1	94	Grip Handle	7-0002	1
27	Washer	28-0023	11	58	Washer w/Pump	29-0054	4	95	Quick Connect Socket	17-0001	1
28	Locknut	30-0159	6	59	Bolt w/Pump	27-8042	4	96	Decal- Warning: Risk of Injection	34-0572	1
29	Locknut (CW-3004-4ME1)	32-0292	1	60	Brace Tightener	13-0003A01	1	97	O-ring (Replacement Only)	25-0122	-
30	Terminal (CW-3004-4ME1)	32-0034	1	61	Bolt	27-0166	4				

\*Must Order in One Foot Lengths

# FRAME ASSEMBLY FOR CW-3006-4ME3

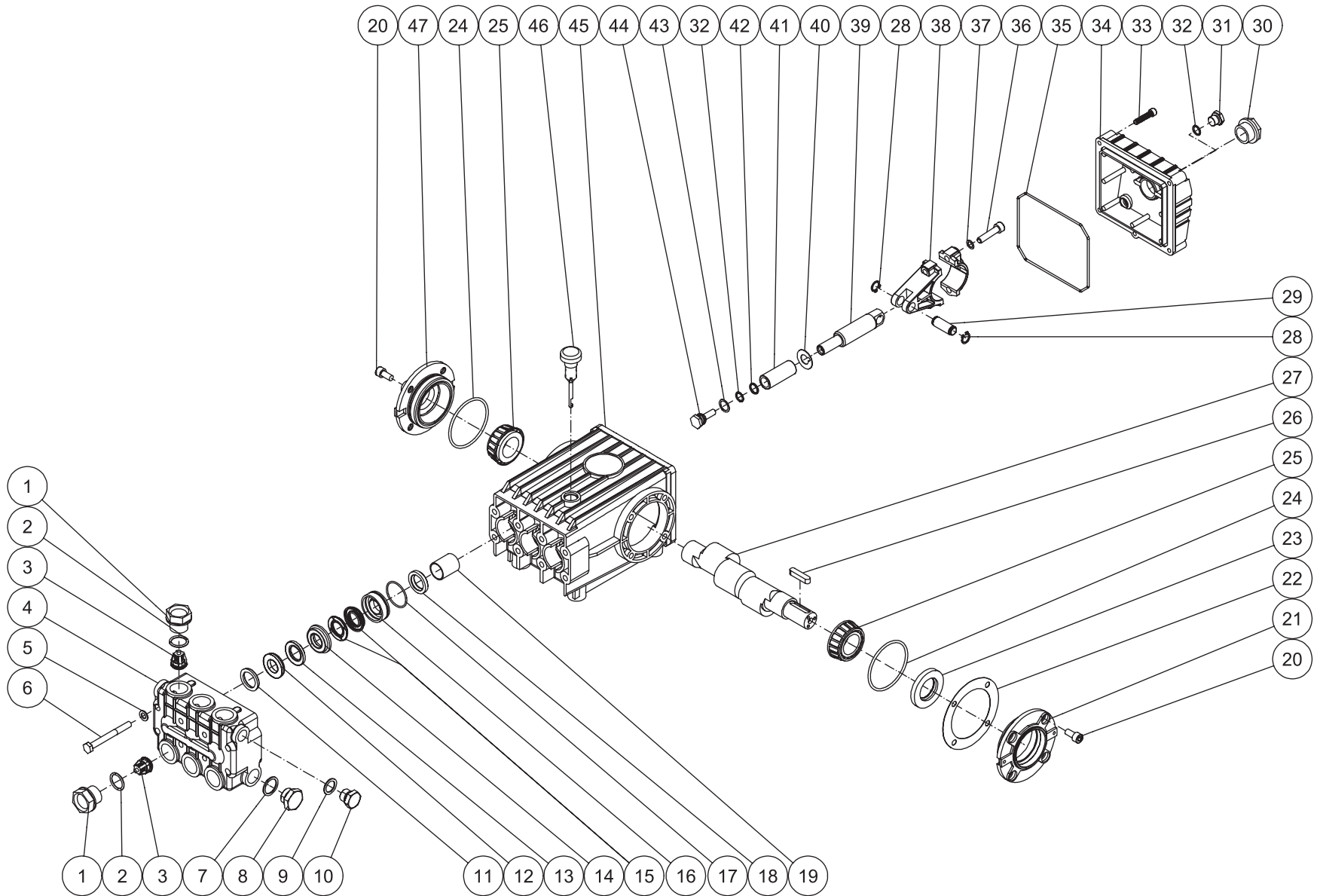


CW-3006-4ME3-012109-CAW

FRAME ASSEMBLY FOR CW-3006-4ME3											
REF. #	DESCRIPTION	PART #	QTY.	REF. #	DESCRIPTION	PART #	QTY.	REF. #	DESCRIPTION	PART #	QTY.
1	Decal- Clear Laminate	N/A	1	33	Decal-Warning Beltguard Cover	34-0575	1	64	Bolt	27-0576	1
2	Decal- Serial Number	N/A	1	34	Sheave	10-0106	1	65	Hose	15-0024	1
3	Decal- Data Plate	N/A	1	35	Belt	11-0047	2	66	Fitting	24-0105	1
4	Base Plate Assembly (Inc. 5-15)	851-0333	1	36	Bushing	9-0072	1	67	By-Pass Hose *(Two Feet Required)	15-0035	1
5	Base Plate	5-0137A01	1	37	Bolt W/Bushing	27-0068	4	68	Fitting	23-0007	1
6	Handle	7-0102A01	1	38	Beltguard Cover Assembly (Inc. 40-45)	850-0242	1	69	Unloader	8-0032	1
7	Washer	28-0003	30	39	Edging *(Four Feet Required)	33-0020	1	70	Fitting	24-0031	1
8	Locknut	30-0157	17	40	Beltguard Cover (See 8510-0242)	N/A Sep.	1	71	Manifold Block	51-0012	1
9	Bolt	27-0068	6	41	Fastener	33-0197	1	72	Washer	29-0008	2
10	Isolator	14-0008	2	42	Gromment	33-0001	5	73	Bolt	27-0116	2
11	Underbracket	13-0015A01	1	43	Decal-Mi-T-M Stripe	34-2189	1	74	Quick Connect Socket	17-0029	1
12	Jamnut	30-0117	2	44	Decal-Mi-T-M Logo	34-2169	1	75	O-ring (Replacement Only)	25-0123	-
13	Wheel	14-0006	2	45	Decal-White Die Cut 3006	34-2214	1	76	Fitting	24-0006	1
14	Bolt	27-0067	11	46	Decal-Nozzles	34-0500	1	77	Hose Clamp	42-0003	1
15	Handle	7-0105A01	1	47	Spray Nozzle- 0006.5	18-0328	1	78	Fitting	23-0037	1
16	Decal- Stop	34-0249	1	-	Spray Nozzle- 1506.5	18-0329	1	79	Cross Fitting	23-0071	1
17	Decal- Run	34-0250	1	-	Spray Nozzle- 2506.5	18-0330	1	80	Thermal Relief Valve	22-0005	1
18	Decal- Do not Spray	34-0391	1	-	Spray Nozzle- 4006.5	18-0331	1	81	Fitting	23-0012	1
19	Control Box - 230V (See Exploded Drawing)	N/A Sep.	1	48	Bushing	9-0073	1	82	Filter Assembly	19-0206	1
-	Control Box - 480V (See Exploded Drawing)	N/A Sep.	1	49	Sheave	10-0107	1	83	Garden Hose Gasket	26-0001	1
20	Bolt	27-0015	4	50	Valve-Safety Relief	22-0319	1	84	Tag- Water Supply Inlet	34-0097	1
21	Washer	28-0002	8	51	Key-W/Pump	43-0048	1	85	Pressure Hose Assembly (Inc. 87-89)	851-0007	1
22	Bracket	13-0127A01	1	52	Decal-Pump I.D.	N/A	1	86	Quick Connect Plug	17-0006	1
23	Locknut	30-0155	4	53	Pump	3-0202	1	87	Pressure Hose	15-0003	1
24	Bolt	31-5033	4	54	Locknut	30-0161	4	88	Quick Connect Socket	17-0004	1
25	Washer	28-0006	8	55	Washer	28-0030	8	89	Gun/Wand Assembly (Inc. 91-95)	851-0095	1
26	Locknut	30-0163	4	56	Pump Bracket	5-0101A01	1	90	Quick Connect Plug	17-0005	1
27	Bolt	27-0219	2	57	Washer-W/Pump	29-0054	4	91	Gun	16-0001	1
27	Motor- 15 H.P.	2-0018	1	58	Bolt-W/Pump	27-8042	4	92	Wand- w/ 36" Handle	16-0120A01	1
28	Key	43-0078	1	59	Bolt	27-0119	2	93	Grip Handle	7-0002	1
29	Beltguard Back Assembly (Inc. 31-34)	851-0335	1	60	Brace Tightener	13-0003A01	1	94	Quick Connect Socket	17-0001	1
30	Decal-CautionWarning/Operating Inst.	34-0925	1	61	Bolt	27-0166	4	95	Decal- Risk of Injection	34-0572	1
31	Beltguard Back (See 851-0335)	N/A Sep.	1	62	Locknut	30-0159	2	96	O-ring (Replacement Only)	25-0122	-
32	Edging *(Two Feet Required)	33-0020	1	63	Washer	28-0023	3				

\*Must Order in One Foot Lengths

# PUMP ASSEMBLY (3-0202) (AFTER SERIAL #10375000)

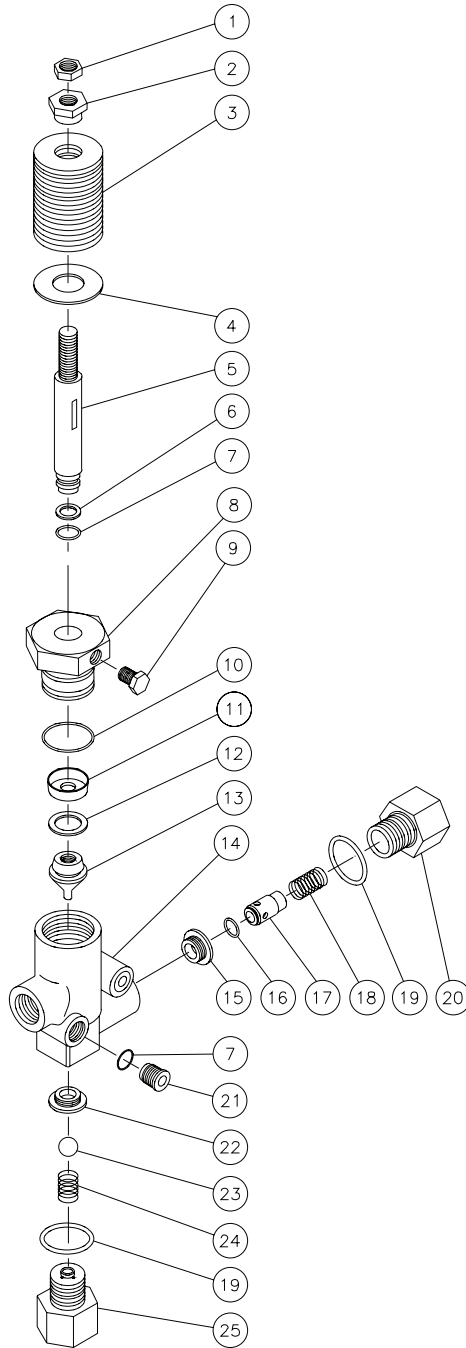


3-0202\_3-203-010408-JJT

## PUMP ASSEMBLY

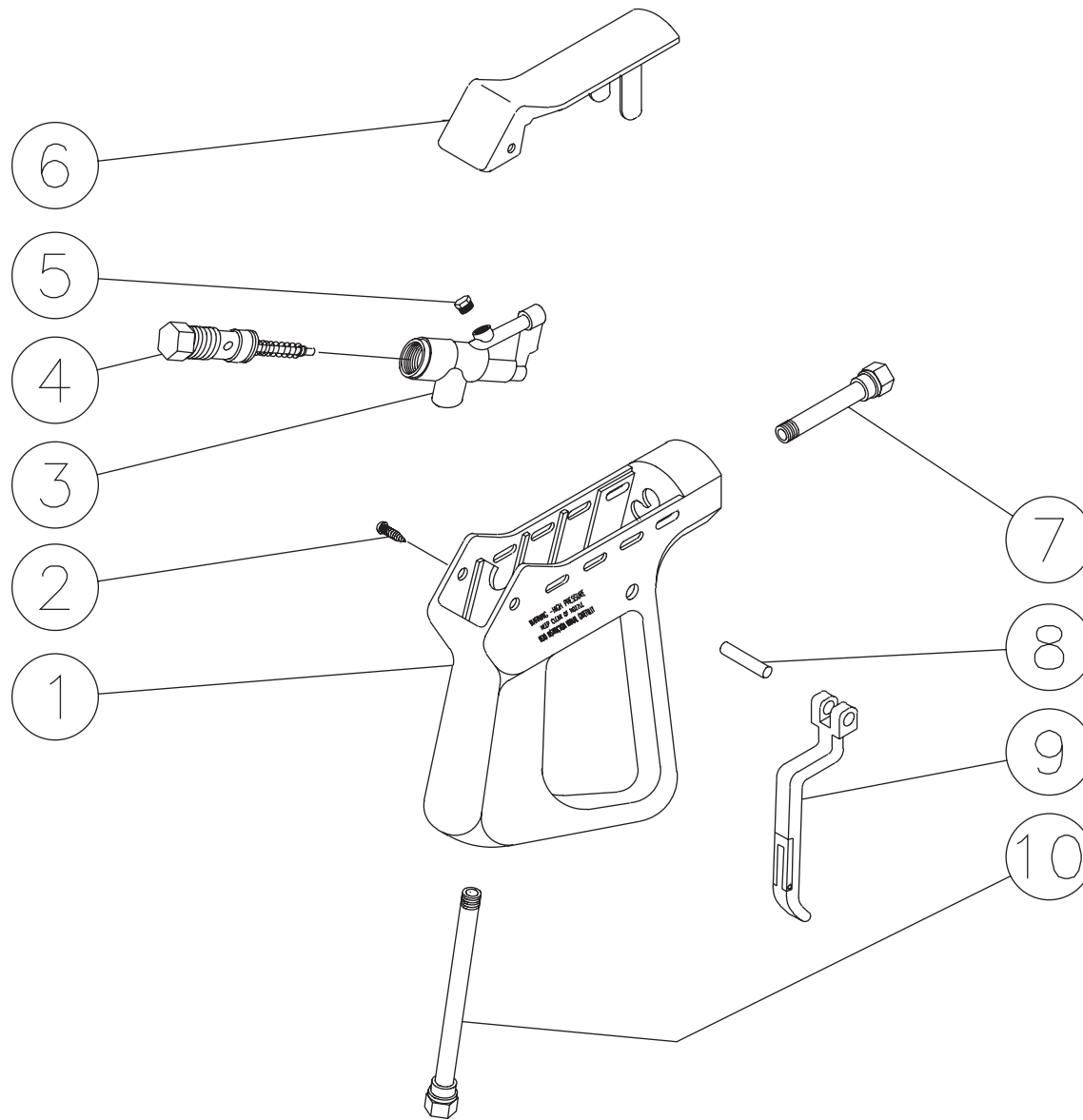
REF. #	DESCRIPTION	PART #	QTY.	REF. #	DESCRIPTION	PART #	QTY.	REF. #	DESCRIPTION	PART #	QTY.
1	Valve Plug	46-0889	6	18	Oil Seal	26-0047	3	35	O-ring Cover	25-0339	1
2	O-ring	25-0012	6	19	Bushing	9-0029	3	36	Bolt	27-8435	6
3	Valve Assembly (See 70-0009)	N/A Sep.	6	20	Bolt	27-8431	8	37	Lockwasher	29-0154	6
4	Manifold	46-0890	1	21	Crankcase Open Cover	46-0296	1	38	Connecting Rod	46-0051	3
5	Flatwasher	28-1039	8	22	Shim	46-0113	1	39	Piston Rod	46-0056	3
6	Bolt	27-8185	8	23	Oil Seal	26-0049	1	40	Washer	46-0146	3
7	Washer	28-1038	2	24	O-ring	25-0013	2	41	Plunger	46-0052	3
8	Plug	39-0019	2	25	Bearing	48-0012	2	42	Back-up Ring	46-0109	3
9	Washer	28-1002	2	26	Key	43-0048	1	43	Washer	28-0400	3
10	Plug	39-0018	2	27	Crankshaft	N/A	1	44	Bolt	46-0069	3
11	O-ring (See 70-0030)	N/A Sep.	3	28	Retaining Ring	46-0103	6	45	Crankcase	46-0047	1
12	V-Packing	26-0098	3	29	Connecting Rod Pin	43-0032	3	46	Oil Dip Stick	46-0144	1
13	Ring	25-0207	3	30	Oil Level Indicator	46-0114	1	47	Crankcase Cover	46-0336	1
14	High Pressure Intermediate Seal Retainer	46-0659	3	31	Plug	39-0017	1		Valve Kit (6 each 3)	70-0009	
15	Low Pressure Seal	N/A Sep.	3	32	O-ring	25-0014	4		Head Ring Kit (3 each 11)	70-0030	
16	Low Pressure Seal Retainer	46-0057	3	33	Bolt	27-8404	5		V-Packing Kit (3 each 12, 13, 15)	70-0147	
17	O-ring	25-0015	3	34	Crankcase Cover	46-0295	1		Intermediate Retainer Kit (3 each 13, 14)	70-0148	
									V-Packing Assembly (3 each 11-17)	852-0122	

# UNLOADER ASSEMBLY (8-0032)



UNLOADER ASSEMBLY (8-0032)			
REF.#	DESCRIPTION	PART #	QTY.
1	Locknut	30-3058	1
2	Adjusting Nut	8-0089	1
3	Spring Washers - Orange	8-0009	15
4	Washer	28-0250	1
5	Valve Stem	8-0037	1
6	Backup Ring	8-0038	1
7	O-ring	25-0009	5
8	Valve Cap	8-0036	1
9	Set Screw	8-0084	1
10	O-ring	25-0008	1
11	Cup	8-0034	1
12	Back-up Ring	8-0040	1
13	Piston	8-0039	1
14	Valve Body	8-0164	1
15	Outlet Seat	8-0006	1
16	O-ring	25-0011	1
17	Outlet Valve	8-0004	1
18	Spring	49-0016	1
19	O-ring	25-0010	2
20	Outlet Retainer	8-0003	1
21	Brass Plug	8-0011	4
22	Valve Seat	8-0005	1
23	Ball	8-0041	1
24	Spring	49-0015	1
25	Inlet Retainer	8-0165	1
	Unloader Repair Kit (Inc. 6, 7, 10-12, 16 and 19)	70-0044	

# GUN ASSEMBLY (16-0001)



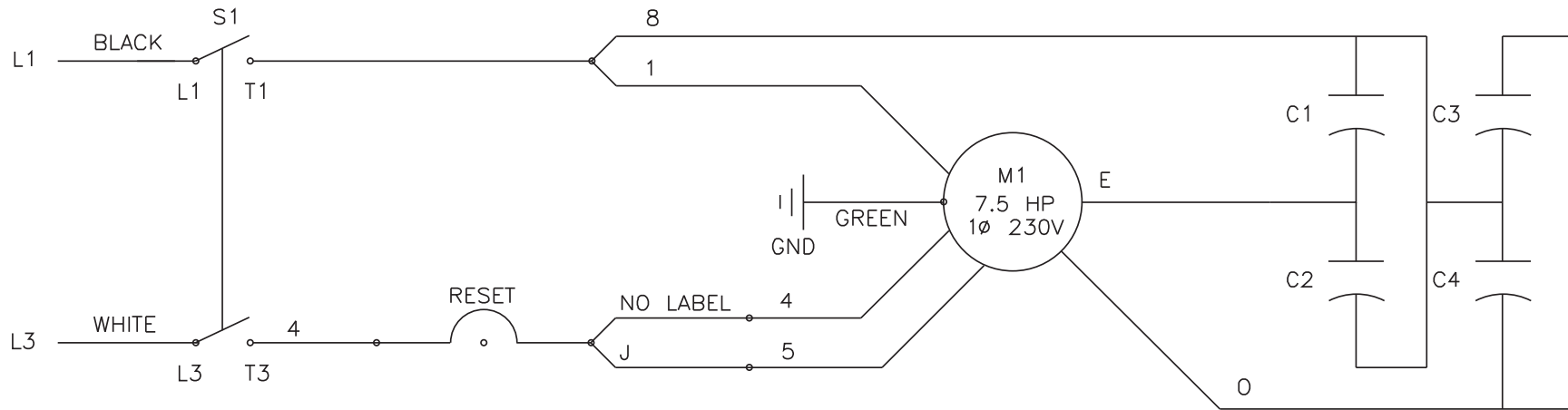
16-0001-110399-RD



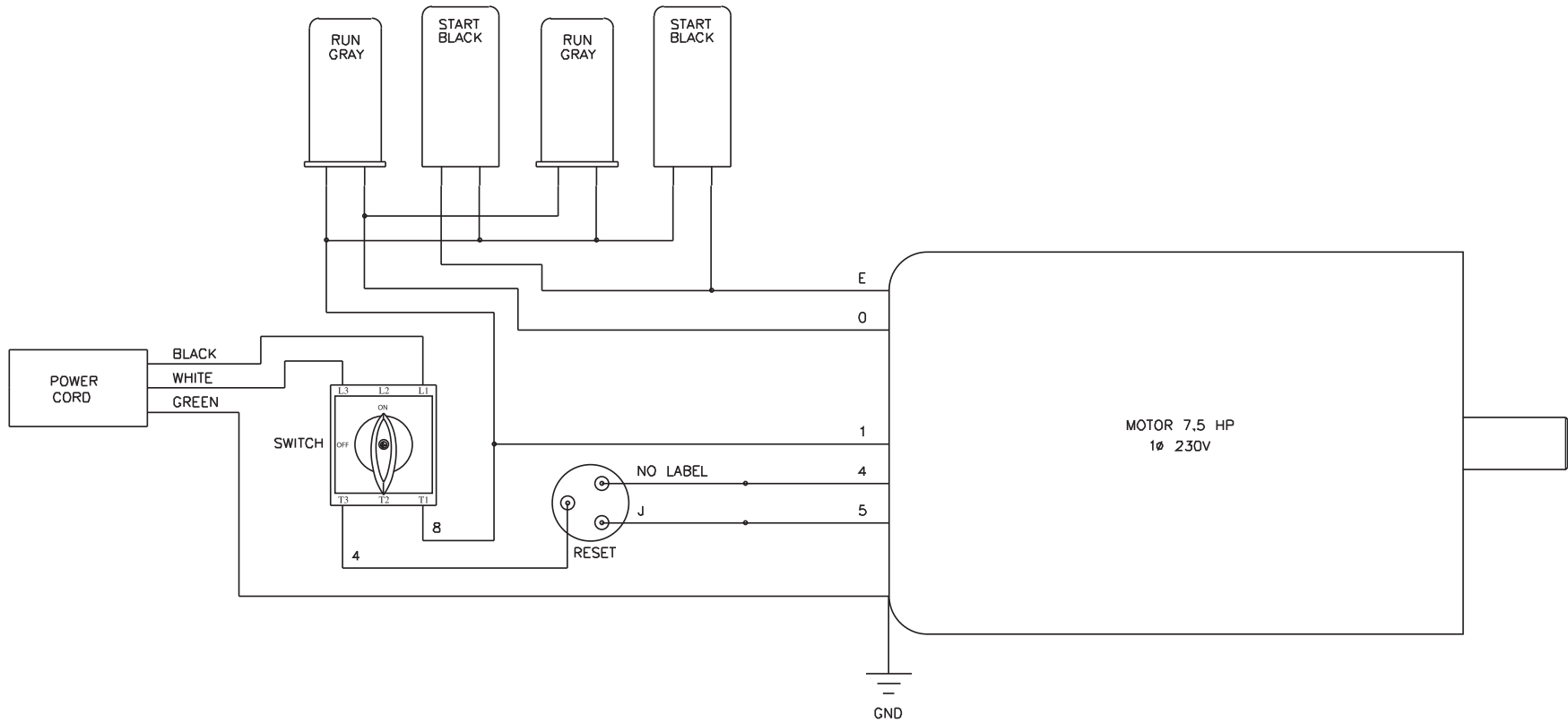
16-0001-110399-RD

<b>GUN ASSEMBLY (16-0001)</b>			
<b>REF. #</b>	<b>DESCRIPTION</b>	<b>PART #</b>	<b>QTY.</b>
1	Plastic Housing	16-0008	1
2	Screw	27-3230	2
3	Brass Housing	16-0012	1
4	Gun Repair Kit	70-0055	1
5	Brass Plug	39-0024	1
6	Plastic Cover	16-0009	1
7	Pipe Assembly	16-0013	1
8	Trigger Pin	16-0063	1
9	Trigger/Safety Lock-off	16-0010	1
10	Pipe Assembly- Inlet	16-0016	1
	Complete Gun Assembly	16-0001	1

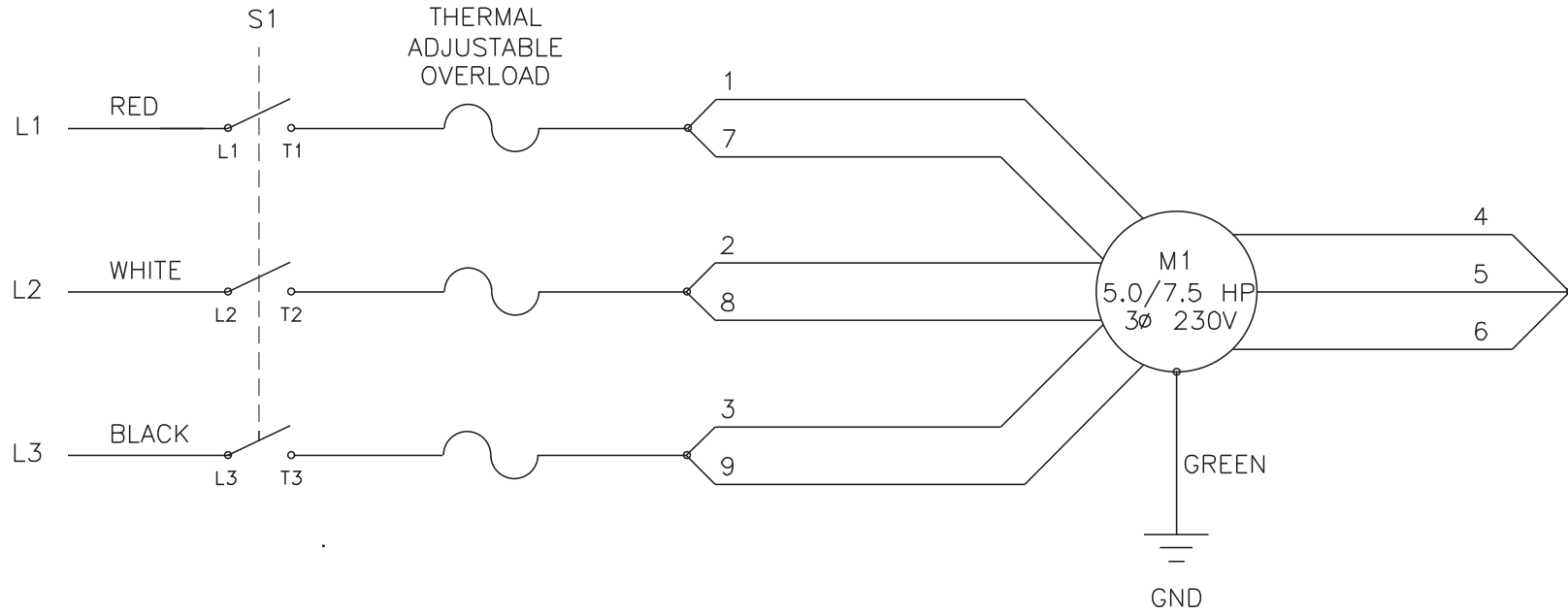
# WIRING SCHEMATIC FOR CW-2405/3004-4ME1 (230 VOLT)



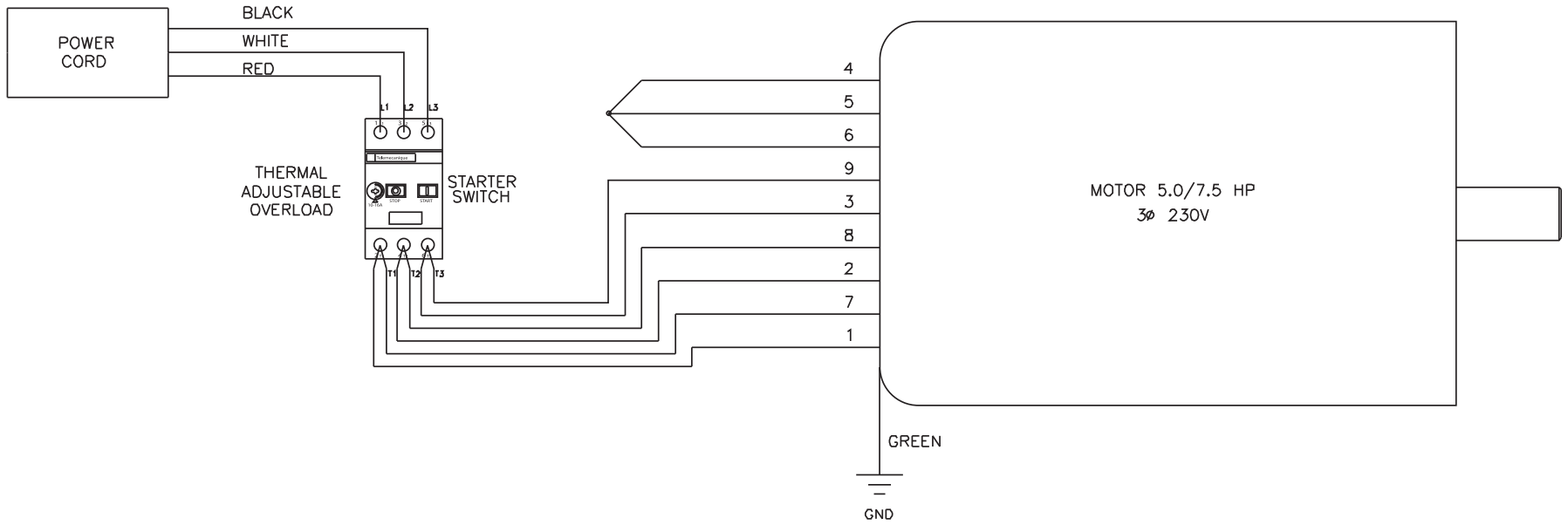
# WIRING DIAGRAM FOR CW-2405/3004-4ME1 (230 VOLT)



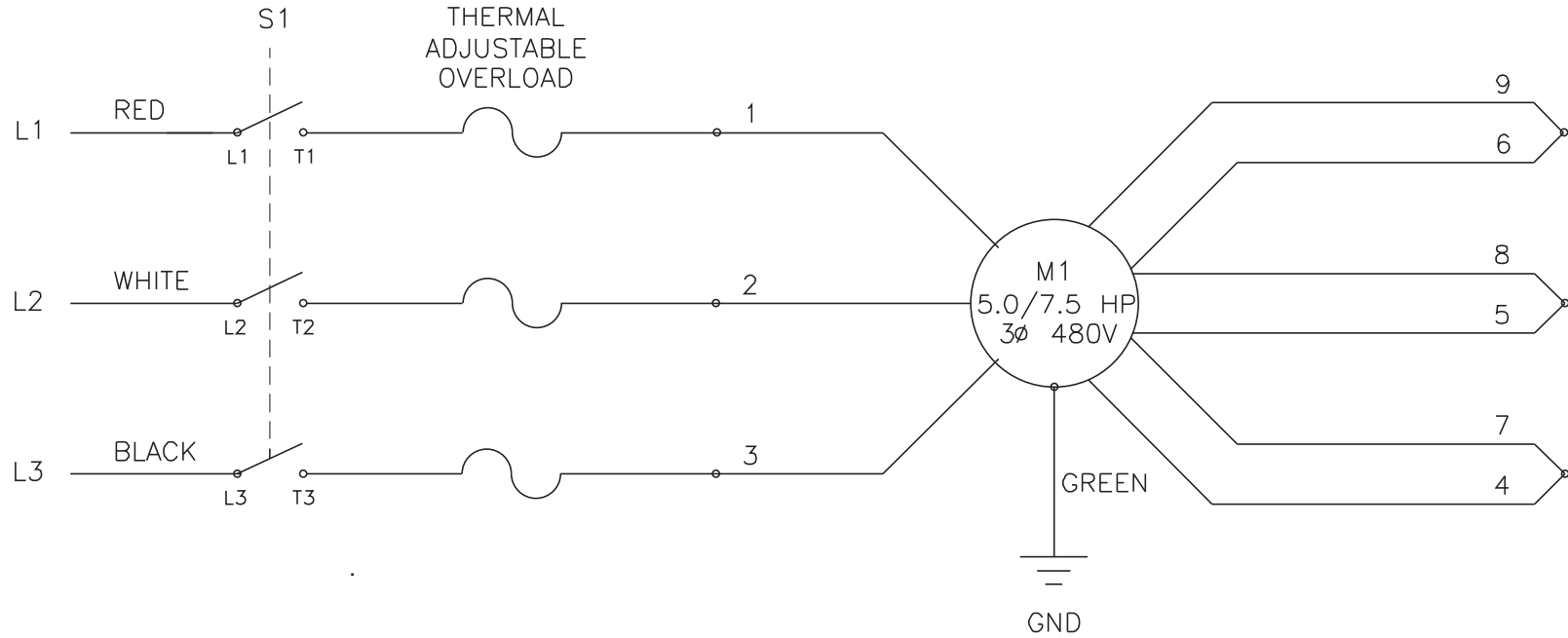
# WIRING SCHEMATIC FOR CW-2405/3004-4ME3 (230 VOLT)



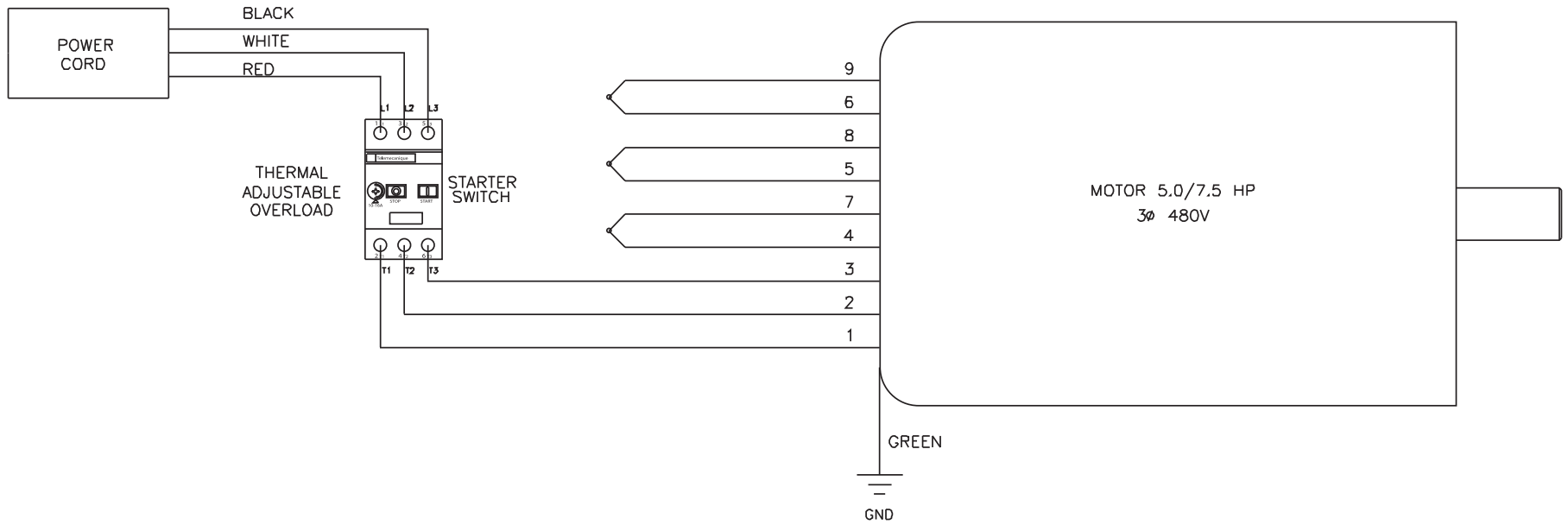
# WIRING DIAGRAM FOR CW-2405/3004-4ME3 (230 VOLT)



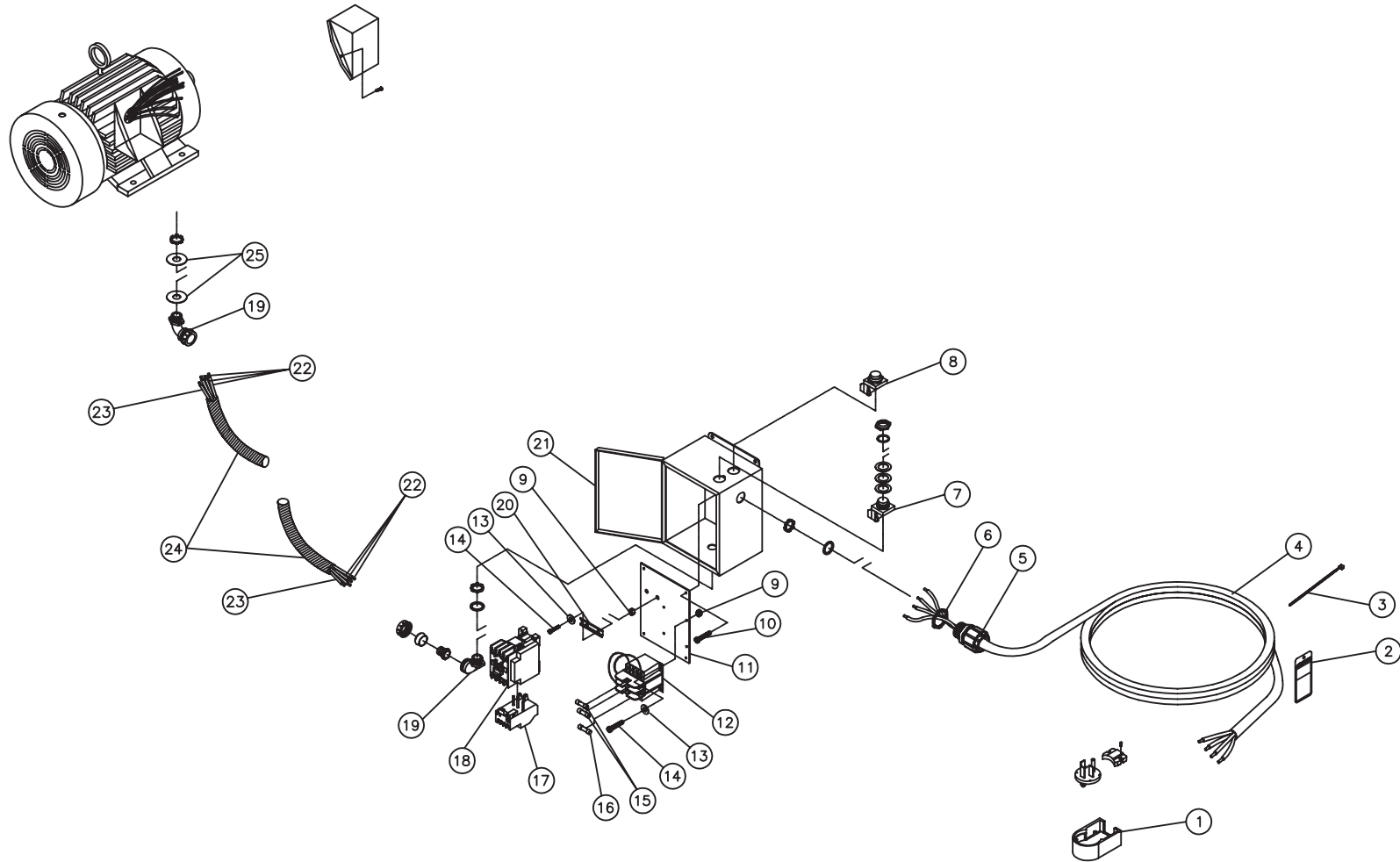
# WIRING SCHEMATIC FOR CW-2405/3004-4ME3 (CX-0003 OPTION) (460 VOLT)



# WIRING DIAGRAM FOR CW-2405/3004-4ME3 (CX-0003 OPTION) (460 VOLT)



# CW-3006-4ME3 CONTROL BOX ASSEMBLY (230 VOLT) (AFTER SERIAL #10154637)

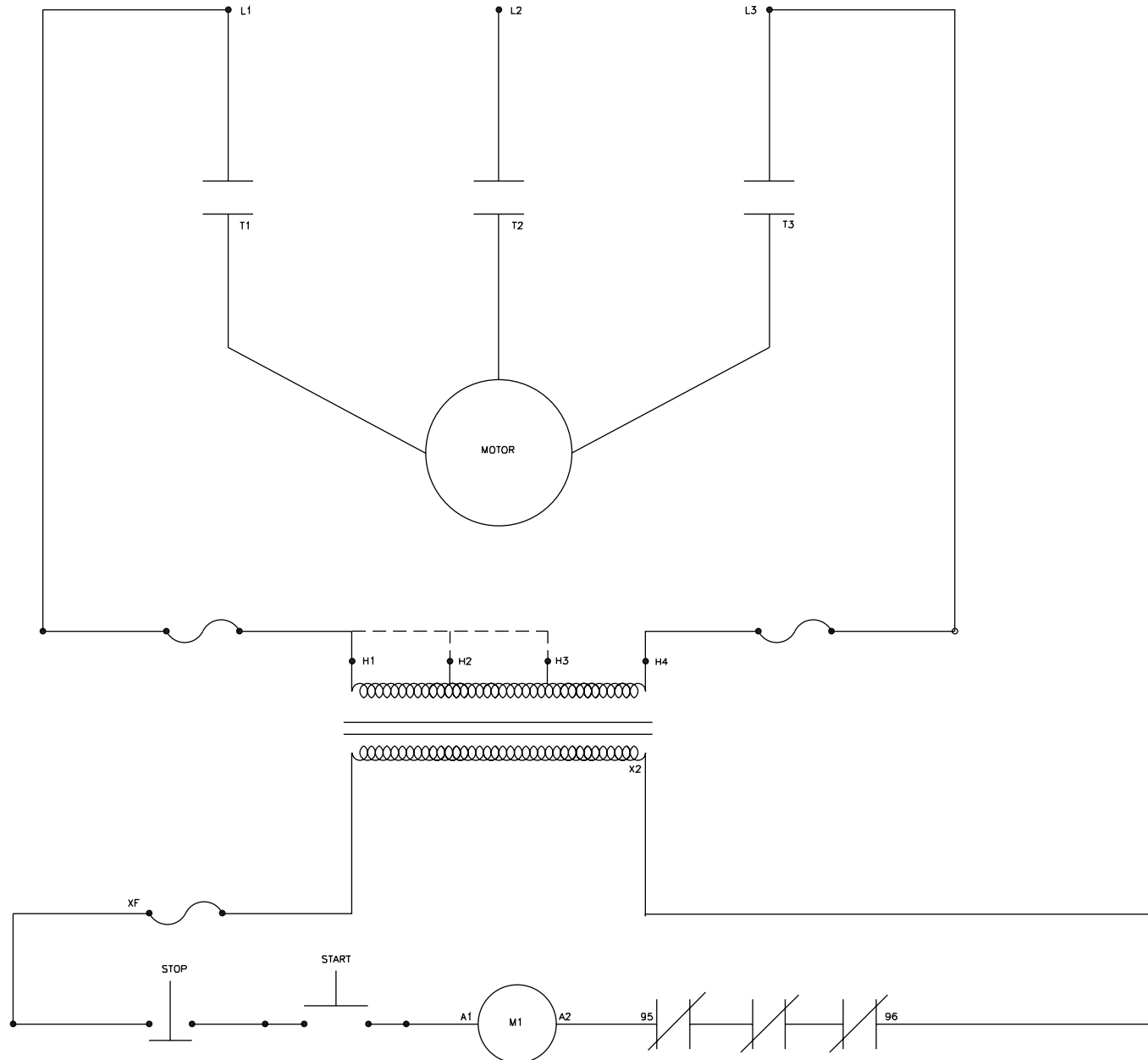


CW-A-0001-092904-AJG



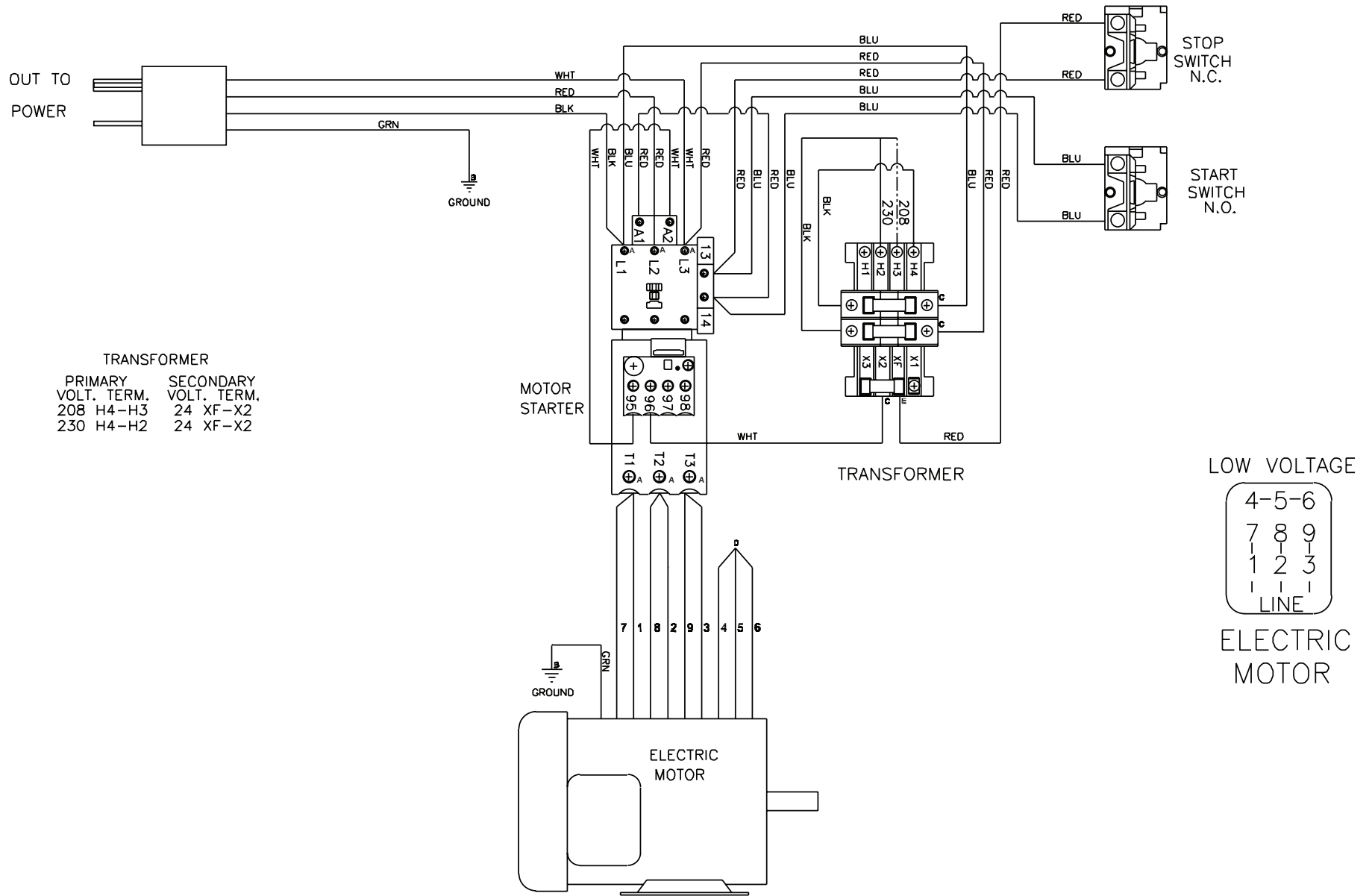
CONTROL BOX ASSEMBLY (230 VOLT) (AFTER SERIAL #10154637)							
REF #	DESCRIPTION	PART #	QTY	REF #	DESCRIPTION	PART #	QTY
1	Plug	32-0647	1	14	Bolt	27-8927	6
2	Tag- Warning: Risk of Electrocutation	34-1035	1	15	Fuse- 600V	32-0469	2
3	Cable Tie	33-0022	1	16	Fuse- 125V	32-0619	1
4	Cord *(Ten Feet Required)	32-0123	1	17	Overload Relay	32-0490	1
5	Cord Strain Relief	9-0048	1	18	Contactora	32-0598	1
6	Nut	32-0515	1	19	Conduit	32-0487	2
7	Switch- Red	32-0306	1	20	Din Rail *(One Foot Required)	32-0316	1
8	Switch- Green	32-0305	1	21	Control Box	32-0455	1
9	Locknut	30-8152	6	22	Wire- Black *(Six Feet Required)	32-0501	1
10	Bolt (See 32-0455)	N/A Sep.	4	23	Wire- Green *(Two Feet Required)	32-0622	1
11	Panel	32-0456	1	24	Conduit *(One Foot Required)	32-0486	1
12	Transformer	32-0618	1	25	Washer	32-0648	2
13	Washer	28-0010	6	*Must Order in One Foot Lengths			

# WIRING SCHEMATIC FOR CW-3006-4ME3 (230 VOLT)



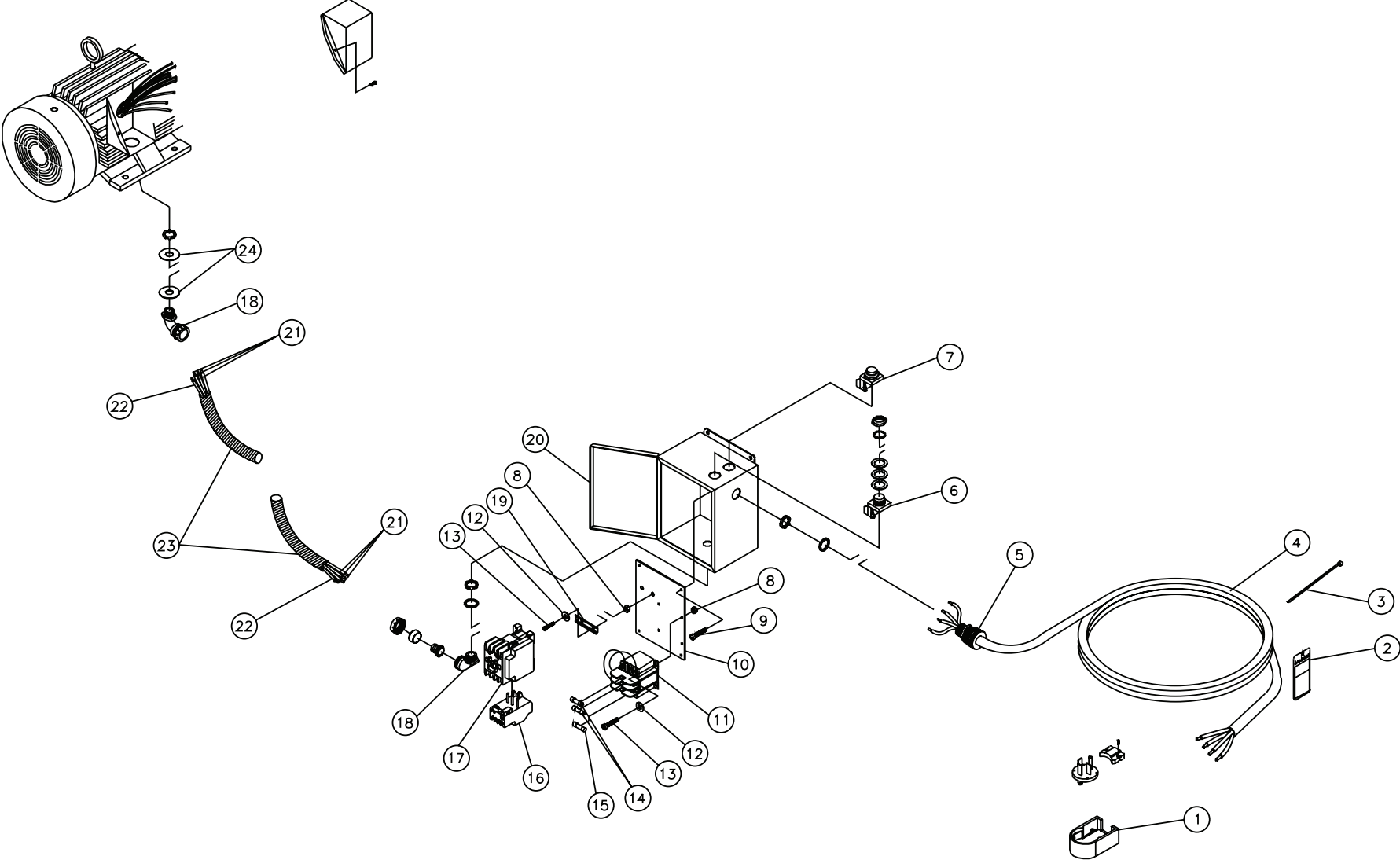
CW-WD-0001-081399-RD

# WIRING DIAGRAM FOR CW-3006-4ME3 (230 VOLT)



CW-WD-0002-070501-EDW

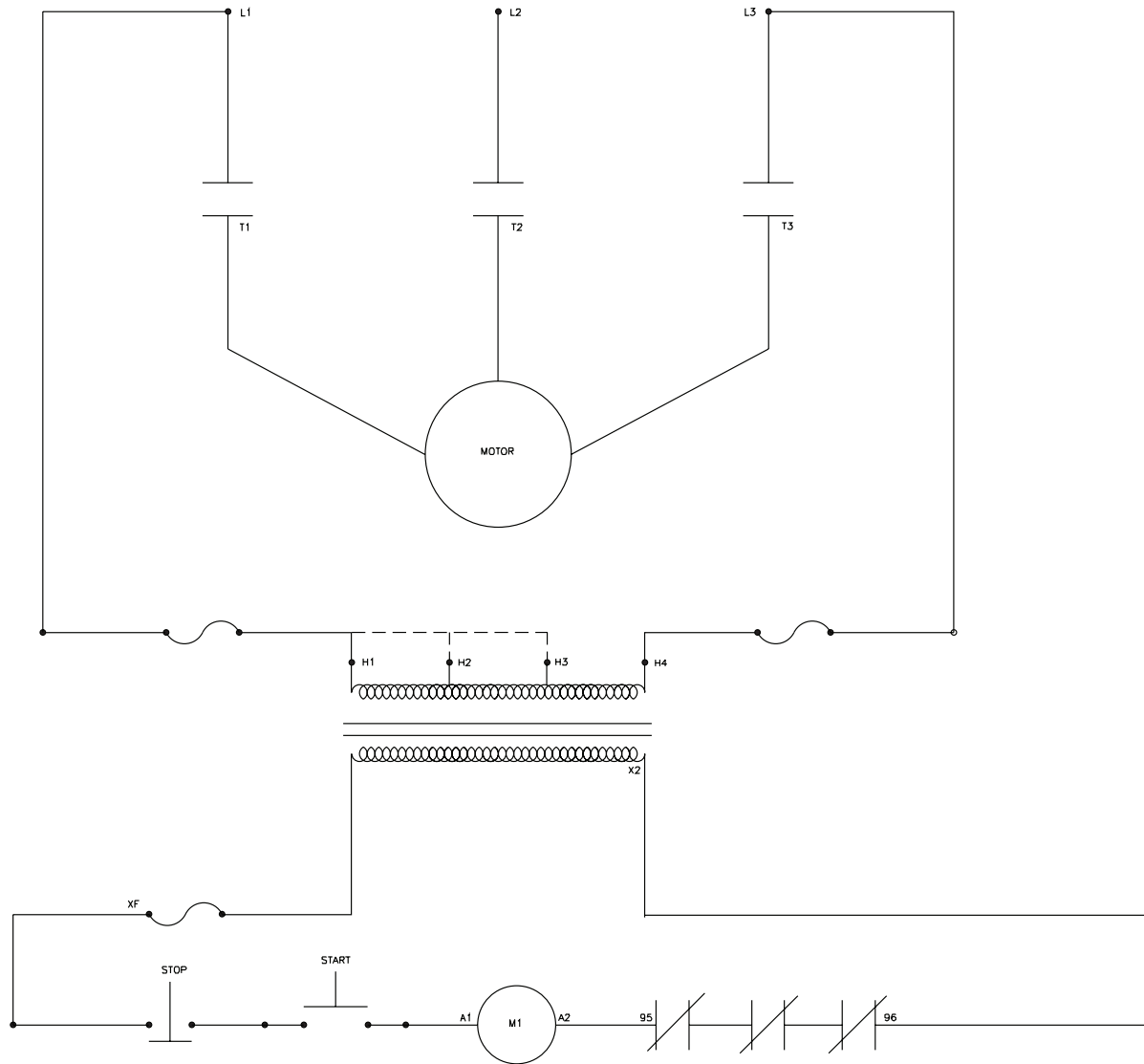
CW-3006-4ME3 CONTROL BOX ASSEMBLY (CX-0057 OPTION) (460 VOLT)



CW-A-0002-092904-AJG

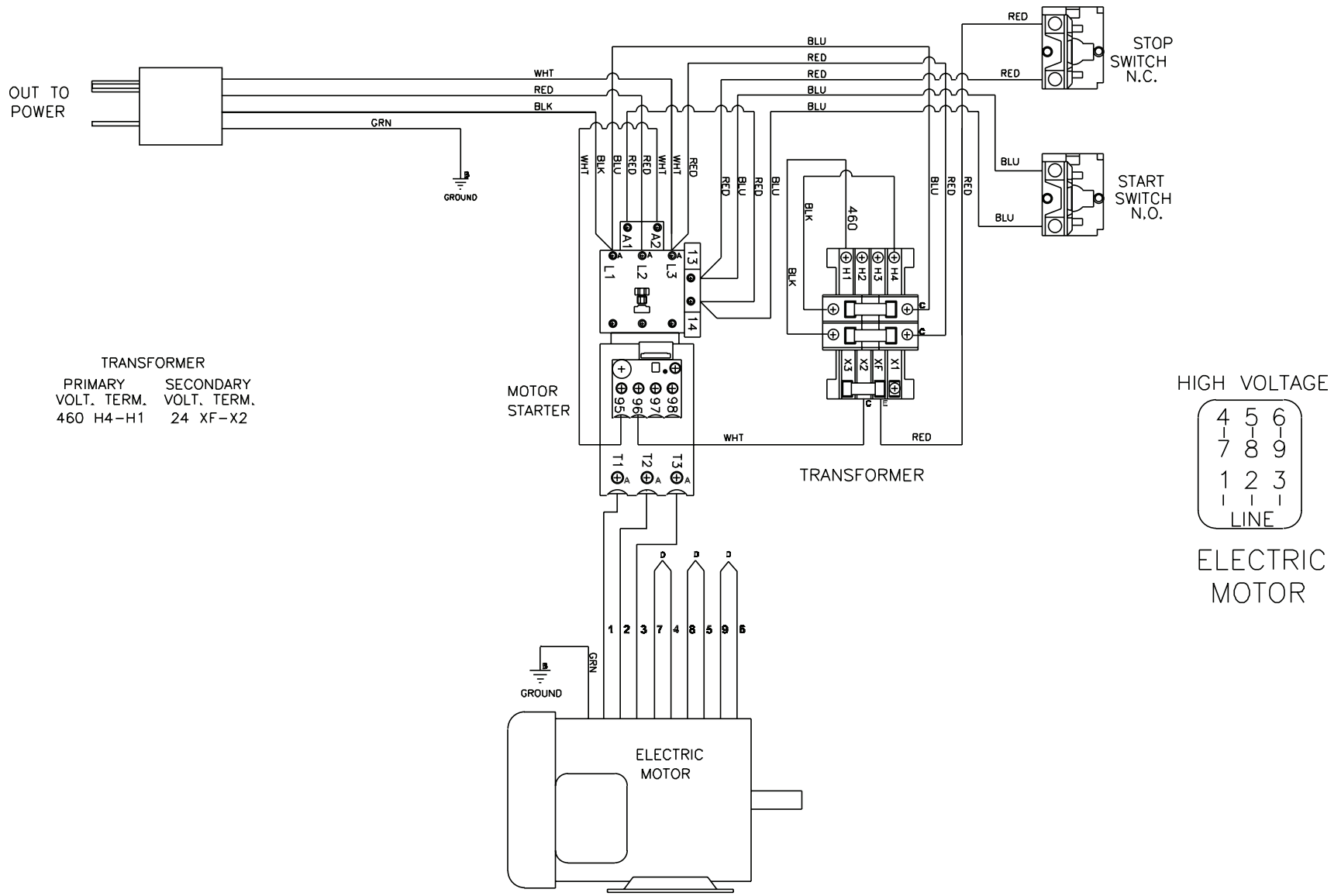
CONTROL BOX ASSEMBLY (CX-0057 OPTION) (460 VOLT)							
REF #	DESCRIPTION	PART #	QTY	REF #	DESCRIPTION	PART #	QTY
1	Plug	32-0146	1	14	Fuse- 600V	32-0325	2
2	Tag- Warning: Risk of Electrocution	34-1035	1	15	Fuse- 125V	32-0323	1
3	Cable Tie	33-0022	1	16	Overload Relay	32-0483	1
4	Cord *(Ten Feet Required)	32-0023	1	17	Contactor	32-0597	1
5	Cord Strain Relief	9-0046	1	18	Conduit	32-0487	2
6	Switch- Red	32-0306	1	19	Din Rail *(One Foot Required)	32-0316	1
7	Switch- Green	32-0305	1	20	Control Box	32-0455	1
8	Locknut	30-8152	6	21	Wire- Black *(Six Feet Required)	32-0501	1
9	Bolt (See 32-0455)	N/A Sep.	4	22	Wire- Green *(Two Feet Required)	32-0622	1
10	Panel	32-0456	1	23	Conduit *(One Foot Required)	32-0486	1
11	Transformer	32-0313	1	24	Washer	32-0648	2
12	Washer	28-0010	6	*Must Order in One Foot Lengths			
13	Bolt	27-8927	6				

# WIRING SCHEMATIC FOR CW-3006-4ME3 (460 VOLT)



CW-WD-0001-112700-RD

# WIRING DIAGRAM FOR CW-3006-4ME3 (460 VOLT)



Manufactured by Mi-T-M  
8650 Enterprise Drive, Peosta IA 52068  
563-556-7484/ Fax 563-556-1235