



***Performance Under Pressure***

PARTS LIST FOR  
***CD-1002-2MUH/C***  
***CD-1502-2MUH/C***

MOTOR HORSEPOWER:

CD-1002-2MUH/C: 1.5 HP

CD-1502-2MUH/C: 2.0 HP

PUMP OIL GRADE: Mi-T-M PUMP OIL #AW-4085-0016

PUMP OIL CAPACITY: 11.8 oz.

NOZZLE SIZE:

CD-1002-2MUH/C: 4.0

CD-1502-2MUH/C: 3.0

This Parts Listing has been compiled for your benefit. You can be assured your Mi-T-M Cold Water Pressure Washer was constructed and designed with quality and performance in mind using over 25 years experience in the pressure washer business. Each component has been rigorously tested to insure the highest level of acceptance.

The contents of this Parts Listing are based on the latest product information available at the time of publication. Mi-T-M reserves the right to make changes in price, color, materials, equipment, specifications or models at any time without notice.

**WARNING**

THIS IS A PROFESSIONAL HIGH PRESSURE, COLD WATER PRESSURE WASHER. CAUTION SHOULD BE OBSERVED WHEN USING OR REPAIRING THIS UNIT! READ AND FOLLOW THE SAFETY WARNINGS LISTED BELOW BEFORE ATTEMPTING ANY REPAIRS ON THIS PRESSURE WASHER!

**SAFETY WARNINGS**

1. NEVER alter or modify the equipment. Be sure any accessory items and system components being used will withstand the pressure developed. Use only genuine Mi-T-M parts for repair of your pressure washer. Failure to do so can cause hazardous operating conditions and will VOID warranty.
2. NEVER make adjustments on machinery while the unit is connected to the power source. Turning over the machinery by hand during adjustment or cleaning might start the machinery, causing serious injury to the operator.
3. Know how to stop and bleed pressures quickly. Be thoroughly familiar with controls.
4. Before servicing the unit, turn unit off, relieve the water pressure and allow the unit to cool down. Do not make repairs while the unit is running. Service in a clean, dry, flat area.
5. After testing the machine, DO NOT leave the pressurized unit unattended. Shut off the unit and release trapped pressure before leaving.

# Table of Contents

**SPECIFICATIONS.....3**

**FRAME ASSEMBLY FOR CD-1002/1502-2MUh .....4**

**FRAME ASSEMBLY FOR CD-1002/1502-2MUC .....6**

**MOTOR ASSEMBLY (851-0247 & 851-0248) .....8**

**PUMP ASSEMBLY (3-0278) .....10**

**UNLOADER ASSEMBLY (8-0572) .....12**

**LANCE ASSEMBLY (16-0415) .....14**

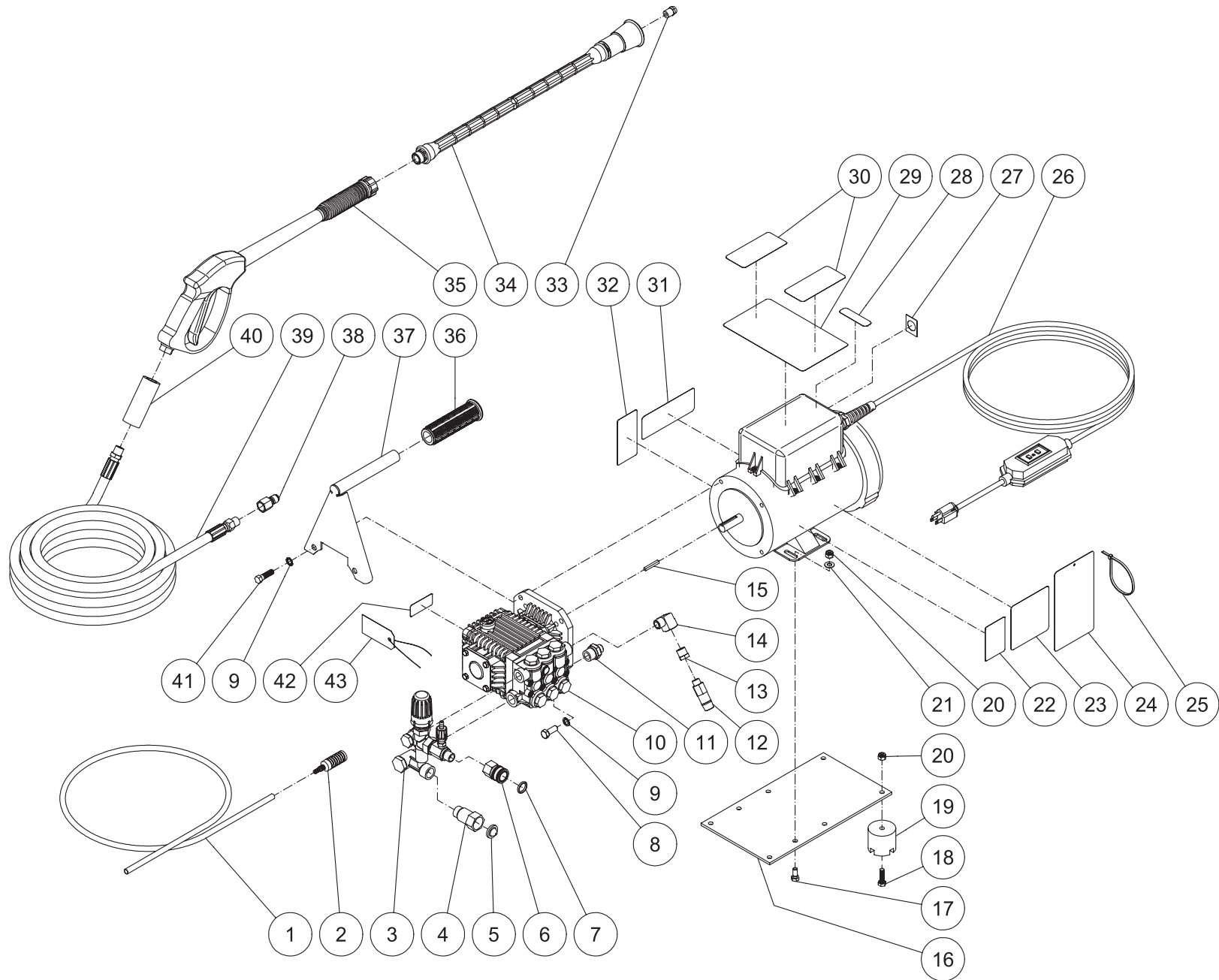
**WIRING SCHEMATIC .....16**

**WIRING Diagram.....17**

## SPECIFICATIONS

| MODEL NUMBER                         | CD-1002-2MUH   | CD-1002-2MUC   | CD-1502-2MUH  | CD-1502-2MUC   |
|--------------------------------------|--|----------------|---------------|----------------|
| <b>Operating Pressure (PSI/Bar):</b> | 1000/69  |                | 1500/103      |                |
| <b>High Pressure Nozzle:</b>         | 4.0  |                | 3.0           |                |
| <b>Water Volume (GPM/lpm):</b>       | 2.0/7.6  |                |               |                |
| <b>Motor:</b>                        | Totally enclosed fan cooled, circuit breaker thermal overload protection, 35ft. power supply cord with Ground Fault Circuit Interrupter (GFCI) |                |               |                |
| Horsepower                           | 1.5  |                | 2.0           |                |
| Voltage                              | 120  |                |               |                |
| Phase                                | Single   |                |               |                |
| Amps                                 | 12.5   |                | 17.0          |                |
| <b>Pump:</b>                         | Direct Driven, Oil Bath, Triplex Piston  |                |               |                |
| Oil Type                             | Mi-T-M Pump Oil #AW-4085-0016  |                |               |                |
| Oil Capacity (oz./liters)            | 11.8/35  |                |               |                |
| Plungers                             | Ceramic  |                |               |                |
| Manifold                             | Forged Brass   |                |               |                |
| Valves                               | Stainless Steel  |                |               |                |
| Unloader                             | Adjustable   |                |               |                |
| Pop-Off Valve                        | Relieves excess pressure   |                |               |                |
| Thermal Relief Valve                 | Relieves heated water during unloader bypass stage   |                |               |                |
| <b>Detergent Injector:</b>           | Adjustable low pressure down stream from pump  |                |               |                |
| <b>Unit Net Weight (lbs/Kg)</b>      | 50/22.5  | 100/45         | 57/26         | 100/45         |
| <b>Unit Shipping Weight (lbs/Kg)</b> | 62/28  | 115/52         | 68/31         | 115/52         |
| <b>Unit Net Dimension (in)</b>       | 21Lx13Wx14.5H  | 32Lx18Wx22.5H  | 21Lx13Wx14.5H | 32Lx18Wx22.5H  |
| <b>Unit Net Dimension (cm)</b>       | 53Lx33Wx37H  | 81Lx45.75Wx57H | 53Lx33Wx37H   | 81Lx45.75Wx57H |
| <b>Unit Shipping Dimension (in)</b>  | 24.5Lx13Wx16H  | 33Lx21Wx24H    | 24.5Lx13Wx16H | 33Lx21Wx24H    |
| <b>Unit Shipping Dimension (cm)</b>  | 62Lx33Wx40.5H  | 84Lx53Wx61H    | 62Lx33Wx40.5H | 84Lx53Wx61H    |

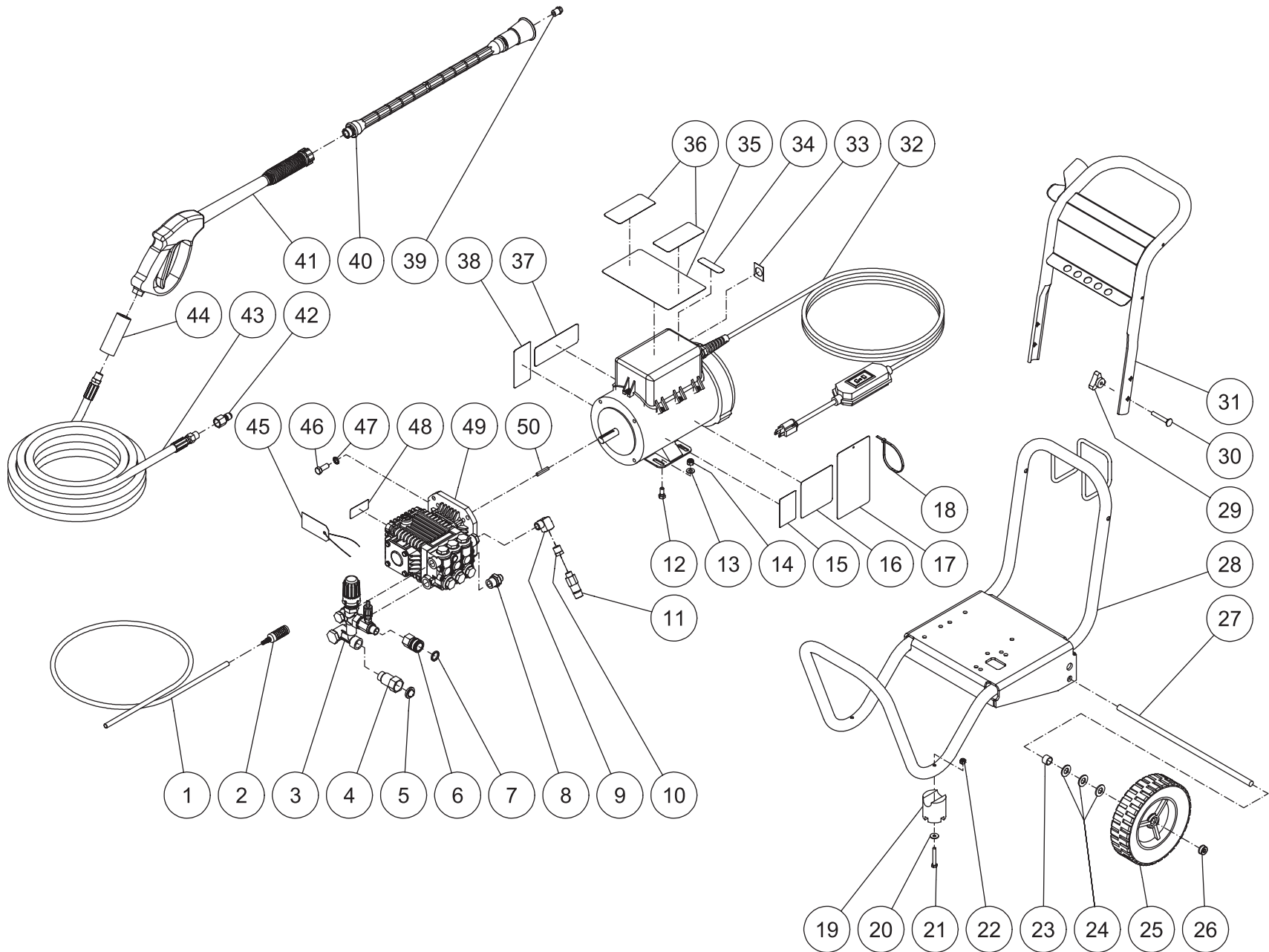
# FRAME ASSEMBLY FOR CD-1002/1502-2MUH



CD-1002/1502-2MUH-033108-JJT

| FRAME ASSEMBLY FOR CD-1002/1502-2MUH |  |           |      |                                 |   |           |      |
|--------------------------------------|--|-----------|------|---------------------------------|---|-----------|------|
| REF. #                               | DESCRIPTION  | PART #    | QTY. | REF. #                          | DESCRIPTION   | PART #    | QTY. |
| 1                                    | Detergent Hose *(Four Feet Required)               | 15-0021   | 1    | 25                              | Cable Tie   | 33-0022   | 1    |
| 2                                    | Detergent Strainer                                 | 19-0050   | 1    | 26                              | Motor Assembly- 1.5 HP (CD-1002-2MUH)                     | 851-0247  | 1    |
| 3                                    | Unloader   | 8-0572    | 1    | -                               | Motor Assembly- 2.0 HP (CD-1502-2MUH)                     | 851-0248  | 1    |
| 4                                    | Garden Hose Swivel                                 | 23-0445   | 1    | 27                              | Decal- On/Off (See 34-9015)                               | N/A Sep.  | 1    |
| 5                                    | Inlet Filter                                       | 19-0001   | 1    | 28                              | Decal- Warning: Backflow Protection (See 34-9015)         | N/A Sep.  | 1    |
| 6                                    | Quick Connect Socket                               | 17-0004   | 1    | 29                              | Decal- Warning: Risk of Electrocutation (See 34-9015)     | N/A Sep.  | 1    |
| 7                                    | O-ring (Replacement Only)                          | 25-0123   | -    | 30                              | Decal- Mi-T-M CD-1002 (CD-1002-2MUH)                      | 34-0629   | 2    |
| 8                                    | Bolt   | 27-0117   | 2    | -                               | Decal- Mi-T-M CD-1502 (CD-1502-2MUH)                      | 34-0630   | 2    |
| 9                                    | Lockwasher   | 29-0155   | 4    | 31                              | Decal- Warning: Risk of Injection/Explosion (See 34-9015) | N/A Sep.  | 1    |
| 10                                   | Pump   | 3-0278    | 1    | 32                              | Decal- Date Plate   | N/A       | 1    |
| 11                                   | Thermal Relief Valve                               | 22-0371   | 1    | 33                              | Nozzle- 1504 (CD-1002-2MUH)                               | 18-0054   | 1    |
| 12                                   | Pop-Off Valve                                      | 22-0046   | 1    | -                               | Nozzle- 1503 (CD-1502-2MUH)                               | 18-0053   | 1    |
| 13                                   | Bushing  | 23-0017   | 1    | 34                              | Lance Assembly  | 16-0415   | 1    |
| 14                                   | Elbow  | 23-0034   | 1    | 35                              | Gun   | 16-0445   | 1    |
| 15                                   | Key  | 43-0072   | 1    | 36                              | Handle Grip   | 7-0059    | 1    |
| 16                                   | Baseplate  | 5-0110A01 | 1    | 37                              | Handle Assembly   | 7-0078A01 | 1    |
| 17                                   | Bolt   | 27-0066   | 4    | 38                              | Quick Connect Plug  | 17-0006   | 1    |
| 18                                   | Bolt   | 27-0068   | 4    | 39                              | High Pressure Hose  | 15-0138   | 1    |
| 19                                   | Isolator   | 14-0008   | 4    | 40                              | Foam Covering *(One Foot Required)                        | 7-0046    | 1    |
| 20                                   | Locknut  | 30-0157   | 8    | 41                              | Bolt  | 27-0118   | 2    |
| 21                                   | Washer   | 28-0003   | 4    | 42                              | Decal- Important Pump Instructions (See 34-9015)          | N/A Sep.  | 1    |
| 22                                   | Decal- Caution: Hot Water (See 34-9015)            | N/A Sep.  | 1    | 43                              | Tag- Remove Red Plug                                      | 34-1067   | 1    |
| 23                                   | Decal- Caution/Important (See 34-9015)             | N/A Sep.  | 1    |                                 | Safety Decal Kit (Inc. 22-23, 27-29, 31, 42)              | 34-9015   |      |
| 24                                   | Hang Tag- Warning: Risk of Electrocutation (E/F/S) | 34-1035   | 1    | *Must Order in One Foot Lengths |   |           |      |

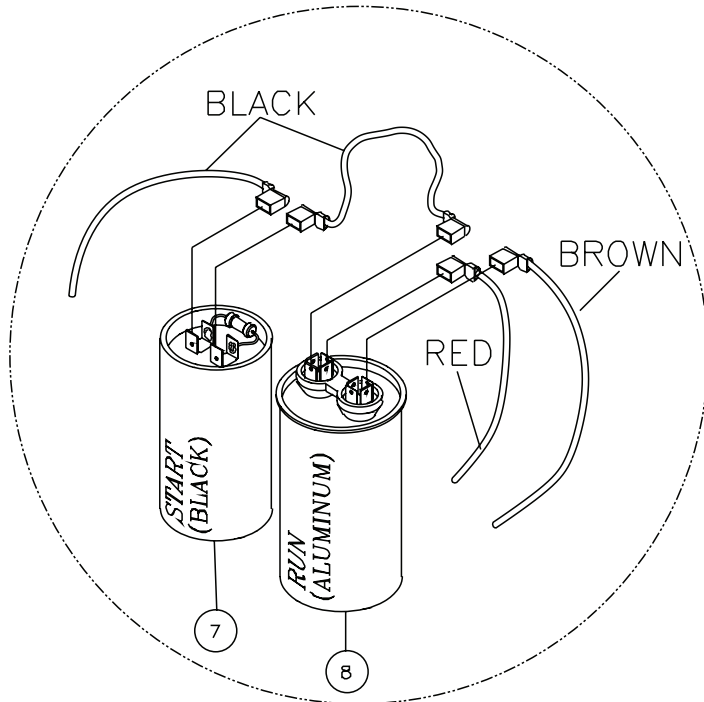
# FRAME ASSEMBLY FOR CD-1002/1502-2MUC



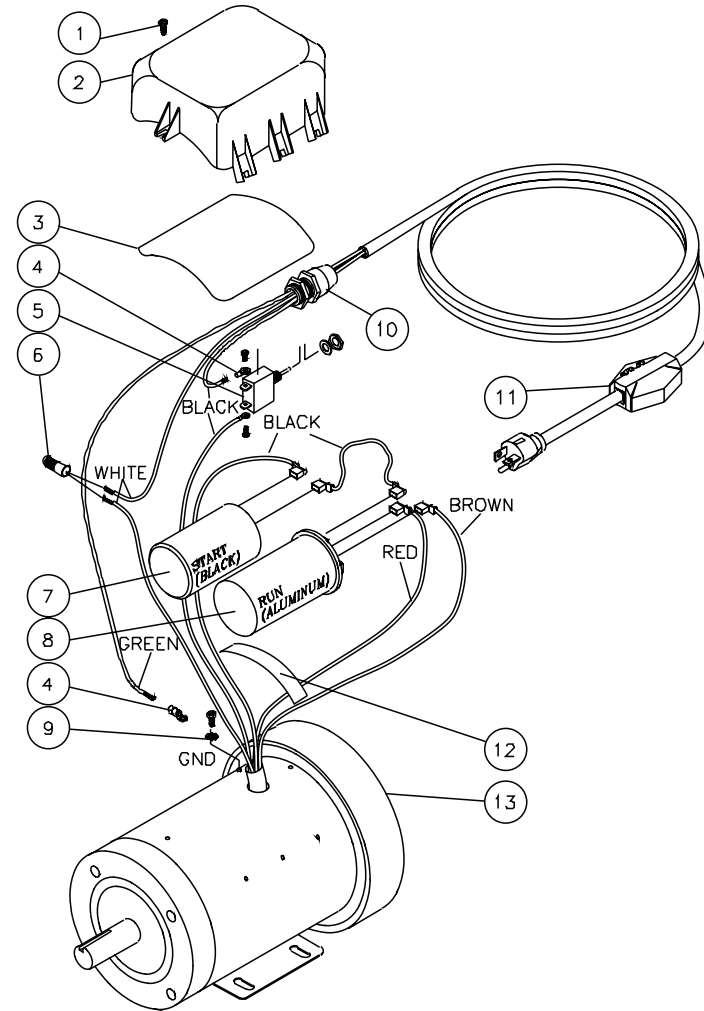
CD-1002/1502-2MUC-0331080-JJT

| FRAME ASSEMBLY FOR CD-1002/1502-2MUC |  |            |      |        |   |           |      |
|--------------------------------------|--|------------|------|--------|---|-----------|------|
| REF. #                               | DESCRIPTION                                      | PART #     | QTY. | REF. # | DESCRIPTION   | PART #    | QTY. |
| 1                                    | Detergent Hose *(Four Feet Required)             | 15-0021    | 1    | 28     | Frame Assembly  | 5-0148A01 | 1    |
| 2                                    | Detergent Strainer                               | 19-0050    | 1    | 29     | Knob  | 7-0107    | 2    |
| 3                                    | Unloader   | 8-0572     | 1    | 30     | Carriage Bolt   | 31-0051   | 2    |
| 4                                    | Garden Hose Swivel                               | 23-0445    | 1    | 31     | Handle Assembly   | 7-0158A01 | 1    |
| 5                                    | Inlet Filter                                     | 19-0001    | 1    | 32     | Motor Assembly- 1.5 HP (CD-1002-2MUH)                     | 851-0247  | 1    |
| 6                                    | Quick Connect Socket                             | 17-0004    | 1    | -      | Motor Assembly- 2.0 HP (CD-1502-2MUH)                     | 851-0248  | 1    |
| 7                                    | O-ring (Replacement Only)                        | 25-0123    | -    | 33     | Decal- On/Off (See 34-9015)                               | N/A Sep.  | 1    |
| 8                                    | Thermal Relief Valve                             | 22-0371    | 1    | 34     | Decal- Warning: Backflow Protection (See 34-9015)         | N/A Sep.  | 1    |
| 9                                    | Elbow  | 23-0034    | 1    | 35     | Decal- Warning: Risk of Electrocution (See 34-9015)       | N/A Sep.  | 1    |
| 10                                   | Bushing  | 23-0017    | 1    | 36     | Decal- Mi-T-M CD-1002 (CD-1002-2MUH)                      | 34-0629   | 2    |
| 11                                   | Pop-Off Valve                                    | 22-0046    | 1    | -      | Decal- Mi-T-M CD-1502 (CD-1502-2MUH)                      | 34-0630   | 2    |
| 12                                   | Bolt   | 27-0066    | 4    | 37     | Decal- Warning: Risk of Injection/Explosion (See 34-9015) | N/A Sep.  | 1    |
| 13                                   | Washer   | 28-0003    | 4    | 38     | Decal- Date Plate   | N/A       | 1    |
| 14                                   | Locknut  | 30-0157    | 4    | 39     | Nozzle- 1504 (CD-1002-2MUH)                               | 18-0054   | 1    |
| 15                                   | Decal- Caution: Hot Water (See 34-9015)          | N/A Sep.   | 1    | -      | Nozzle- 1503 (CD-1502-2MUH)                               | 18-0053   | 1    |
| 16                                   | Decal- Caution/Important (See 34-9015)           | N/A Sep.   | 1    | 40     | Lance Assembly  | 16-0415   | 1    |
| 17                                   | Hang Tag- Warning: Risk of Electrocution (E/F/S) | 34-1035    | 1    | 41     | Gun   | 16-0445   | 1    |
| 18                                   | Cable Tie  | 33-0022    | 1    | 42     | Quick Connect Plug  | 17-0006   | 1    |
| 19                                   | Isolator   | 14-0066    | 2    | 43     | High Pressure Hose  | 15-0138   | 1    |
| 20                                   | Washer   | 28-0021    | 2    | 44     | Foam Covering *(One Foot Required)                        | 7-0046    | 1    |
| 21                                   | Bolt   | 27-0019    | 2    | 45     | Tag- Remove Red Plug                                      | 34-1067   | 1    |
| 22                                   | Locknut  | 30-0155    | 2    | 46     | Bolt  | 27-0117   | 4    |
| 23                                   | Axle Spacer                                      | 20-0406A01 | 2    | 47     | Lockwasher  | 29-0155   | 4    |
| 24                                   | Washer   | 28-0006    | 5    | 48     | Decal- Important Pump Instructions (See 34-9015)          | N/A Sep.  | 1    |
| 25                                   | Wheel  | 14-0052    | 2    | 49     | Pump  | 3-0278    | 1    |
| 26                                   | Hub Cap  | 33-0055    | 2    | 50     | Key   | 43-0072   | 1    |
| 27                                   | Axle   | 20-0517    | 1    |        | Safety Decal Kit (Inc. 15-16, 33-35, 37, 48)              | 34-9015   |      |
| *Must Order in One Foot Lengths      |  |            |      |        |   |           |      |

# MOTOR ASSEMBLY (851-0247 & 851-0248)



CAPACITOR TERMINAL ASSEMBLY

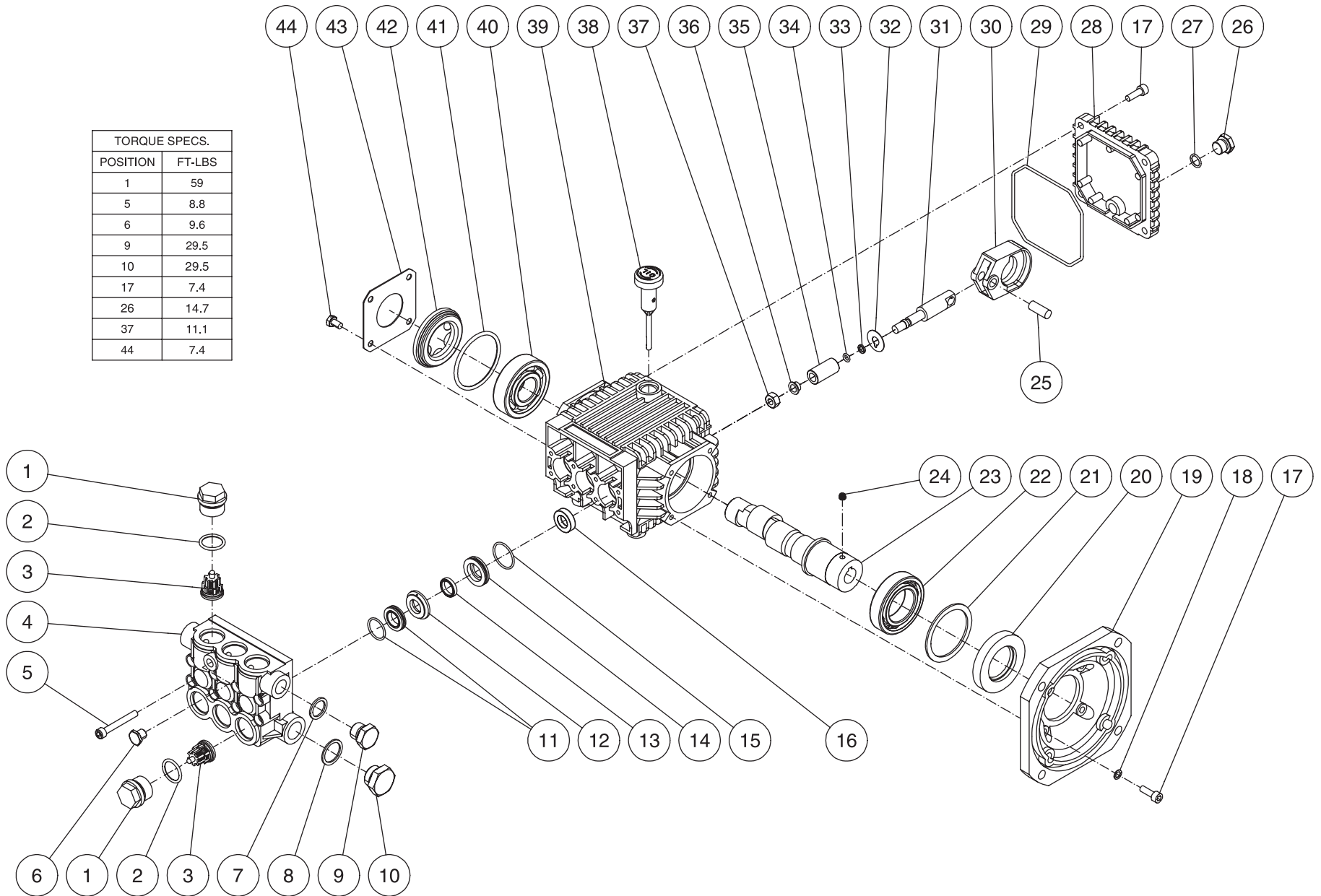




| <b>MOTOR ASSEMBLY (851-0247 &amp; 851-0248)</b> |                                     |               |             |
|---|-------------------------------------|---------------|-------------|
| <b>REF. #</b>                                   | <b>DESCRIPTION</b>                  | <b>PART #</b> | <b>QTY.</b> |
| 1   | Hex Screw                           | 27-8389       | 8           |
| 2   | Motor Box                           | 52-0041       | 1           |
| 3   | O-ring                              | 25-0338       | 1           |
| 4   | Terminal                            | 32-0099       | 2           |
| 5   | Switch for 851-0247 (15 Amp)        | 32-0408       | 1           |
| -   | Switch for 851-0248 (20 Amp)        | 32-0348       | 1           |
| 6   | Crimp Splice                        | 32-0359       | 1           |
| 7   | Starting Capacitor for 851-0247     | 32-0411       | 1           |
| -   | Starting Capacitor for 851-0248     | 32-0412       | 1           |
| 8   | Running Capacitor                   | 32-0413       | 1           |
| 9   | Lockwasher                          | 28-1009       | 1           |
| 10  | Strain Relief                       | 32-0407       | 1           |
| 11  | GFCI Cord for 851-0247 (15 Amp)     | 32-0268       | 1           |
| -   | GFCI Cord for 851-0248 (20 Amp)     | 32-0215       | 1           |
| 12  | Motor Box Strap                     | 52-0042       | 1           |
| 13  | Motor- 1.5 H.P. (See 851-0247)      | N/A Sep.      | 1           |
| -   | Motor- 2.0 H.P. (See 851-0248)      | N/A Sep.      | 1           |
|   | Complete Motor Assembly (Inc. 1-13) | 851-0247      |             |
|   | Complete Motor Assembly (Inc. 1-13) | 851-0248      |             |

# PUMP ASSEMBLY (3-0278)

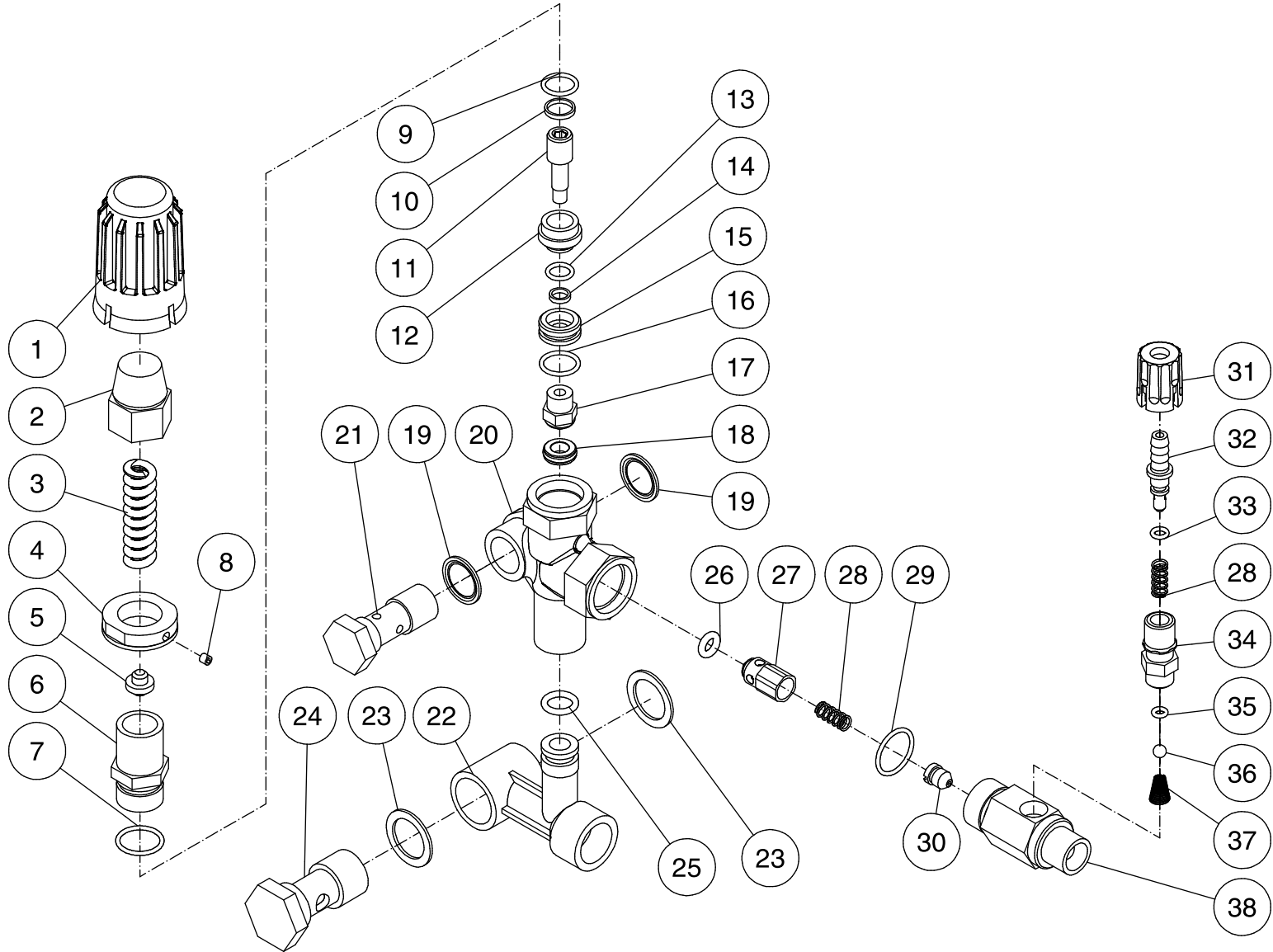
| TORQUE SPECS. |        |
|---------------|--------|
| POSITION      | FT-LBS |
| 1             | 59     |
| 5             | 8.8    |
| 6             | 9.6    |
| 9             | 29.5   |
| 10            | 29.5   |
| 17            | 7.4    |
| 26            | 14.7   |
| 37            | 11.1   |
| 44            | 7.4    |



3-0278-012706-JJT

| PUMP ASSEMBLY (3-0278) |  |          |      |        |                                      |         |      |
|------------------------|--|----------|------|--------|--------------------------------------|---------|------|
| REF. #                 | DESCRIPTION  | PART #   | QTY. | REF. # | DESCRIPTION                          | PART #  | QTY. |
| 1                      | Valve Cap  | 39-0223  | 6    | 25     | Wrist Pin                            | 46-1226 | 3    |
| 2                      | O-ring   | 25-0012  | 6    | 26     | Plug                                 | 39-0017 | 1    |
| 3                      | Valve Assembly (See 70-0028)                           | N/A Sep. | 6    | 27     | O-ring                               | 25-0014 | 1    |
| 4                      | Manifold   | 46-1223  | 1    | 28     | Rear Crankcase Cover                 | 46-1227 | 1    |
| 5                      | Bolt   | 27-8407  | 8    | 29     | O-ring                               | 25-0593 | 1    |
| 6                      | Plug   | 39-0032  | 1    | 30     | Connecting Rod                       | 46-1228 | 3    |
| 7                      | Washer   | 28-0600  | 1    | 31     | Plunger Guide                        | 46-1229 | 3    |
| 8                      | Washer   | 28-1038  | 1    | 32     | Washer                               | 46-0167 | 3    |
| 9                      | Plug   | 39-0018  | 1    | 33     | Anti-Extrusion Ring                  | 25-0143 | 3    |
| 10                     | Plug   | 39-0019  | 1    | 34     | O-ring                               | 25-0337 | 3    |
| 11                     | High Pressure Seal w/ O-ring (See 70-0448)             | N/A Sep. | 3    | 35     | Plunger                              | 46-1230 | 3    |
| 12                     | High Pressure Intermediate Seal Retainer (See 70-0448) | N/A Sep. | 3    | 36     | Gasket Washer                        | 46-1231 | 3    |
| 13                     | Low Pressure Seal (See 70-0448)                        | N/A Sep. | 3    | 37     | Nut                                  | 46-0168 | 3    |
| 14                     | Low Pressure Seal Retainer (See 70-0448)               | N/A Sep. | 3    | 38     | Dipstick                             | 46-0143 | 1    |
| 15                     | O-ring (See 70-0448)                                   | N/A Sep. | 3    | 39     | Crankcase                            | 46-1232 | 1    |
| 16                     | Oil Seal   | 26-0111  | 3    | 40     | Ball Bearing                         | 48-0013 | 1    |
| 17                     | Bolt   | 27-8409  | 8    | 41     | O-ring                               | 25-0060 | 1    |
| 18                     | Lockwasher   | 29-0153  | 4    | 42     | Oil Level Indicator                  | 46-0574 | 1    |
| 19                     | Pump Flange  | 38-0032  | 1    | 43     | Oil Level Retainer                   | 46-0084 | 1    |
| 20                     | Seal   | 26-0052  | 1    | 44     | Bolt                                 | 27-8000 | 4    |
| 21                     | Spacer   | 46-1224  | 1    |        | Packing Assembly (11-15)             | 70-0448 |      |
| 22                     | Ball Bearing   | 48-0011  | 1    |        | Packing Kit (Inc. 3 each 11, 13, 15) | 70-0447 |      |
| 23                     | Crankshaft   | 46-1225  | 1    |        | Valve Kit (Inc. 6 each 3)            | 70-0028 |      |
| 24                     | Bolt   | 27-8886  | 1    |        | Oil Seals Kit (Inc. 3 each 17)       | 70-0015 |      |

# UNLOADER ASSEMBLY (8-0572)



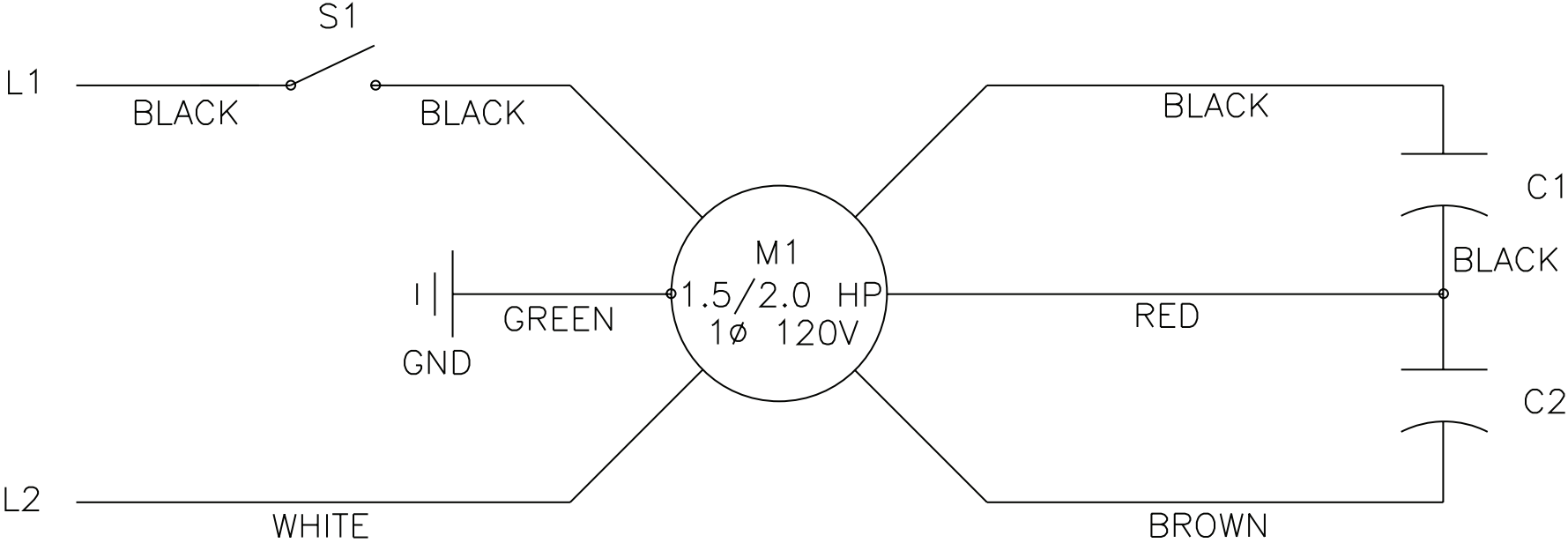
8-0572-012706-JJT

## UNLOADER ASSEMBLY (8-0572)

| REF. # | DESCRIPTION               | PART #   | QTY. | REF. # | DESCRIPTION   | PART #   | QTY. |
|--------|---------------------------|----------|------|--------|---|----------|------|
| 1      | Adjusting Knob            | 7-0199   | 1    | 21     | Bolt  | 8-0582   | 1    |
| 2      | Adjusting Cap             | 8-0573   | 1    | 22     | Inlet Manifold  | N/A Sep. | 1    |
| 3      | Spring                    | 49-0163  | 1    | 23     | Sealing Washer  | 28-1052  | 2    |
| 4      | Ring Nut                  | 8-0574   | 1    | 24     | Bolt  | 8-0583   | 1    |
| 5      | Spring Guide Pin          | 8-0575   | 1    | 25     | O-ring (See 70-0442)  | N/A Sep. | 1    |
| 6      | Piston Holder             | 8-0576   | 1    | 26     | O-ring (See 70-0442)  | N/A Sep. | 1    |
| 7      | O-ring (See 70-0442)      | N/A Sep. | 1    | 27     | Shutter Pin   | 8-0584   | 1    |
| 8      | Set Screw                 | 8-0479   | 1    | 28     | Spring  | 49-0056  | 2    |
| 9      | O-ring (See 70-0442)      | N/A Sep. | 1    | 29     | O-ring (See 70-0442)  | N/A Sep. | 1    |
| 10     | Backup Ring (See 70-0442) | N/A Sep. | 1    | 30     | Orifice   | 50-0146  | 1    |
| 11     | Piston                    | 8-0577   | 1    | 31     | Adjustment Knob   | 50-0158  | 1    |
| 12     | Spacer Ring               | 8-0578   | 1    | 32     | Adjustable Shutter  | 50-0157  | 1    |
| 13     | O-ring (See 70-0442)      | N/A Sep. | 1    | 33     | O-ring  | 25-0187  | 1    |
| 14     | Backup Ring (See 70-0442) | N/A Sep. | 1    | 34     | Piston Retainer   | 50-0156  | 1    |
| 15     | Spacer Ring               | 8-0579   | 1    | 35     | O-ring  | 25-0045  | 1    |
| 16     | O-ring (See 70-0442)      | N/A Sep. | 1    | 36     | Ball (See 852-0056)   | N/A Sep. | 1    |
| 17     | Shutter Pin               | 8-0580   | 1    | 37     | Spring  | 49-0057  | 1    |
| 18     | Seat                      | 8-0581   | 1    | 38     | Injector Body   | N/A      | 1    |
| 19     | Washer                    | 8-0427   | 2    |        | Unloader Repair Kit (Inc. 7, 9, 10, 13, 14, 16, 17, 25, 26, 29) | 70-0442  |      |
| 20     | Unloader Body             | N/A Sep. | 1    |        | Injector Repair Kit (Inc. 33, 35, 36, 37)                       | 852-0056 |      |

WIRING SCHEMATIC

SCHEMATIC



OMCWU189S -061295-DCE

# WIRING DIAGRAM

DIAGRAM

