



# Illustrated Parts List

## Model Series

# 245400

TYPE NUMBERS  
0035 THROUGH 0580.

### TABLE OF CONTENTS

<b>Air Cleaner</b> .....	13, 14
<b>Blower Housing</b> .....	20
<b>Camshaft</b> .....	7
<b>Carburetor</b> .....	10, 11, 12
<b>Controls</b> .....	8, 9
<b>Control Panel</b> .....	19
<b>Crankcase Cover</b> .....	4
<b>Crankshaft</b> .....	7
<b>Cylinder</b> .....	3
<b>Cylinder Head</b> .....	5
<b>Electric Starter</b> .....	23
<b>Exhaust System</b> .....	15, 16
<b>Flywheel, Alternator</b> .....	21
<b>Fuel Supply</b> .....	17, 18
<b>Gasket Set - Carburetor</b> .....	24, 25
<b>Gasket Set - Engine</b> .....	24, 25
<b>Gasket Set - Valve</b> .....	24, 25
<b>Ignition</b> .....	20, 21
<b>Kit-Carburetor Overhaul</b> .....	24, 25
<b>Lubrication</b> .....	4
<b>Oil Sensor Group</b> .....	3, 20
<b>Operator's Manual, Repair Manual, Warning Label</b> ..	7
<b>Piston, Rings, Connecting Rod</b> .....	6
<b>Rewind Starter</b> .....	22
<b>Valves</b> .....	5

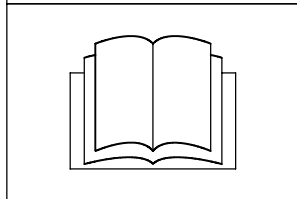
PRINTED IN U.S.A.



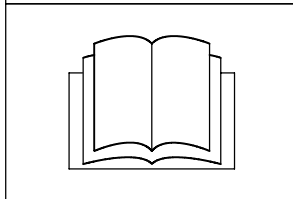
COPYRIGHT by BRIGGS & STRATTON CORPORATION  
All rights reserved. No part of this material may be reproduced or transmitted, in any form or by any means, electronic or mechanical, including photocopying, recording or by any information storage and retrieval system, without permission in writing from Briggs & Stratton Corporation.

# 245400 to 245499

1058 OPERATOR'S MANUAL



1330 REPAIR MANUAL



1319 WARNING LABEL



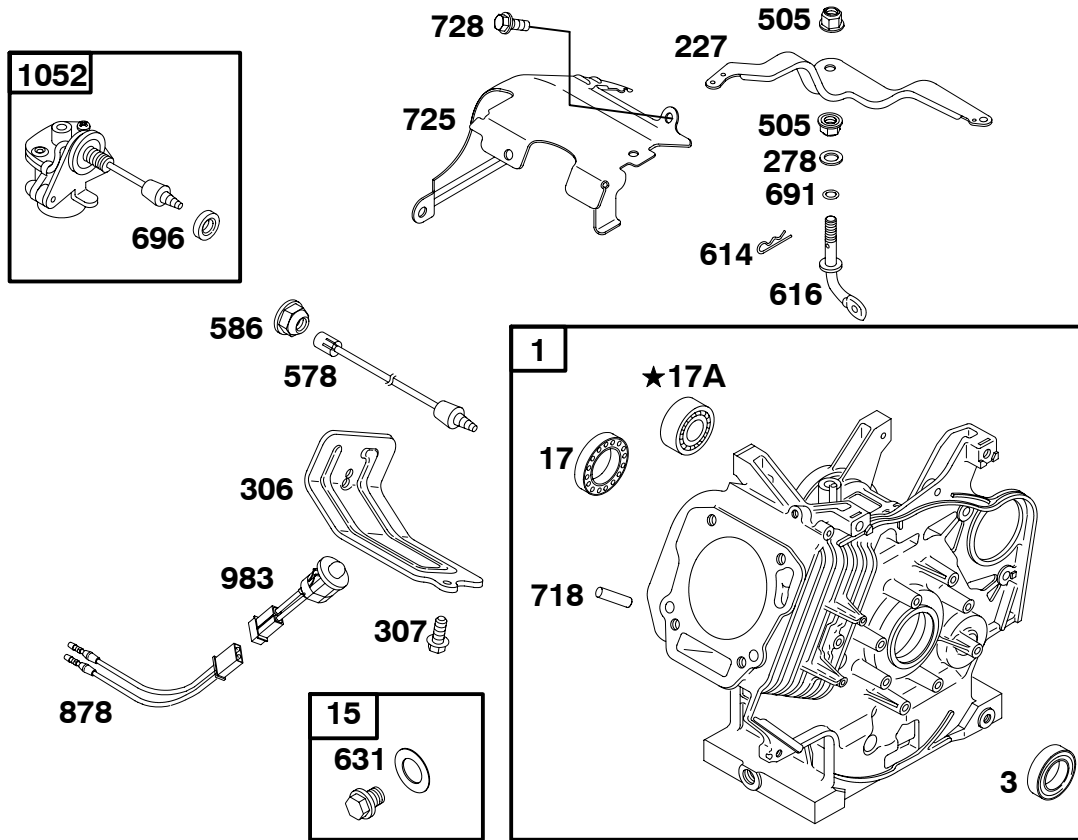
REF. NO.	PART NO.	DESCRIPTION	REF. NO.	PART NO.	DESCRIPTION	REF. NO.	PART NO.	DESCRIPTION
1058	MS3824	Operator's Manual	1319	794467	Label-Warning	1330	272147	Rfepair Manual

★ Included in Engine Gasket Set-Ref. No. 358.

◆ Included in Carburetor Gasket Set-Ref. No. 977.

● Included in Carburetor Overhaul Kit-Ref. No. 121.

△ Included in Valve Gasket Set-Ref. No. 1095.



★ **REQUIRES SPECIAL TOOLS TO REPLACE. SEE REPAIR INSTRUCTION MANUAL.**

REF. NO.	PART NO.	DESCRIPTION	REF. NO.	PART NO.	DESCRIPTION	REF. NO.	PART NO.	DESCRIPTION
1	715355	Cylinder Assembly ----- Note ----- 715356 Cylinder Assembly Used on Type No(s). 0121, 0521, 0538, 0546, 0548. 715357 Cylinder Assembly Used on Type No(s). 0074, 0076, 0080, 0084, 0128, 0276, 0280, 0284, 0528, 0539, 0550, 0555. 715622 Cylinder Assembly Used on Type No(s). 0299.	17	710528	Bearing-Ball ----- Note ----- 710657 Bearing-Ball Used on Type No(s). 0047, 0247.	578	710308	Wire Assembly ----- Note ----- 710086 Wire Assembly Used on Type No(s). 0299.
			17A	710482	Bearing-Ball	586	710090	Nut (Oil Sensor)
			227	710561	Lever-Governor Control	614	710056	Pin-Cotter
			278	710058	Washer (Governor Control Lever)	616	710560	Crank-Governor
			306	710242	Shield-Cylinder	631	★710004	Washer (Oil Drain Plug)
			307	710023	Screw (Cylinder Shield)	691	★710055	Seal-Governor Shaft
			505	710059	Nut (Governor Control Lever)	696	★710091	Seal-O Ring (Oil Sensor)
3	★291675s	Seal-Oil (Magneto Side)				718	710005	Pin-Locating
15	715000	Plug-Oil Drain				725	710568	Shield-Heat
						728	710023	Screw (Heat Shield)
						878	710417	Harness-Alternator
						983	692362	Light-Indicator
						1052	715353	Sensor-Oil

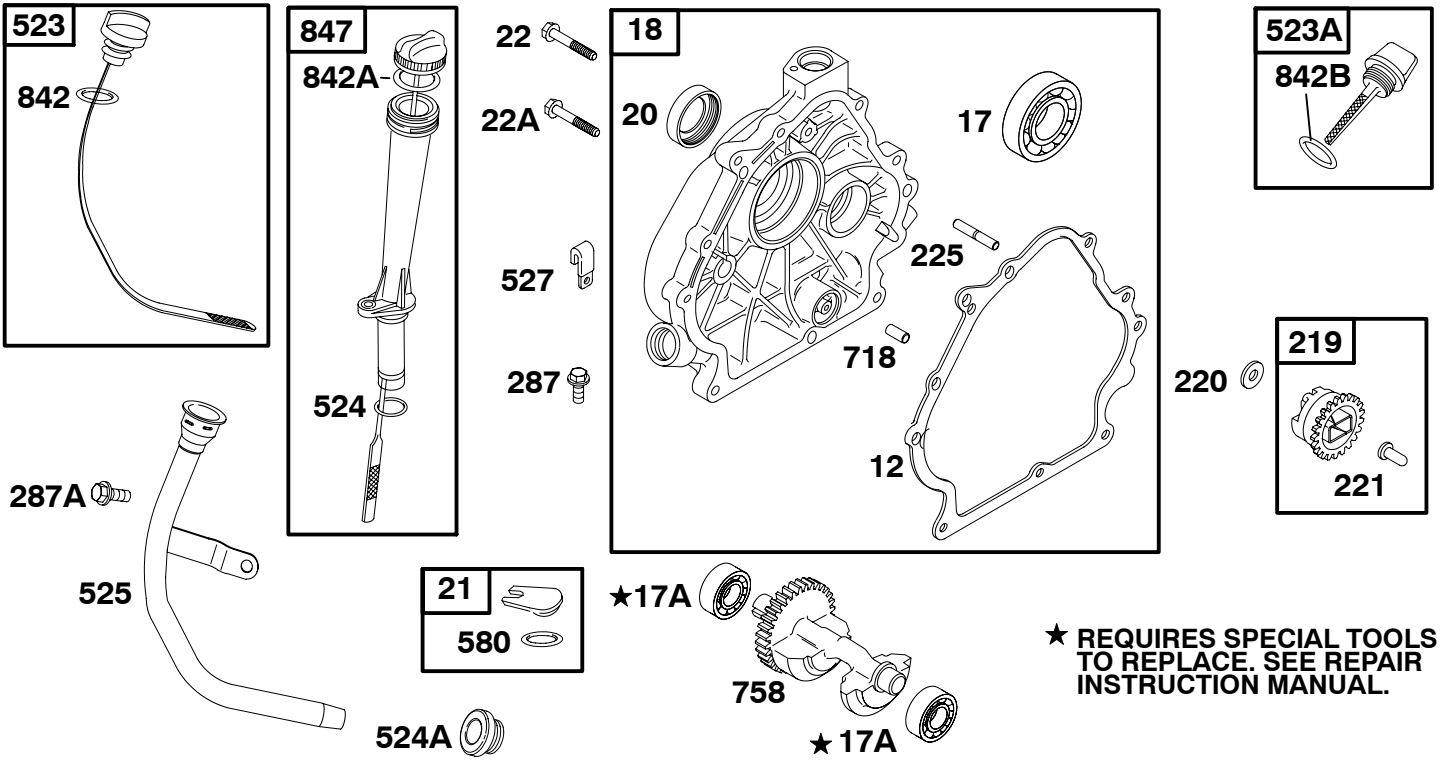
★ Included in Engine Gasket Set-Ref. No. 358.

◆ Included in Carburetor Gasket Set-Ref. No. 977.

● Included in Carburetor Overhaul Kit-Ref. No. 121.

△ Included in Valve Gasket Set-Ref. No. 1095.

# 245400 to 245499



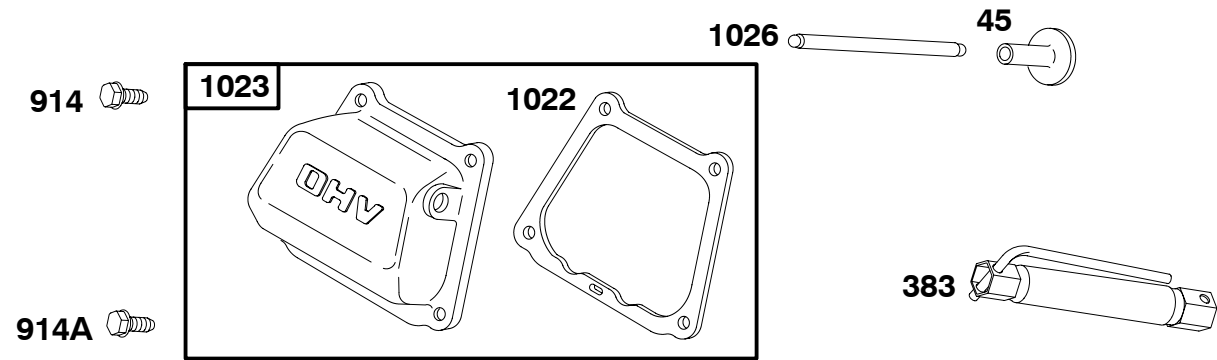
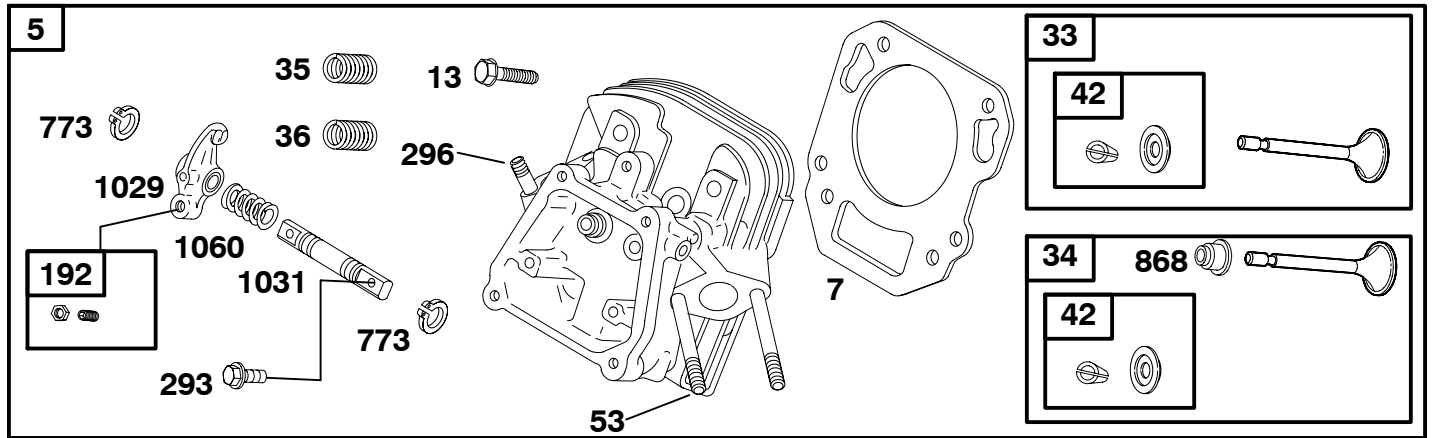
REF. NO.	PART NO.	DESCRIPTION	REF. NO.	PART NO.	DESCRIPTION	REF. NO.	PART NO.	DESCRIPTION
12	★710378	Gasket-Crankcase		715623	Cover-Crankcase	287	710234	Screw (Dipstick Tube)
17	710528	Bearing-Ball			Used on Type No(s). 0299.	287A	710023	Screw (Dipstick Tube)
		----- Note -----		715711	Cover-Crankcase (Includes Ref. 17A)	523	692100	Dipstick Used on Type No(s). 0299.
		710657 Bearing-Ball			Used on Type No(s). 0047, 0247.	523A	710817	Dipstick (Yellow)
17A	710482	Bearing-Ball	20	★291675s	Seal-Oil (PTO Side)	524	280854	Seal-Dipstick Tube
18	715359	Cover-Crankcase	21	493668	Cap-Oil Fill	524A	710394	Seal-Dipstick Tube Used on Type No(s). 0299.
		----- Note -----	22	710032	Screw (Crankcase Cover/Sump)	525	710391	Tube-Dipstick Used on Type No(s). 0299.
		715358 Cover Crankcase	22A	710306	Screw (Crankcase Cover/Sump)	527	710100	Clamp-Tube
		Used on Type No(s). 0042, 0242, 0261, 0519, 0546, 0549.	219	715696	Gear-Governor	580	280854	Seal-O Ring (Oil Fill Cap)
		715526 Cover-Crankcase	220	710545	Washer (Governor Gear)	718	710005	Pin-Locating
		Used on Type No(s). 0058.	221	710027	Cup-Governor	758	710542	Counterweight
		715537 Cover-Crankcase	225	710028	Shaft-Governor Gear	842	690611	Seal-O Ring (Dipstick Tube)
		Used on Type No(s). 0539.				842A	270920	Seal-O Ring (Dipstick Tube)
						842B	★710218	Seal-O Ring (Dipstick Tube)
						847	710543	Dipstick/Tube Assembly

★ Included in Engine Gasket Set-Ref. No. 358.

◆ Included in Carburetor Gasket Set-Ref. No. 977.

● Included in Carburetor Overhaul Kit-Ref. No. 121.

△ Included in Valve Gasket Set-Ref. No. 1095.

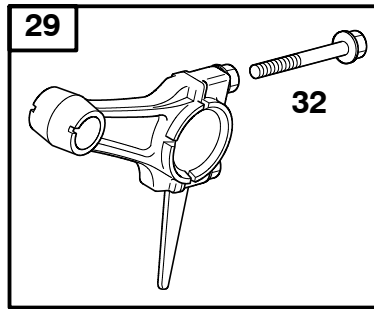
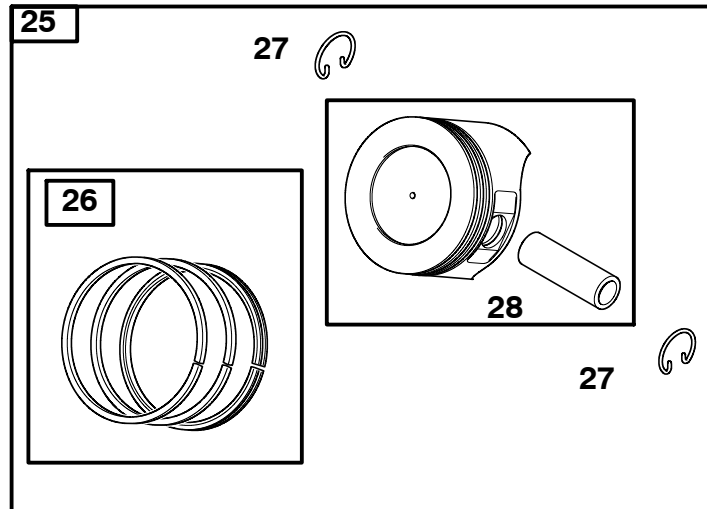


REF. NO.	PART NO.	DESCRIPTION	REF. NO.	PART NO.	DESCRIPTION	REF. NO.	PART NO.	DESCRIPTION
5	715375	Head-Cylinder	53	710556	Stud (Carburetor)	914	710023	Screw (Rocker Cover) (M6x12MM Long)
7	Δ*710539	Gasket-Cylinder Head			----- Note -----			----- Note -----
13	710204	Screw (Cylinder Head)	192	715372	Adjuster-Rocker Arm			710248 Screw (Rocker Cover) (M6X16MM Long)
33	716079	Valve-Exhaust	293	710538	Screw (Rocker Arm Shaft)	914A	710248	Screw (Rocker Cover)
34	716080	Valve-Intake	296	710099	Stud (Muffler)	1022	Δ*710377	Gasket-Rocker Cover
35	691279	Spring-Valve (Intake)	383	19374	Wrench-Spark Plug	1023	715376	Cover-Rocker Arm
36	691279	Spring-Valve (Exhaust)	773	710537	Retainer	1026	710373	Rod-Push
42	715130	Keeper-Valve	868	Δ710863	Seal-Valve	1029	710534	Arm-Rocker
45	710530	Tappet-Valve				1031	710533	Shaft-Rocker Arm
						1060	710535	Spring-Rocker Shaft

★ Included in Engine Gasket Set-Ref. No. 358.  
 ◆ Included in Carburetor Gasket Set-Ref. No. 977.

● Included in Carburetor Overhaul Kit-Ref. No. 121.  
 Δ Included in Valve Gasket Set-Ref. No. 1095.

# 245400 to 245499



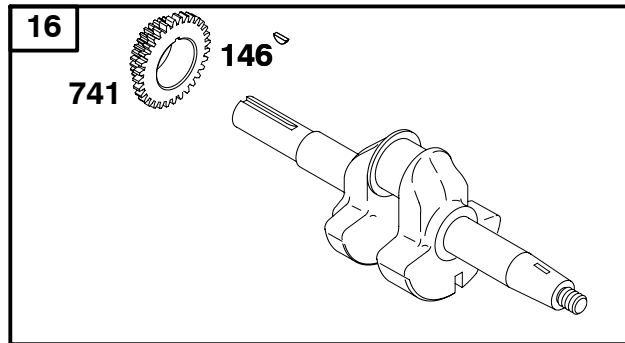
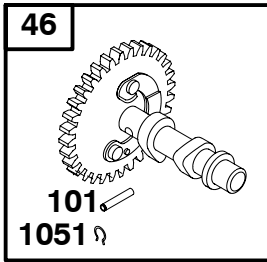
REF. NO.	PART NO.	DESCRIPTION	REF. NO.	PART NO.	DESCRIPTION	REF. NO.	PART NO.	DESCRIPTION
25	715793	Piston Assembly (Standard)	27	691792	Lock-Piston Pin	29	715345	Rod-Connecting (Standard)
		----- <b>Note</b> -----	28	715407	Pin-Piston (Standard)			----- <b>Note</b> -----
		715797 Piston Assembly (.020" Oversize)						715366 Rod-Connecting-020 (.020" Undersize)
26	715346	Ring Set (Standard)				32	710221	Screw (Connecting Rod)
		----- <b>Note</b> -----						
		715368 Ring Set (.020" Oversize)						

★ Included in Engine Gasket Set-Ref. No. 358.

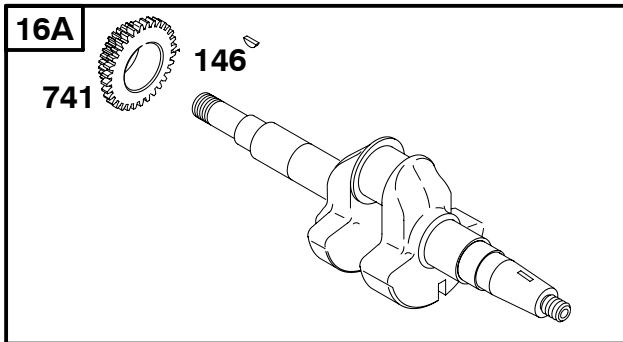
◆ Included in Carburetor Gasket Set-Ref. No. 977.

● Included in Carburetor Overhaul Kit-Ref. No. 121.

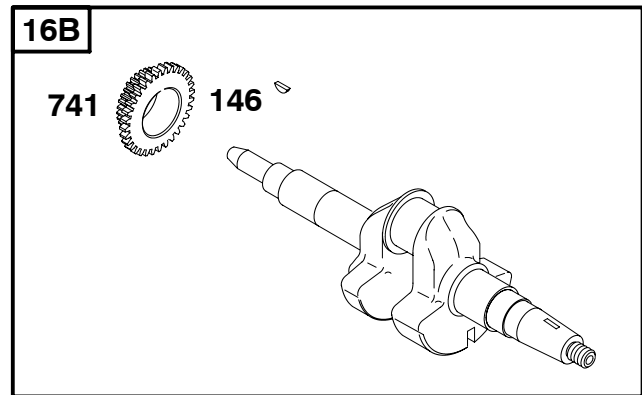
△ Included in Valve Gasket Set-Ref. No. 1095.



24



24



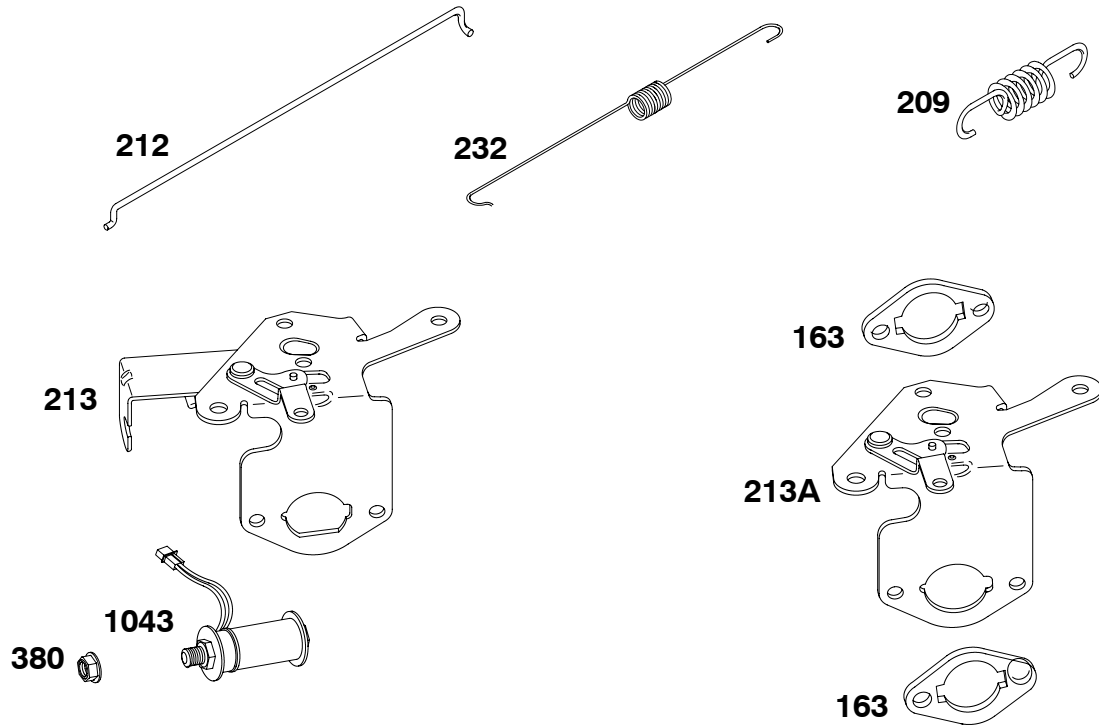
24

REF. NO.	PART NO.	DESCRIPTION	REF. NO.	PART NO.	DESCRIPTION	REF. NO.	PART NO.	DESCRIPTION
16	716181	Crankshaft (SAE 1" Keyway, With Loose Spur Gear) (Used After Code Date 01013100). ----- <b>Note</b> ----- 715342 Crankshaft (SAE 1" Keyway, With Pressed On Spur Gear) (Used Before Code Date 01020100).	16B	716083	Crankshaft (SAE Taper, With Loose Spur Gear) (Used After Code Date 01013100). ----- <b>Note</b> ----- 715343 Crankshaft (SAE Taper, With Pressed On Spur Gear) (Used Before Code Date 01020100).	24	710037	Key-Flywheel
16A	716182	Crankshaft (SAE 1" Threaded, With Loose Spur Gear) (Used After Code Date 01013100). ----- <b>Note</b> ----- 715344 Crankshaft (SAE 1" Threaded, With Pressed On Spur Gear) (Used Before Code Date 01020100).				46	715369	Camshaft (Spur Gear With Compression Release)(Use Also For Non-Compression Release Application)
						101	710547	Pin-Shaft
						146	711336	Key-Timing
						741	711335	Gear-Timing (Used After Code Date 01013100).
						1051	710548	Ring-Retaining

★ Included in Engine Gasket Set-Ref. No. 358.  
◆ Included in Carburetor Gasket Set-Ref. No. 977.

● Included in Carburetor Overhaul Kit-Ref. No. 121.  
△ Included in Valve Gasket Set-Ref. No. 1095.

# 245400 to 245499



REF. NO.	PART NO.	DESCRIPTION	REF. NO.	PART NO.	DESCRIPTION	REF. NO.	PART NO.	DESCRIPTION
<b>163</b> ★◆	<b>710557</b>	Gasket-Air Cleaner	<b>212</b>	<b>710562</b>	Link-Throttle	<b>232</b>	<b>710563</b>	Spring-Governor Link
<b>209</b>	<b>710706</b>	Spring-Governor	<b>213</b>	<b>715348</b>	Bracket-Choke Control	<b>380</b>	<b>710081</b>	Nut (Electro Magnet)
		----- <b>Note</b> -----			Used on Type No(s). 0042, 0242, 0261, 0532, 0559.	<b>1043</b>	<b>692955</b>	Magnet-Electro
		<b>710565</b> Spring-Governor	<b>213A</b>	<b>715347</b>	Bracket-Choke Control			
		Used on Type No(s). 0047, 0058, 0080, 0083, 0090, 0127, 0128, 0280, 0290, 0519, 0523, 0527, 0528, 0544, 0550, 0553, 0555, 0562, 0563.						
		<b>710655</b> Spring-Governor						
		Used on Type No(s). 0042, 0070, 0071, 0074, 0242, 0261, 0270, 0532, 0549, 0559, 0561.						

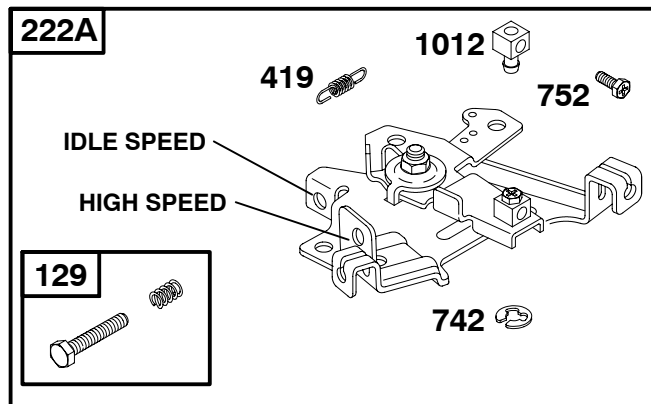
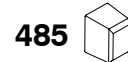
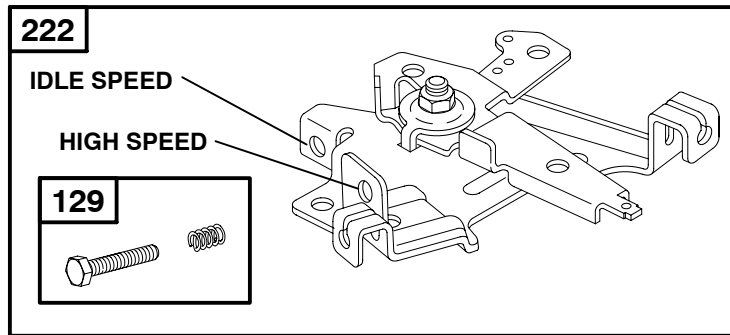
★ Included in Engine Gasket Set-Ref. No. 358.

◆ Included in Carburetor Gasket Set-Ref. No. 977.

● Included in Carburetor Overhaul Kit-Ref. No. 121.

△ Included in Valve Gasket Set-Ref. No. 1095.





REF. NO.	PART NO.	DESCRIPTION	REF. NO.	PART NO.	DESCRIPTION	REF. NO.	PART NO.	DESCRIPTION
129	715024	Screw/Spring-Governor Speed (Idle & High Speed Adjustment) ----- <b>Note</b> ----- 715170 Screw/Spring-Governor Speed (Idle & High Speed Adjustment) Used on Type No(s). 0042, 0071, 0074, 0080, 0083, 0090.	222	715025	Bracket-Control ----- <b>Note</b> ----- 715046 Bracket-Control Used on Type No(s). 0042, 0058, 0070, 0071, 0074, 0080, 0083, 0090, 0127, 0128, 0242, 0261, 0270, 0280, 0290, 0519, 0523, 0527, 0528, 0529, 0532, 0544, 0549, 0550, 0555, 0559, 0561, 0562, 0563.	222A	715676	Bracket-Control Used on Type No(s). 0538.
188	710057	Screw (Control Bracket)				419	710475	Spring-Return
						485	692295	Knob-Control
						742	710477	Retainer-E Ring
						752	710478	Screw (Link Retainer)
						1012	710855	Retainer-Link

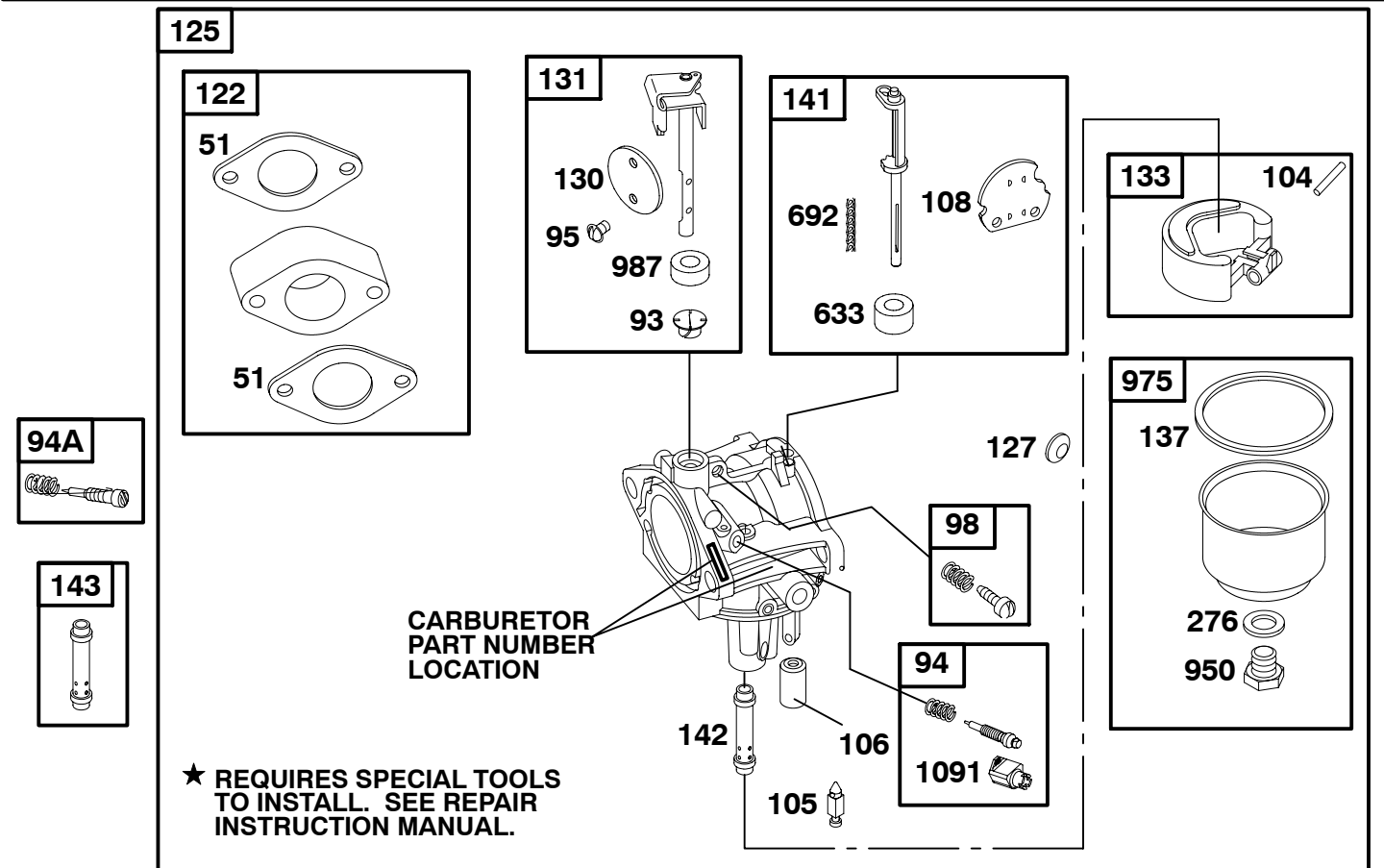
★ Included in Engine Gasket Set-Ref. No. 358.

◆ Included in Carburetor Gasket Set-Ref. No. 977.

● Included in Carburetor Overhaul Kit-Ref. No. 121.

▲ Included in Valve Gasket Set-Ref. No. 1095.

# 245400 to 245499



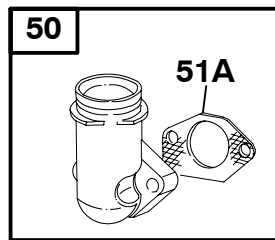
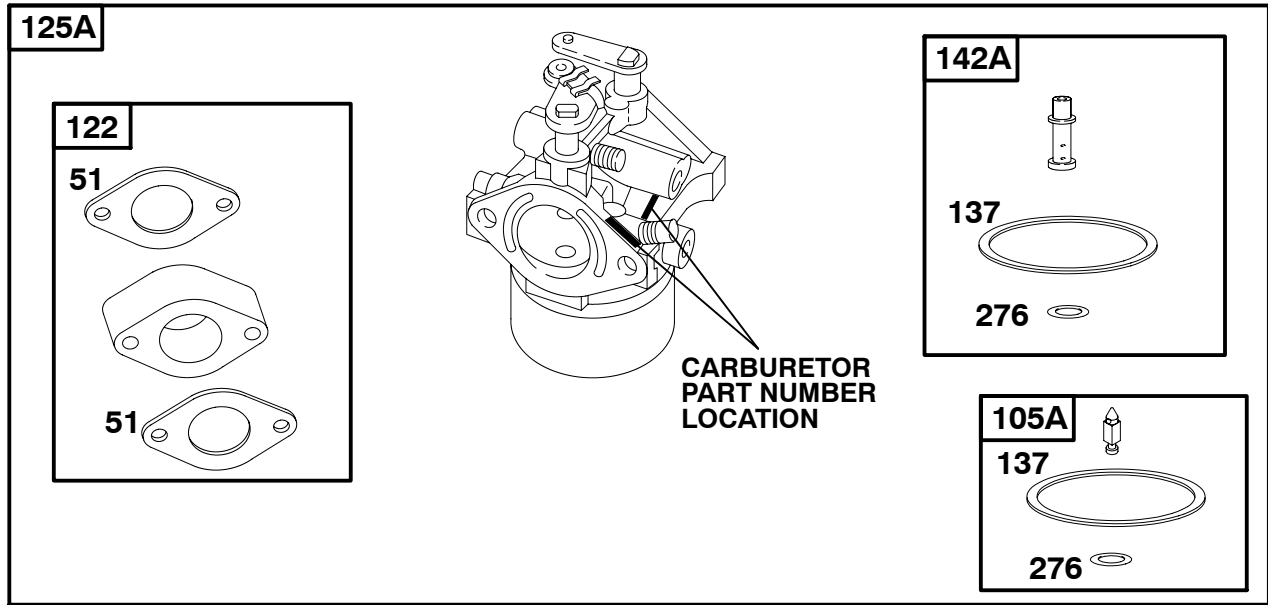
REF. NO.	PART NO.	DESCRIPTION	REF. NO.	PART NO.	DESCRIPTION	REF. NO.	PART NO.	DESCRIPTION
51	◆710559	Gasket-Intake	106	●690577	Seat-Inlet	141	715382	Kit-Choke Shaft
93	●690602	Bushing-Throttle Shaft	108	691227	Valve-Choke	142	●691462	Nozzle-Carburetor (Standard)
94	498030	Kit-Idle Mixture (Carburetor Pt. No. 715330)	122	715377	Spacer-Carburetor	143	691462	Nozzle-Carburetor (High Altitude)
94A	496589	Kit-Idle Mixture (Carburetor Pt. No. 715399)	125		Carburetor (Carburetor Pt. No. 715330)((Replace With Service Carburetor 715783)	276	●692255	Washer-Sealing
95	●691636	Screw (Throttle Valve)	127	●695005	Plug-Welch	633	●690597	Seal-Choke/Throttle Shaft
98	495800	Kit-Idle Speed	130	690468	Valve-Throttle	692	691301	Spring-Detent
104	●690525	Pin-Float Hinge	131	715388	Kit-Throttle Shaft	950	691657	Screw-Float Bowl
105	●231855s	Valve-Float Needle	133	494381	Float-Carburetor	975	495933	Bowl-Float
			137	◆281165s	Gasket-Float Bowl	987	●691326	Seal-Throttle Shaft
						1091	691333	Cap-Limiter

★ Included in Engine Gasket Set-Ref. No. 358.

◆ Included in Carburetor Gasket Set-Ref. No. 977.

● Included in Carburetor Overhaul Kit-Ref. No. 121.

△ Included in Valve Gasket Set-Ref. No. 1095.



REF. NO.	PART NO.	DESCRIPTION	REF. NO.	PART NO.	DESCRIPTION	REF. NO.	PART NO.	DESCRIPTION
50	715783	Manifold-Intake Used on Type No(s). 0299.	51A	710819	Gasket-Intake Used on Type No(s). 0299.	125A	715625	Carburetor Used on Type No(s). 0299.
51	Δ★710559	Gasket-Intake	105A	712001	Valve-Float Needle	137	◆281165s	Gasket-Float Bowl
			122	715377	Spacer-Carburetor	142A	711995	Nozzle-Carburetor
						276	◆692255	Washer-Sealing

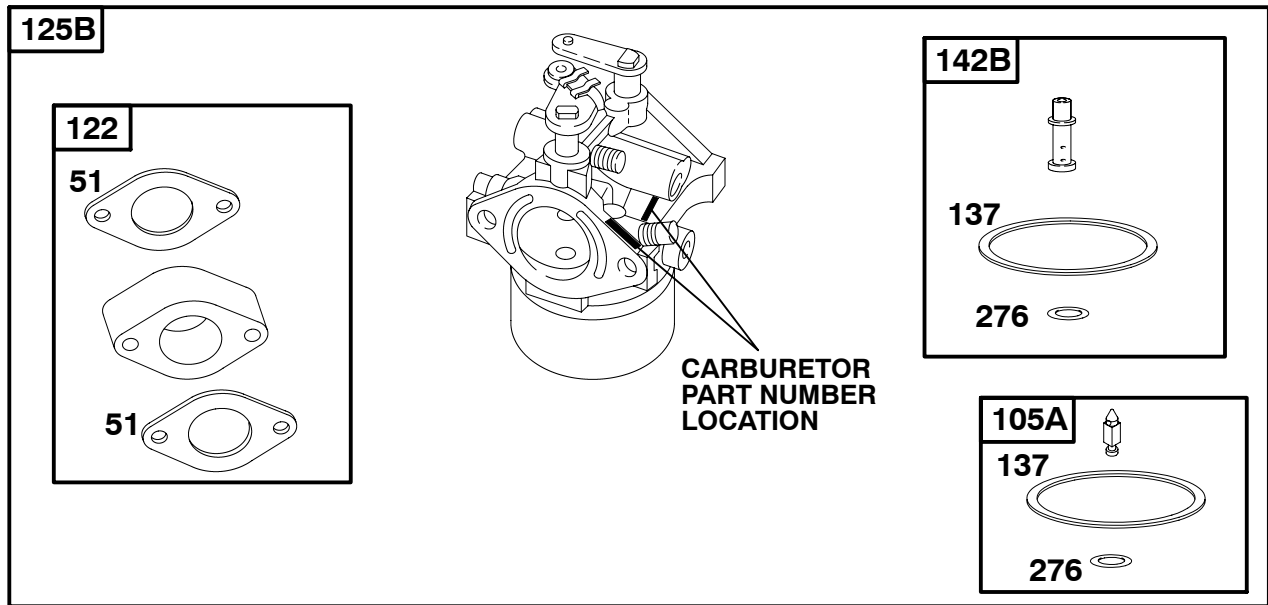
★ Included in Engine Gasket Set-Ref. No. 358.

◆ Included in Carburetor Gasket Set-Ref. No. 977.

● Included in Carburetor Overhaul Kit-Ref. No. 121.

Δ Included in Valve Gasket Set-Ref. No. 1095.

# 245400 to 245499



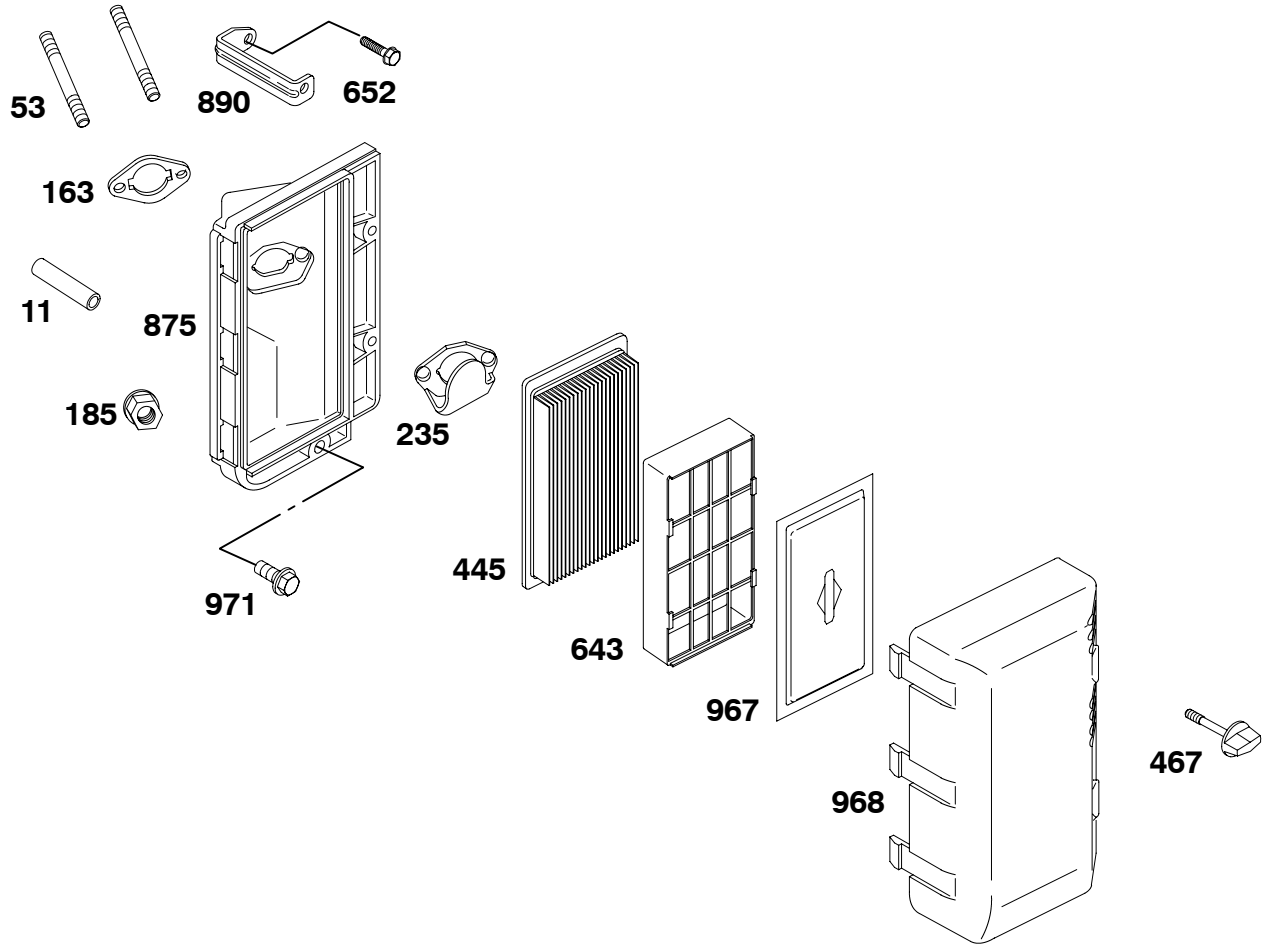
REF. NO.	PART NO.	DESCRIPTION	REF. NO.	PART NO.	DESCRIPTION	REF. NO.	PART NO.	DESCRIPTION
105A	712001	Valve-Float Needle	142B	712002	Nozzle-Carburetor	276	◆692255	Washer-Sealing
125B	715783	Carburetor			----- Note -----			
		----- Note -----			712009 Nozzle-			
		715784 Carburetor			Carburetor			
		Used on Type No(s).			Used on Type No(s).			
		0261, 0553, 0561,			0261, 0553, 0561,			
		0562.			0562.			
	137	◆281165s Gasket-Float Bowl						

★ Included in Engine Gasket Set-Ref. No. 358.

◆ Included in Carburetor Gasket Set-Ref. No. 977.

● Included in Carburetor Overhaul Kit-Ref. No. 121.

△ Included in Valve Gasket Set-Ref. No. 1095.



REF. NO.	PART NO.	DESCRIPTION	REF. NO.	PART NO.	DESCRIPTION	REF. NO.	PART NO.	DESCRIPTION
11	710115	Tube-Breather ----- Note ----- 710815 Tube-Breather Used on Type No(s). 0299.	163	710557	Gasket-Air Cleaner	890	710554	Bracket-Support (Air Cleaner)
53	710556	Stud (Carburetor) ----- Note ----- 710816 Stud Used on Type No(s). 0299.	185	710068	Nut (Air Cleaner Base)	967	710268	Filter-Pre Cleaner
			235	710553	Shield-Fuel Spray	968	710552	Cover-Air Cleaner
			445	710266	Filter-Air Cleaner Cartridge	971	710234	Screw (Air Cleaner Base To Carburetor)
			467	710113	Knob-Air Cleaner			
			643	710228	Retainer-Air Filter			
			652	710248	Screw (Support Bracket)			
			875	710551	Base-Air Cleaner (Plastic)			

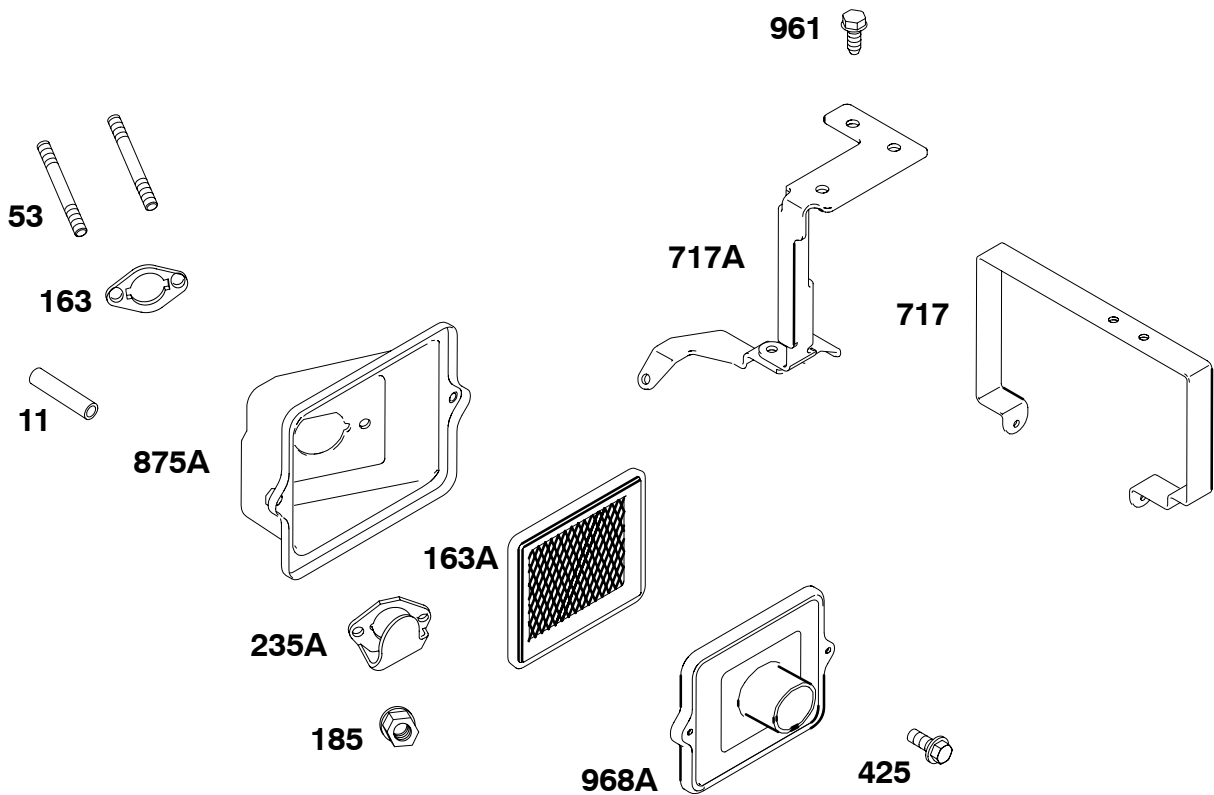
★ Included in Engine Gasket Set-Ref. No. 358.

◆ Included in Carburetor Gasket Set-Ref. No. 977.

● Included in Carburetor Overhaul Kit-Ref. No. 121.

△ Included in Valve Gasket Set-Ref. No. 1095.

# 245400 to 245499



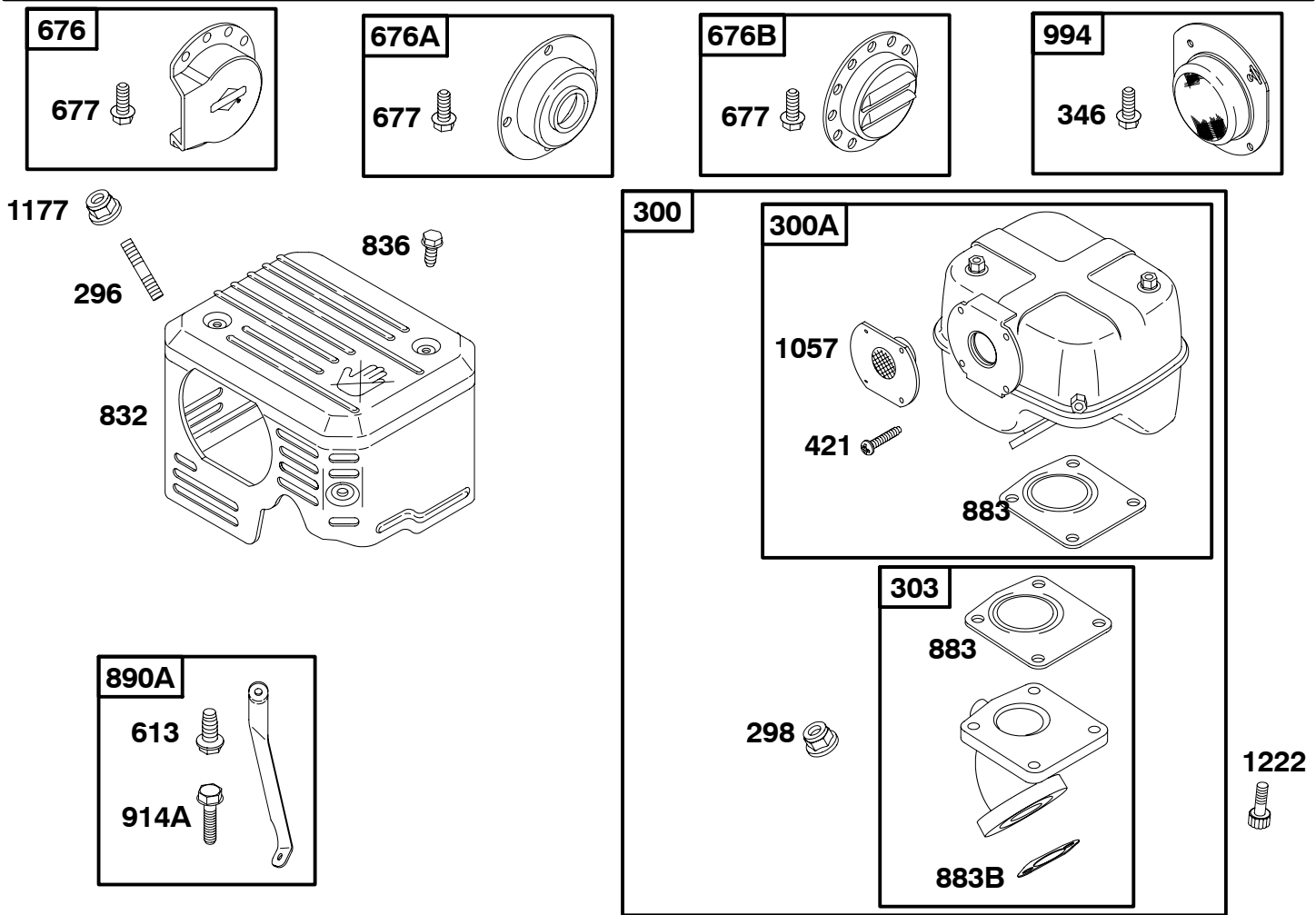
REF. NO.	PART NO.	DESCRIPTION	REF. NO.	PART NO.	DESCRIPTION	REF. NO.	PART NO.	DESCRIPTION
11	710115	Tube-Breather	185	710068	Nut (Air Cleaner Base)	875A	711955	Base-Air Cleaner
53	710556	Stud (Carburetor)	235A	711956	Shield-Fuel Spray	961	711953	Screw (Air Cleaner Bracket)
163★◆	710557	Gasket-Air Cleaner	425	694515	Screw (Air Cleaner Cover)	968A	711954	Cover-Air Cleaner
163A	711950	Gasket-Air Cleaner	717	711951	Bracket-Air Cleaner			
			717A	711952	Bracket-Air Cleaner			

★ Included in Engine Gasket Set-Ref. No. 358.

◆ Included in Carburetor Gasket Set-Ref. No. 977.

● Included in Carburetor Overhaul Kit-Ref. No. 121.

△ Included in Valve Gasket Set-Ref. No. 1095.



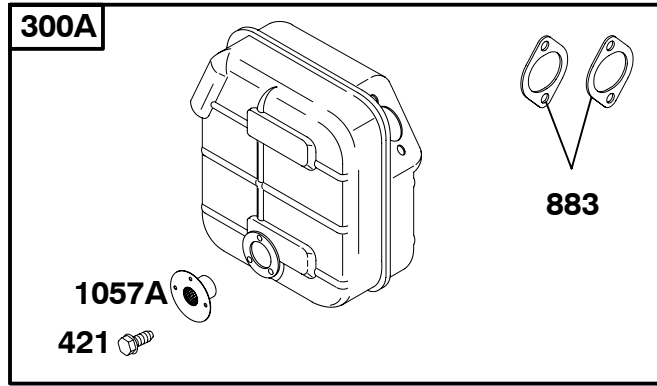
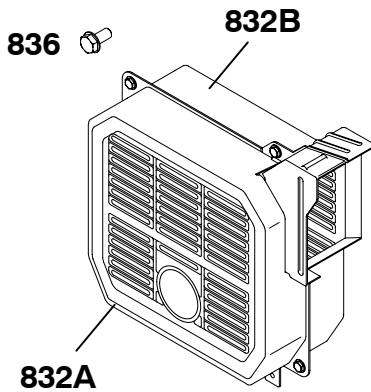
REF. NO.	PART NO.	DESCRIPTION	REF. NO.	PART NO.	DESCRIPTION	REF. NO.	PART NO.	DESCRIPTION
296	710099	Stud (Muffler)	676	393761	Deflector-Muffler (Side Out)	890A	715422	Bracket-Support
298	710090	Locknut-Muffler/Elbow	676A	396903	Deflector-Muffler (Direct Out)	914A	710248	Screw (Rocker Cover)
300	715894	Muffler	676B	397630	Deflector-Muffler (Louvered)	994	392390	Arrestor-Spark
300A	715826	Muffler	677	690771	Screw (Muffler Deflector)	1057	710585	Screen-Outlet
303	715824	Elbow-Exhaust	832	710586	Guard-Muffler	1177	710081	Nut (Muffler)
346	690661	Screw (Spark Arrestor)	836	710074	Screw (Muffler Guard)			Used on Type No(s). 0299.
421	710307	Screw (Outlet Screen)	883	Δ★711182	Gasket-Exhaust	1222	711183	Screw (Exhaust Pipe)
613	710976	Screw (Muffler)	883B	Δ★711181	Gasket-Exhaust			

★ Included in Engine Gasket Set-Ref. No. 358.

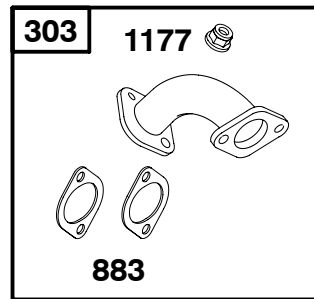
◆ Included in Carburetor Gasket Set-Ref. No. 977.

● Included in Carburetor Overhaul Kit-Ref. No. 121.

Δ Included in Valve Gasket Set-Ref. No. 1095.



**NOTE: This muffler is intended for replacement purposes only and is not to be used for retrofitting to engines with different exhaust systems.**



REF. NO.	PART NO.	DESCRIPTION	REF. NO.	PART NO.	DESCRIPTION	REF. NO.	PART NO.	DESCRIPTION
300A	715600	Muffler (Low Mount)	832A	710791	Guard-Muffler (Low Mount, Front)	836	710074	Screw (Muffler Guard)
303	715604	Elbow-Exhaust (Low Mount)	832B	710792	Guard-Muffler (Low Mount, Rear)	883	Δ*710250	Gasket-Exhaust
421	710307	Screw (Outlet Screen)				1057A	710331	Screen-Outlet
						1177	710090	Nut (Muffler)

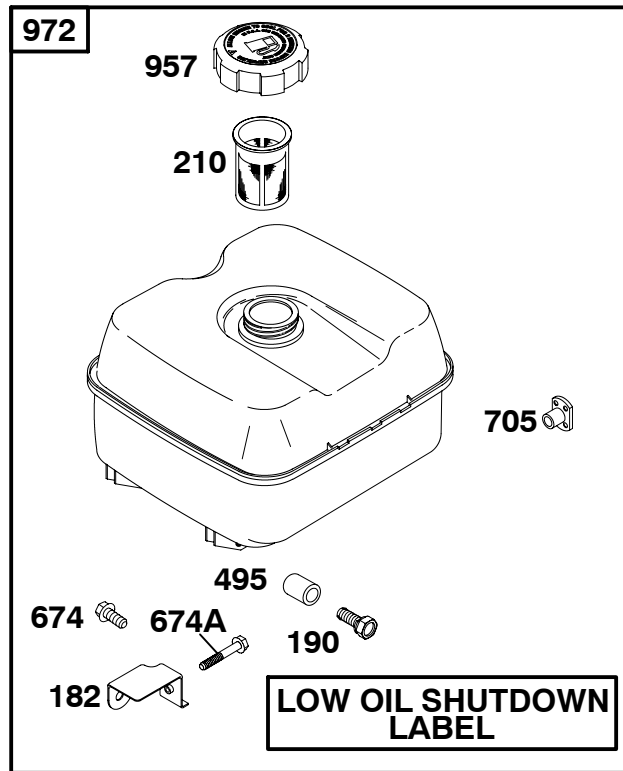
★ Included in Engine Gasket Set-Ref. No. 358.

◆ Included in Carburetor Gasket Set-Ref. No. 977.

● Included in Carburetor Overhaul Kit-Ref. No. 121.

Δ Included in Valve Gasket Set-Ref. No. 1095.





REF. NO.	PART NO.	DESCRIPTION	REF. NO.	PART NO.	DESCRIPTION	REF. NO.	PART NO.	DESCRIPTION
182	710491	Bracket-Fuel Tank	495	710508	Bushing	705	710509	Nut (Fuel Tank)
190	710047	Screw (Fuel Tank)	674	710023	Screw (Fuel Tank Bracket)	957	491367	Cap-Fuel Tank
210	691370	Strainer-Fuel (Fuel Tank Bracket)	674A	710095	Screw (Fuel Tank Bracket)	972	715516	Tank-Fuel (Plastic)

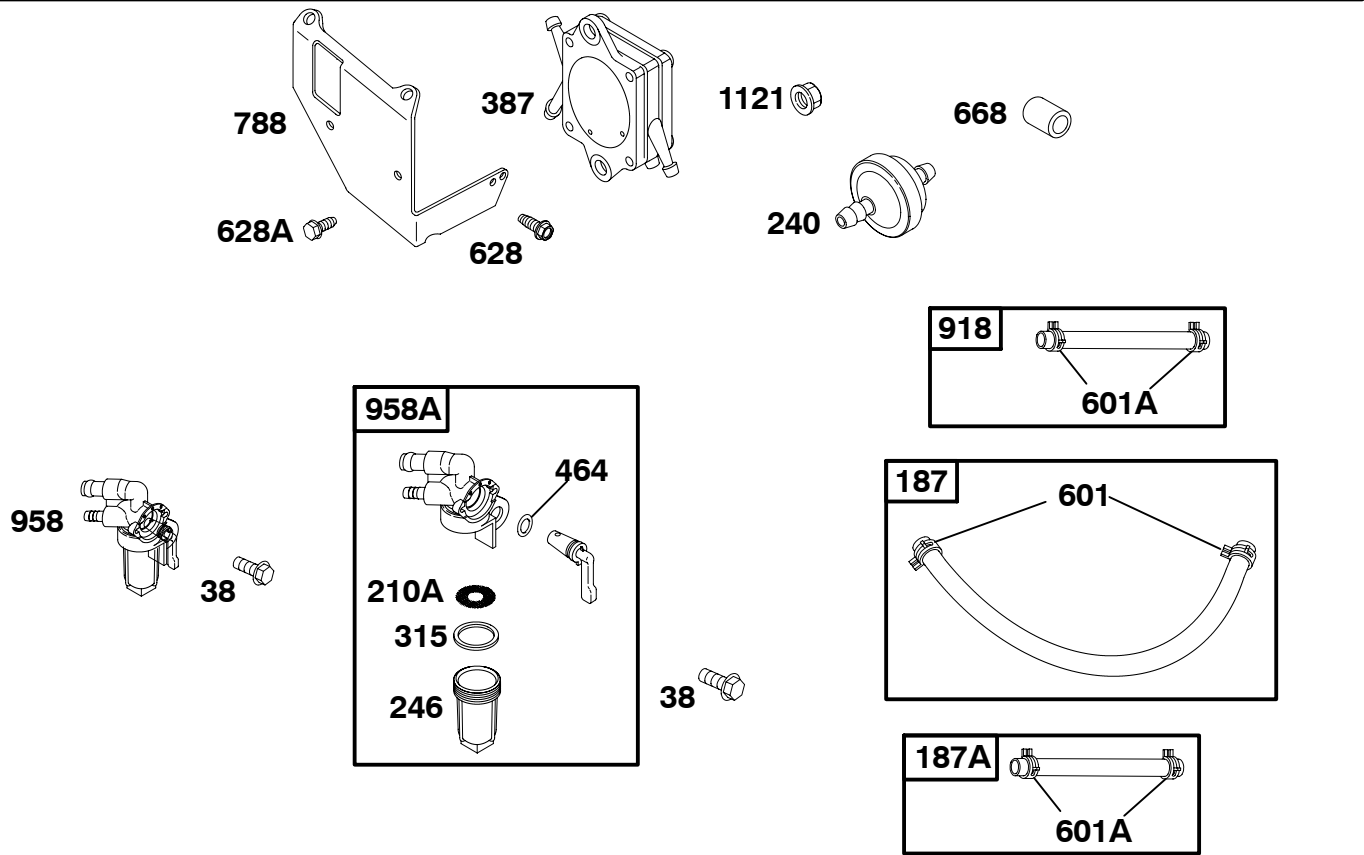
★ Included in Engine Gasket Set-Ref. No. 358.

◆ Included in Carburetor Gasket Set-Ref. No. 977.

● Included in Carburetor Overhaul Kit-Ref. No. 121.

△ Included in Valve Gasket Set-Ref. No. 1095.

# 245400 to 245499



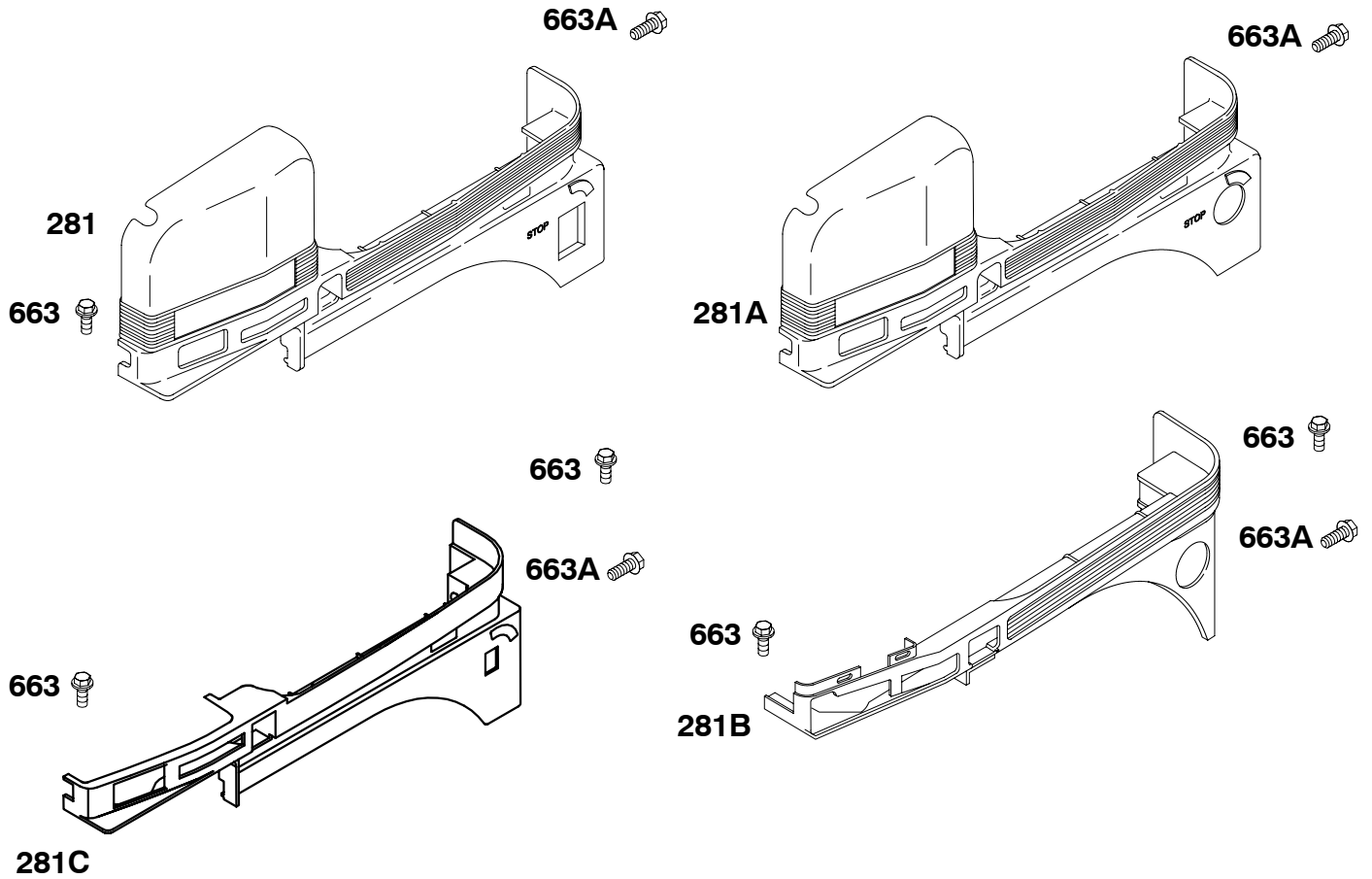
REF. NO.	PART NO.	DESCRIPTION	REF. NO.	PART NO.	DESCRIPTION	REF. NO.	PART NO.	DESCRIPTION
38	710160	Screw (Fuel Shut Off Valve)	246	710070	Bowl-Fuel Filter	668	710159	Spacer
187	716126	Line-Fuel (8mm Inside Diameter) (Cut To Required Length)	315	710072	Seal-O Ring (Filter Bowl)	788	710917	Bracket-Fuel Pump
187A	716123	Line-Fuel (6mm Inside Diameter) (Cut To Required Length)	387	715303	Pump-Fuel ----- Note ----- 808656 Pump-Fuel Used on Type No(s). 0299.	918	716124	Hose-Vacuum (6mm Inside Diameter) (Cut To Required Length)
210A	710071	Strainer-Fuel	464	★710069	Seal-O Ring (Fuel Shut Off Valve)	958	716111	Valve-Fuel Shut Off (Plastic) (Used After Code Date 04072900).
240	298090s	Filter-Fuel ----- Note ----- 691035 Filter-Fuel Used on Type No(s). 0299.	601	711998	Clamp-Hose	958A	715224	Valve-Fuel Shut Off (Plastic) (Used Before Code Date 04073000).
			601A	711925	Clamp-Hose	1121	710068	Nut (Fuel Pump Bracket)
			628	710248	Screw (Fuel Pump Bracket)			
			628A	710234	Screw (Fuel Pump Bracket)			

★ Included in Engine Gasket Set-Ref. No. 358.

◆ Included in Carburetor Gasket Set-Ref. No. 977.

● Included in Carburetor Overhaul Kit-Ref. No. 121.

△ Included in Valve Gasket Set-Ref. No. 1095.



**1036 EMISSIONS LABEL**

REF. NO.	PART NO.	DESCRIPTION	REF. NO.	PART NO.	DESCRIPTION	REF. NO.	PART NO.	DESCRIPTION
281	711765	Panel-Control (Manual Start With Cover)	281B	711991	Panel-Control (Electric Start Without Cover)	663	710234	Screw (Control Panel)
281A	711990	Panel-Control (Electric Start With Cover) (Used After Code Date 03063000). ----- <b>Note</b> ----- 711296 Panel-Control (Electric Start With Cover) (Used Before Code Date 03070100).			(Used After Code Date 03063000). ----- <b>Note</b> ----- 710919 Panel-Control (Electric Start Without Cover) (Used Before Code Date 03070100).	663A	710095	Screw (Control Panel)
			281C	711959	Panel-Control (Manual Start Without Cover) (Used After Code Date 03063000). ----- <b>Note</b> ----- 710571 Panel-Control (Used Before Code Date 03070100). (Manual Start Without Cover)	1036		Label-Emissions (Available From A Briggs & Stratton Authorized Dealer)

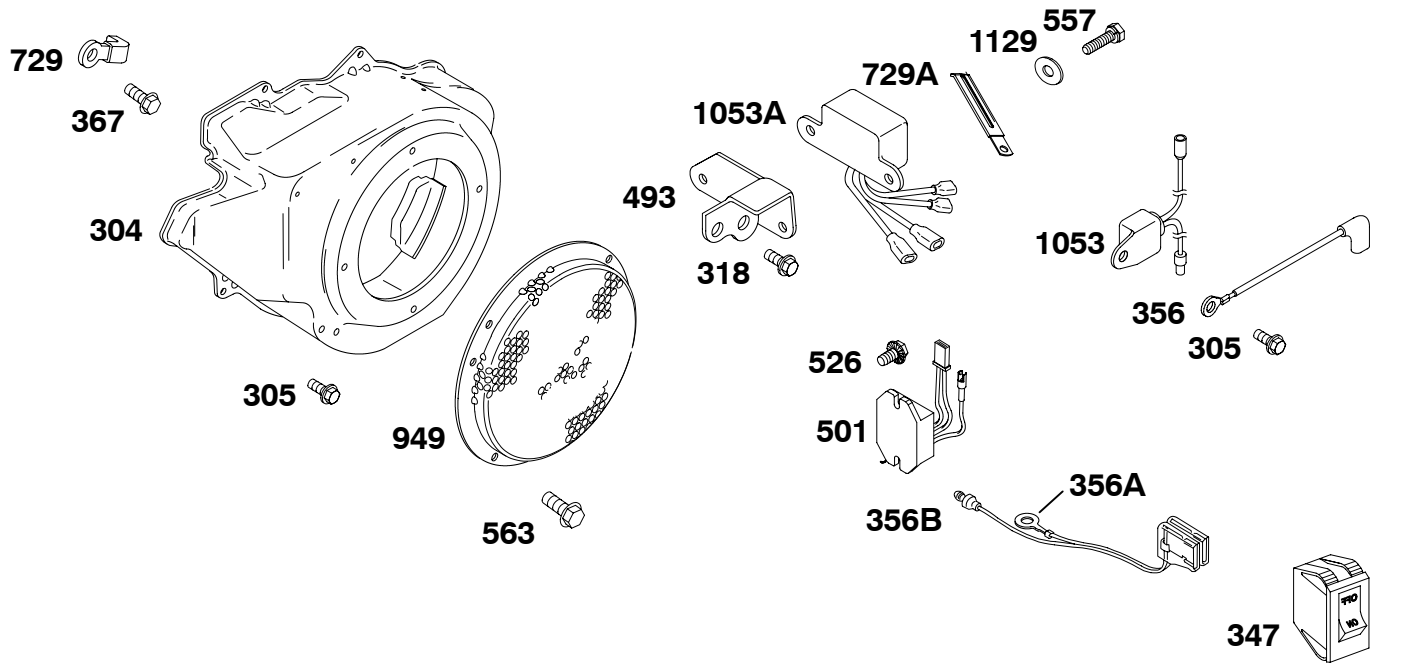
★ Included in Engine Gasket Set-Ref. No. 358.

◆ Included in Carburetor Gasket Set-Ref. No. 977.

● Included in Carburetor Overhaul Kit-Ref. No. 121.

△ Included in Valve Gasket Set-Ref. No. 1095.

# 245400 to 245499



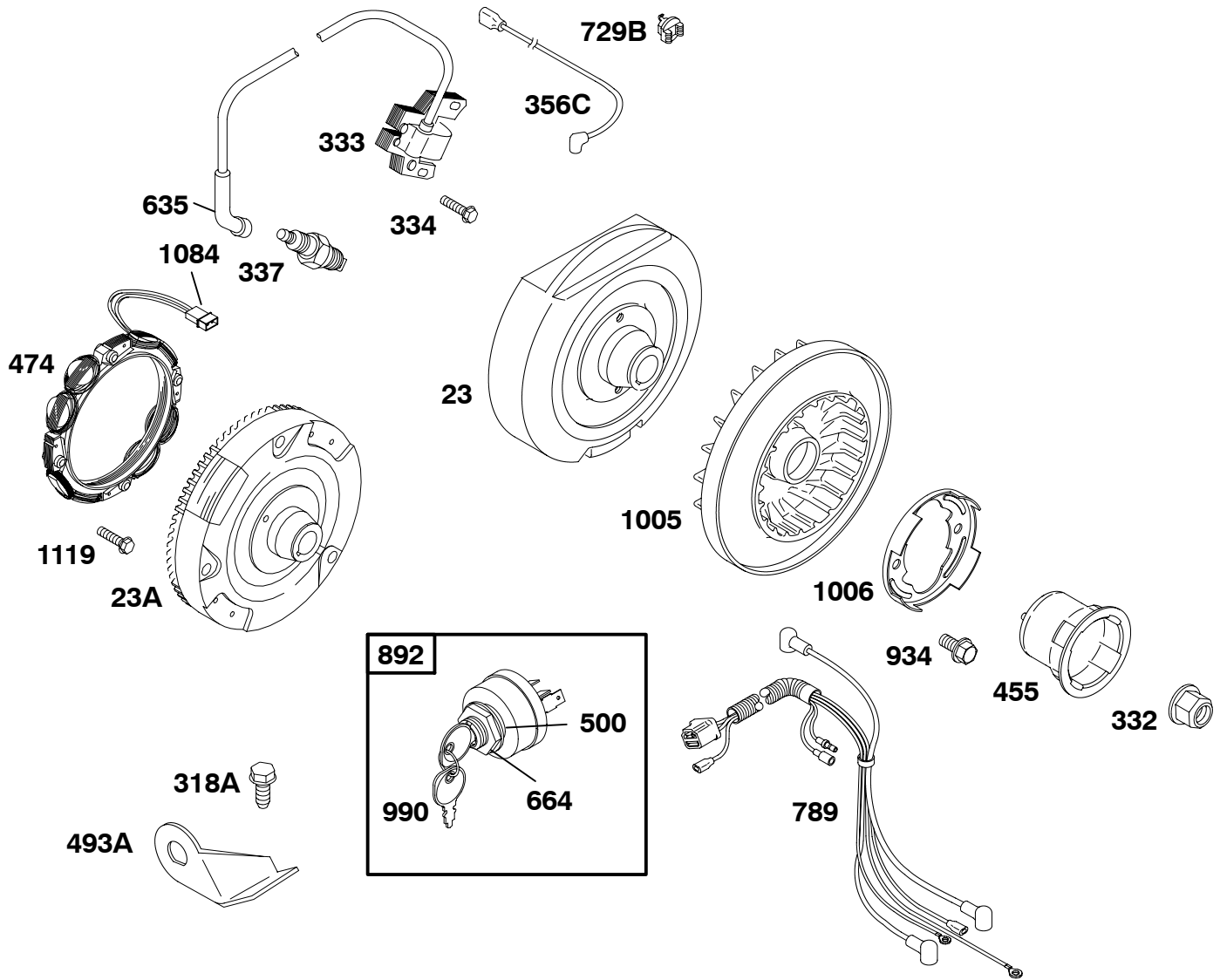
REF. NO.	PART NO.	DESCRIPTION	REF. NO.	PART NO.	DESCRIPTION	REF. NO.	PART NO.	DESCRIPTION
304	711286	Housing-Blower (Red)(Electric Start)	347	711764	Switch-Rocker	557	710781	Screw (Oil Gard® Module)
		----- <b>Note</b> -----	356	710120	Wire-Stop	563	710074	Screw (Debris Guard Screen)
		710574 Housing-Blower (Red)(Electric Start) Used on Type No(s). 0284A1.	356A	711839	Wire-Stop	729	710083	Clip-Wire
		711937 Housing-Blower (Black)(Rewind Start)	356B	711840	Wire-Stop	729A	710407	Clip-Wire Used on Type No(s). 0299.
305	710023	Screw (Blower Housing)	367	710023	Screw (Wire Clip)	949	690475	Guard-Debris Screen
318	710023	Screw (Mounting Bracket)	493	710085	Bracket-Mounting (Oil Gard® Module) Used on Type No(s). 0299.	1053	710305	Module-Oil Gard®
			501	691185	Regulator	1053A	710408	Module-Oil Gard® Used on Type No(s). 0299.
			526	710057	Screw (Regulator)	1129	710415	Screw (Oil Gard® Module)

★ Included in Engine Gasket Set-Ref. No. 358.

◆ Included in Carburetor Gasket Set-Ref. No. 977.

● Included in Carburetor Overhaul Kit-Ref. No. 121.

△ Included in Valve Gasket Set-Ref. No. 1095.



REF. NO.	PART NO.	DESCRIPTION	REF. NO.	PART NO.	DESCRIPTION	REF. NO.	PART NO.	DESCRIPTION			
23	715265	Flywheel (For Rewind Starter)	337	491055	Plug-Spark	500	691086	Washer (Key Switch)			
23A	715258	Flywheel (Electric Start)	356C	710324	Wire-Stop	635	710901	Boot-Spark Plug			
		----- Note -----			710097 Wire-Stop	664	691087	Nut (Key Switch)			
		Used on Type No(s). 0299.			455	710588	Cup-Flywheel	729B	710046	Clip-Wire	
		715260 Flywheel (Electric Start)			----- Note -----			789	710576	Harness-Wiring	
		Used on Type No(s). 0084, 0128, 0284, 0528, 0539, 0541.			710820 Cup-Flywheel	892	692318	Switch-Key	934	710550	Screw (Fan Retainer)
318A	710057	Screw (Mounting Bracket)			Used on Type No(s). 0299.			990	691959	Key Set	
332	710345	Nut (Flywheel)	474	715798	Alternator	1005	691905	Fan-Flywheel	1006	690452	Retainer-Fan
333	492341	Armature-Magneto	493A	710575	Bracket-Mounting (Key Switch)	1084	710386	Connector-Terminal	1119	690938	Screw (Alternator)
334	690938	Screw (Magneto Armature)									

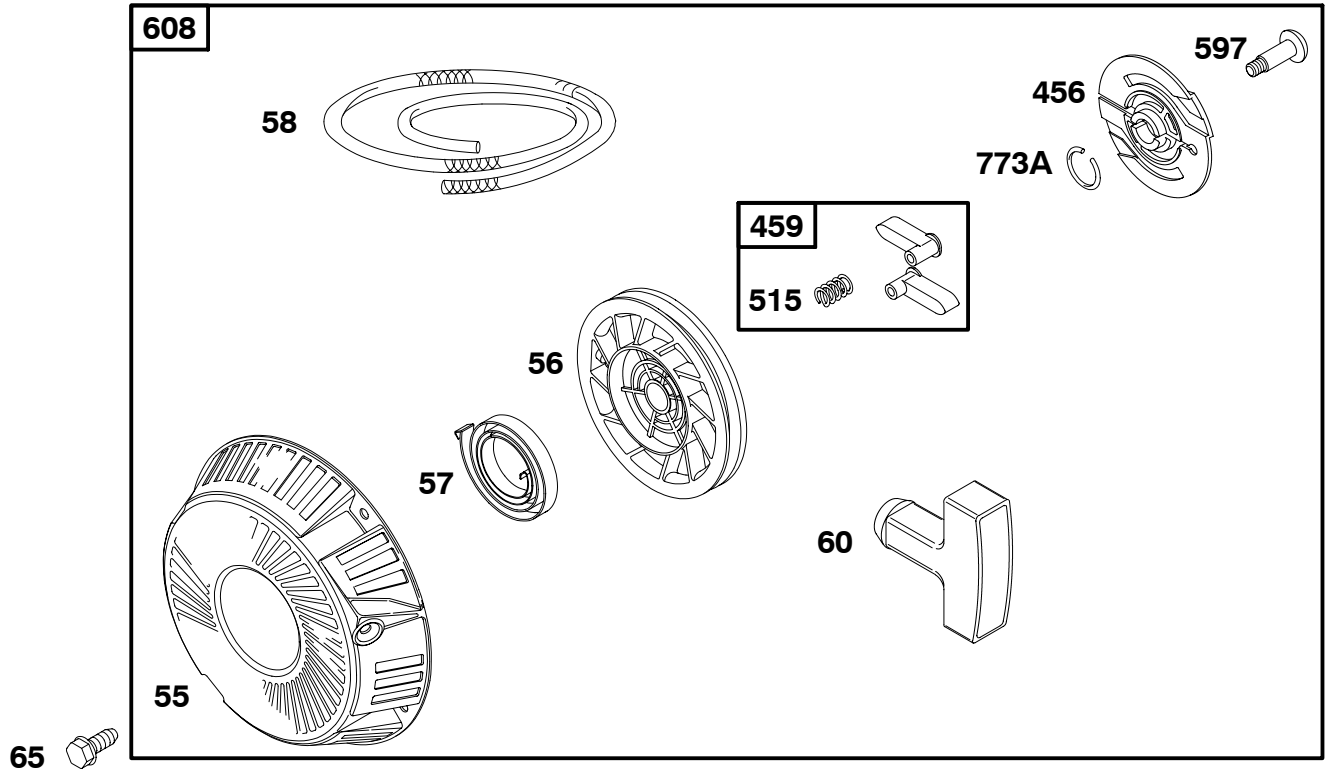
★ Included in Engine Gasket Set-Ref. No. 358.

◆ Included in Carburetor Gasket Set-Ref. No. 977.

● Included in Carburetor Overhaul Kit-Ref. No. 121.

△ Included in Valve Gasket Set-Ref. No. 1095.

# 245400 to 245499



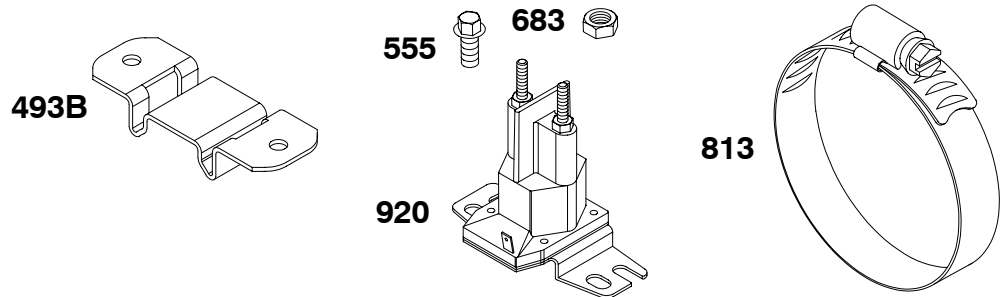
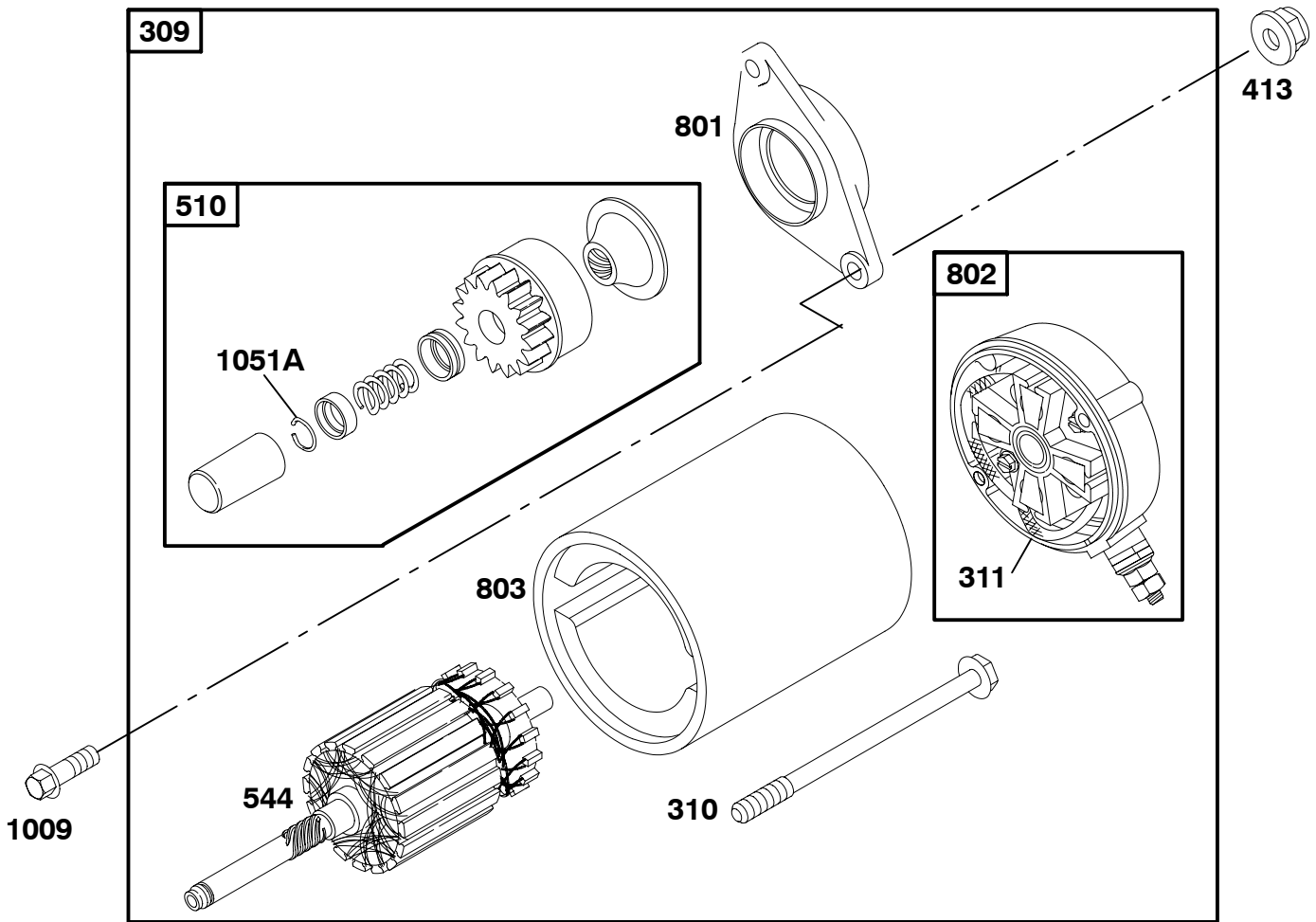
REF. NO.	PART NO.	DESCRIPTION	REF. NO.	PART NO.	DESCRIPTION	REF. NO.	PART NO.	DESCRIPTION
55	691568	Housing-Rewind Starter	60	490652	Grip-Starter Rope	597	690876	Screw (Pawl Friction Plate)
56	692085	Pulley-Starter	65	710074	Screw (Rewind Starter)	608	692102	Starter-Rewind
57	692086	Spring-Rewind Starter	456	691529	Plate-Pawl Friction	773A	690875	Retainer
58	66574	Rope-Starter (Cut to Required Length)	459	808166	Pawl-Ratchet			
			515	691528	Spring-Pawl			

★ Included in Engine Gasket Set-Ref. No. 358.

◆ Included in Carburetor Gasket Set-Ref. No. 977.

● Included in Carburetor Overhaul Kit-Ref. No. 121.

△ Included in Valve Gasket Set-Ref. No. 1095.



REF. NO.	PART NO.	DESCRIPTION	REF. NO.	PART NO.	DESCRIPTION	REF. NO.	PART NO.	DESCRIPTION
309	715208	Motor-Starter (Steel Pinion)	510	496881	Drive-Starter	801	715394	Cap-Drive
310	710589	Bolt (Starter Motor)	544		Armature-Starter (Service With Starter Motor 715208)	802	715393	Cap-End
311	496887	Brush Set	555	810059	Screw (Starter Solenoid)	803	690854	Housing-Starter
413	710081	Nut (Starter Motor)	683	691029	Nut (Starter Solenoid)	813	690635	Clamp
493B	691177	Bracket-Mounting				920	691656	Solenoid-Starter
						1009	710348	Screw (Starter Motor)
						1051A	691124	Ring-Retaining

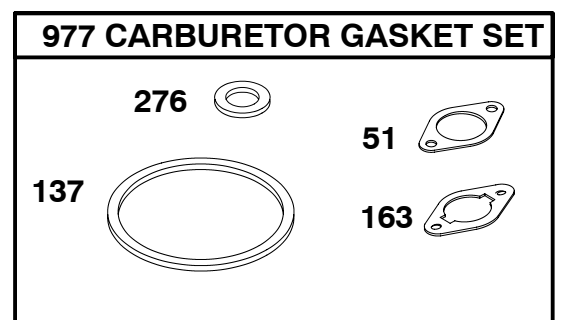
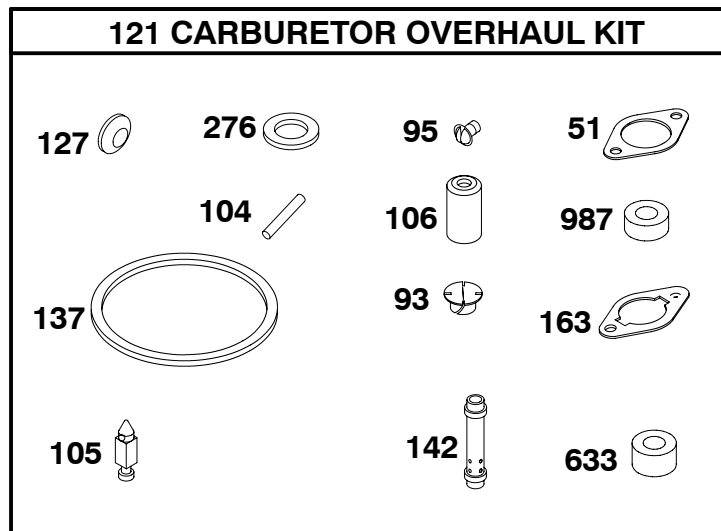
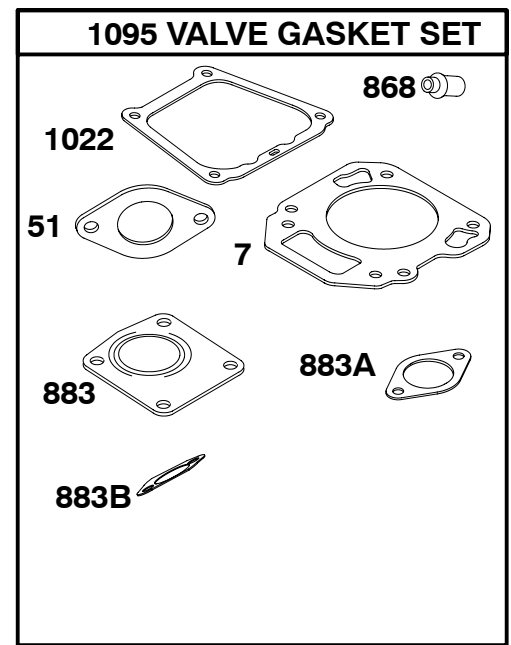
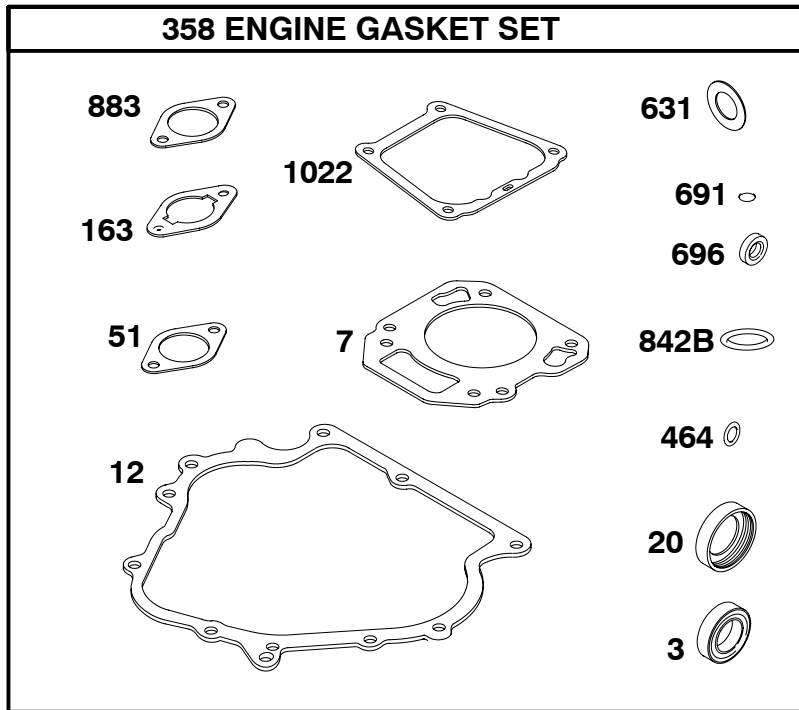
★ Included in Engine Gasket Set-Ref. No. 358.

◆ Included in Carburetor Gasket Set-Ref. No. 977.

● Included in Carburetor Overhaul Kit-Ref. No. 121.

△ Included in Valve Gasket Set-Ref. No. 1095.

# 245400 to 245499



REF. NO.	PART NO.	DESCRIPTION	REF. NO.	PART NO.	DESCRIPTION	REF. NO.	PART NO.	DESCRIPTION
	3	★291675s Seal-Oil (Magneto Side)		106	●690577 Seat-Inlet		358	715383 Gasket Set-Engine
	7	Δ★710539 Gasket-Cylinder Head		121	715707 Kit-Carburetor Overhaul (Carburetor Part No. 715330)		464	★710069 Seal-O Ring (Fuel Shut Off Valve)
	12	★710378 Gasket-Crankcase		127	●695005 Plug-Welch		631	★710004 Washer (Oil Drain Plug)
	20	★291675s Seal-Oil (PTO Side)		137	●281165s Gasket-Float Bowl		633	●690597 Seal-Choke/Throttle Shaft
	51	★710559 Gasket-Intake		142	●691462 Nozzle-Carburetor (Standard)		691	★710055 Seal-Governor Shaft
	93	●690602 Bushing-Throttle Shaft		163	★710557 Gasket-Air Cleaner		696	★710091 Seal-O Ring
	95	●691636 Screw (Throttle Valve)		276	●692255 Washer-Sealing		842B	★710218 Seal-O Ring
	104	●690525 Pin-Float Hinge					868	Δ710863 Seal-Valve
	105	●231855s Valve-Float Needle						

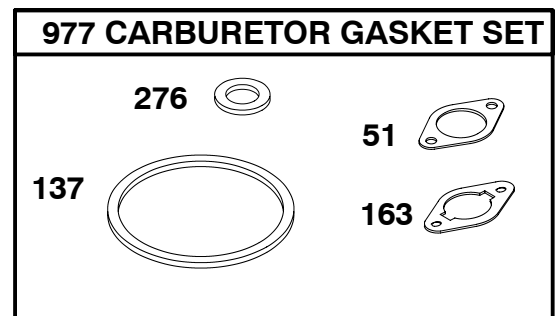
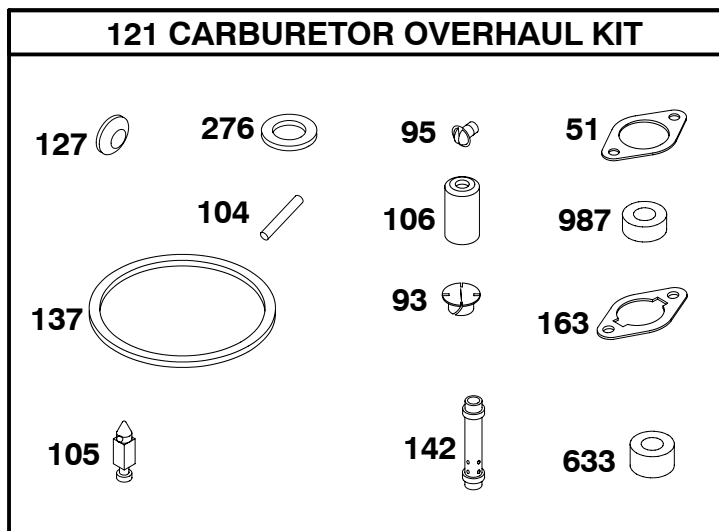
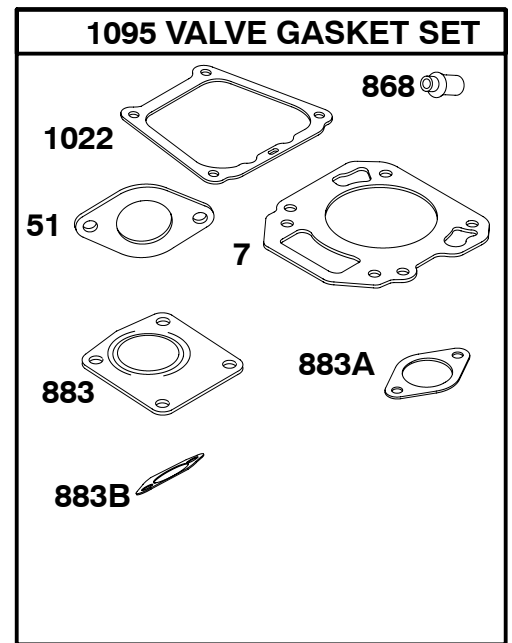
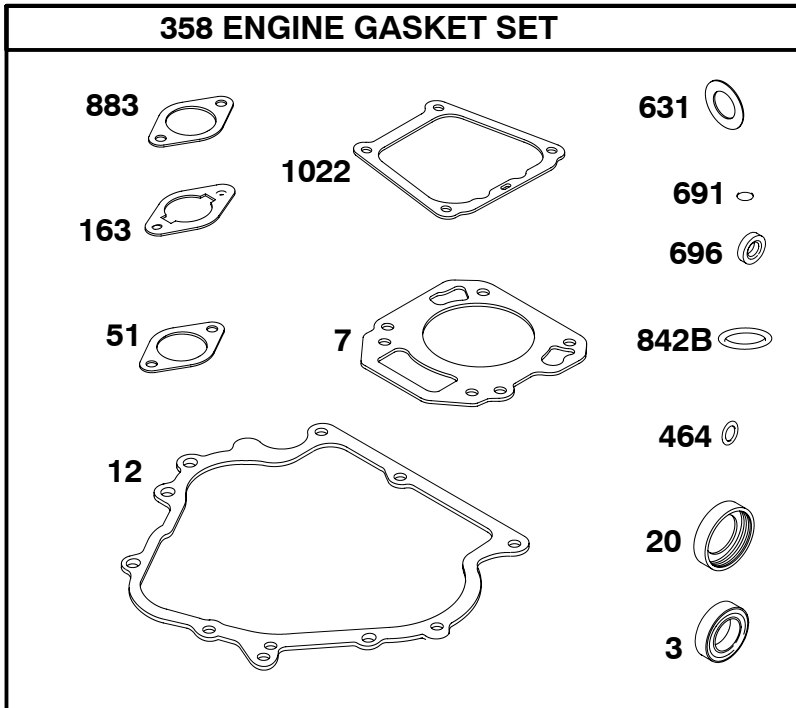
★ Included in Engine Gasket Set-Ref. No. 358.

◆ Included in Carburetor Gasket Set-Ref. No. 977.

● Included in Carburetor Overhaul Kit-Ref. No. 121.

Δ Included in Valve Gasket Set-Ref. No. 1095.





REF. NO.	PART NO.	DESCRIPTION	REF. NO.	PART NO.	DESCRIPTION	REF. NO.	PART NO.	DESCRIPTION
883	Δ★711182	Gasket-Exhaust	977	715391	Gasket Set-Carburetor	1022	Δ★710377	Gasket-Rocker Cover
883A	Δ★710250	Gasket-Exhaust	987	●691326	Seal-Throttle Shaft	1095	715386	Gasket Set-Valve
883B	Δ★711181	Gasket-Exhaust						

★ Included in Engine Gasket Set-Ref. No. 358.  
 ◆ Included in Carburetor Gasket Set-Ref. No. 977.

● Included in Carburetor Overhaul Kit-Ref. No. 121.  
 Δ Included in Valve Gasket Set-Ref. No. 1095.