



Illustrated Parts List

Model Series

12S900

TYPE NUMBERS
0100 through 1411.

TABLE OF CONTENTS

Air Cleaner	6
Alternator	8
Blower Housing	2
Camshaft	16
Carburetor	6
Carburetor Overhaul Kit	20
Control Bracket	6
Crankshaft	18
Cylinder	18
Cylinder Head	14
Electrical System	8
Exhaust System	12
Flywheel	10
Fuel Supply	4
Gasket Sets	20
Governor Spring	6
Guards	12
Lubrication	4
Operator's Manual	2
Piston/Rings/Connecting Rod	18
Rewind Starter	2
Shields	12
Sump	16
Thermostat	12
Valves	14
Warning Label	2



PRINTED IN U.S.A.

COPYRIGHT by BRIGGS & STRATTON CORPORATION
All rights reserved. No part of this material may be reproduced or transmitted, in any form or by any means, electronic or mechanical, including photocopying, recording or by any information storage and retrieval system, without permission in writing from Briggs & Stratton Corporation.

12S900

1058 OPERATOR'S MANUAL

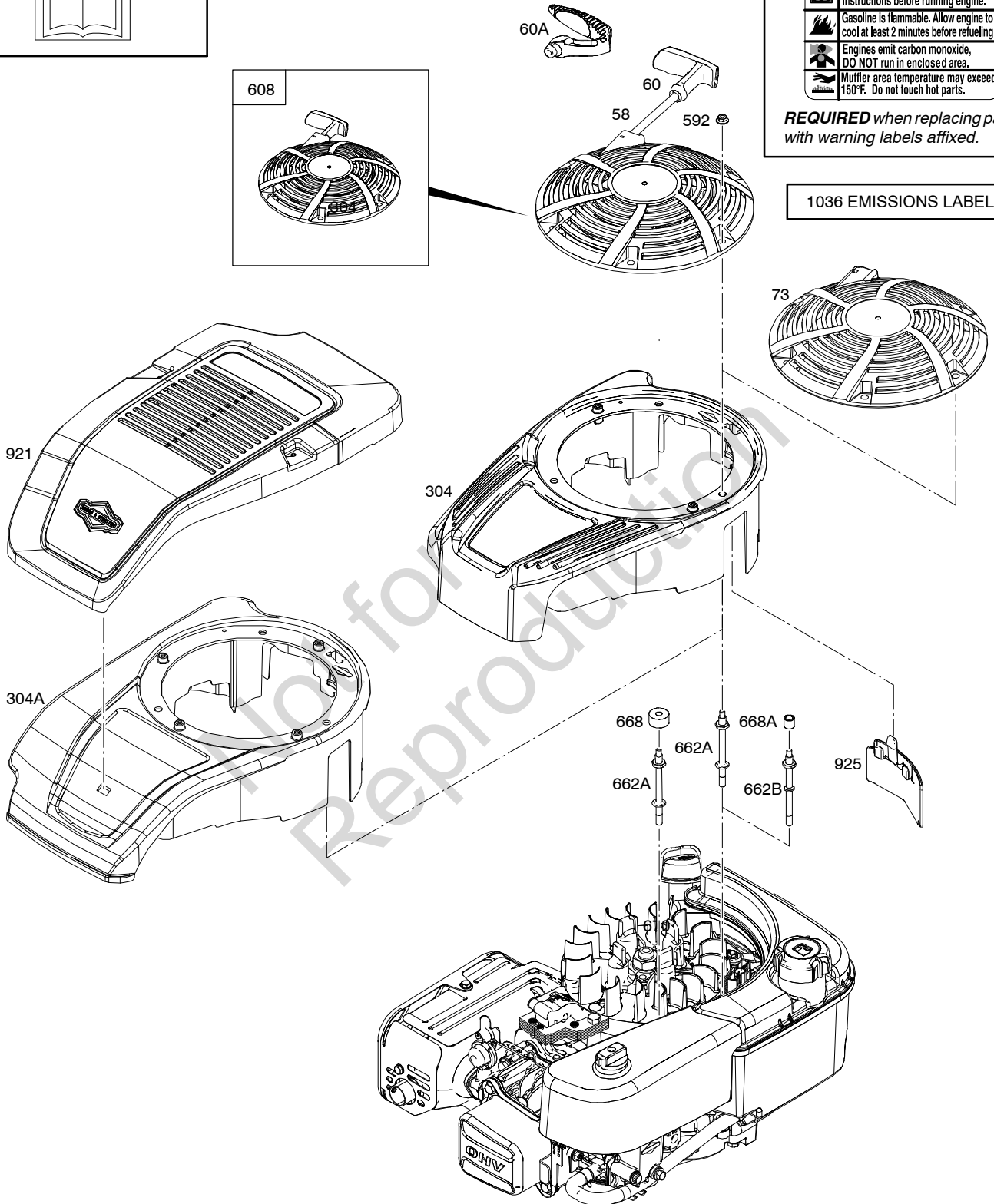


1319 WARNING LABEL

WARNING	
	Read and follow Operating Instructions before running engine.
	Gasoline is flammable. Allow engine to cool at least 2 minutes before refueling.
	Engines emit carbon monoxide, DO NOT run in enclosed area.
	Muffler area temperature may exceed 150°F. Do not touch hot parts.

REQUIRED when replacing parts with warning labels affixed.

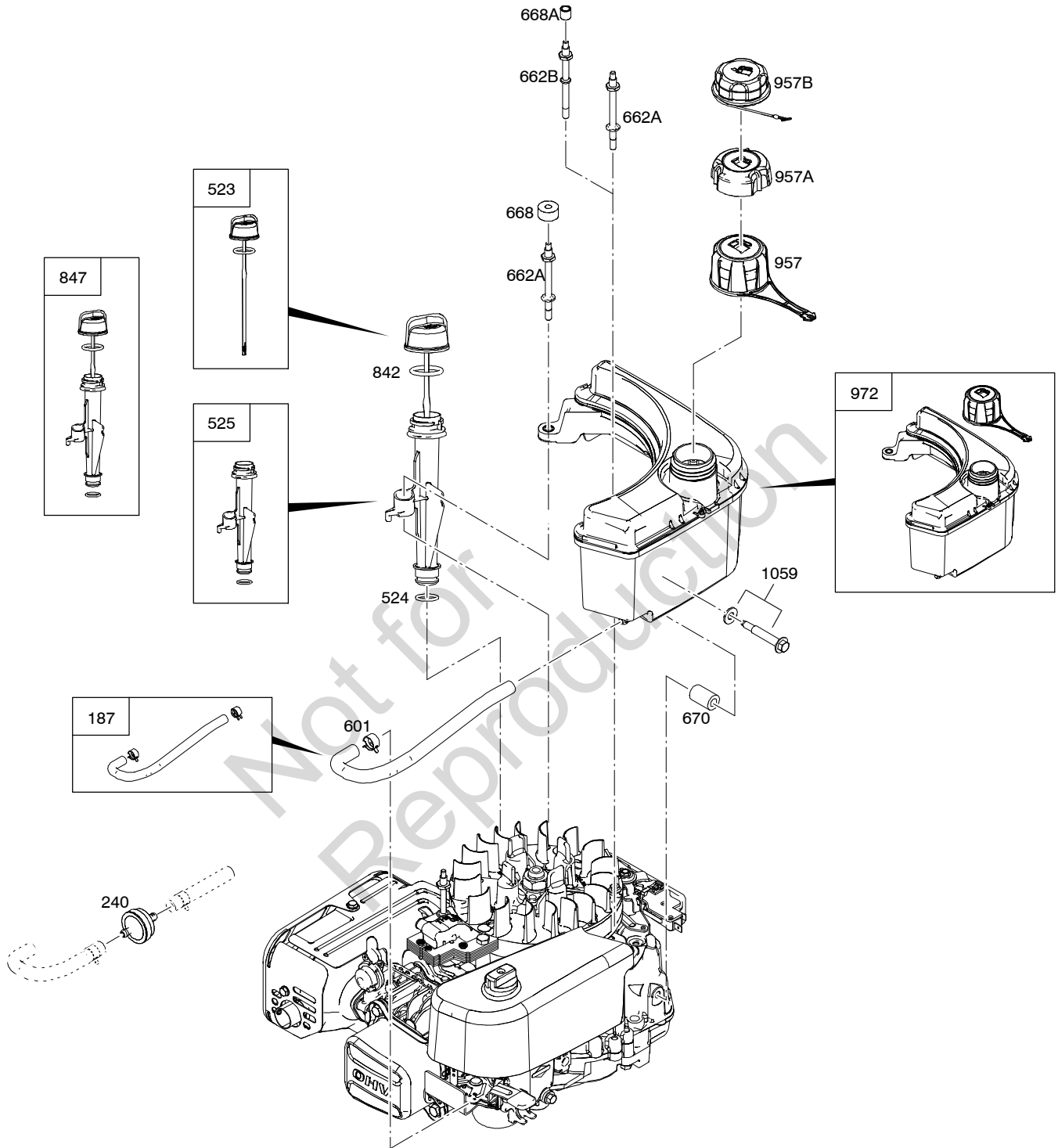
1036 EMISSIONS LABEL



Illustrations cover a range of engines. Parts shown without text may not be used on your specific engine.

REF. NO.	PART NO.	DESCRIPTION	REF. NO.	PART NO.	DESCRIPTION	REF. NO.	PART NO.	DESCRIPTION
58	697316	Rope-Starter (88-5/8" Long) (Cut to Required Length)	1036		Label-Emissions (Available From A Briggs & Statton Authorized Dealer)			
60	281434S	Grip-Starter Rope	1058	278415	Manual-Operator's			
60A	795426	Grip-Starter Rope	1319	794467	Label-Warning			
73	798337	Screen-Rotating Used on Type No(s). 0141.						
304	796692	Housing-Blower (Rewind Start) Used on Type No(s). 0100, 0121, 0122, 0123, 0124, 0126, 0128, 0129, 0135, 0137, 0139, 0142, 1368.						
304	796693	Housing- Blower (Electric Start) Used on Type No(s). 0127, 0132, 0134, 0136, 0144, 0146, 0707, 0732, 1257, 1369.						
304A	798333	Housing- Blower (Electric Start) Used on Type No(s). 0141, 1411.						
592	793481	Nut (Rewind Starter)						
608	796497	Starter-Rewind						
662A	793479	Stud (Rewind Starter)						
662B	797002	Stud (Rewind Starter) (Used With Alternator Only)						
668	797373	Spacer Used on Type No(s). 0130.						
668A	797383	Spacer Used on Type No(s). 0130.						
921	798356	Cover-Blower Housing Used on Type No(s). 0141.						
925	796531	Cover-Linkage Used on Type No(s). 0121, 0122, 0123, 0128, 0130, 0139, 0142, 1411.						

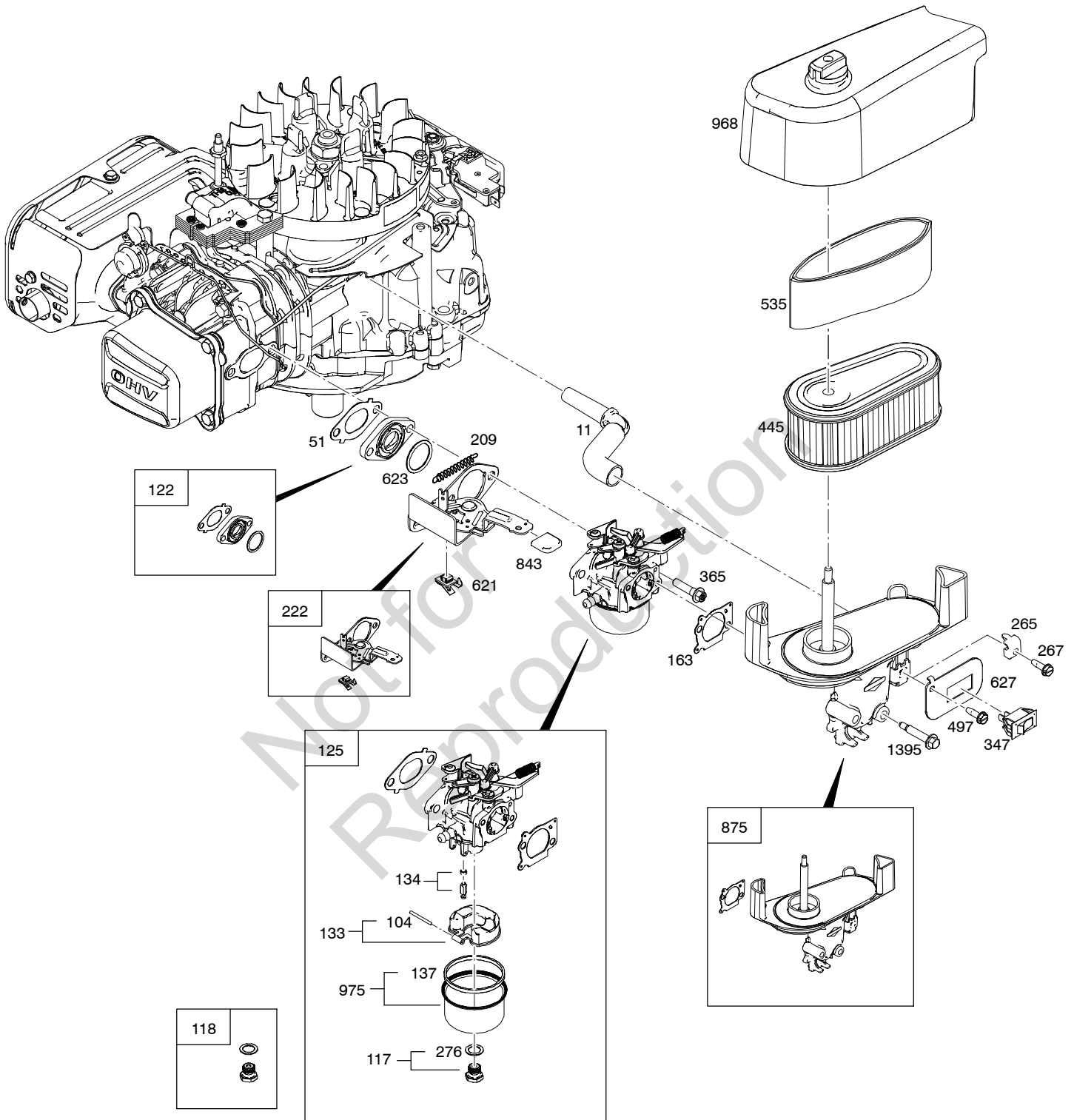
Illustrations cover a range of engines. Parts shown without text may not be used on your specific engine.



Illustrations cover a range of engines. Parts shown without text may not be used on your specific engine.

REF. NO.	PART NO.	DESCRIPTION	REF. NO.	PART NO.	DESCRIPTION	REF. NO.	PART NO.	DESCRIPTION
187	796491	Line-Fuel (Formed Hose)						
240	298090S	Filter-Fuel Used on Type No(s). 0130.						
523	796503	Dipstick						
524	692296	Seal-Dipstick Tube						
525	796502	Tube-Dipstick						
601	791850	Clamp-Hose						
662A	793479	Stud (Rewind Starter)						
662B	797002	Stud (Rewind Starter) (Used With Alternator Only)						
668	797373	Spacer Used on Type No(s). 0130.						
668A	797383	Spacer Used on Type No(s). 0130.						
670	793485	Spacer-Fuel Tank						
842	691031	Seal-O Ring (Dipstick Tube)						
847	796501	Dipstick/Tube Assembly						
957	796577	Cap-Fuel Tank (EVAP)						
957A	692046	Cap-Fuel Tank (Plastic)						
957B	699985	Cap-Fuel Tank (Fresh Start)						
972	796489	Tank-Fuel (EVAP)						
972	798336	Tank-Fuel (EVAP) (With Gage) Used on Type No(s). 0141						
1059	793471	Kit-Screw/Washer						

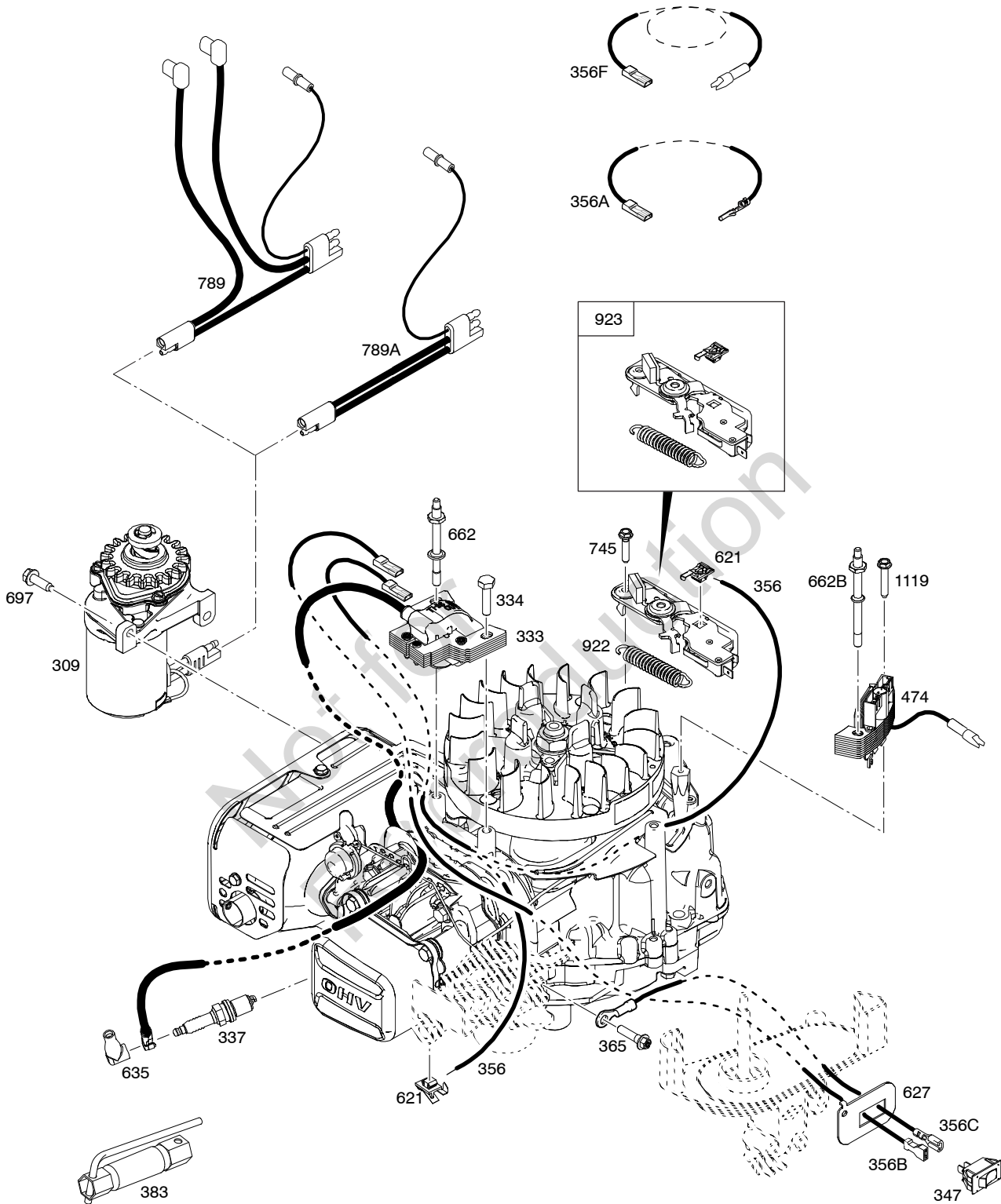
Illustrations cover a range of engines. Parts shown without text may not be used on your specific engine.



Illustrations cover a range of engines. Parts shown without text may not be used on your specific engine.

REF. NO.	PART NO.	DESCRIPTION	REF. NO.	PART NO.	DESCRIPTION	REF. NO.	PART NO.	DESCRIPTION
11	796478	Tube-Breather	209	793604	Spring-Governor Used on Type No(s). 0121, 0122, 0123, 0142.	627	796702	Bracket-Stopswitch Used on Type No(s). 0121, 0122, 0123, 0142.
51	796596	Gasket-Intake	209	796483	Spring-Governor Used on Type No(s). 0124, 0130, 0135, 0136, 0146.	843	691884	Sleeve-Lever Used on Type No(s). 0128, 0139.
104	691242	Pin-Float Hinge	209	796484	Spring-Governor Used on Type No(s). 0100, 0128, 0132, 0134, 0141, 0144, 0707, 0732, 1257, 1368, 1369, 1411.	875	796492	Base-Air Cleaner
117	697355	Jet-Main (Standard) Used on Type No(s). 0100, 0121, 0122, 0123, 0124, 0126, 0127, 0128, 0129, 0130, 0132, 0134, 0135, 0136, 0137, 0139, 0141, 0142, 0144, 0146, 0707, 0732, 1257, 1368, 1369, 1411.	209	796926	Spring-Governor Used on Type No(s). 0126, 0127, 0129, 0137, 0139.	968	796493	Cover-Air Cleaner
118	494870	Jet-Main (High Altitude) Used on Type No(s). 0100, 0121, 0122, 0123, 0124, 0126, 0127, 0128, 0129, 0130, 0132, 0134, 0135, 0136, 0137, 0139, 0141, 0142, 0144, 0146, 0707, 0732, 1257, 1368, 1369, 1411.	222	796482	Bracket-Control (Manual Friction, Remote, & Fixed Speed Control)	975	796611	Bowl-Float
122	796595	Spacer-Carburetor	265	690798	Clamp-Casing	1395	690349	Screw (Air Cleaner Base to Carburetor)
125	796608	Carburetor Used on Type No(s). 0100, 0121, 0122, 0123, 0124, 0126, 0127, 0128, 0129, 0130, 0132, 0134, 0135, 0136, 0137, 0141, 0142, 0144, 0146, 0707, 0732, 1257, 1368, 1369, 1411.	265	691024	Clamp-Casing Used on Type No(s). 0130.			
125	797736	Carburetor Used on Type No(s). 0139.	267	691044	Screw (Casing Clamp)			
133	398187	Float-Carburetor	276	271716	Washer-Sealing			
134	398188	Kit-Needle/Seat	347	795333	Switch-Rocker Used on Type No(s). 0121, 0122, 0123, 0142.			
137	796610	Gasket-Float Bowl	365	793458	Screw (Carburetor)			
163	691894	Gasket-Air Cleaner	445	795066	Filter-Air Cleaner Cartridge			
			497	691044	Screw (Stopswitch Bracket) Used on Type No(s). 0121, 0122, 0123, 0142.			
			535	796254	Filter-Air Cleaner Foam			
			621	692310	Switch-Stop			
			623	793628	Seal-O Ring			

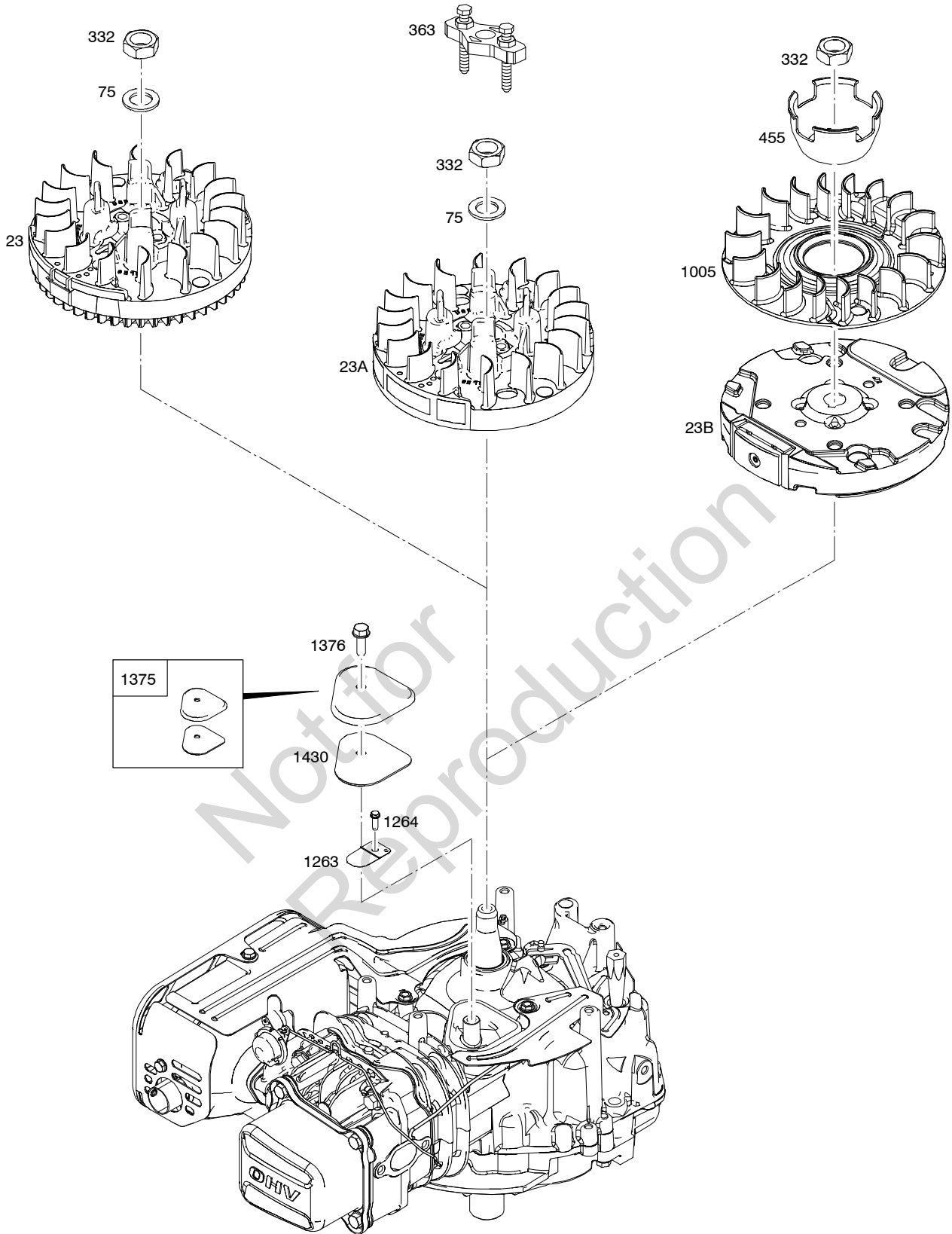
Illustrations cover a range of engines. Parts shown without text may not be used on your specific engine.



Illustrations cover a range of engines. Parts shown without text may not be used on your specific engine.

REF. NO.	PART NO.	DESCRIPTION	REF. NO.	PART NO.	DESCRIPTION	REF. NO.	PART NO.	DESCRIPTION
309	796842	Motor-Starter Used on Type No(s). 0127, 0130, 0132, 0134, 0136, 0144, 0146, 0707, 0732, 1257, 1369, 1411.	356B	692602	Wire-Stop Used on Type No(s). 0121, 0122, 0123, 0142.	789	792685	Harness-Wiring Used on Type No(s). 0127, 0132, 0134, 0141, 0144, 0707, 0732, 1257.
333	796499	Armature-Magneto Used on Type No(s). 0100, 0124, 0126, 0127, 0129, 0132, 0134, 0135, 0136, 0137, 0141, 0144, 0146, 0707, 0732, 1257, 1368, 1369.	356C	695630	Wire-Stop Used on Type No(s). 0121, 0122, 0123, 0142.	789A	696546	Harness-Wiring Used on Type No(s). 0130, 1411.
333	796500	Armature- Magneto Used on Type No(s). 0121, 0122, 0123, 0128, 0130, 0139, 0142, 1411.	356F	798332	Wire-Stop Used on Type No(s). 1411.	922	692135	Spring-Brake Used on Type No(s). 0100, 0124, 0126, 0127, 0129, 0132, 0134, 0135, 0136, 0137, 0141, 0144, 0146, 0707, 0732, 1257, 1368, 1369.
334	793454	Screw (Magneto Armature)	365	793458	Screw (Carburetor)	923	796635	Brake Used on Type No(s). 0100, 0124, 0126, 0127, 0129, 0132, 0134, 0135, 0136, 0137, 0141, 0144, 0146, 0707, 0732, 1257, 1368, 1369.
337	692051	Plug-Spark Used on Type No(s). 0100, 0121, 0122, 0123, 0126, 0127, 0129, 0132, 0135, 0136, 0137, 0139, 0141, 0142, 0144, 0146, 0707, 0732, 1257, 1368, 1369, 1411.	383	19374S	Wrench-Spark Plug	1119	794100	Screw (Alternator) Used on Type No(s). 0127, 0130, 0141, 1411.
337	692720	Plug-Spark Used on Type No(s). 0124, 0128, 0130, 0134.	474	794103	Alternator Used on Type No(s). 0127, 0130, 0141, 1411.			
347	795333	Switch-Rocker Used on Type No(s). 0121, 0122, 0123, 0142.	621	692310	Switch-Stop			
356	692390	Wire-Stop Used on Type No(s). 0100, 0124, 0126, 0127, 0128, 0129, 0132, 0134, 0135, 0136, 0137, 0139, 0141, 0144, 0146, 0707, 0732, 1257, 1368, 1369.	627	796702	Bracket-Stopswitch Used on Type No(s). 0121, 0122, 0123, 0142.			
356A	797743	Wire-Stop Used on Type No(s). 0130.	635	66538S	Boot-Spark Plug			
			662	796537	Stud (Rewind Starter)			
			662B	797002	Stud (Rewind Starter) (Used With Alternator Only)			
			697	691127	Screw (Drive Cap) Used on Type No(s). 0127, 0132, 0130, 0134, 0136, 0141, 0144, 0146, 0707, 0732, 1257, 1369, 1411.			
			745	698557	Screw (Brake) Used on Type No(s). 0100, 0124, 0126, 0127, 0129, 0132, 0134, 0135, 0136, 0137, 0141, 0144, 0146, 0707, 0732, 1257, 1368, 1369.			

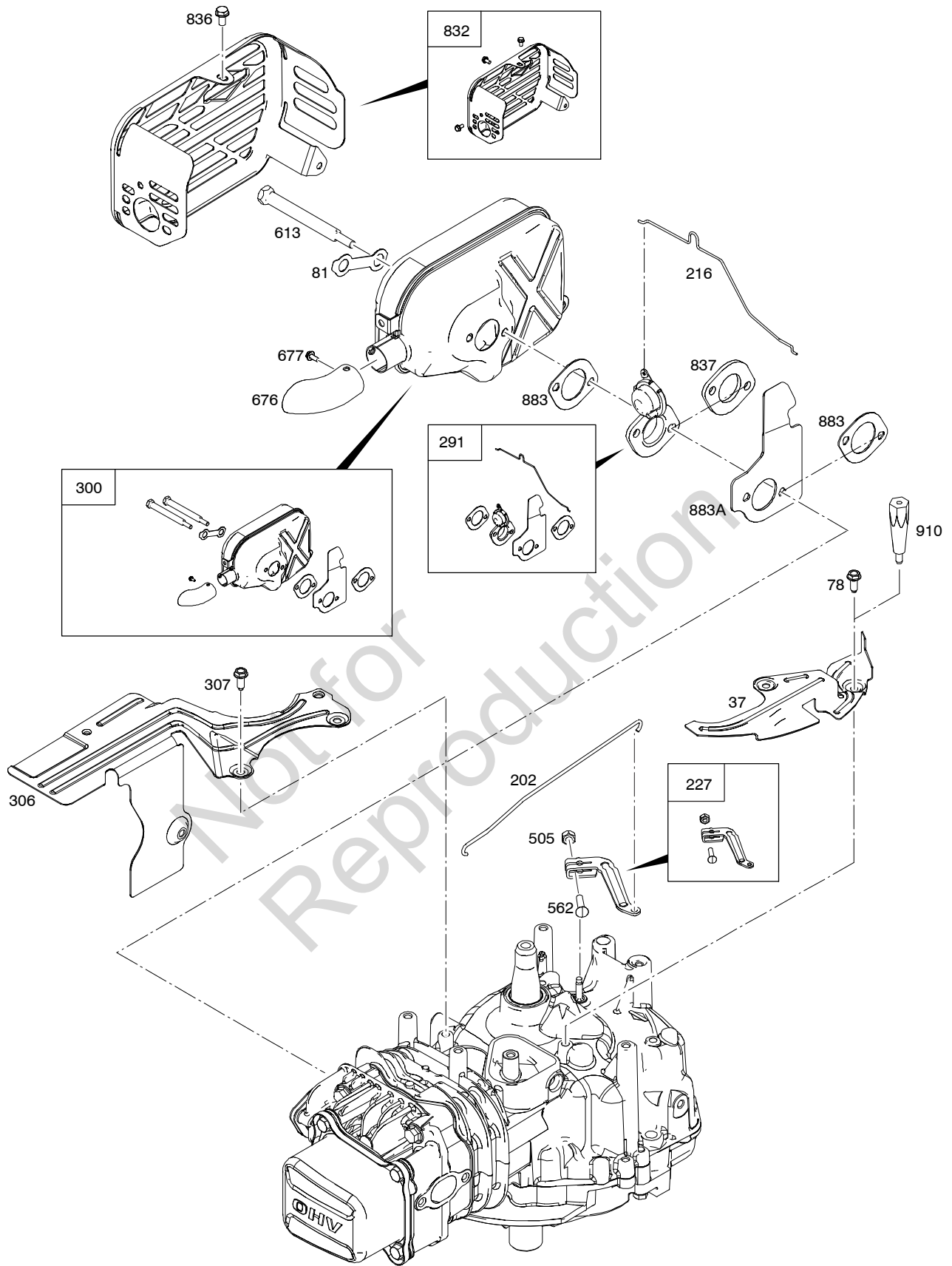
Illustrations cover a range of engines. Parts shown without text may not be used on your specific engine.



Illustrations cover a range of engines. Parts shown without text may not be used on your specific engine.

REF. NO.	PART NO.	DESCRIPTION	REF. NO.	PART NO.	DESCRIPTION	REF. NO.	PART NO.	DESCRIPTION
23	796619	Flywheel (Aluminum) Used on Type No(s). 0127, 0132, 0134, 0136, 0141, 0144, 0146, 0707, 0732, 1257, 1369.						
23	797386	Flywheel (Zinc) Used on Type No(s). 0130, 1411.						
23A	796617	Flywheel (Aluminum) Used on Type No(s). 0100, 0124, 0126, 0129, 0135, 0137, 1368.						
23B	796623	Flywheel (Cast Iron) Used on Type No(s). 0121, 0122, 0123, 0128, 0139, 0142.						
75	691736	Washer (Flywheel) Used on Type No(s). 0100, 0124, 0126, 0127, 0129, 0130, 0132, 0134, 0135, 0136, 0137, 0141, 0144, 0146, 1368, 1369, 0707, 0732, 1257, 1411.						
332	690662	Nut (Flywheel)						
363	19069	Puller-Flywheel						
455	796615	Cup-Flywheel Used on Type No(s). 0121, 0122, 0123, 0128, 0139, 0142.						
1005	796614	Fan-Flywheel Used on Type No(s). 0121, 0122, 0123, 0128, 0139, 0142.						
1263	697124	Reed-Breather						
1264	793453	Screw (Breather Reed)						
1375	796476	Cover-Breather/Reed						
1376	794451	Screw (Breather/Reed Cover)						
1430	796477	Gasket-Breather/Reed						

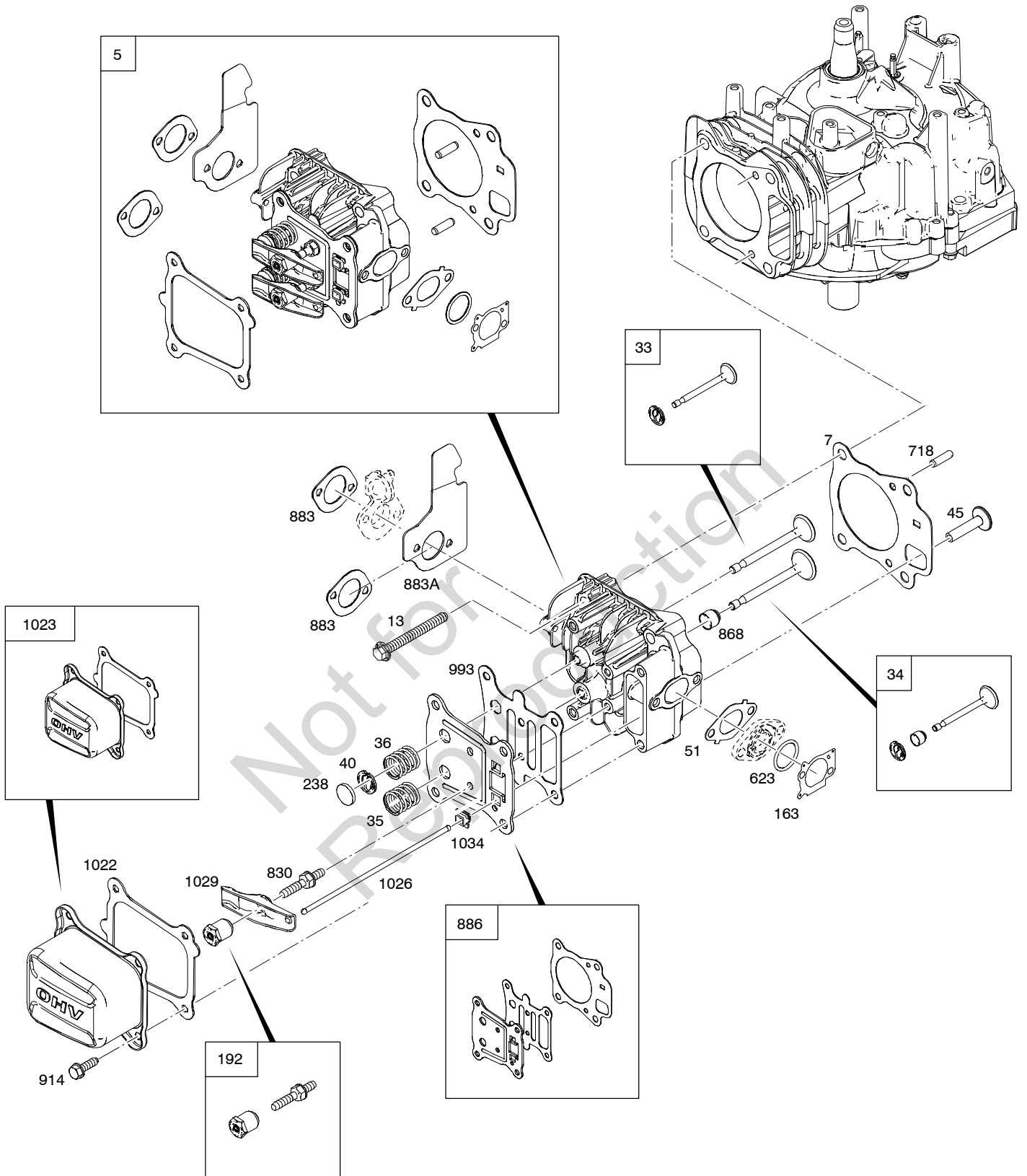
Illustrations cover a range of engines. Parts shown without text may not be used on your specific engine.



Illustrations cover a range of engines. Parts shown without text may not be used on your specific engine.

REF. NO.	PART NO.	DESCRIPTION	REF. NO.	PART NO.	DESCRIPTION	REF. NO.	PART NO.	DESCRIPTION
37	796536	Guard-Flywheel	837	797735	Spacer-Muffler			
78	793480	Screw (Flywheel Guard)			Used on Type No(s). 0139.			
81	691740	Lock-Muffler Screw	883	793497	Gasket-Exhaust			
202	796657	Link-Mechanical Governor	883A	796677	Gasket-Exhaust			
216	796485	Link-Choke	910	796498	Stud (Alternator)			
227	796487	Lever-Governor Control			Used on Type No(s). 0127, 0130, 0141, 1411.			
291	796486	Thermostat						
300	796495	Muffler-Exhaust						
306	796534	Shield-Cylinder Used on Type No(s). 0100, 0121, 0122, 0123, 0124, 0126, 0128, 0129, 0135, 0137, 0139, 0141, 0142, 1368.						
306	796535	Shield-Cylinder Used on Type No(s). 0127, 0130, 0132, 0134, 0136, 0144, 0146, 0707, 0732, 1257, 1369, 1411.						
307	793480	Screw (Cylinder Shield)						
505	793515	Nut (Governor Control Lever)						
562	793514	Bolt (Governor-Control Lever)						
613	796496	Screw (Muffler)						
676	692010	Deflector-Muffler						
677	690661	Screw (Muffler Deflector)						
832	796494	Guard-Muffler Used on Type No(s). 0121, 0122, 0123, 0124, 0126, 0127, 0129, 0132, 0134, 0135, 0136, 0137, 0139, 0141, 0142, 0144, 0146, 1368, 1369, 1411.						
836	793500	Screw (Muffler Guard) Used on Type No(s). 0121, 0122, 0123, 0124, 0126, 0127, 0129, 0132, 0134, 0135, 0136, 0137, 0139, 0141, 0142, 0144, 0146, 1368, 1369, 1411.						

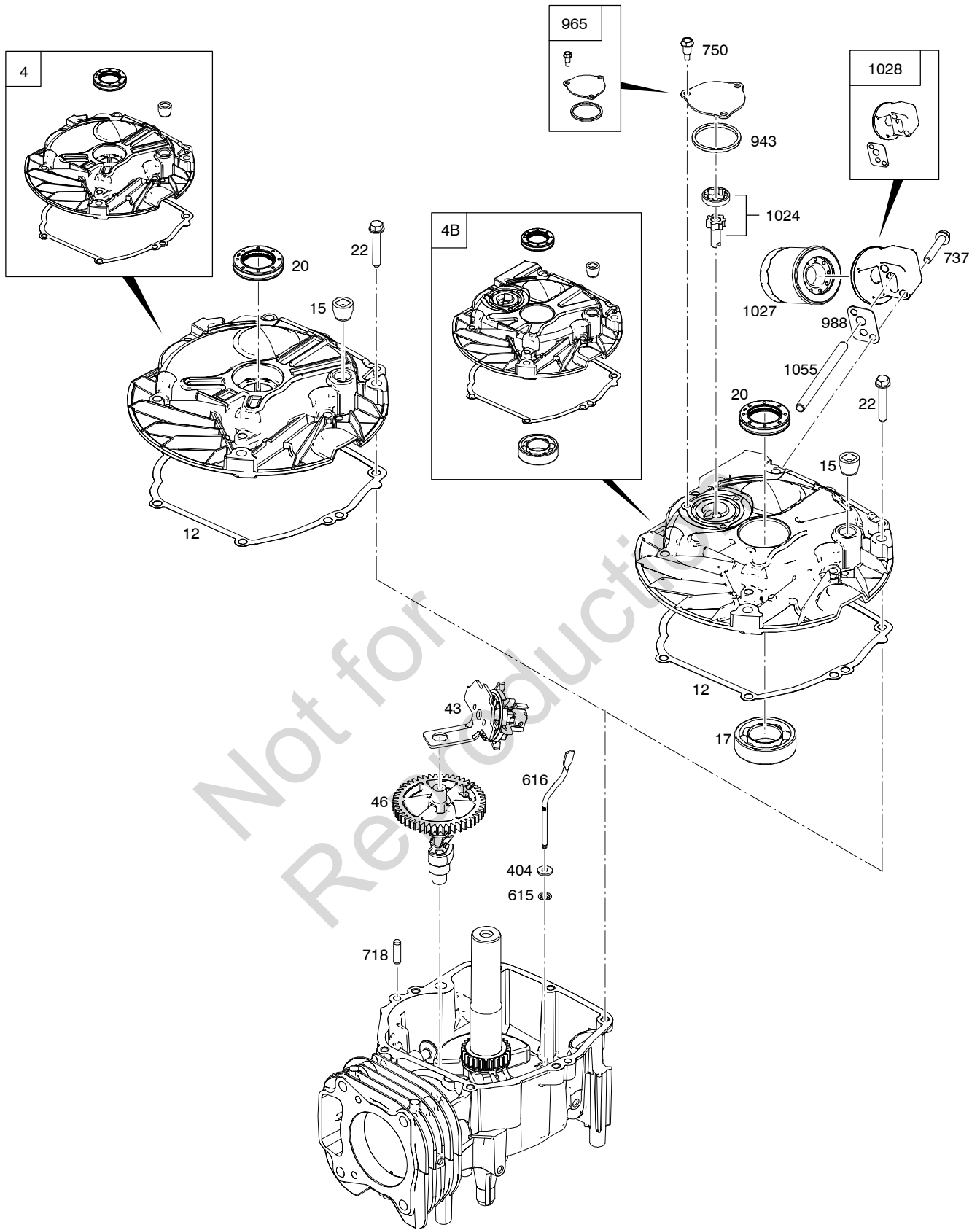
Illustrations cover a range of engines. Parts shown without text may not be used on your specific engine.



Illustrations cover a range of engines. Parts shown without text may not be used on your specific engine.

REF. NO.	PART NO.	DESCRIPTION	REF. NO.	PART NO.	DESCRIPTION	REF. NO.	PART NO.	DESCRIPTION
5	796471	Head-Cylinder						
7	796475	Gasket-Cylinder Head						
13	793451	Screw (Cylinder Head)						
33	499642	Valve-Exhaust						
34	795443	Valve-Intake						
35	691304	Spring-Valve (Intake)						
36	691304	Spring-Valve (Exhaust)						
40	692194	Retainer-Valve						
45	690977	Tappet-Valve						
51	796596	Gasket-Intake						
163	691894	Gasket-Air Cleaner						
192	796631	Adjuster-Rocker Arm						
238	691300	Cap-Valve						
623	793628	Seal-O Ring (Carburetor Spacer)						
718	690959	Pin-Locating						
830	796472	Stud-Rocker Arm						
868	795440	Seal-Valve						
883	793497	Gasket-Exhaust						
883A	796677	Gasket-Exhaust						
886	796474	Gasket Kit-Cylinder Head Plate						
914	794451	Screw (Rocker Arm Cover)						
993	796473	Gasket-Cylinder Head Plate						
1022	796480	Gasket-Rocker Cover						
1023	796479	Cover-Rocker Arm						
1026	796481	Rod-Push						
1029	691230	Arm-Rocker						
1034	691343	Guide-Push Rod						

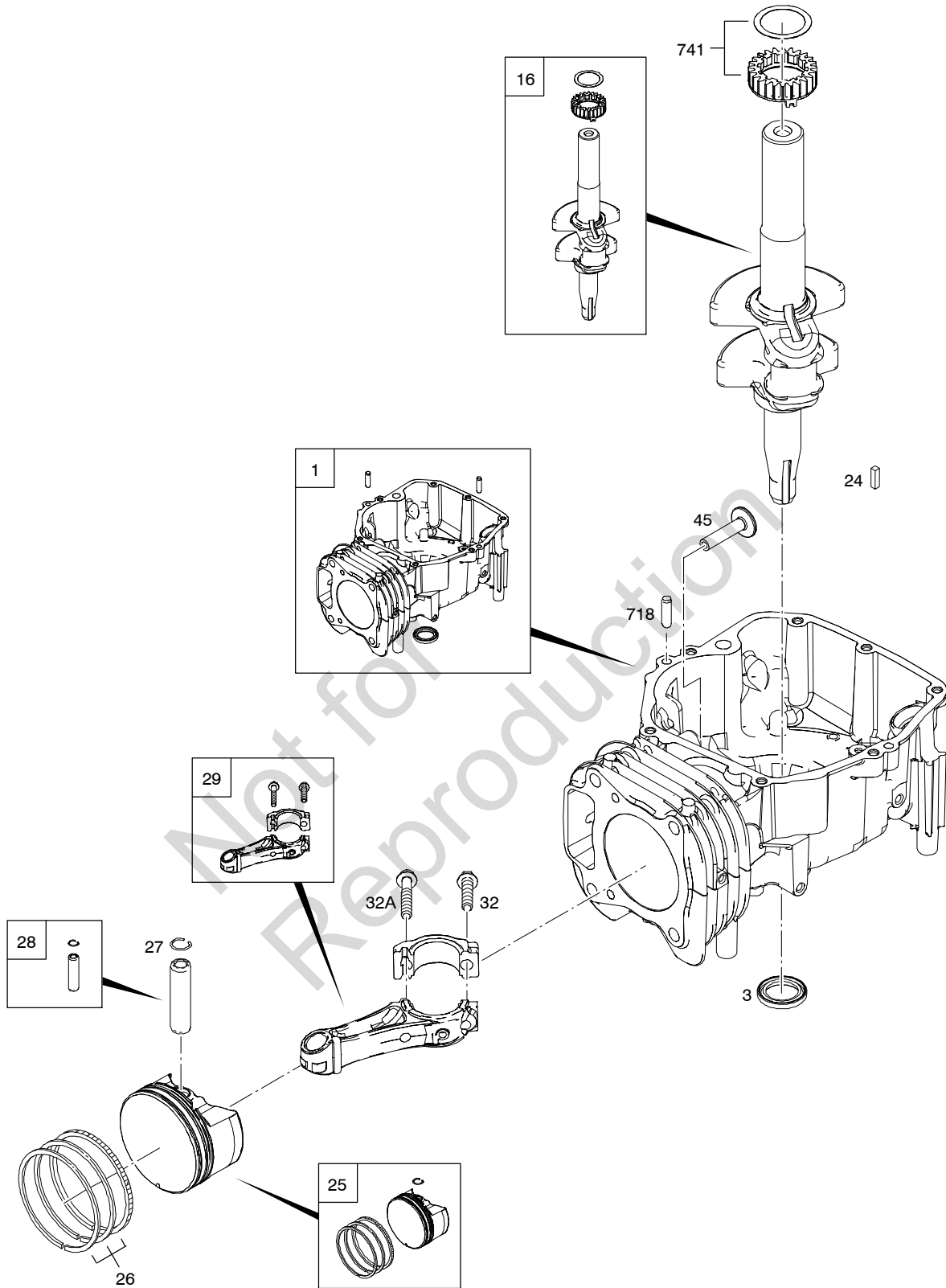
Illustrations cover a range of engines. Parts shown without text may not be used on your specific engine.



Illustrations cover a range of engines. Parts shown without text may not be used on your specific engine.

REF. NO.	PART NO.	DESCRIPTION	REF. NO.	PART NO.	DESCRIPTION	REF. NO.	PART NO.	DESCRIPTION
4	493279	Sump-Engine Used on Type No(s). 0100, 0124, 0126, 0127, 0128, 0129, 0130, 0135, 0139, 0141, 0142, 0707, 0732, 1257, 1368, 1369, 1411.	615	796674	Retainer-Governor Shaft			
			616	796488	Crank-Governor			
			718	690959	Pin-Locating			
			737	692511	Screw (Oil Filter Adapter) Used on Type No(s). 0132, 0134, 0136, 0137, 0144, 0146.			
4	498983	Sump-Engine Used on Type No(s). 0121, 0122, 0123.	750	691147	Screw (Oil Pump Cover) Used on Type No(s). 0132, 0134, 0136, 0137, 0144, 0146.			
4B	692509	Sump-Engine Used on Type No(s). 0132, 0134, 0136, 0137, 0144, 0146.	943	692514	Seal-O Ring (Oil Pump Cover) Used on Type No(s). 0132, 0134, 0136, 0137, 0144, 0146.			
12	692232	Gasket-Crankcase						
15	691680	Plug-Oil Drain (Square Socket)						
17	692517	Bearing-Ball Used on Type No(s). 0132, 0134, 0136, 0137, 0144, 0146.	965	692507	Cover-Oil Pump Used on Type No(s). 0132, 0134, 0136, 0137, 0144, 0146.			
20	399781S	Seal-Oil (PTO Side)	988	692515	Gasket-Oil Adapter Used on Type No(s). 0132, 0134, 0136, 0137, 0144, 0146.			
22	691092	Screw (Crankcase Cover/Sump)	1024	692508	Pump-Oil Used on Type No(s). 0132, 0134, 0136, 0137, 0144, 0146.			
43	796525	Slinger-Governor/Oil Used on Type No(s). 0132, 0134, 0136, 0137, 0144, 0146.	1027	795990	Filter-Oil Used on Type No(s). 0132, 0134, 0136, 0137, 0144, 0146.			
43	796650	Slinger-Governor/Oil Used on Type No(s). 0100, 0124, 0126, 0127, 0128, 0129, 0130, 0135, 0139, 0141, 0142, 0707, 0732, 1257, 1368, 1369, 1411.	1028	796522	Adapter-Oil Filter Used on Type No(s). 0132, 0134, 0136, 0137, 0144, 0146.			
43	796651	Slinger-Governor/Oil Used on Type No(s). 0121, 0122, 0123.	1055	796524	Tube-Oil Pump Used on Type No(s). 0132, 0134, 0136, 0137, 0144, 0146.			
46	694039	Camshaft Used on Type No(s). 0100, 0121, 0122, 0123, 0124, 0126, 0127, 0128, 0129, 0130, 0135, 0139, 0141, 0142, 0707, 0732, 1257, 1368, 1369, 1411.						
46	694040	Camshaft Used on Type No(s). 0132, 0134, 0136, 0137, 0144, 0146.						
404	690272	Washer (Governor Crank)						

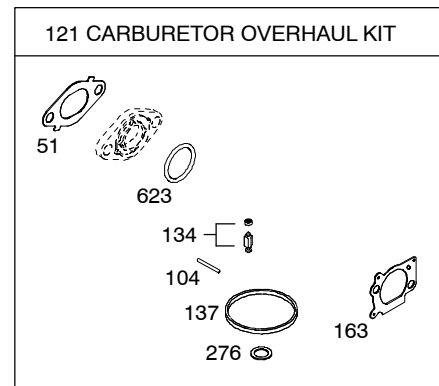
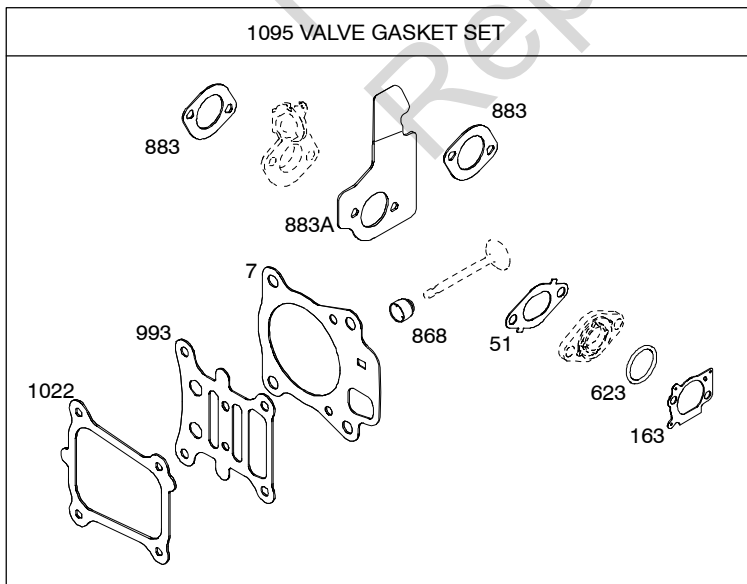
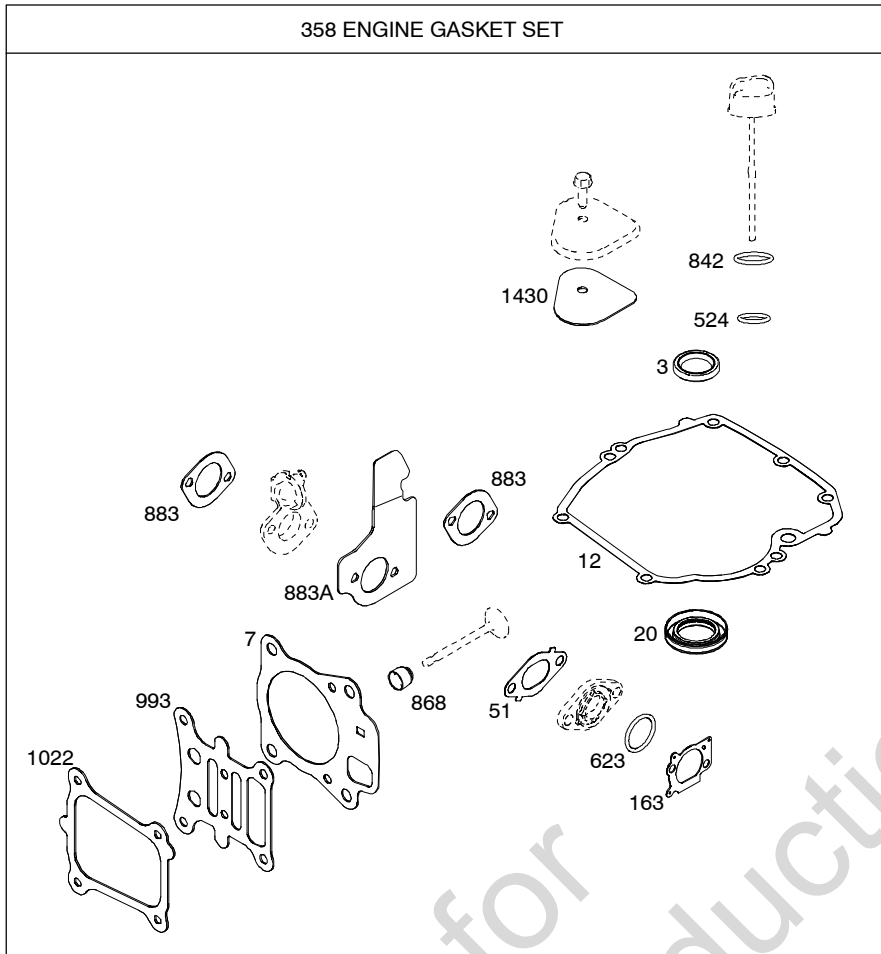
Illustrations cover a range of engines. Parts shown without text may not be used on your specific engine.



Illustrations cover a range of engines. Parts shown without text may not be used on your specific engine.

REF. NO.	PART NO.	DESCRIPTION	REF. NO.	PART NO.	DESCRIPTION	REF. NO.	PART NO.	DESCRIPTION
1	796509	Cylinder Assembly	27	691588	Lock-Piston Pin			
3	299819S	Seal-Oil (Magneto Side)	28	298909	Pin-Piston			
16	796467	Crankshaft Used on Type No(s). 0123, 0139, 0142, 1411.	29	796470	Rod-Connecting			
16	796468	Crankshaft Used on Type No(s). 0124, 0126, 0127, 0129, 0132, 0134, 0136, 0137, 0141, 0144, 0146, 1257, 1368, 1369.	32	691664	Screw (Connecting Rod)			
16	796469	Crankshaft Used on Type No(s). 0100, 0121, 0122, 0128, 0707, 0732.	32A	695759	Screw (Connecting Rod)			
16	797107	Crankshaft Used on Type No(s). 0130.	45	690977	Tappet-Valve			
16	797909	Crankshaft Used on Type No(s). 0141.	718	690959	Pin-Locating			
24	222698S	Key-Flywheel	741	795755	Gear-Timing			
25	797302	Piston Assembly (Standard) (Used After Code Date 09041900).						
25	796639	Piston Assembly (Standard) (Used Before Code Date 09042000).						
25	797303	Piston Assembly (.020" Oversize) (Used After Code Date 09041900).						
25	796640	Piston Assembly (.020" Oversize) (Used Before Code Date 09042000).						
26	797304	Ring Set (Standard) (Used After Code Date 09041900).						
26	796641	Ring Set (Standard) (Used Before Code Date 09042000).						
26	797305	Ring Set (.020" Oversize) (Used After Code Date 09041900).						
26	796642	Ring Set (.020" Oversize) (Used Before Code Date 09042000).						

Illustrations cover a range of engines. Parts shown without text may not be used on your specific engine.



Illustrations cover a range of engines. Parts shown without text may not be used on your specific engine.

REF. NO.	PART NO.	DESCRIPTION	REF. NO.	PART NO.	DESCRIPTION	REF. NO.	PART NO.	DESCRIPTION
3	299819S	Seal-Oil (Magneto Side)						
7	796475	Gasket-Cylinder Head						
12	692232	Gasket-Crankcase						
20	399781S	Seal-Oil (PTO Side)						
51	796596	Gasket-Intake						
104	691242	Pin-Float Hinge						
121	796612	Kit-Carburetor Overhaul						
134	398188	Kit-Needle/Seat						
137	796610	Gasket-Float Bowl						
163	691894	Gasket-Air Cleaner						
276	271716	Washer-Sealing						
358	796661	Gasket Set-Engine						
524	692296	Seal-Dipstick Tube (Lower)						
623	793628	Seal-O Ring (Carburetor Spacer)						
842	691031	Seal-O Ring (Dipstick Tube) (Upper)						
868	795440	Seal-Valve (Exhaust)						
883	793497	Gasket-Exhaust						
883A	796677	Gasket-Exhaust						
943	692514	Seal-O Ring (Oil Pump Cover) Used on Type No(s). 0132, 0134, 0136, 0137, 0144, 0146.						
988	692515	Gasket-Oil Adapter Used on Type No(s). 0132, 0134, 0136, 0137, 0144, 0146.						
993	796473	Gasket-Cylinder Head Plate						
1022	796480	Gasket-Rocker Cover						
1095	796662	Gasket Set-Valve						
1430	796477	Gasket-Breather/Reed						

Illustrations cover a range of engines. Parts shown without text may not be used on your specific engine.

Not for
Reproduction

Not for
Reproduction

Not for
Reproduction

