



Illustrated Parts List

Model Series

12H800

TYPE NUMBERS
0652 through 6699.

TABLE OF CONTENTS

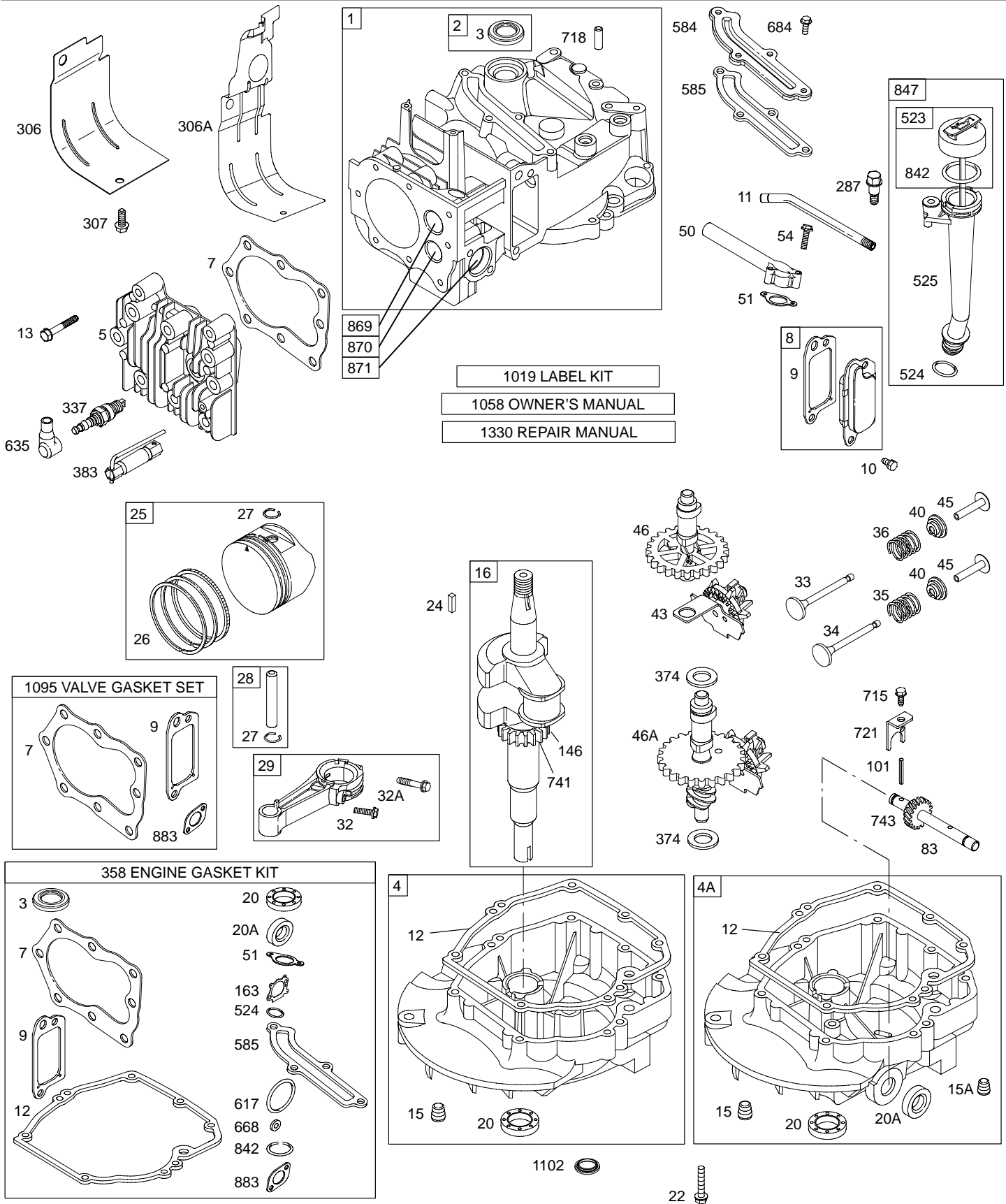
Alternator	7
Air Cleaner	4
Blower Housing/Shrouds	6
Camshaft	2
Carburetor	3
Controls	5
Crankshaft	2
Cylinder	2
Electric Starter	7
Electrical	7
Engine Sump	2
Exhaust System	4
Flywheel	7
Flywheel Brake	7
Fuel Supply	5
Governor Spring	5
Ignition	7
Kits/Gaskets	2 & 3
Lubrication	2
Piston Group	2
Rewind Starter	6
Valves	2

PRINTED IN U.S.A.

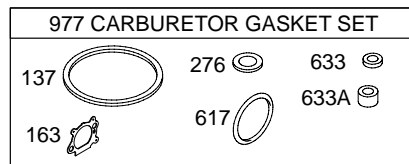
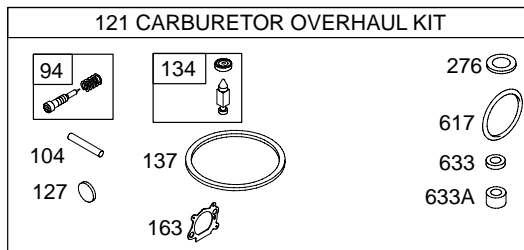
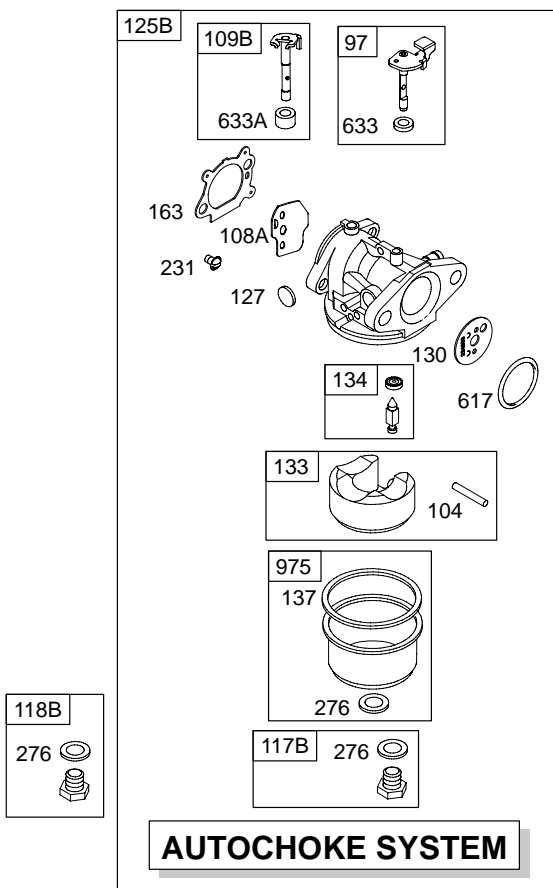
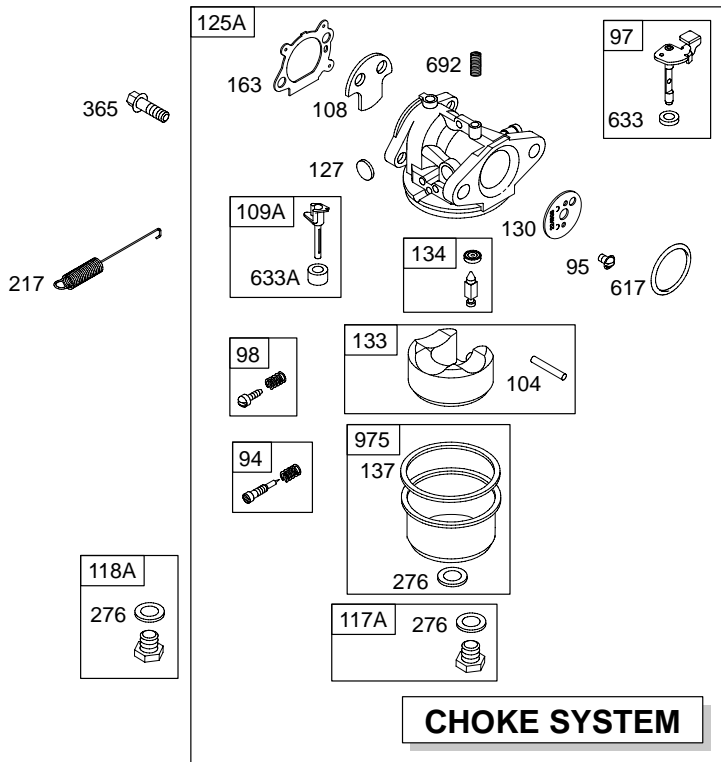
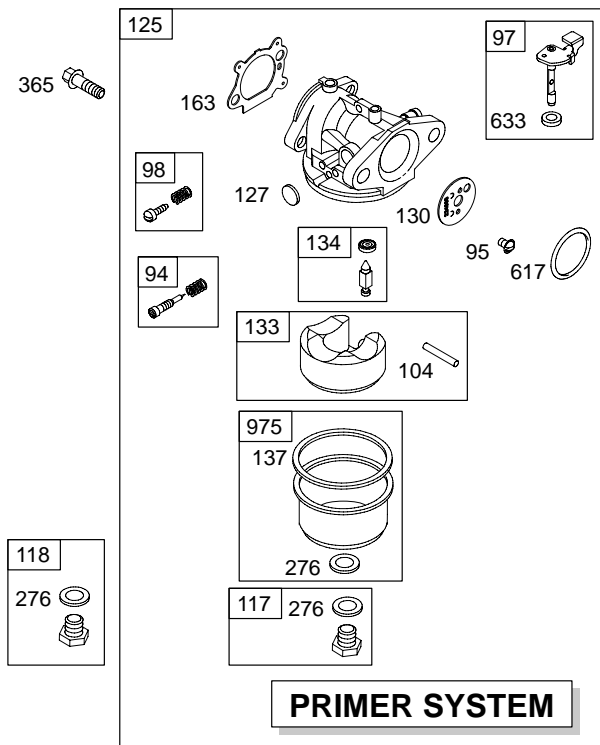


COPYRIGHT by BRIGGS & STRATTON CORPORATION
All rights reserved. No part of this material may be reproduced or transmitted, in any form or by any means, electronic or mechanical, including photocopying, recording or by any information storage and retrieval system, without permission in writing from Briggs & Stratton Corporation.

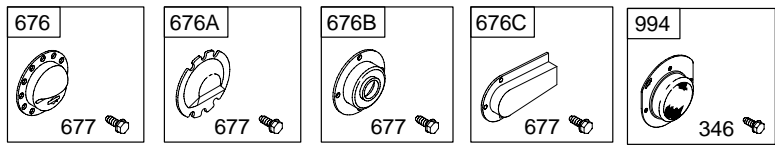
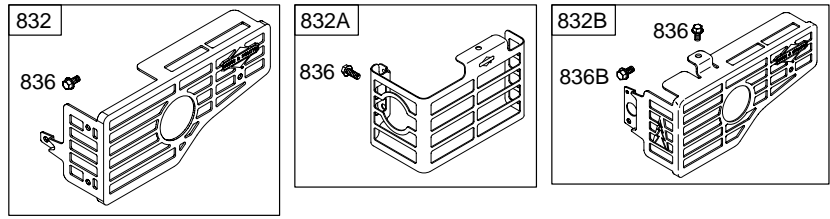
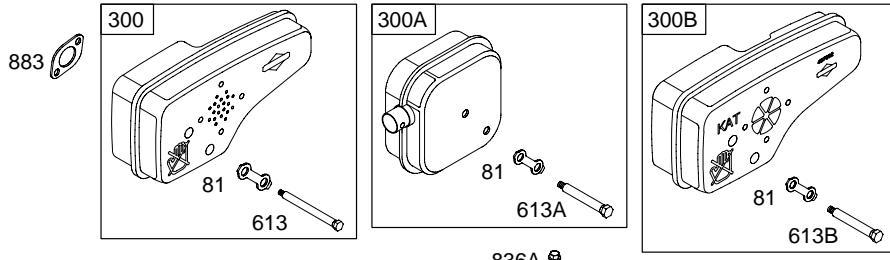
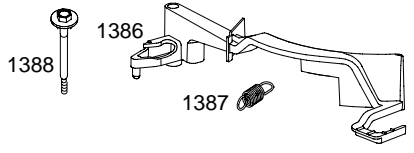
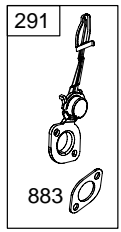
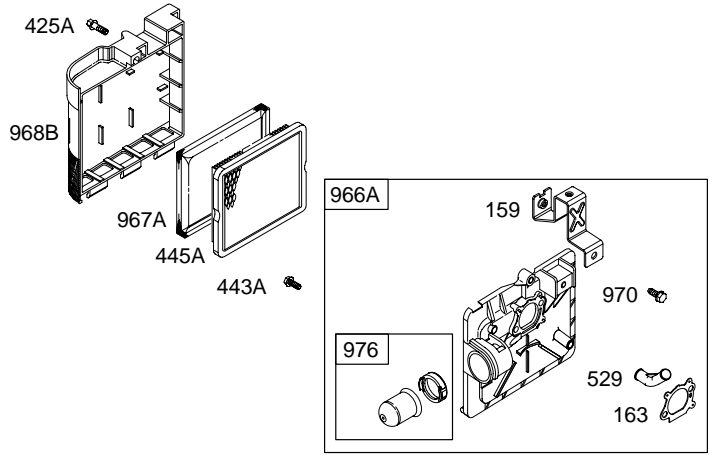
12H800



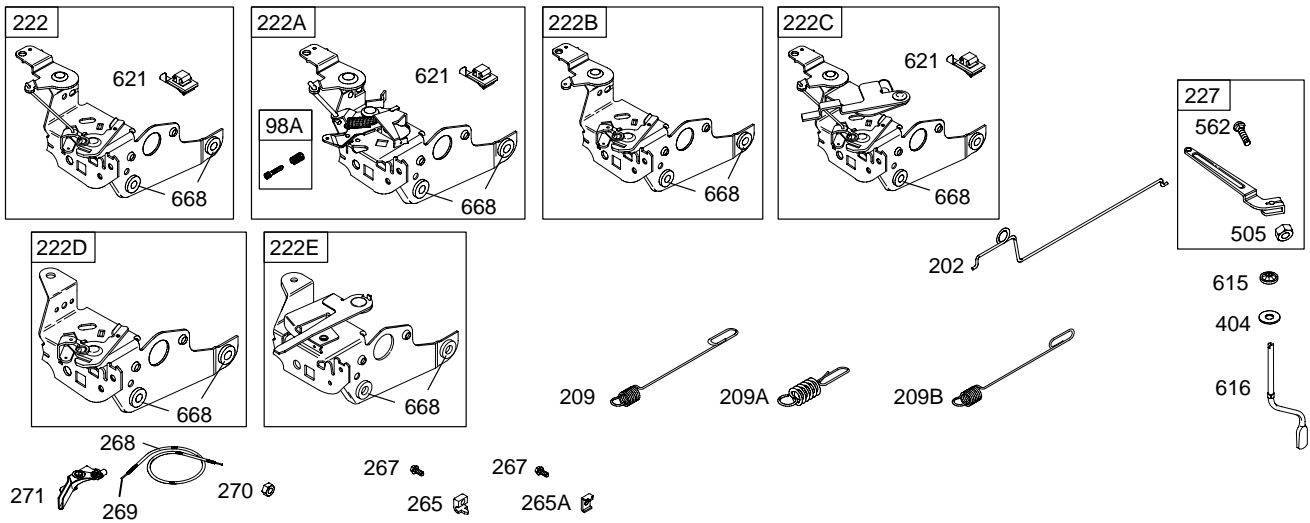
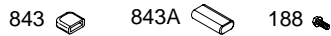
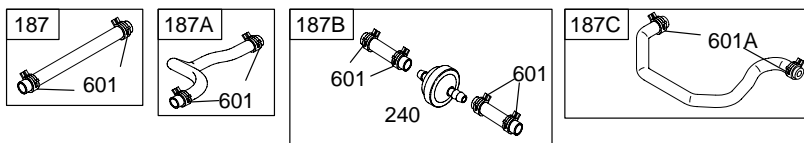
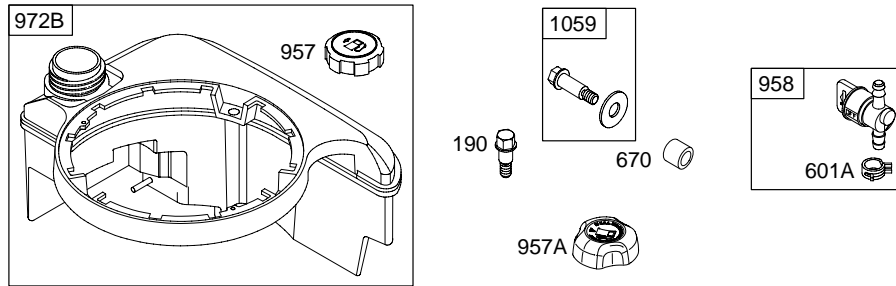
Illustrations cover a range of engines. Parts shown without corresponding text may not be used on your specific engine.
0990-2 Assemblies include all parts shown in frames. 09/22/2004



12H800

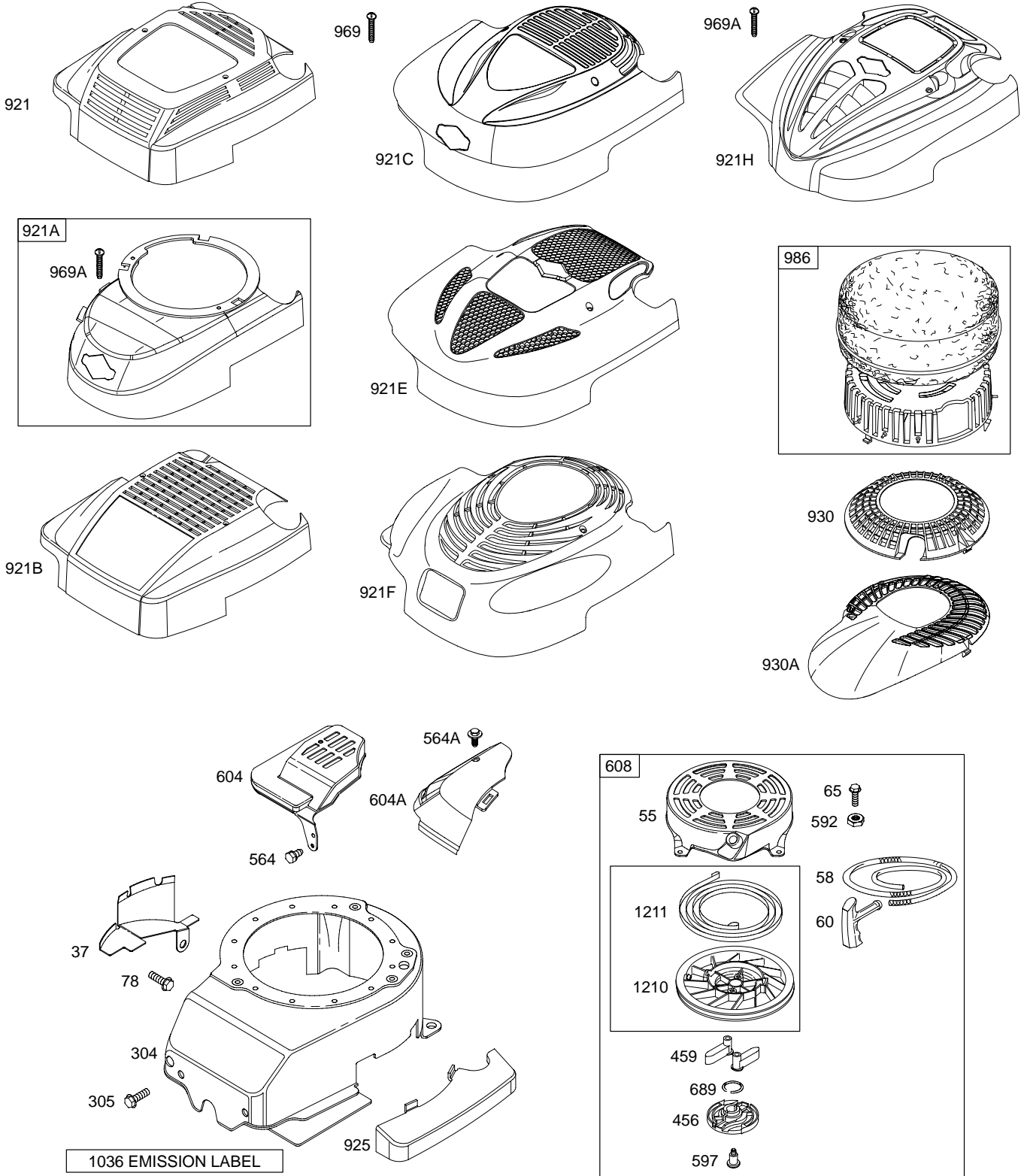


Illustrations cover a range of engines. Parts shown without corresponding text may not be used on your specific engine.
 0990-4 Assemblies include all parts shown in frames. 09/22/2004

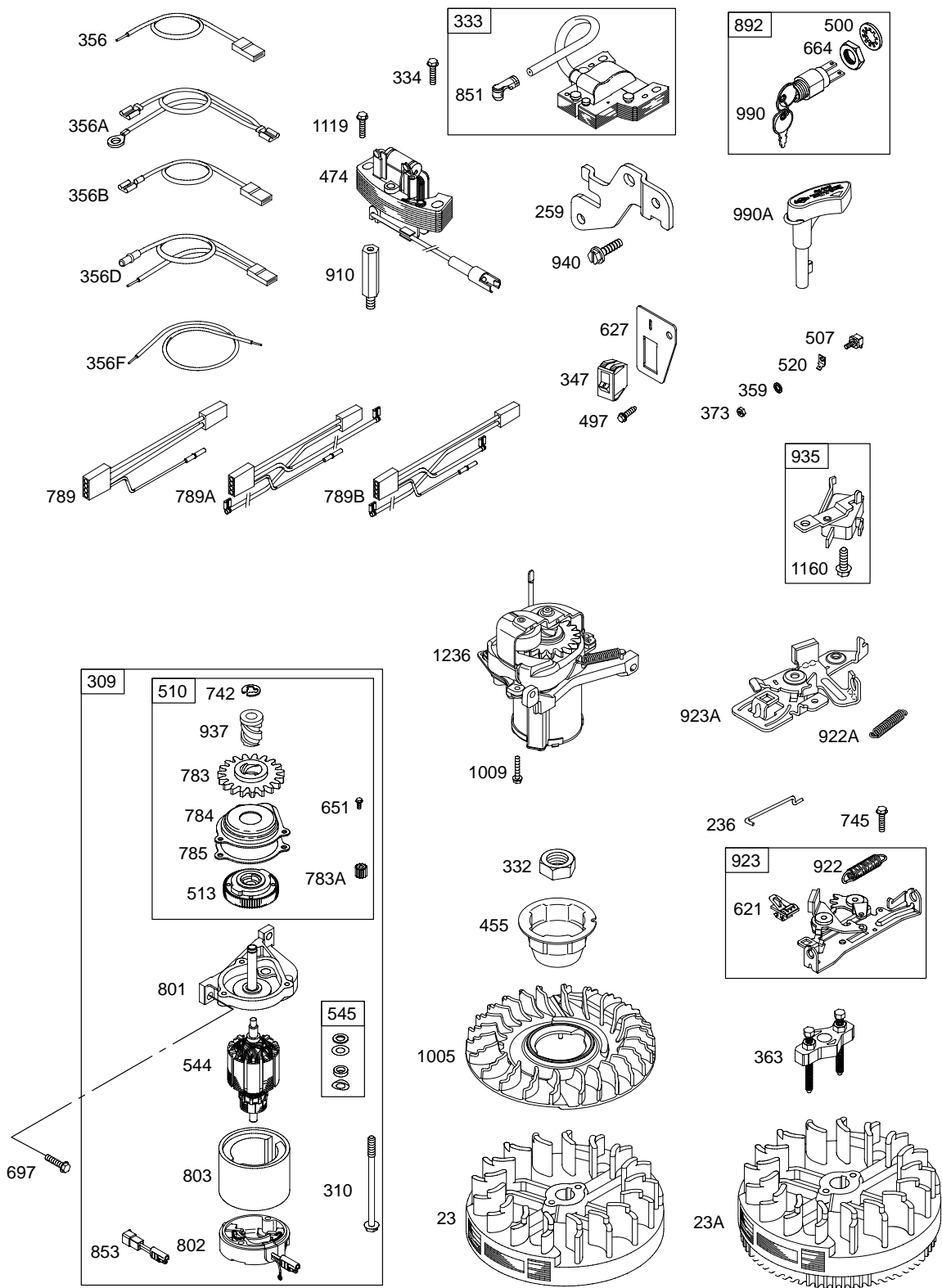


Illustrations cover a range of engines. Parts shown without corresponding text may not be used on your specific engine.
 0990-5 Assemblies include all parts shown in frames. 09/22/2004

12H800



Illustrations cover a range of engines. Parts shown without corresponding text may not be used on your specific engine.
0990-6 Assemblies include all parts shown in frames. **09/22/2004**



Illustrations cover a range of engines. Parts shown without corresponding text may not be used on your specific engine.
 0990-7 Assemblies include all parts shown in frames. 09/22/2004

12H800

REF. NO.	PART NO.	DESCRIPTION	REF. NO.	PART NO.	DESCRIPTION	REF. NO.	PART NO.	DESCRIPTION
1	697322	Cylinder Assembly	5	691160	Head-Cylinder	12	*692232	Gasket-Crankcase
2	399269	Kit-Bushing/Seal (Magneto Side)	7	*Ø692249	Gasket-Cylinder Head	13	690912	Screw (Cylinder Head)
3	*299819	Seal-Oil (Magneto Side)	8	495786	Breather Assembly	15	691680	Plug-Oil Drain (Square Socket)
4	493279	Sump-Engine	9	*Ø272481	Gasket-Breather	15A	691093	Plug-Oil Drain (Hex Socket)
		Note	10	94650	Screw (Breather Assembly)			
		498983 Sump-Engine Used on Type No(s). 1167, 1715, 1955, 1961, 2320, 2324, 2331, 2367, 2673, 2681, 3182.	11	691781	Tube-Breather			
		696294 Sump-Engine Used on Type No(s). 1375, 1376, 1717, 1718, 1719, 1730, 1731, 1732, 1735, 1754, 1792, 1795, 1959, 1960, 1996, 2002, 2326, 3181, 3187, 3188.						
4A	493365	Sump-Engine (Auxilliary PTO)						

★ Included in Engine Gasket Set-Ref. No.358.

● Included in Carburetor Overhaul Kit-Ref. No. 121.

◆ Included in Carburetor Gasket Set-Ref. No. 977.

Ø Included in Valve Gasket Set-Ref. No 1095.

Illustrations cover a range of engines. Parts shown without corresponding text may not be used on your specific engine.

0990-8

Assemblies include all parts shown in frames.

09/22/2004

REF. NO.	PART NO.	DESCRIPTION	REF. NO.	PART NO.	DESCRIPTION	REF. NO.	PART NO.	DESCRIPTION
16	691451	<p>Crankshaft (Used After Code Date 97011200).</p> <p style="text-align: center;">———— Note ————</p> <p>694442 Crankshaft (Used Before Code Date 97011300).</p> <p>691450 Crankshaft (Used After Code Date 97011200). Used on Type No(s). 0823, 1520, 1530, 1531, 1532, 1533, 1567, 1718, 1769, 1923, 1939, 1940, 1950, 1951, 1952, 1979, 1980, 1987, 2313, 2375, 2376, 2379, 2380, 2609, 2610, 2611, 2612, 2630, 2631, 2667, 2677, 2678, 2679, 3120, 3123, 3138, 3140, 3167, 3176, 3184, 3187, 3188.</p> <p>694440 Crankshaft (Used Before Code Date 97011300). Used on Type No(s). 0823, 1520, 1530, 1531, 1532, 1533, 1567, 2630, 2631.</p> <p>692980 Crankshaft (Used After Code Date 97011200). Used on Type No(s). 0658, 0660, 1570, 1758, 1760, 1763, 2670.</p> <p>694443 Crankshaft (Used Before Code Date 97011300). Used on Type No(s). 0658, 0660, 1758.</p> <p>699010 Crankshaft (Used After Code Date 03022400). Used on Type No(s). 2649, 2686.</p> <p>691450 Crankshaft (Used Before Code Date 03022500). Used on Type No(s). 2649, 2686.</p>			<p>691452 Crankshaft (Used After Code Date 97011200). Used on Type No(s). 0664, 0665, 0666, 0670, 0671, 0672, 0840, 0866, 0868, 0873, 0877, 1150, 1166, 1170, 1171, 1320, 1326, 1332, 1366, 1368, 1370, 1371, 1372, 1374, 1375, 1376, 1377, 1378, 1544, 1559, 1569, 1723, 1724, 1727, 1730, 1731, 1733, 1734, 1736, 1737, 1738, 1770, 1771, 1784, 1785, 1790, 1794, 1795, 1919, 1920, 1926, 1932, 1935, 1936, 1941, 1942, 1943, 1947, 1948, 1958, 1959, 1962, 1966, 1967, 1970, 1973, 1976, 1977, 1983, 1985, 1988, 1991, 1992, 1993, 1994, 1995, 1996, 2001, 2002, 2006, 2350, 2644, 2669, 2676, 3130, 3132, 3137, 3166, 3169, 3170, 3181, 3185, 3186, 3313, 3314, 3315, 3320, 3322, 3323, 3325.</p> <p>694059 Crankshaft (Used Before Code Date 97011300). Used on Type No(s). 0866, 0868, 0873, 0877, 1166, 1170, 1332, 1366, 1368, 1370, 1371, 1544, 1559, 1569, 1977.</p>			<p>691455 Crankshaft (Used After Code Date 97011200). Used on Type No(s). 1149, 1548, 1925, 2312, 2313, 2314, 2315, 2316, 2324, 2328, 2349, 2352, 2360, 2370, 2373, 2381, 2383, 2384, 2394, 2395, 2396, 3172, 3173, 3180, 3318, 3319.</p> <p>691375 Crankshaft (Used Before Code Date 97011300). Used on Type No(s). 1149, 1548.</p> <p>692822 Crankshaft Used on Type No(s). 1766.</p> <p>691482 Crankshaft Used on Type No(s). 1961, 2329, 2334, 3183.</p> <p>694079 Crankshaft Used on Type No(s). 1717, 1767, 1768, 1775.</p> <p>692717 Crankshaft Used on Type No(s). 1955, 1986, 3178.</p> <p>694478 Crankshaft Used on Type No(s). 1777.</p> <p>694849 Crankshaft Used on Type No(s). 1714, 1726, 2349, 2383, 2391, 2635, 2683.</p> <p>694850 Crankshaft Used on Type No(s). 2331, 2333, 2681.</p> <p>696009 Crankshaft Used on Type No(s). 1720, 1776, 1778.</p> <p>696290 Crankshaft Used on Type No(s). 2320.</p>

★ Included in Engine Gasket Set—Ref. No.358.

● Included in Carburetor Overhaul Kit—Ref. No. 121.

◆ Included in Carburetor Gasket Set—Ref. No. 977.

⊘ Included in Valve Gasket Set—Ref. No 1095.

Illustrations cover a range of engines. Parts shown without corresponding text may not be used on your specific engine.

12H800

REF. NO.	PART NO.	DESCRIPTION	REF. NO.	PART NO.	DESCRIPTION	REF. NO.	PART NO.	DESCRIPTION
20	★399781	Seal–Oil (PTO Side)	25	790359	Piston Assembly (Standard) (Used After Code Date 04031400).	26	790360	Ring Set (Standard) (Used After Code Date 04031400).
20A	★691952	Seal–Oil (PTO Side) (Auxilliary PTO)			Note			Note
22	691092	Screw (Crankcase Cover/ Sump)		499429	Piston Assembly (Standard) (Used After Code Date 97011200 and Before Code Date 04031500).		499425	Ring Set (Standard) (Used After Code Date 97011200 and Before Code Date 04031500).
23	692315	Flywheel (Rewind Start)		493262	Piston Assembly (Standard) (Used Before Code Date 97011300).		493261	Ring Set (Standard) (Used Before Code Date 97011300).
23A	691987	Flywheel (Electric Start)						
		Note						
		691992 Flywheel (Electric Start) Used on Type No(s). 0667, 1149, 1167, 1369, 1548, 1559, 1569, 1714, 1715, 1726, 1729, 1919, 1932, 1941, 1942, 1948, 1955, 1961, 1967, 2005, 2320, 2324, 2331, 2333, 2349, 2367, 2383, 2391, 2635, 2669, 2673, 2681, 3133, 3178, 3179, 3183, 3324.		499430	Piston Assembly (.010" Oversize) (Used After Code Date 97011200).		499426	Ring Set (.010" Oversize) (Used After Code Date 97011200).
		696291 Flywheel (Electric Start) Used on Type No(s). 1375, 1376, 1717, 1718, 1719, 1730, 1731, 1732, 1735, 1754, 1792, 1795, 1959, 1960, 1996, 2001, 2002, 2326, 3181, 3187, 3188.		493385	Piston Assembly (.010" Oversize) (Used Before Code Date 97011300).		493388	Ring Set (.010" Oversize) (Used Before Code Date 97011300).
				499431	Piston Assembly (.020" Oversize) (Used After Code Date 97011200).		499427	Ring Set (.020" Oversize) (Used After Code Date 97011200).
				493386	Piston Assembly (.020" Oversize) (Used Before Code Date 97011300).		493389	Ring Set (.020" Oversize) (Used Before Code Date 97011300).
24	222698	Key–Flywheel		499432	Piston Assembly (.030" Oversize) (Used After Code Date 97011200).		499428	Ring Set (.030" Oversize) (Used After Code Date 97011200).
				493387	Piston Assembly (.030" Oversize) (Used Before Code Date 97011300).	27	691866	Lock–Piston Pin (Used After Code Date 97011200).
								Note
								691588 Lock– Piston Pin (Used Before Code Date 97011300).

★ Included in Engine Gasket Set–Ref. No.358.

● Included in Carburetor Overhaul Kit–Ref. No. 121.

◆ Included in Carburetor Gasket Set–Ref. No. 977.

∅ Included in Valve Gasket Set–Ref. No 1095.

Illustrations cover a range of engines. Parts shown without corresponding text may not be used on your specific engine.

0990–10

Assemblies include all parts shown in frames.

09/22/2004

REF. NO.	PART NO.	DESCRIPTION	REF. NO.	PART NO.	DESCRIPTION	REF. NO.	PART NO.	DESCRIPTION
28	499423	Pin-Piston (Standard) (Used After Code Date 97011200). Note 298909 Pin-Piston (Standard) (Used Before Code Date 97011300). 298908 Pin-Piston (.005" Oversize) (Used Before Code Date 97011300).	45	690548	Tappet-Valve (Used After Code Date 96060200). Note 492830 Camshaft (Used Before Code Date 96060300).	55	691421	Housing-Rewind Starter
29	499424	Rod-Connecting (Standard) (Used After Code Date 97011200). Note 490566 Rod-Connecting (Standard) (Used Before Code Date 97011300). 490743 Rod-Connecting (.020" Undersize) (Used Before Code Date 97011300).	46	691449	Camshaft (Used After Code Date 96060200). Used on Type No(s). 0823, 1923. Note 493740 Camshaft (Clockwise) (Used Before Code Date 96060300). Used on Type No(s). 0823.	58	280399	Rope-Starter (Cut To Required Length)
32	691664	Screw (Connecting Rod)	46A	691460	Camshaft (Clockwise) (Used After Code Date 96060200). Used on Type No(s). 0823, 1923.	60	281434	Grip-Starter Rope
32A	695759	Screw (Connecting Rod) (Used After Code Date 00042200).				65	690837	Screw (Rewind Starter)
33	262651	Valve-Exhaust				78	691108	Screw (Flywheel Guard)
34	262652	Valve-Intake				81	691740	Lock-Muffler Screw
35	691270	Spring-Valve (Intake)				83	691778	Shaft-Auxiliary Drive Used on Type No(s). 0823, 1923, 1947, 1949, 1989. Note 690527 Shaft-Auxiliary Drive Used on Type No(s). 0662, 1315, 1538, 1762, 2312, 2313, 2314, 2315, 2316, 2351, 2352, 2360, 2378, 2385, 3115, 3173, 3319. 690521 Shaft-Auxiliary Drive Used on Type No(s). 1934, 1982, 2330.
36	691270	Spring-Valve (Exhaust)				94	●493765	Kit-Idle Mixture
37	694086	Guard-Flywheel				95	691636	Screw (Throttle Valve)
40	692194	Retainer-Valve				97	493267	Shaft-Throttle (Metal) Note 696565 Shaft-Throttle (Plastic)
43	691997	Slinger-Governor/Oil Note 691486 Slinger-Governor/Oil Used on Type No(s). 1167, 1715, 1961, 2334, 2367, 2673, 3183.	50	497465	Manifold-Intake	98	398185	Kit-Idle Speed
			51	★272199	Gasket-Intake	98A	493280	Kit-Idle Speed
			54	691650	Screw (Intake Manifold)	101	691623	Pin-Shaft
						104	●691242	Pin-Float Hinge
						108	691182	Valve-Choke
						108A	790844	Valve-Choke
						109A	498593	Shaft-Choke
						109B	790843	Shaft-Choke

★ Included in Engine Gasket Set-Ref. No.358.

● Included in Carburetor Overhaul Kit-Ref. No. 121.

◆ Included in Carburetor Gasket Set-Ref. No. 977.

∅ Included in Valve Gasket Set-Ref. No 1095.

Illustrations cover a range of engines. Parts shown without corresponding text may not be used on your specific engine.

12H800

REF. NO.	PART NO.	DESCRIPTION	REF. NO.	PART NO.	DESCRIPTION	REF. NO.	PART NO.	DESCRIPTION
117	494870	Jet–Main (Standard) Note — 497466 Jet–Main (Standard) Used on Type No(s). 1538. 498977 Jet–Main (Standard) Used on Type No(s). 0664, 0665, 0666, 0667, 0671, 0672, 1149, 1167, 1170, 1368, 1369, 1370, 1373, 1374, 1377, 1548.	121	498260	Kit–Carburetor Overhaul	127	694468	Plug–Welch
117A	498978	Jet–Main (Standard)	125	498170	Carburetor (Primer System) (Used After Code Date 95102900). Note — 498254 Carburetor (Primer System) Used on Type No(s). 1538.	130	691203	Valve–Throttle Note — 696564 Valve–Throttle (Used With Plastic Throttle Shaft)
117B	697355	Jet–Main (Standard)	125A	499059	Carburetor (Choke System) Used on Type No(s). 1714, 1715, 1726, 1777, 1926, 1932, 1942, 1955, 1961, 1986, 2324, 2329, 2331, 2333, 2334, 2349, 2367, 2383, 2391, 2635, 2673, 2681, 3178, 3183. Note — 498965 Carburetor (Choke System) Used on Type No(s). 0664, 0665, 0666, 0667, 0671, 0672, 1149, 1167, 1170, 1368, 1369, 1370, 1373, 1374, 1377, 1548.	133	398187	Float–Carburetor
118	497315	Jet–Main (High Altitude) 496495 Jet–Main (High Altitude) Used on Type No(s). 1538. 498978 Jet–Main (High Altitude) Used on Type No(s). 0664, 0665, 0666, 0667, 0671, 0672, 1149, 1167, 1170, 1368, 1369, 1370, 1373, 1374, 1377, 1548.	125B	790845	Carburetor (Autochoke System)	134	398188	Kit–Needle/Seat
118A	498975	Jet–Main (High Altitude)				137	693981	Gasket–Float Bowl
118B	692677	Jet–Main (High Altitude)				146	690979	Key–Timing
						159	691753	Bracket–Air Cleaner Primer
						163	272653	Gasket–Air Cleaner
						187	691050	Line–Fuel (15" Long) (Cut to Required Length)
						187A	691371	Line–Fuel (Molded)
						187B	692042	Line–Fuel (Included Filter) (1 1/3" And 4 5/8" Long) (Cut to Required Length)
						187C	696292	Line–Fuel (Molded)
						188	690877	Screw (Control Bracket)
						190	690940	Screw (Fuel Tank)
						202	691829	Link–Mechanical Governor

★ Included in Engine Gasket Set–Ref. No.358.

● Included in Carburetor Overhaul Kit–Ref. No. 121.

◆ Included in Carburetor Gasket Set–Ref. No. 977.

⊘ Included in Valve Gasket Set–Ref. No 1095.

Illustrations cover a range of engines. Parts shown without corresponding text may not be used on your specific engine.

0990–12

Assemblies include all parts shown in frames.

09/22/2004

REF. NO.	PART NO.	DESCRIPTION	REF. NO.	PART NO.	DESCRIPTION	REF. NO.	PART NO.	DESCRIPTION	
209	691864	Spring–Governor Used on Type No(s). 2329, 2334, 2349.	209B	691851	Spring–Governor			691292	Spring–Governor
		<p style="text-align: center;">———— Note ————</p> 690242 Spring–Governor Used on Type No(s). 1932. 690241 Spring–Governor Used on Type No(s). 1961, 3183.			<p style="text-align: center;">———— Note ————</p> 699056 Spring–Governor Used on Type No(s). 0652, 0656, 0661, 0662, 0822, 0824, 0828, 0837, 0838, 0839, 0877, 1148, 1315, 1316, 1322, 1324, 1325, 1332, 1378, 1534, 1540, 1544, 1547, 1569, 1570, 1571, 1721, 1752, 1754, 1755, 1756, 1761, 1762, 1764, 1770, 1771, 1784, 1789, 1901, 1922, 1928, 1934, 1937, 1938, 1947, 1949, 1967, 1977, 1978, 1982, 1983, 1987, 1989, 1990, 2312, 2314, 2316, 2319, 2323, 2326, 2328, 2330, 2348, 2351, 2371, 2372, 2378, 2381, 2384, 2385, 2386, 2387, 2388, 2389, 2390, 2394, 2395, 2396, 2632, 2634, 2641, 2642, 2643, 2644, 2645, 2646, 2647, 2648, 2649, 2670, 2671, 2672, 2675, 2676, 2680, 2682, 2684, 2685, 2686, 3115, 3116, 3122, 3124, 3127, 3128, 3129, 3132, 3172, 3173, 3174, 3180, 3306, 3307, 3308, 3309, 3312, 3318, 3319, 3509, 6699.				<p style="text-align: center;">———— Note ————</p> 690568 Spring–Governor Used on Type No(s). 1149, 1548. 691835 Spring–Governor Used on Type No(s). 0664, 0665, 0666, 0667, 1170, 1368, 1369, 1370, 1373. 262663 Spring–Governor Used on Type No(s). 0671, 0672. 690569 Spring–Governor Used on Type No(s). 1374, 1377.
209A	690567	Spring–Governor Used on Type No(s). 1167.							

★ Included in Engine Gasket Set–Ref. No.358.

● Included in Carburetor Overhaul Kit–Ref. No. 121.

◆ Included in Carburetor Gasket Set–Ref. No. 977.

⊘ Included in Valve Gasket Set–Ref. No 1095.

Illustrations cover a range of engines. Parts shown without corresponding text may not be used on your specific engine.

12H800

REF. NO.	PART NO.	DESCRIPTION	REF. NO.	PART NO.	DESCRIPTION	REF. NO.	PART NO.	DESCRIPTION
217	690354	Spring—Choke Return	231	691636	Screw (Choke Valve)	304	493293	Housing—Blower
222	692031	Bracket—Control (Remote/Manual Friction)(Primer)	236	691826	Link—Lockout	Note		
		Note	240	298090	Filter—Fuel	493294		Housing—Blower
	790143	Bracket—Control Used on Type No(s). 2003, 2004.	259	691223	Bracket—Casing Clamp (Control Wire Casing)	Used on Type No(s). 0666, 0667, 0868, 1149, 1150, 1167, 1171, 1369, 1548, 1559, 1569, 1714, 1715, 1726, 1729, 1755, 1766, 1777, 1919, 1926, 1932, 1941, 1942, 1948, 1955, 1961, 1967, 1988, 2005, 2320, 2324, 2329, 2331, 2333, 2334, 2349, 2350, 2367, 2383, 2391, 2635, 2669, 2673, 2681, 3110, 3120, 3123, 3133, 3138, 3140, 3167, 3176, 3178, 3179, 3183, 3184, 3324.		
222A	692021	Bracket—Control (Remote, Choke A Matic, Non Compliance)	265	690798	Clamp—Casing	695892 Housing—Blower		
		Note	265A	691024	Clamp—Casing	Used on Type No(s). 1721, 1724, 1784, 1790, 1901, 1989, 2320, 2360, 2370, 2384, 2385, 2386, 2389, 2390, 2394, 2395, 2641, 2643, 2646, 2649, 2684, 2685, 2686, 3129, 3180, 3182, 3308, 3309, 3318, 3319, 3509.		
	690839	Bracket—Control (Manual Friction) (Choke A Matic) Used on Type No(s). 1149, 1167, 1548.	267	691044	Screw (Casing Clamp)	696298 Housing—Blower		
222B	693006	Bracket—Control (Fixed Speed Auto Primer Control)	268	691072	Casing—Control Wire (48" Long) (Cut to Required Length)	Used on Type No(s). 1375, 1376, 1717, 1718, 1719, 1730, 1731, 1732, 1735, 1754, 1792, 1959, 1960, 1996, 2001, 2326, 3181, 3187, 3188.		
222C	692150	Bracket—Control (Variable Speed) (5 Position Manual Choke)	269	691589	Wire—Control (54" Long) (Cut to Required Length)	790983 Housing—Blower		
222D	692467	Bracket—Control (Fixed Speed)	270	691027	Nut (Control Wire Casing)	Used on Type No(s). 1738.		
222E	692982	Bracket—Control (Manual Friction, 5 Position Manual Choke)	271	691028	Lever—Control			
227	690783	Lever—Governor Control	276 ◆	271716	Washer—Sealing (Main Jet)			
			287	690940	Screw (Dipstick Tube)			
			291	790830	Thermostat			
			300	692038	Muffler (Super Lo Tone)			
					Note			
			300A	494343	Muffler (Square Lo Tone)			
			300B	497681	Muffler (Catalyst)			

★ Included in Engine Gasket Set—Ref. No.358.

● Included in Carburetor Overhaul Kit—Ref. No. 121.

◆ Included in Carburetor Gasket Set—Ref. No. 977.

∅ Included in Valve Gasket Set—Ref. No 1095.

Illustrations cover a range of engines. Parts shown without corresponding text may not be used on your specific engine.

0990-14

Assemblies include all parts shown in frames.

09/22/2004

REF. NO.	PART NO.	DESCRIPTION	REF. NO.	PART NO.	DESCRIPTION	REF. NO.	PART NO.	DESCRIPTION
305	691108	Screw (Blower Housing)	445A	491588	Filter–Air Cleaner Cartridge	604	691757	Cover–Control
306	690450	Shield–Cylinder	455	695161	Cup–Flywheel	604A	691344	Cover–Control
306A	790836	Shield–Cylinder	456	692299	Plate–Pawl Friction	608	497680	Starter–Rewind
307	690345	Screw (Cylinder Shield)	459	281505	Plate–Ratchet	613	691340	Screw (Muffler)
309	695550	Motor–Starter	474	691991	Alternator	613A	691653	Screw (Muffler)
310	692327	Bolt (Starter Motor)	497	690664	Screw (Stop Switch Bracket)	613B	691114	Screw (Muffler)
332	690662	Nut (Flywheel)	500	691086	Washer (Key Switch)	615	690340	Retainer–Governor Shaft
333	802574	Armature–Magneto Note ——— 790817 Armature– Magneto Used on Type No(s). 1738.	505	691251	Nut (Governor Control Lever)	616	698801	Crank–Governor
334	691061	Screw (Magneto Armature)	507	691972	Insulator	617★◆270344		Seal–O Ring (Intake Manifold)
337	802592	Plug–Spark (Resistor) Note ——— 697451 Plug–Spark (EMS)	510	494147	Drive–Starter	621	692310	Switch–Stop
346	690661	Screw (Spark Arrestor)	513	692358	Clutch–Drive	627	692872	Bracket–Stop Switch
347	691396	Switch–Rocker	520	691084	Terminal–Ground	633	◆◆691321	Seal–Choke/Throttle Shaft (Throttle)
356	692390	Wire–Stop	523	495264	Dipstick Note ——— 499621 Dipstick Used on Type No(s). 1720.	633A	◆◆693867	Seal–Choke/Throttle Shaft (Choke)
356A	690650	Wire–Stop	524	★692296	Seal–Dipstick Tube	635	66538	Boot–Spark Plug
356B	693010	Wire–Stop	525	495265	Tube–Dipstick	651	691660	Screw (Starter Gear Cover)
356D	496381	Wire–Stop	529	691923	Grommet	664	691087	Nut (Key Switch)
356F	494250	Wire–Stop	544	690786	Armature–Starter	668	★493823	Spacer (Includes 2)
358	497316	Gasket Set–Engine	545	492919	Washer Set (Starter Motor)	670	692294	Spacer–Fuel Tank
359	691077	Washer (Ground Terminal)	562	92613	Bolt (Governor Control Lever)	676	396548	Deflector–Muffler (Louvered)
363	19069	Flywheel Puller	564	690664	Screw (Control Cover) Note ——— 691132 Screw (Control Cover)	676A	393756	Deflector–Muffler (Side Out)
365	692524	Screw (Carburetor)	564A	691142	Screw (Control Cover)	676B	397931	Deflector–Muffler (Direct Out)
373	691612	Nut (Ground Terminal)	584	697734	Cover–Breather Passage	676C	493871	Deflector–Muffler (Side Out) (Extended)
374	691074	Washer (Camshaft)	585	★691879	Gasket–Breather Passage	677	690661	Screw (Muffler Deflector)
383	89838	Wrench–Spark Plug	592	690800	Nut (Rewind Starter)	684	690345	Screw (Breather Passage Cover)
404	690272	Washer (Governor Crank)	597	691696	Screw (Pawl Friction Plate)	689	691855	Spring–Friction
425A	690670	Screw (Air Cleaner Cover)	601	95162	Clamp–Hose	692	690572	Spring–Detent
443A	692523	Screw (Air Cleaner Primer Base)	601A	691038	Clamp–Hose	697	691127	Screw (Drive Cap)

★ Included in Engine Gasket Set–Ref. No.358.

● Included in Carburetor Overhaul Kit–Ref. No. 121.

◆ Included in Carburetor Gasket Set–Ref. No. 977.

⊘ Included in Valve Gasket Set–Ref. No 1095.

Illustrations cover a range of engines. Parts shown without corresponding text may not be used on your specific engine.

12H800

REF. NO.	PART NO.	DESCRIPTION	REF. NO.	PART NO.	DESCRIPTION	REF. NO.	PART NO.	DESCRIPTION
715	691147	Screw (Shaft Stop)	801	690782	Cap-Drive	883	★ 691881	Gasket-Exhaust
718	690959	Pin-Locating	802	695267	Cap-End (Used After Code Date 00040600).	892	690646	Switch-Key
721	690449	Stop-Shaft				910	691094	Stud (Alternator)
741	790345	Gear-Timing (Use Without Woodruff Key) ———— Note ——— 691830 Gear-Timing (Uses Woodruff Key)	803	695266	Housing-Starter (Used After Code Date 00040600). ———— Note ——— 695975 Housing- Starter (Used Before Code Date 00040700).	921	497233	Cover-Blower Housing ———— Note ——— 692933 Cover-Blower Housing Used on Type No(s). 1520, 1530, 1531, 1567, 2611, 2612, 2630, 2631, 2667, 2678.
742	93941	Retainer-E Ring				921A	695886	Cover-Blower Housing
743	691772	Gear-Drive (Counterclockwise) ———— Note ——— 690516 Gear-Drive (Clockwise) Used on Type No(s). 0823.	832	499034	Guard-Muffler	921B	692931	Cover-Blower Housing Used on Type No(s). 2320, 2331, 2626, 2391, 2396. ———— Note ——— 692932 Cover-Blower Housing Used on Type No(s). 2333, 2334.
745	691648	Screw (Brake)	832A	691424	Guard-Muffler			
783	691918	Gear-Pinion (19 Teeth) (Starter Drive)	832B	497683	Guard-Muffler			
783A	691269	Gear-Pinion (12 Teeth)	836	690664	Screw (Muffler Guard)			
784	692341	Cover-Starter Gear	836A	690661	Screw (Muffler Guard)			
785	692352	Gasket-Starter Cover	836B	691147	Screw (Muffler Guard)	921C	695889	Cover-Blower Housing Used on Type No(s). 1996, 2324, 2384, 2385, 2386, 2387, 2388, 2389, 2390, 2394, 2395.
789	695551	Harness-Wiring Used on Type No(s). 3179.	842	★691031	Seal-O Ring (Dipstick Tube)	921E	696262	Cover-Blower Housing
789A	695552	Harness-Wiring (Used After Code Date 00040600). ———— Note ——— 691372 Harness- Wiring (Used Before Code Date 00040700).	843	691884	Sleeve-Lever (Speed Control)	921F	697343	Cover-Blower Housing
789B	696547	Harness-Wiring Used on Type No(s). 0665, 0672, 1373, 1374, 1377, 1733, 1736, 1785, 1789, 1791, 1794, 1936, 1962, 1968, 1970, 1990, 1991, 1993, 1995, 2003, 2388, 2396, 2648, 3127, 3130, 3137, 3312, 3315, 3317, 3322. ———— Note ——— 696546 Harness- Wiring Used on Type No(s). 2333, 3138.	843A	691895	Sleeve-Lever (Choke)	921H	790037	Cover-Blower Housing
			847	692017	Dipstick/Tube Assembly ———— Note ——— 692047 Dipstick/Tube Assembly Used on Type No(s). 1720.	922	691831	Spring-Brake
			851	493880	Terminal-Spark Plug	922A	692135	Spring-Brake
			853	695268	Adapter-Wire	923	691994	Brake
			869	691155	Seat-Valve (Intake)	923A	695891	Brake
			870	690380	Seat-Valve (Exhaust)	925	690595	Cover-Linkage
			871	262001	Bushing-Valve Guide (Exhaust) ———— Note ——— 63709 Bushing-Valve Guide (Intake)	930	691919	Guard-Rewind (Round)
						930A	691345	Guard-Rewind (Teardrop)
						935	499421	Switch-Interlock
						937	691325	Spline-Starter
						940	690664	Screw (Casing Clamp Bracket)

★ Included in Engine Gasket Set-Ref. No.358.

● Included in Carburetor Overhaul Kit-Ref. No. 121.

◆ Included in Carburetor Gasket Set-Ref. No. 977.

⊘ Included in Valve Gasket Set-Ref. No.1095.

Illustrations cover a range of engines. Parts shown without corresponding text may not be used on your specific engine.

REF. NO.	PART NO.	DESCRIPTION	REF. NO.	PART NO.	DESCRIPTION	REF. NO.	PART NO.	DESCRIPTION
957	397974	Cap–Fuel Tank (Plastic) Note _____ 692662 Cap–Fuel Tank (Plastic) Used on Type No(s). 2384, 3312, 3318, 3319.	1005	691346	Fan–Flywheel	1059	692311	Kit–Screw/Washer Note _____
			1009	696255	Screw (Starter Motor)			696293 Kit–Screw/Washer (Touch N Mow)
			1019	494256	Kit–Label Note _____	1095	498528	Gasket Set–Valve
957A	692046	Cap–Fuel Tank (Plastic)	1036	790412	790231 Kit–Label (Touch N Mow) Label–Emission (Used After Code Date 04063000). Note _____	1102	691266	Pilot–Guide Used on Type No(s). 1167, 1715, 2367, 2673. Note _____
958	698183	Valve–Fuel Shut Off (Plastic)			695111 Label–Emission (Used After Code Date 99093000 and Before Code Date 04070100).			691255 Pilot–Guide Used on Type No(s). 1955, 1961, 2681, 3183.
966A	496116	Base–Air Cleaner Primer			694458 Emission Label (Used After Code Date 98123100 and Before Code Date 99100100).	1119	691648	Screw (Alternator)
967A	493537	Filter–Pre Cleaner			499341 Emission Label (Used After Code Date 97052500 and Before Code Date 99010100).	1160	691627	Screw (Interlock Switch)
968B	692298	Cover–Air Cleaner			499340 Emission Label (Used Before Code Date 97052600).	1210	498144	Pulley/Spring Assembly (Pulley)
969	690700	Screw (Blower Housing Cover)			790413 Label–Emission (Used On Engines With D1 Trim)	1211	498144	Pulley/Spring Assembly (Spring)
969A	691138	Screw (Blower Housing Cover)			697378 Label–Emission (Used On Engines With D1 Trim)	1236	695959	Starter–Mechanical (Touch N Mow) (Do Not Service Individual Parts, Only As A Whole) Note _____
970	691669	Screw (Air Cleaner Primer Bracket)			274940 Owner's Manual (Touch N Mow)			699914 Starter–Mechanical (Touch N Mow) (Do Not Service Individual Parts, Only As A Whole) Used on Type No(s). 2001.
972B	693377	Tank–Fuel (Plastic) Note _____ 695960 Tank–Fuel (Plastic) Used on Type No(s). 1375, 1376, 1717, 1718, 1719, 1730, 1731, 1732, 1735, 1754, 1792, 1795, 1959, 1960, 1996, 2001, 2002, 2326, 3181, 3187, 3188.	1058	275177	Owner's Manual	1330	270962	Manual–Repair
975	493640	Bowl–Float				1386	790848	Vane–Air (Autochoke System)
976	694395	Primer–Carburetor				1387	790849	Spring–Air Vane
977	498261	Gasket Set–Carburetor				1388	790850	Screw (Air Vane) (Autochoke System)
986	693514	Filter–Debris Foam						
990	691959	Key Set						
990A	695951	Key Set (Touch N Mow)						
994	398067	Arrestor–Spark						

★ Included in Engine Gasket Set–Ref. No.358.

● Included in Carburetor Overhaul Kit–Ref. No. 121.

◆ Included in Carburetor Gasket Set–Ref. No. 977.

⊘ Included in Valve Gasket Set–Ref. No. 1095.

Illustrations cover a range of engines. Parts shown without corresponding text may not be used on your specific engine.