



Illustrated Parts List

Model Series

12F800

TYPE NUMBERS
0600 through 3511.

TABLE OF CONTENTS

Alternator	8
Air Cleaner	4
Blower Housing/Shrouds	6
Camshaft	2
Carburetor	3
Controls	5
Crankshaft	2
Cylinder	2
Electric Starter	8
Electrical	8
Engine Sump	2
Exhaust System	4
Flywheel	7
Flywheel Brake	8
Fuel Supply	5
Governor Spring	5
Ignition	8
Lubrication	2
Kits/Gaskets	2 & 3
Piston Group	2
Rewind Starter	7
Valves	2



PRINTED IN U.S.A.

COPYRIGHT by BRIGGS & STRATTON CORPORATION
All rights reserved. No part of this material may be reproduced or transmitted, in any form or by any means, electronic or mechanical, including photocopying, recording or by any information storage and retrieval system, without permission in writing from Briggs & Stratton Corporation.

12F800

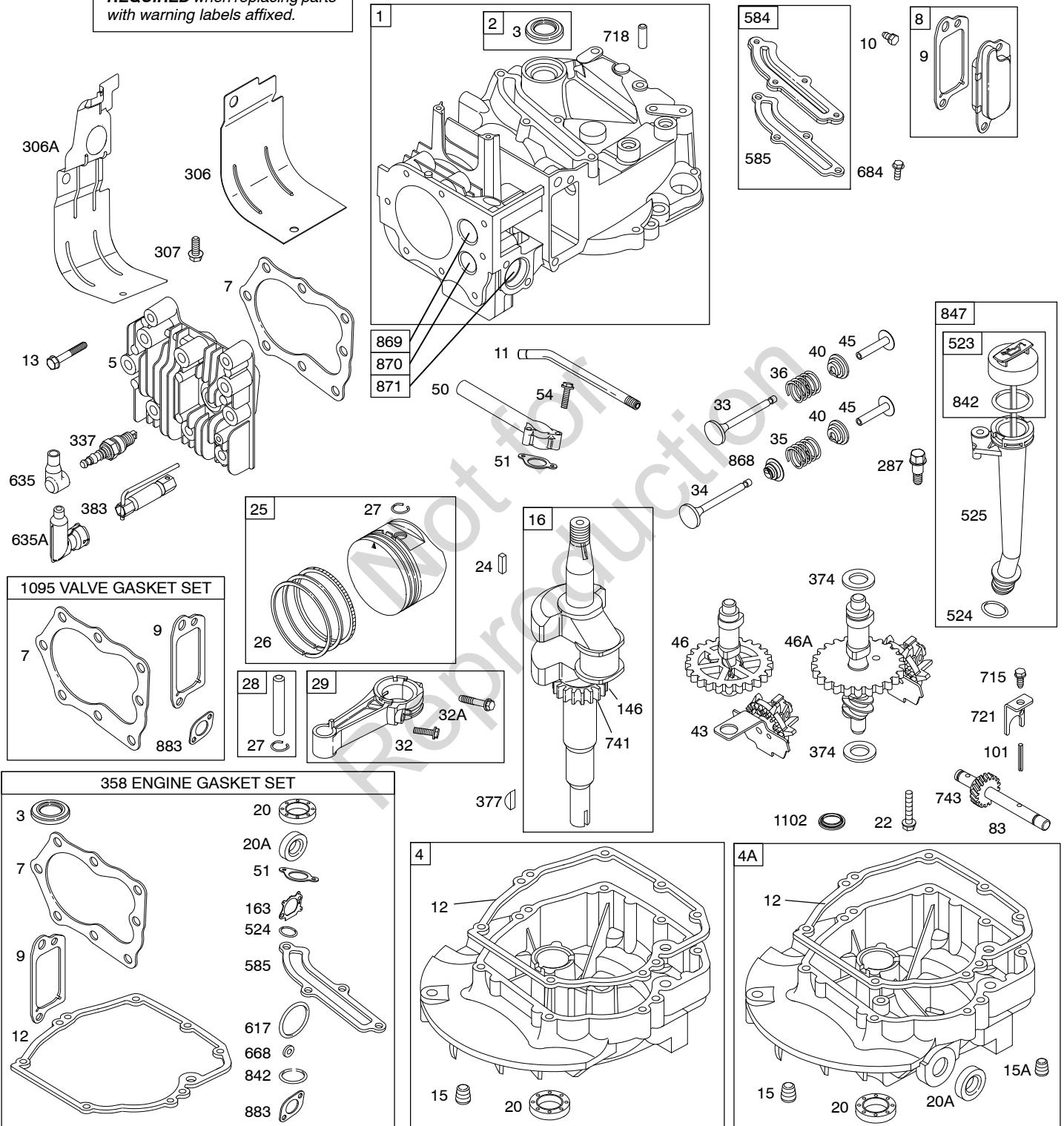
1319 WARNING LABEL

REQUIRED when replacing parts with warning labels affixed.

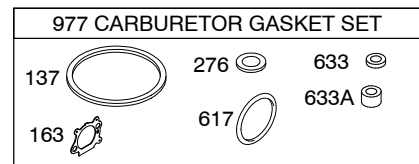
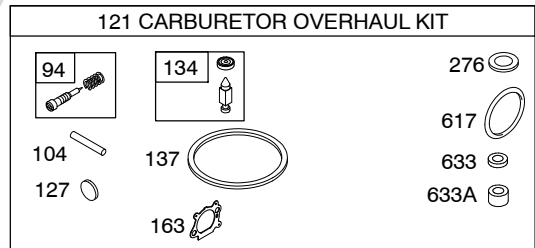
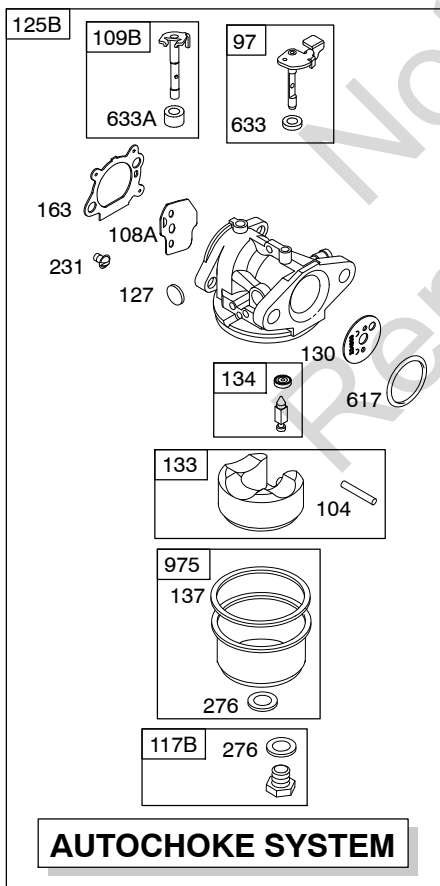
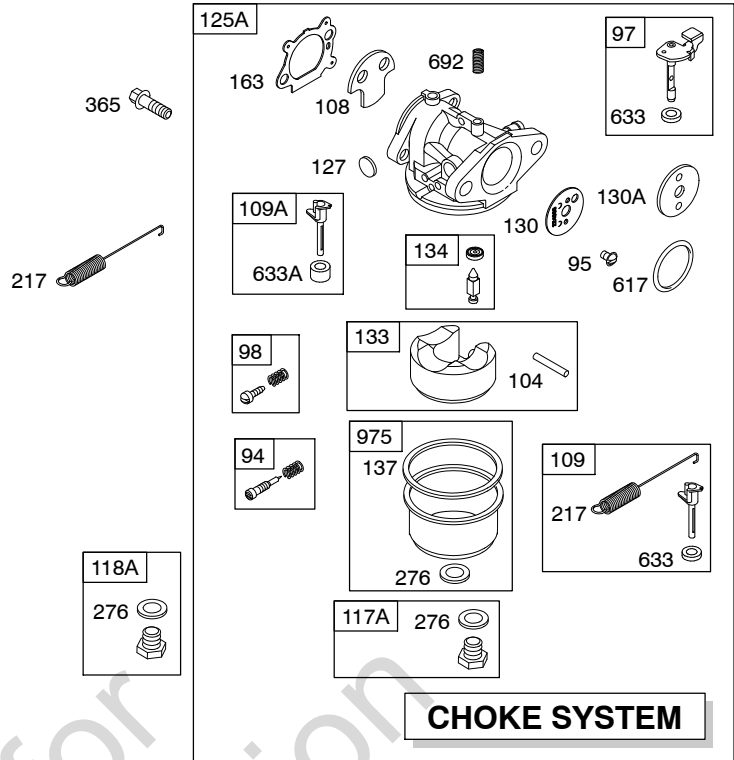
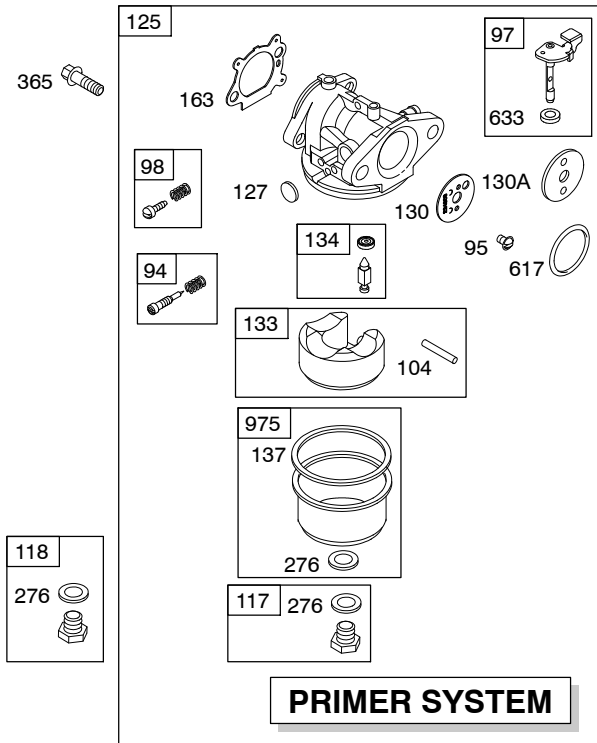
1058 OPERATOR'S MANUAL

1330 REPAIR MANUAL

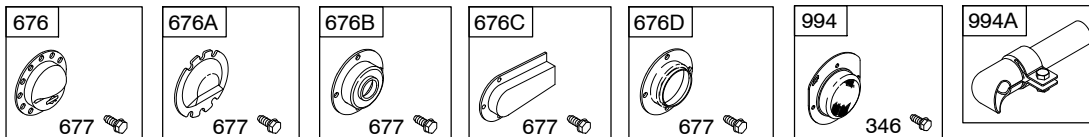
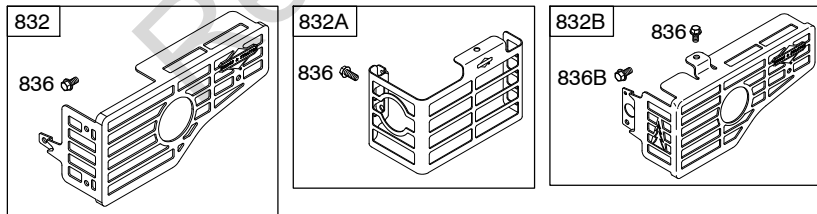
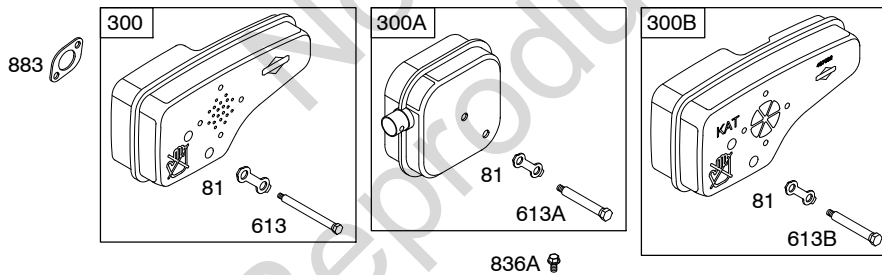
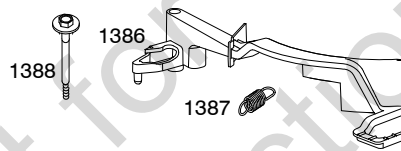
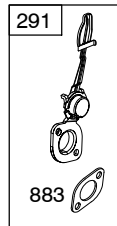
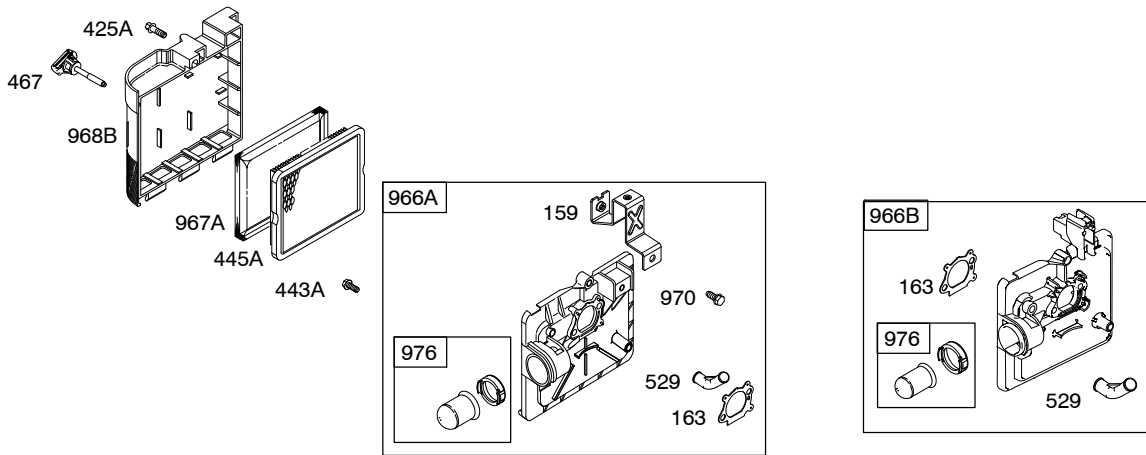
1019 LABEL KIT



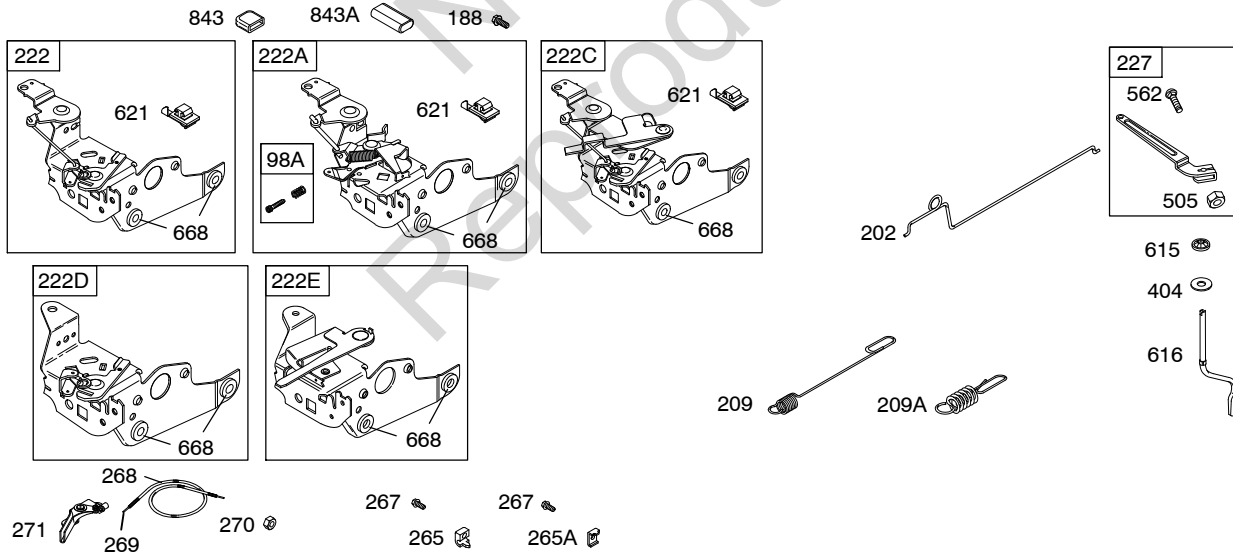
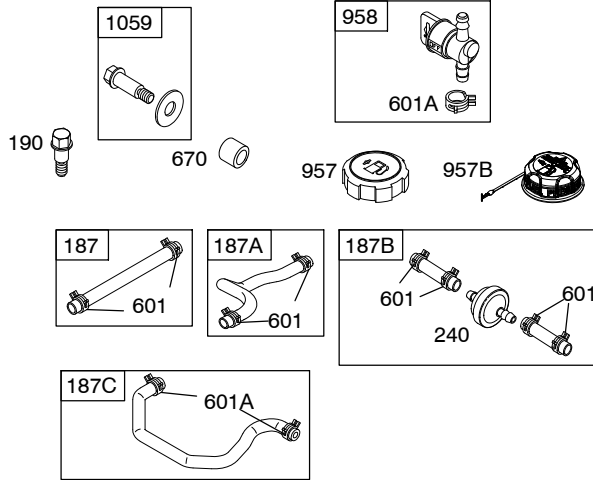
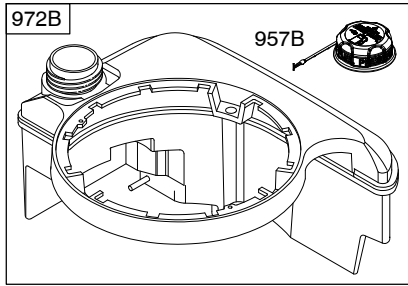
Illustrations cover a range of engines. Parts shown without corresponding text may not be used on your specific engine. 0517-2 Assemblies include all parts shown in frames. 12/01/2009



12F800

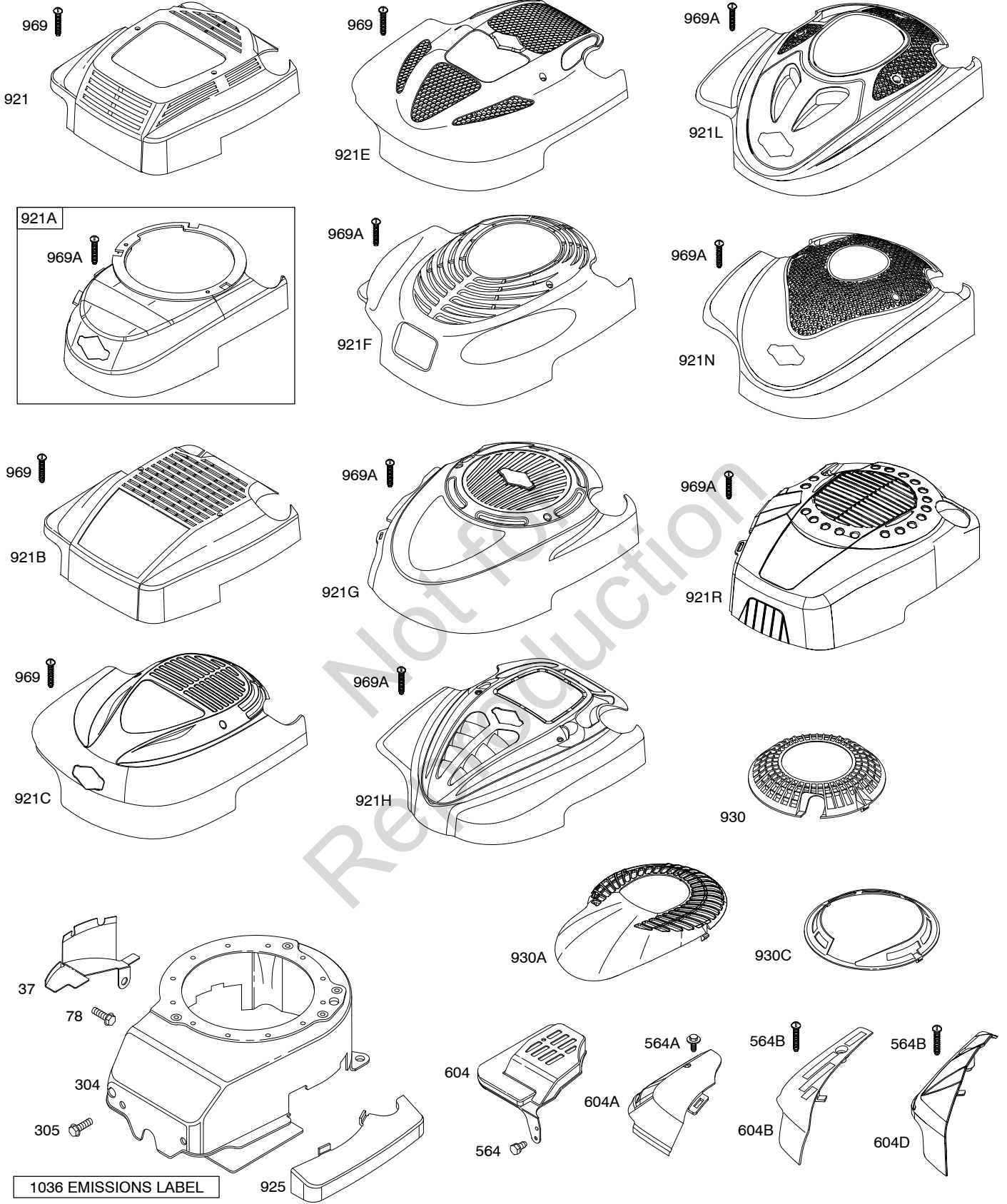


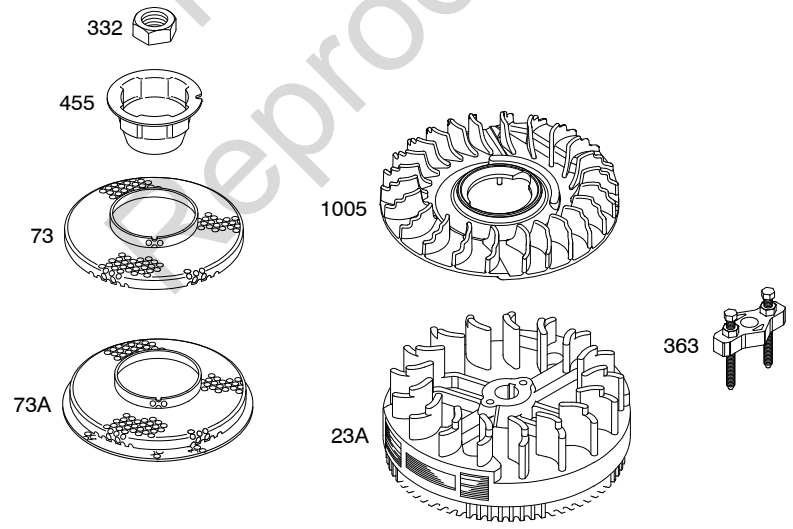
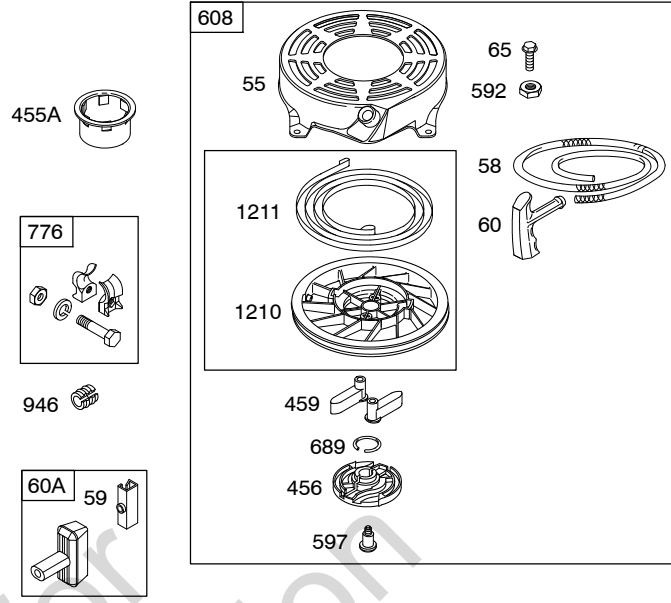
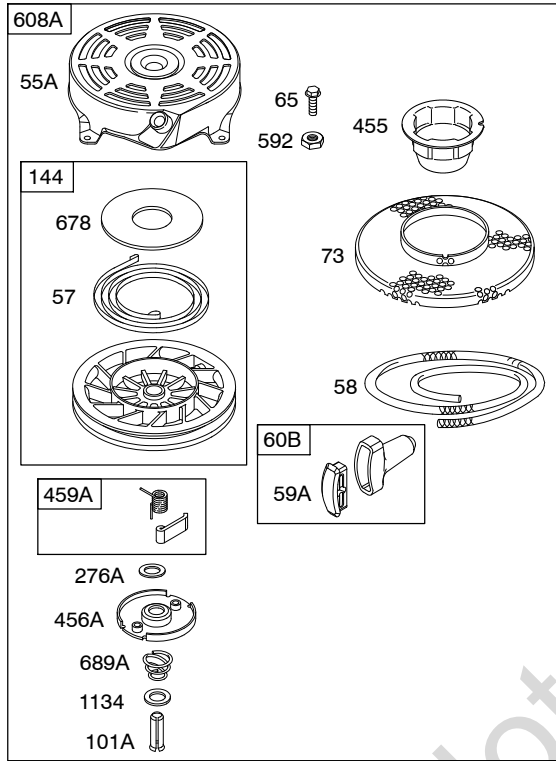
Illustrations cover a range of engines. Parts shown without corresponding text may not be used on your specific engine.
 0517-4 Assemblies include all parts shown in frames. 12/01/2009



0517-5 *Illustrations cover a range of engines. Parts shown without corresponding text may not be used on your specific engine.* Assemblies include all parts shown in frames. 12/01/2009

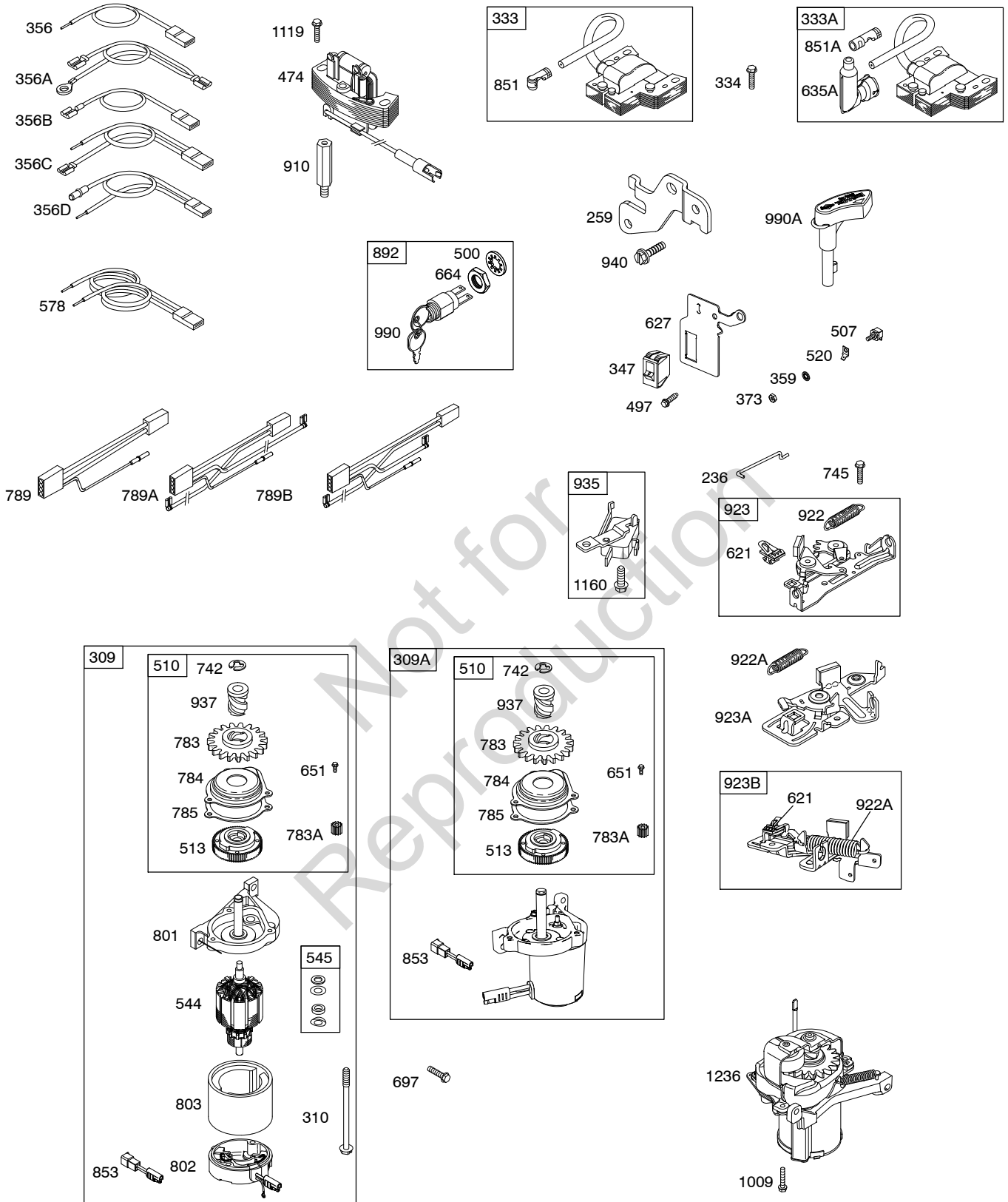
12F800





0517-7 *Illustrations cover a range of engines. Parts shown without corresponding text may not be used on your specific engine.* Assemblies include all parts shown in frames. 12/01/2009

12F800



Illustrations cover a range of engines. Parts shown without corresponding text may not be used on your specific engine.
 0517-8 Assemblies include all parts shown in frames. 12/01/2009

REF. NO.	PART NO.	DESCRIPTION	REF. NO.	PART NO.	DESCRIPTION	REF. NO.	PART NO.	DESCRIPTION
1	697322	Cylinder Assembly	5	691160	Head-Cylinder	12	★692232	Gasket-Crankcase
2	399269	Kit-Bushing/Seal (Magneto Side)	7	★∅692249	Gasket-Cylinder Head	13	690912	Screw (Cylinder Head)
3	★299819S	Seal-Oil (Magneto Side)	8	495786	Breather Assembly	15	691680	Plug-Oil Drain (Square Socket)
4	493279	Sump-Engine	9	★∅699833	Gasket-Breather	15A	691093	Plug-Oil Drain (Hex Socket)
		----- Note ----- 498983 Sump-Engine Used on Type No(s). 2026, 3116, 3134. 696294 Sump-Engine Used on Type No(s). 1717, 1718, 1925, 1958, 2027, 2038, 2044, 2046, 2327, 2329, 2611, 2612, 2613, 3186, 3322, 3324.	10	94650	Screw (Breather Assembly)			
4A	493365	Sump-Engine (Auxiliary PTO)	11	691781	Tube-Breather			
		----- Note ----- 699920 Sump-Engine (Auxiliary PTO) Used on Type No(s). 2007, 2685, 2687.						

Not for
Reproduction

★ Included in Engine Gasket Set-Ref. No.358.
● Included in Carburetor Overhaul Kit-Ref. No. 121.

◆ Included in Carburetor Gasket Set-Ref. No. 977.
∅ Included in Valve Gasket Set-Ref. No 1095.

Illustrations cover a range of engines. Parts shown without corresponding text may not be used on your specific engine.
0517-9 Assemblies include all parts shown in frames. 12/01/2009

12F800

REF. NO.	PART NO.	DESCRIPTION	REF. NO.	PART NO.	DESCRIPTION	REF. NO.	PART NO.	DESCRIPTION
16	691451	Crankshaft (Used After Code Date 97011200). ----- Note ----- 694442 Crankshaft (Used Before Code Date 97011300). 691450 Crankshaft (Used After Code Date 97011200). Used on Type No(s). 0600,0808,0820,0833, 0835,0838,0840,0841, 0842,0852,0863,0876, 0884,0890,0906,1108, 1110,1147,1149,1154, 1159,1160,1162,1163, 1173,1174,1188,1191, 1201,1215,1220,1221, 1312,1508,1523,1524, 1557,1558,1560,1569, 1573,1700,1718,1719, 1720,1721,1722,1737, 1791,1908,1932,1946, 1947,1949,1950,1951, 1952,1961,1962,1965, 1968,1969,1970,1971, 1973,1974,1976,1985, 2006,2011,2021,2047, 2058,2059,2308,2310, 2373,2374,2608,2611, 2612,2613,2623,2624, 2625,2626,2627,2628, 2925,3112,3133,3180, 3185,3186,3187,3188. 694440 Crankshaft (Used Before Code Date 97011300). Used on Type No(s). 0600,0808,0820,0833, 0835,0838,0840,0841, 0842,0852,0863,0876, 0884,0890,0906,1108, 1110,1147,1149,1154, 1159,1160,1162,1163, 1173,1174,1188,1191, 1508,1523,1524,1557, 1558,1560,1569,1573, 1976. 692980 Crankshaft (Used After Code Date 97011200). Used on Type No(s). 0650,0667,1734,1735, 1750,1767.			694443 Crankshaft (Used Before Code Date 97011300). Used on Type No(s). 0650,0667,1750. 691452 Crankshaft (Used After Code Date 97011200). Used on Type No(s). 0639,0640,0653,0654, 0817,0823,0830,0844, 0845,0853,0859,0862, 0866,0868,0870,0874, 0879,0882,0883,0887, 0894,0905,0907,0908, 0911,0914,0915,0916, 0918,1145,1151,1152, 1157,1158,1166,1167, 1170,1171,1175,1178, 1181,1182,1183,1186, 1190,1193,1194,1198, 1199,1208,1209,1210, 1212,1310,1311,1318, 1319,1320,1327,1328, 1329,1360,1366,1376, 1377,1378,1520,1521, 1566,1571,1574,1717, 1733,1753,1754,1782, 1783,1785,1786,1792, 1793,1917,1927,1934, 1936,1937,1938,1941, 1943,1944,1945,1955, 1959,1966,1967,1982, 2003,2026,2027,2029, 2031,2032,2036,2049, 2050,2051,2052,2057, 2060,2327,2329,2355, 2356,2357,2366,2371, 2378,2379,2380,2399, 2402,2414,2671,2674, 2686,3105,3111,3119, 3120,3127,3131,3132, 3136,3165,3166,3168, 3177,3178,3200,3320, 3322,3323,3324,3325. 694059 Crankshaft (Used Before Code Date 97011300). Used on Type No(s). 0639,0640,0817,0823, 0830,0844,0845,0853, 0859,0862,0866,0868, 0870,0874,0879,0882, 0883,0887,0894,0907,			0908,1145,1151,1152, 1157,1158,1166,1167, 1170,1171,1175,1178, 1181,1182,1183,1186, 1190,1194,1310,1311, 1366,1376,1377,1520, 1521,1566,1571,1574. 691455 Crankshaft (Used After Code Date 97011200). Used on Type No(s). 0815,0877,0888,1189, 1192,1581,1914,1977, 2001,2017,2407,2411, 2409,2681,2682,2918. 691375 Crankshaft (Used Before Code Date 97011300). Used on Type No(s). 0815,0877,0888,1189, 1581. 691454 Crankshaft Used on Type No(s). 0857,0858,0860,0878, 0880,1164,1177,1948, 1978,1980,2004,2005, 2007,2037,2038,2044, 2045,2685,2687,3510, 3511. 692981 Crankshaft (Used After Code Date 97011200). Used on Type No(s). 1142. Used on Type No(s). 1142. 691482 Crankshaft Used on Type No(s). 3116, 3134. 694079 Crankshaft Used on Type No(s). 1769. 696009 Crankshaft Used on Type No(s). 1770,1901. 695242 Crankshaft Used on Type No(s). 1213, 1214, 2033. 694850 Crankshaft Used on Type No(s). 2406, 2413.

★ Included in Engine Gasket Set-Ref. No.358.

● Included in Carburetor Overhaul Kit-Ref. No. 121.

◆ Included in Carburetor Gasket Set-Ref. No. 977.

⊗ Included in Valve Gasket Set-Ref. No 1095.

Illustrations cover a range of engines. Parts shown without corresponding text may not be used on your specific engine.

REF. NO.	PART NO.	DESCRIPTION	REF. NO.	PART NO.	DESCRIPTION	REF. NO.	PART NO.	DESCRIPTION
20	★399781S	Seal-Oil (PTO Side)	25	797302	Piston Assembly (Standard) (Used After Code Date 09041600).	26	797304	Ring Set (Standard) (Used After Code Date 09041600).
20A	★691952	Seal-Oil (PTO Side) (Auxiliary PTO)			----- Note ----- 795429 Piston Assembly (Standard) (Used After Code Date 07090300 and Before Code Date 09041700).			----- Note ----- 795431 Ring Set (Standard) (Used After Code Date 07090300 and Before Code Date 09041700).
22	691092	Screw (Crankcase Cover/Sump)			791097 Piston Assembly (Used After Code Date 97011200 and Before Code Date 07090400).			499425 Ring Set (Standard) (Used After Code Date 97011200 and Before Code Date 04031500).
23A	691987	Flywheel ----- Note ----- 691992 Flywheel Used on Type No(s). 0645, 0817, 0882, 0883, 0905, 1189, 1192, 1570, 1571, 1580, 1581, 1782, 1785, 1914, 1917, 1982, 2001, 2017, 2026, 2029, 2031, 2035, 2036, 2049, 2051, 2056, 2406, 2413, 2325, 2356, 2403, 2404, 2405, 2407, 2671, 2681, 2682, 3116, 3181, 3182. 696291 Flywheel Used on Type No(s). 1717, 1718, 1925, 1958, 2007, 2027, 2038, 2044, 2046, 2327, 2329, 2611, 2612, 2613, 2685, 2687, 3186, 3322, 3324.			493262 Piston Assembly (Standard) (Used Before Code Date 97011300). 797303 Piston Assembly (.020" Oversize) (Used After Code Date 09041600). 795430 Piston Assembly (.020" Oversize) (Used After Code Date 07090300 and Before Code Date 09041700). 791326 Piston Assembly (.020" Oversize) (Used After Code Date 97011200 and Before Code Date 07090400). 493386 Piston Assembly (.020" Oversize) (Used Before Code Date 97011300). 493387 Piston Assembly (.030" Oversize) (Used Before Code Date 97011300).			791098 Ring Set (Standard) (Used After Code Date 04031400 and Before Code Date 07090400). 499425 Ring Set (Standard) (Used After Code Date 97011200 and Before Code Date 04031500). 493261 Ring Set (Standard) (Used Before Code Date 97011300). 797305 Ring Set (.020" Oversize) (Used After Code Date 09041600). 795432 Ring Set (.020" Oversize) (Used After Code Date 07090300 and Before Code Date 09041700). 791324 Ring Set (.020" Oversize) (Used After Code Date 04102100 and Before Code Date 07090400). 499427 Ring Set (.020" Oversize) (Used After Code Date 97011200 and Before Code Date 04102200). 493389 Ring Set (.020" Oversize) (Used Before Code Date 97011300). 493390 Ring Set (.030" Oversize) (Used Before Code Date 97011300).

★ Included in Engine Gasket Set-Ref. No.358.

● Included in Carburetor Overhaul Kit-Ref. No. 121.

◆ Included in Carburetor Gasket Set-Ref. No. 977.

⊘ Included in Valve Gasket Set-Ref. No 1095.

Illustrations cover a range of engines. Parts shown without corresponding text may not be used on your specific engine.

12F800

REF. NO.	PART NO.	DESCRIPTION	REF. NO.	PART NO.	DESCRIPTION	REF. NO.	PART NO.	DESCRIPTION
27	691588	Lock-Piston Pin (Used After Code Date 09041600). ----- Note ----- 691866 Lock-Piston Pin (Used After Code Date 97011200 and Before Code Date 09041700). 691588 Lock-Piston Pin (Used Before Code Date 97011300).	32	691664	Screw (Connecting Rod)	50	497465	Manifold-Intake
28	298909	Pin-Piston (Standard) (Used After Code Date 09041600). ----- Note ----- 499423 Pin-Piston (Standard) (Used After Code Date 97011200 and Before Code Date 09041700). 298909 Pin-Piston (Standard) (Used Before Code Date 97011300). 298908 Pin-Piston (.005" Oversize) (Used Before Code Date 97011300).	32A	695759	Screw (Connecting Rod) (Used After Code Date 00042200).	51	272199S	Gasket-Intake
29	797306	Rod-Connecting (Standard) (Used After Code Date 09041600). ----- Note ----- 499424 Rod-Connecting (Standard) (Used After Code Date 97011200 and Before Code Date 09041700). 490566 Rod-Connecting (Standard) (Used Before Code Date 97011300).	33	262651S	Valve-Exhaust	54	691650	Screw (Intake Manifold)
			34	262652S	Valve-Intake	55	691421	Housing-Rewind Starter
			35	691270	Spring-Valve (Intake)	55A	492831	Housing-Rewind Starter
			36	691270	Spring-Valve (Exhaust)	57	491889	Spring-Rewind Starter
			37	694086	Guard-Flywheel	58	280399S	Rope-Starter (Cut To Required Length) ----- Note ----- 791362 Rope-Starter Used on Type No(s). 1968.
			40	692194	Retainer-Valve	59	692594	Insert-Grip
			43	691997	Slinger-Governor/Oil ----- Note ----- 691486 Slinger-Governor/Oil Used on Type No(s). 3116.	59A	396892	Insert-Grip
			45	690548	Tappet-Valve	60	281434S	Grip-Starter Rope (One Piece)
			46	691449	Camshaft (Used After Code Date 96060200). ----- Note ----- 492830 Camshaft (Used Before Code Date 96060300).	60A	494212	Grip-Starter Rope (Two Piece)
			46A	691459	Camshaft (Counterclockwise) (Used After Code Date 96060200). ----- Note ----- 691460 Camshaft (Clockwise) (Used After Code Date 96060200). Used on Type No(s). 0860, 2950. 493740 Camshaft (Clockwise) (Used Before Code Date 96060300). Used on Type No(s). 0860, 2950.	60B	393152	Grip-Starter Rope
						65	690837	Screw (Rewind Starter)
						73	691222	Screen-Rotating
						73A	224527	Screen-Rotating
						78	691108	Screw (Flywheel Guard)
						81	691740	Lock-Muffler Screw
						83	691778	Shaft-Auxiliary Drive ----- Note ----- 690522 Shaft-Auxiliary Drive Used on Type No(s). 1170, 2950, 2951. 690527 Shaft-Auxiliary Drive Used on Type No(s). 1141, 1172, 1516.

★ Included in Engine Gasket Set-Ref. No.358.

● Included in Carburetor Overhaul Kit-Ref. No. 121.

◆ Included in Carburetor Gasket Set-Ref. No. 977.

⊘ Included in Valve Gasket Set-Ref. No 1095.

Illustrations cover a range of engines. Parts shown without corresponding text may not be used on your specific engine.

REF. NO.	PART NO.	DESCRIPTION	REF. NO.	PART NO.	DESCRIPTION	REF. NO.	PART NO.	DESCRIPTION
94	●493765	Kit-Idle Mixture	117	494870	Jet-Main (Standard)	118	497315	Jet-Main (High Altitude)
95	691636	Screw (Throttle Valve)			(Used After Code Date 96060200).			(Used After Code Date 96060200).
97	493267	Shaft-Throttle (Metal)			----- Note -----			----- Note -----
		----- Note -----			497466 Jet-Main (Standard)			496495 Jet-Main (High Altitude)
		696565 Shaft-Throttle (Plastic)			(Used After Code Date 95102900 and Before Code Date 96060300).			(Used After Code Date 95102900 and Before Code Date 96060300).
98	398185	Kit-Idle Speed (Carburetor)			497315 Jet-Main (Standard)			497348 Jet-Main (High Altitude)
98A	493280	Kit-Idle Speed (Control Bracket)			(Used Before Code Date 95103000).			(Used Before Code Date 95103000).
101	691623	Pin-Shaft						
101A	262626	Pin-Shaft						
104	●691242	Pin-Float Hinge	117A	498977	Jet-Main (Standard)	118A	498981	Jet-Main (High Altitude)
108	691182	Valve-Choke			(Used After Code Date 96060200).			(Used After Code Date 96060200).
108A	795935	Valve-Choke (Used After Code Date 08031200).			----- Note -----			----- Note -----
		----- Note -----			493637 Jet-Main (Standard)			496063 Jet-Main (High Altitude)
		790844 Valve-Choke (Used Before Code Date 08031300).			(Used Before Code Date 96060300).			(Used Before Code Date 96060300).
109	494218	Shaft-Choke			498978 Jet-Main (Standard)			498975 Jet-Main (High Altitude)
109A	498593	Shaft-Choke Used on Type No(s). 1910, 1914, 2001, 2017, 2026, 2403, 2404, 2405, 2406, 2407, 2413, 2681, 2682, 3116, 3134.			Used on Type No(s). 1910, 1914, 2017, 2026, 2403, 2404, 2405, 2407, 2681, 2682, 3116, 3134.			Used on Type No(s). 1910, 1914, 2017, 2026, 2403, 2404, 2405, 2407, 2681, 2682, 3116, 3134.
109B	795936	Shaft-Choke (Used After Code Date 08031200).			498981 Jet-Main (Standard)			494870 Jet-Main (High Altitude)
		----- Note -----			Used on Type No(s). 0727, 1726, 1737, 1787, 1788, 1789, 1928, 1929, 1930, 2001, 2054, 2055, 2056, 2406, 2413.			Used on Type No(s). 0727, 1726, 1737, 1787, 1788, 1789, 1928, 1929, 1930, 2001, 2054, 2055, 2056, 2406, 2413.
		790843 Shaft-Choke (Used Before Code Date 08031300).	117B	697355	Jet-Main (Standard)	118B	692677	Jet-Main (High Altitude)

★ Included in Engine Gasket Set-Ref. No.358.
● Included in Carburetor Overhaul Kit-Ref. No. 121.

◆ Included in Carburetor Gasket Set-Ref. No. 977.
⊘ Included in Valve Gasket Set-Ref. No 1095.

Illustrations cover a range of engines. Parts shown without corresponding text may not be used on your specific engine.

12F800

REF. NO.	PART NO.	DESCRIPTION	REF. NO.	PART NO.	DESCRIPTION	REF. NO.	PART NO.	DESCRIPTION
121	498260	Kit-Carburetor Overhaul	127	●694468	Plug-Welch	187	791766	Line-Fuel (Cut to Required Length)
125	498170	Carburetor (Used After Code Date 96060200).	130	696564	Valve-Throttle			----- Note -----
		----- Note -----			691203 Valve-Throttle			----- Note -----
		498254 Carburetor (Used Before Code Date 96060300).			Used on Type No(s). 1910, 1914, 2017, 2026, 2403, 2404, 2405, 2407, 2681, 2682, 3116.			791745 Line-Fuel (Cut to Required Length) Used on Type No(s). 0853, 1718, 2612, 2613.
		790821 Carburetor Used on Type No(s). 1931.	130A	691181	Valve-Throttle	187A	791873	Line-Fuel (Molded)
125A	498965	Carburetor (Used After Code Date 96060200).	133	398187	Float-Carburetor	187B	791891	Line-Fuel (Includes Filter)
		----- Note -----	134	●398188	Kit-Needle/Seat	187C	791875	Line-Fuel (Molded)
		494217 Carburetor (Used Before Code Date 96060300).	137	●693981	Gasket-Float Bowl			----- Note -----
		499059 Carburetor Used on Type No(s). 1910, 1914, 2017, 2026, 2403, 2404, 2405, 2407, 2681, 2682, 3116, 3134.	144	493824	Pulley/Spring Assembly			791870 Line-Fuel (Molded) (Used After Code Date 05063000). Used on Type No(s). 0853, 1718, 2612, 2613.
		790978 Carburetor Used on Type No(s). 0727, 1726, 1737, 1787, 1788, 1789, 1928, 1929, 1930, 2054, 2055, 2056, .	146	690979	Key-Timing			698164 Line-Fuel (Molded) (Used Before Code Date 05070100). Used on Type No(s). 0853, 1718, 2612, 2613.
		792253 Carburetor Used on Type No(s). 2001, 2406, 2413.	159	691753	Bracket-Air Cleaner Primer	188	690877	Screw (Control Bracket)
125B	790845	Carburetor	163★●272653		Gasket-Air Cleaner	190	690940	Screw (Fuel Tank)
						202	691829	Link-Mechanical Governor

★ Included in Engine Gasket Set-Ref. No.358.

● Included in Carburetor Overhaul Kit-Ref. No. 121.

◆ Included in Carburetor Gasket Set-Ref. No. 977.

⊘ Included in Valve Gasket Set-Ref. No 1095.

Illustrations cover a range of engines. Parts shown without corresponding text may not be used on your specific engine.

REF. NO.	PART NO.	DESCRIPTION	REF. NO.	PART NO.	DESCRIPTION	REF. NO.	PART NO.	DESCRIPTION
209	691292	Spring-Governor ----- Note ----- 691851 Spring-Governor Used on Type No(s). 0820, 0838, 0842, 0843, 0847, 0875, 0876, 0906, 0910, 0919, 1147, 1160, 1175, 1187, 1191, 1312, 1317, 1328, 1379, 1520, 1559, 1560, 1562, 1568, 1573, 1729, 1781, 1911, 1912, 1918, 1925, 1940, 1956, 1969, 1975, 1976, 2001, 2006, 2010, 2011, 2013, 2021, 2043, 2048, 2310, 2373, 2374, 2403, 2404, 2405, 2406, 2413, 3112, 3117, 3118, 3120, 3179, 3180, 3183, 3184, 3185, 3186, 3188. 691290 Spring-Governor Used on Type No(s). 1910, 1914, 2026. 691291 Spring-Governor Used on Type No(s). 0848, 0878, 0880, 0890, 1189, 1733, 1948, 1978, 1980. 691852 Spring-Governor Used on Type No(s). 1210, 1212, 1380, 1381, 1770, 1790, 1792, 1901, 1923, 1924, 1927, 1941, 1944, 1955, 1967, 1970, 1986, 1987, 2004, 2005, 2007, 2046, 2060, 2329, 2357, 2375, 2376, 2377, 2378, 2379, 2614, 2687, 3128, 3130, 3135, 3168, 3181.			699056 Spring-Governor Used on Type No(s). 0600, 0610, 0625, 0630, 0632, 0639, 0640, 0808, 0817, 0821, 0823, 0826, 0829, 0836, 0839, 0853, 0883, 0899, 0909, 1108, 1119, 1128, 1141, 1145, 1148, 1152, 1153, 1156, 1172, 1199, 1313, 1315, 1329, 1508, 1516, 1521, 1574, 1700, 1725, 1730, 1732, 1782, 1908, 1915, 1917, 1943, 1968, 1999, 2003, 2008, 2009, 2022, 2051, 2052, 2062, 2308, 2319, 2353, 2409, 2608, 2674, 2684, 2686, 3113, 3115, 3187. 690241 Spring-Governor Used on Type No(s). 3116, 3134. 693187 Spring-Governor Used on Type No(s). 2681, 2682, 2407.	209A	691835	Spring-Governor ----- Note ----- 690568 Spring-Governor Used on Type No(s). 1192. 691275 Spring-Governor Used on Type No(s). 0833, 0835, 1110, 1173, 1174, 1581. 691833 Spring-Governor Used on Type No(s). 0837, 0841, 0869, 1176. 691834 Spring-Governor Used on Type No(s). 0822, 1188, 1201, 1215. 690569 Spring-Governor Used on Type No(s). 0637, 0638, 0645, 0818, 0819, 0918, 1159, 1210, 1212, 1213, 1214, 1220, 1221, 1327, 1941, 1944, 2329, 2357, 2377, 2378, 3168. 691276 Spring-Governor Used on Type No(s). 0892, 0917. 262663 Spring-Governor Used on Type No(s). 0642, 0644, 0911, 2056, . 791157 Spring-Governor Used on Type No(s). 1726, 1727, 1737, 1787, 1788, 1789, 1928, 1929, 1930, 2054, 2055.

★ Included in Engine Gasket Set-Ref. No.358.

● Included in Carburetor Overhaul Kit-Ref. No. 121.

◆ Included in Carburetor Gasket Set-Ref. No. 977.

⊘ Included in Valve Gasket Set-Ref. No 1095.

Illustrations cover a range of engines. Parts shown without corresponding text may not be used on your specific engine.

12F800

REF. NO.	PART NO.	DESCRIPTION	REF. NO.	PART NO.	DESCRIPTION	REF. NO.	PART NO.	DESCRIPTION
217	690354	Spring-Choke Return	268	691025	Casing-Control Wire (Cut to Required Length)			2048,2049,2051,2052, 2062,2325,2356,2403, 2404,2405,2406,2413, 2407,2624,2625,2627, 2671,2681,2682,2686, 3110,3112,3116,3117, 3120,3129,3134,3179, 3180,3181,3182,3184.
222	790143	Bracket-Control (Remote/Manual Friction)(Primer)	269	691026	Wire-Control (Cut to Required Length)			3180,3181,3182,3184.
222A	692021	Bracket-Control (Remote Choke A Matic, Non Compliance) ----- Note ----- 790982 Bracket-Control Used on Type No(s). 1726, 1727, 1737, 1787, 1788, 1928, 1929, 1930, 2054, 2055.	270	691027	Nut (Control Wire Casing)			695892 Housing-Blower Used on Type No(s). 1220,1221,1721,1722, 1723,1737,1788,1904, 1931,1932,1946,1947, 1949,1952,1960,1961, 1962,1963,1965,1968, 1969,1971,1973,1974, 2041,2411,2628,3135, 3136.
222C	692150	Bracket-Control (Remote/Manual Friction) (Variable Speed and 5 Position Manual Choke)	271	691028	Lever-Control			696298 Housing-Blower Used on Type No(s). 1717,1718,1925,1958, 2027,2038,2044,2046, 2327,2329,2611,2612, 2613,2685,2687,3186, 3322,3324.
222D	692467	Bracket-Control (Remote/Manual Friction) (Variable Speed and 5 Position Manual Choke, Without Stopswitch) ----- Note ----- 791128 Bracket-Control Used on Type No(s). 1901, 1904, 1965, 1971, 1973.	276	271716	Washer-Sealing			791291 Housing-Blower Used on Type No(s). 2047.
222E	692982	Bracket-Control (Fixed Speed and 5 Position Manual Choke)	276A	280973	Washer-Sealing (Pawl Friction Plate)			790983 Housing-Blower Used on Type No(s). 2058.
227	690783	Lever-Governor Control	287	690940	Screw (Dipstick Tube)			790826 Housing-Blower Used on Type No(s). 1970,2059.
231	691636	Screw (Choke Valve)	291	790830	Thermostat			695892 Housing-Blower (Used After Code Date 06081300). Used on Type No(s). 1734,1959,1987,2045, 2055,2057,2060,2380.
236	691826	Link-Lockout	300	496106S	Muffler (Tuned) ----- Note ----- 790828 Muffler Used on Type No(s). 1970, 2047, 2058, 2059.			493293 Housing-Blower Used on Type No(s). 0645,0653,0817,0837, 0841,0842,0843,0847, 0859,0862,0869,0875, 0879,0882,0883,0905, 0906,0908,0910,0917, 0919,1160,1161,1162, 1167,1175,1176,1177, 1178,1181,1182,1186, 1187,1189,1191,1192, 1198,1199,1312,1314, 1328,1329,1360,1379, 1524,1558,1559,1560, 1562,1568,1570,1571, 1573,1580,1581,1720, 1729,1733,1781,1782, 1785,1910,1914,1917, 1918,1940,1943,1956, 1975,1982,2001,2003, 2006,2010,2013,2017, 2023,2026,2029,2031, 2032,2035,2036,2043,
240	298090S	Filter-Fuel	300A	494343S	Muffler (Square Lo Tone)			791291 Housing-Blower Used on Type No(s). 2047.
259	691223	Bracket-Casing Clamp	300B	497681	Muffler (Catalyst)			790983 Housing-Blower Used on Type No(s). 2058.
265	690798	Clamp-Casing	304	493293	Housing-Blower ----- Note ----- 493294 Housing-Blower Used on Type No(s). 0645,0653,0817,0837, 0841,0842,0843,0847, 0859,0862,0869,0875, 0879,0882,0883,0905, 0906,0908,0910,0917, 0919,1160,1161,1162, 1167,1175,1176,1177, 1178,1181,1182,1186, 1187,1189,1191,1192, 1198,1199,1312,1314, 1328,1329,1360,1379, 1524,1558,1559,1560, 1562,1568,1570,1571, 1573,1580,1581,1720, 1729,1733,1781,1782, 1785,1910,1914,1917, 1918,1940,1943,1956, 1975,1982,2001,2003, 2006,2010,2013,2017, 2023,2026,2029,2031, 2032,2035,2036,2043,			791291 Housing-Blower Used on Type No(s). 2047.
265A	691024	Clamp-Casing						790983 Housing-Blower Used on Type No(s). 2058.
267	691044	Screw (Casing Clamp)						790826 Housing-Blower Used on Type No(s). 1970,2059.

★ Included in Engine Gasket Set-Ref. No.358.

● Included in Carburetor Overhaul Kit-Ref. No. 121.

◆ Included in Carburetor Gasket Set-Ref. No. 977.

⊗ Included in Valve Gasket Set-Ref. No 1095.

Illustrations cover a range of engines. Parts shown without corresponding text may not be used on your specific engine.

REF. NO.	PART NO.	DESCRIPTION	REF. NO.	PART NO.	DESCRIPTION	REF. NO.	PART NO.	DESCRIPTION
305	691108	Screw (Blower Housing)	337	802592S	Plug-Spark (Resistor)	505	691251	Nut (Governor Control Lever)
306	690450	Shield-Cylinder			----- Note -----	507	691972	Insulator
306A	790836	Shield-Cylinder			697451 Plug-Spark (EMS)	510	795093	Drive-Starter
307	690345	Screw (Cylinder Shield)	346	690661	Screw (Spark Arrestor)	513	692358	Clutch-Drive
309	695550	Motor-Starter (Used Before Code Date 07052900).	347	691396	Switch-Rocker	520	691084	Terminal-Ground
309A	795092	Motor-Starter (Used After Code Date 07052800).	356	692390	Wire-Stop	523	499621	Dipstick
310	692327	Bolt (Starter Motor)	356A	690650	Wire-Stop	524	★692296	Seal-Dipstick Tube
332	690662	Nut (Flywheel)	356B	693010	Wire-Stop	525	495265	Tube-Dipstick
333	802574	Armature-Magneto ----- Note ----- 790817 Armature- Magneto Used on Type No(s). 1931, 2062.	356C	690808	Wire-Stop	529	691923	Grommet
333A	792640	Armature-Magneto (Screw On Spark Plug Boot) ----- Note ----- 793353 Armature- Magneto (Snap In Spark Plug Boot) 792631 Armature- Magneto (Screw On Spark Plug Boot) Used on Type No(s). 1931. 793354 Armature- Magneto (Snap In Spark Plug Boot) Used on Type No(s). 1931.	356D	496381	Wire-Stop	544	690786	Armature-Starter
334	691061	Screw (Magneto Armature)	358	497316	Gasket Set-Engine	545	492919	Washer Set (Starter Motor)
			359	691077	Washer (Ground Terminal)	562	92613	Bolt (Governor Control Lever)
			363	19069	Pulley-Flywheel	564	690664	Screw (Control Cover)
			365	691688	Screw (Carburetor)	564A	691142	Screw (Control Cover)
			373	691612	Nut (Ground Terminal)	564B	698589	Screw (Control Cover)
			374	691074	Washer (Camshaft)	578	398153	Wire Assembly
			377	692193	Key-Woodruff	584	697734	Cover-Breather Passage
			383	89838S	Wrench-Spark Plug	585	★691879	Gasket-Breather Passage
			404	690272	Washer (Governor Crank)	592	690800	Nut (Rewind Starter)
			425A	690670	Screw (Air Cleaner Cover)	597	691696	Screw (Pawl Friction Plate)
			443A	692523	Screw (Air Cleaner Primer Base)	601	791850	Clamp-Hose
			445A	491588S	Filter-Air Cleaner Cartridge	601A	691038	Clamp-Hose
			455	791960	Cup-Flywheel	604	691757	Cover-Control
			456	692299	Plate-Pawl Friction	604A	691344	Cover-Control
			456A	224321	Plate-Pawl Friction	604B	790703	Cover-Control
			459	281505S	Pawl-Ratchet	604D	793770	Cover-Control
			459A	492833	Pawl-Ratchet	608	497680	Starter-Rewind ----- Note -----
			467	790842	Knob-Air Cleaner			791363 Starter- Rewind Used on Type No(s). 1969.
			474	691991	Alternator	608A	497598	Starter-Rewind
			497	690664	Screw (Stopswitch Bracket)			
			500	691086	Washer (Key Switch)			

★ Included in Engine Gasket Set-Ref. No.358.

● Included in Carburetor Overhaul Kit-Ref. No. 121.

◆ Included in Carburetor Gasket Set-Ref. No. 977.

⊘ Included in Valve Gasket Set-Ref. No 1095.

Illustrations cover a range of engines. Parts shown without corresponding text may not be used on your specific engine.

12F800

REF. NO.	PART NO.	DESCRIPTION	REF. NO.	PART NO.	DESCRIPTION	REF. NO.	PART NO.	DESCRIPTION
613	691340	Screw (Muffler) ----- Note ----- 790833 Screw (Muffler) Used on Type No(s). 1970, 2047, 2058, 2059.	676	396548	Deflector-Muffler (Louvered)	742	93941	Retainer-E Ring
613A	691653	Screw (Muffler)	676A	393756	Deflector-Muffler (Side Out) (Shallow)	743	691772	Gear-Drive (Counterclockwise) ----- Note -----
613B	691114	Screw (Muffler)	676B	397931	Deflector-Muffler (Direct Out)	690516		Gear-Drive (Clockwise) Used on Type No(s). 0860, 2950.
615	690340	Retainer-Governor Shaft	676C	493871	Deflector-Muffler (Side Out) (Extended) (Horseshoe)	745	691648	Screw (Brake)
616	698801	Crank-Governor	676D	497682	Deflector-Muffler (For TUV)	776	396526	Guide-Rope
617★◆270344		Seal-O Ring (Intake Manifold)	677	690661	Screw (Muffler Deflector)	783	691918	Gear-Pinion (Starter)
621	692310	Switch-Stop	678	224278	Spacer-Rewind	783A	691269	Gear-Pinion
627	692872	Bracket-Stopswitch ----- Note ----- 792565 Bracket-Stopswitch Used on Type No(s). 3134.	684	690345	Screw (Breather Passage Cover)	784	795095	Cover-Starter Gear
633 ◆◆691321		Seal-Choke/Throttle Shaft	689	691855	Spring-Friction	785	692352	Gasket-Starter Cover
633A ◆◆693867		Seal-Choke/Throttle Shaft	689A	262625	Spring-Friction (Rewind Starter)	789	696546	Harness-Wiring (Used After Code Date 00040600). ----- Note -----
635	66538S	Boot-Spark Plug	692	690572	Spring-Detent	789A	695552	Harness-Wiring (Used After Code Date 00040600). ----- Note -----
635A	792597	Boot-Spark Plug (Screw On Style) ----- Note ----- 793351 Boot-Spark Plug (Snap On Style)	697	691127	Screw (Drive Cap)	691372		Harness-Wiring (Used Before Code Date 00040700).
651	691660	Screw (Starter Gear Cover)	715	691147	Screw (Shaft Stop)	789B	494544	Harness-Wiring ----- Note ----- 696547 Harness-Wiring
664	691087	Nut (Key Switch)	718	690959	Pin-Locating			Used on Type No(s). 0644, 0654, 0918, 1209, 1210, 1212, 1213, 1324, 1327, 1719, 1735, 1787, 1792, 1903, 1924, 1930, 1934, 1936, 1944, 1950, 1951, 1962, 1963, 1974, 2005, 2054, 2058, 2377, 2414, 2614, 3127, 3132, 3510.
668	★493823	Spacer	721	690449	Stop-Shaft			
670	692294	Spacer-Fuel Tank	741	797521	Gear-Timing (Metal) (Used After Code Date 08021700). ----- Note ----- 795755 Gear-Timing (Plastic) (Used After Code Date 08021700). 794388 Gear-Timing (Use Without Woodruff Key) (Used After Code Date 07093000 and Before Code Date 08021800). 790345 Gear-Timing (Use Without Woodruff Key) (Used Before Code Date 07100100). 691830 Gear-Timing (Uses Woodruff Key)			

★ Included in Engine Gasket Set-Ref. No.358.

● Included in Carburetor Overhaul Kit-Ref. No. 121.

◆ Included in Carburetor Gasket Set-Ref. No. 977.

⊙ Included in Valve Gasket Set-Ref. No 1095.

Illustrations cover a range of engines. Parts shown without corresponding text may not be used on your specific engine.

REF. NO.	PART NO.	DESCRIPTION	REF. NO.	PART NO.	DESCRIPTION	REF. NO.	PART NO.	DESCRIPTION
801	690782	Cap-Drive	871	262001	Bushing-Valve Guide (Exhaust)	923	691994	Brake
802	695267	Cap-End (Used After Code Date 00040600).						----- Note -----
		----- Note -----						691994 Brake
		695975 Cap-End (Used Before Code Date 00040700).			63709 Bushing-Valve Guide (Intake)			(Used Before Code Date 06081400).
803	695266	Housing-Starter (Used After Code Date 00040600).	883	★∅691881	Gasket-Exhaust			Used on Type No(s). 1734, 1959, 1987, 2045, 2055, 2057, 2059, 2060, 2380.
		----- Note -----	892	690646	Switch-Key	923A	695891	Brake
		695975 Housing-Starter (Used Before Code Date 00040700).	910	691094	Stud (Alternator)			----- Note -----
832	499034	Guard-Muffler	921	497233	Cover-Blower Housing			695891 Brake
832A	691424	Guard-Muffler	921A	695886	Cover-Blower Housing			(Used After Code Date 06081300 and Before Code Date 08050100).
832B	497683	Guard-Muffler	921B	692931	Cover-Blower Housing (Black)			Used on Type No(s). 1734, 1959, 1987, 2045, 2055, 2057, 2059, 2060, 2380.
836	690664	Screw (Muffler Guard)						695891 Brake
836A	690661	Screw (Muffler Guard)	921C	695889	Cover-Blower Housing			(Used Before Code Date 08050100).
836B	691147	Screw (Muffler Guard)	921E	696262	Cover-Blower Housing			Used on Type No(s). 1220, 1221, 1700, 1721, 1722, 1723, 1737, 1783, 1788, 1791, 1793, 1904, 1908, 1931, 1932, 1946, 1947, 1949, 1952, 1960, 1961, 1965, 1968, 1969, 1970, 1971, 1973, 2041, 2308, 2411, 2628, 3135, 3165, 3136.
842	★691031	Seal-O Ring (Dipstick Tube)	921F	697343	Cover-Blower Housing			
843	691884	Sleeve-Lever (Speed Control)	921G	790701	Cover-Blower Housing			
843A	691895	Sleeve-Lever (Choke)	921H	790037	Cover-Blower Housing			
847	692047	Dipstick/Tube Assembly	921L	791026	Cover-Blower Housing			
851	493880S	Terminal-Spark Plug	921N	792675	Cover-Blower Housing			
851A	692424	Terminal-Spark Plug	921R	793771	Cover-Blower Housing			
853	695268	Adapter-Wire	922	691831	Spring-Brake			
		----- Note -----	922A	692135	Spring-Brake			
		698471 Adapter-Wire Used on Type No(s). 3129, 3130.				923B	796136	Brake
868	697338	Seal-Valve						(Used After Code Date 08043000).
869	691155	Seat-Valve (Intake)						Used on Type No(s). 1220, 1221, 1700, 1721, 1722, 1723, 1737, 1783, 1788, 1791, 1793, 1904, 1908, 1931, 1932, 1946, 1947, 1949, 1952, 1960, 1961, 1965, 1968, 1969, 1970, 1971, 1973, 2041, 2308, 2411, 2628, 3135, 3165, 3136.
870	690380	Seat-Valve (Exhaust)						

★ Included in Engine Gasket Set-Ref. No.358.
● Included in Carburetor Overhaul Kit-Ref. No. 121.

◆ Included in Carburetor Gasket Set-Ref. No. 977.
∅ Included in Valve Gasket Set-Ref. No 1095.

Illustrations cover a range of engines. Parts shown without corresponding text may not be used on your specific engine.

12F800

REF. NO.	PART NO.	DESCRIPTION	REF. NO.	PART NO.	DESCRIPTION	REF. NO.	PART NO.	DESCRIPTION
925	795403	Cover-Linkage (Used After Code Date 07072200). ----- Note ----- 690595 Cover-Linkage (Used Before Code Date 07072300).	972B	699374	Tank-Fuel (Plastic) ----- Note ----- 699387 Tank-Fuel (Plastic) Used on Type No(s). 1717, 1925, 1958, 2027, 2038, 2044, 2046, 2327, 2329, 2611, 2612, 2613, 2685, 2687, 3186, 3322, 3324.	1095	498528	Gasket Set-Valve
930	691919	Guard-Rewind (Round)	975	493640	Bowl-Float	1102	691255	Pilot-Guide
930A	691345	Guard-Rewind (Tear Drop)	976	694395	Primer-Carburetor	1119	691648	Screw (Alternator)
930C	690598	Guard-Rewind (Trim Ring)	977	498261	Gasket Set-Carburetor	1134	224322	Washer (Pawl Friction Plate)
935	499421	Switch-Interlock	990	691959	Key Set	1160	690345	Screw (Interlock Switch)
937	691325	Spline-Starter	990A	695951	Key Set	1210	498144	Pulley/Spring Assembly (Pulley)
940	691004	Screw (Casing Clamp Bracket)	994	398067	Arrestor-Spark	1211	498144	Pulley/Spring Assembly (Spring)
946	691738	Stop-Rope	994A	692957	Arrestor-Spark	1236	695959	Starter-Mechanical (Touch N Mow) (Do Not Service Individual Parts, Only As A Whole)
957	397974S	Cap-Fuel Tank (Plastic)	1005	691346	Fan-Flywheel			----- Note ----- 699914 Starter- Mechanical (Touch N Mow) (Do Not Service Individual Parts, Only As A Whole) Used on Type No(s). 1958, 2685.
957B	699985	Cap-Fuel Tank (Plastic)	1009	696255	Screw (Starter Motor)	1319	794467	Label-Warning
958	698183	Valve-Fuel Shut Off (Plastic)	1019	494256	Kit-Label ----- Note ----- 790231 Kit-Label (Touch N Mow)	1330	270962	Manual-Repair
966A	496116	Base-Air Cleaner Primer	1036		Label-Emissions (Available From A Briggs & Statton Authorized Dealer)	1386	790848	Vane-Air (Autochoke System)
966B	792040	Base-Air Cleaner Primer	1058	277039	Operator's Manual ----- Note ----- 277101 Operator's Manual (Touch N Mow)	1387	790849	Spring-Air Vane
967A	493537S	Filter-Pre Cleaner	1059	692311	Kit-Screw/Washer ----- Note ----- 696293 Kit-Screw/ Washer (Touch N Mow)	1388	790850	Screw (Air Vane) (Autochoke System)
968B	692298	Cover-Air Cleaner						
969	690700	Screw (Blower Housing Cover)						
969A	691138	Screw (Blower Housing Cover)						
970	691669	Screw (Air Cleaner Primer Bracket)						

★ Included in Engine Gasket Set-Ref. No.358.

● Included in Carburetor Overhaul Kit-Ref. No. 121.

◆ Included in Carburetor Gasket Set-Ref. No. 977.

⊗ Included in Valve Gasket Set-Ref. No 1095.

Illustrations cover a range of engines. Parts shown without corresponding text may not be used on your specific engine.

Not for
Reproduction

Not for
Reproduction

Not for
Reproduction

Not for
Reproduction

