



# Parts Manual

Mfg. No: 123K12-0134-E1



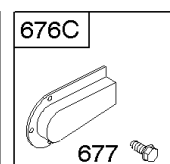
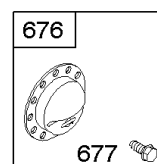
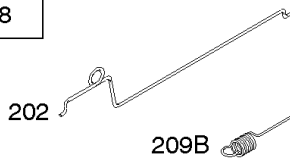
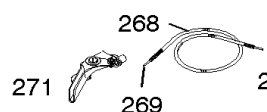
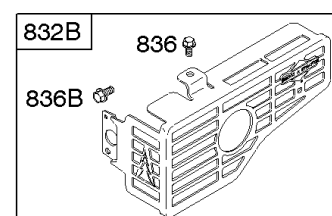
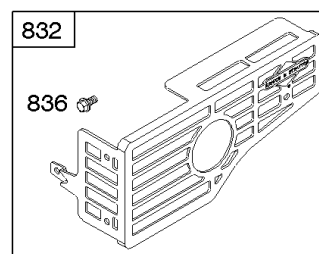
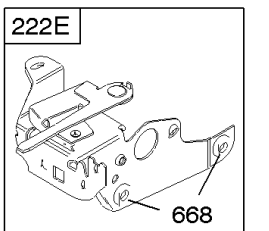
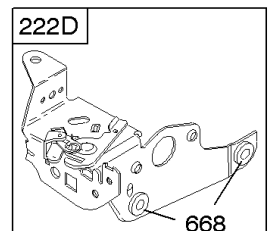
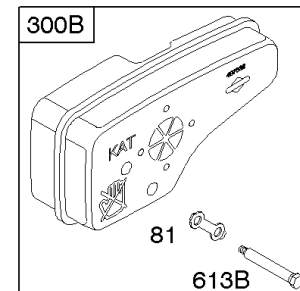
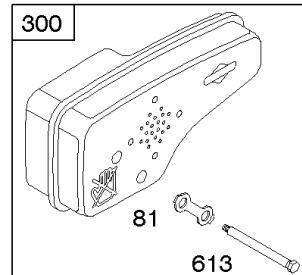
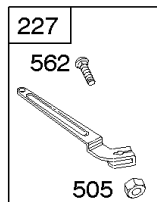
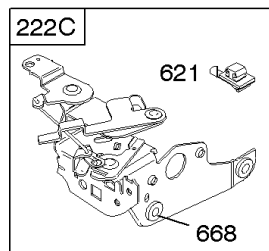
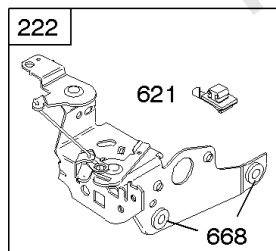
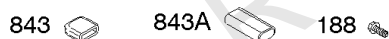
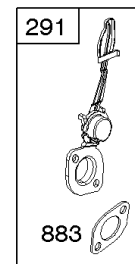
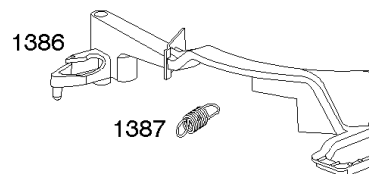
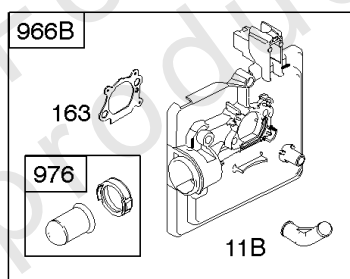
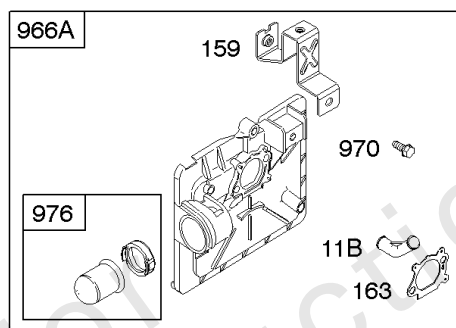
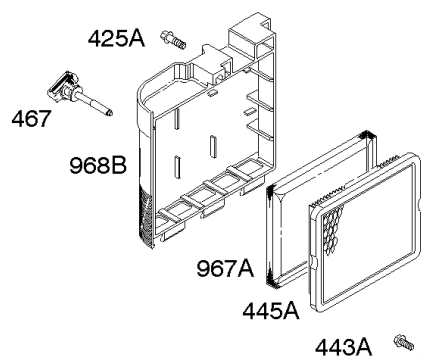
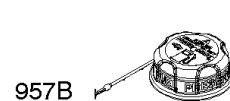
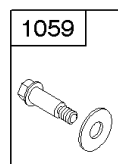
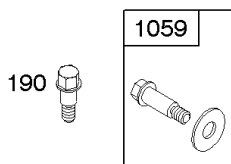
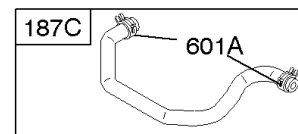
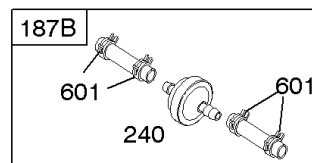
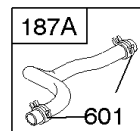
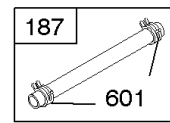
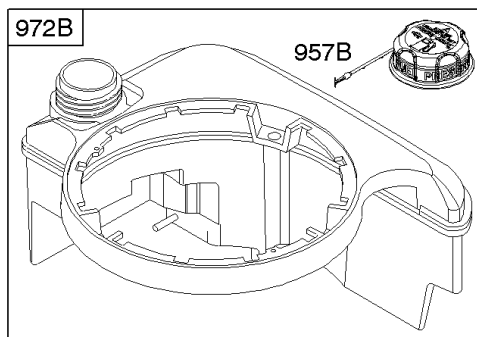
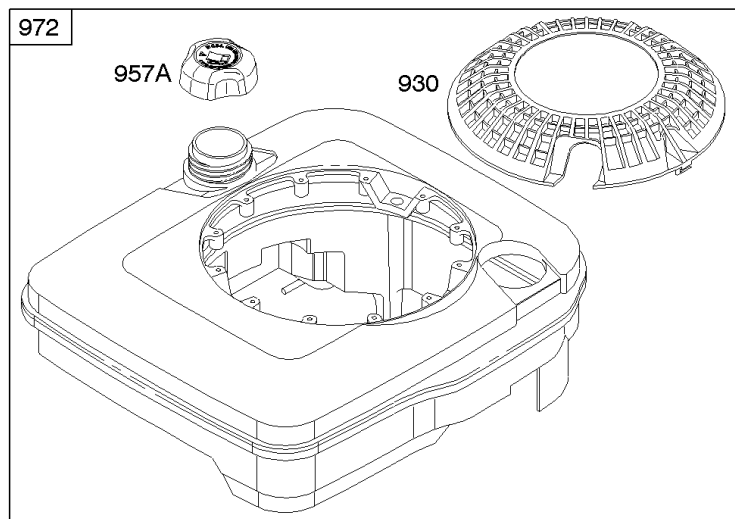
---

<b>Model Components</b>	<b>Page</b>
Air Cleaner, Controls, Exhaust System, Fuel Supply, Governor Spring. ....	4
Alternator, Electric Starter, Electrical, Flywheel, Flywheel Brake, Ignition, Rewind Starter. ....	8
Blower Housing/Shrouds. ....	12
Camshaft, Crankshaft, Cylinder, Engine Sump, Kit/Gasket, Lubrication, Piston Group, Valves. ....	14
Carburetor. ....	22
Replacement Engine. ....	24

Not For  
Reproduction

# Air Cleaner, Controls, Exhaust System, Fuel Supply, Governor Spring

Mfg. No: 123K12-0134-E1

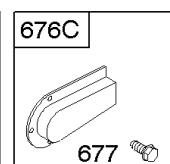
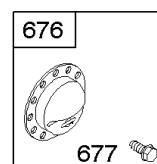
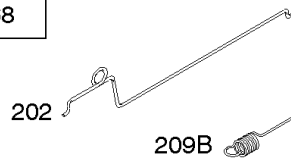
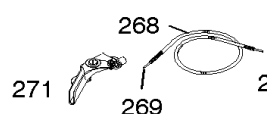
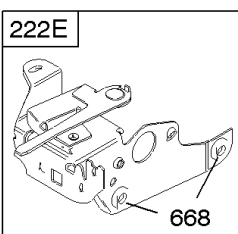
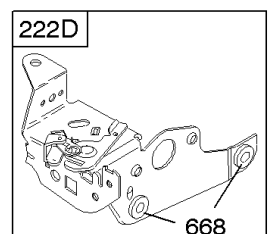
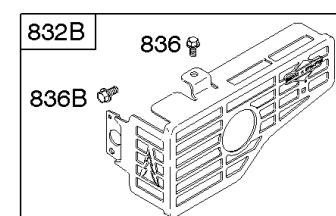
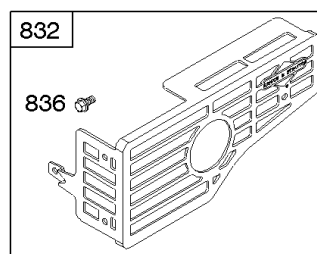
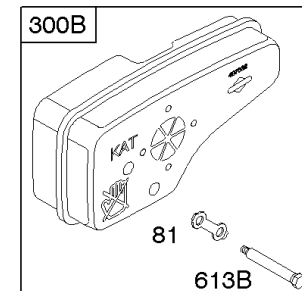
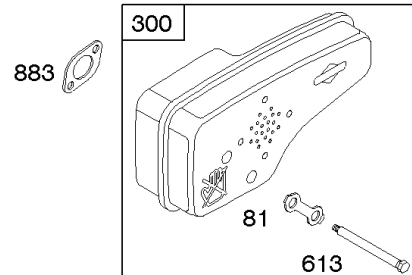
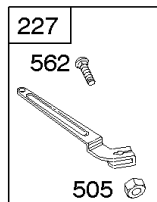
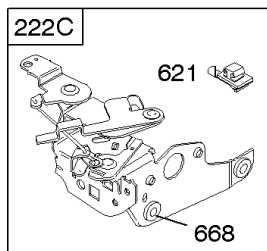
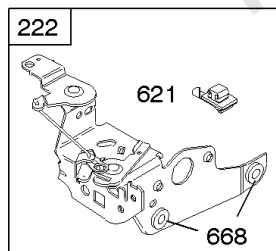
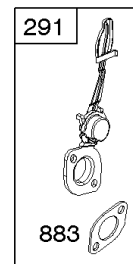
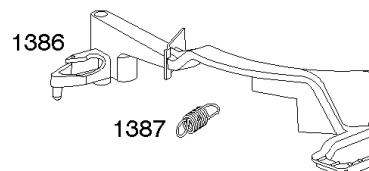
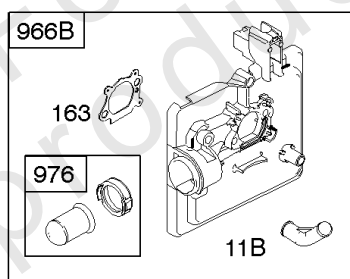
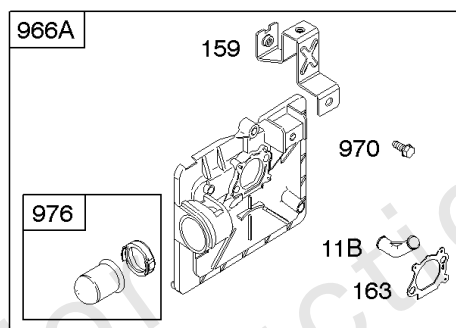
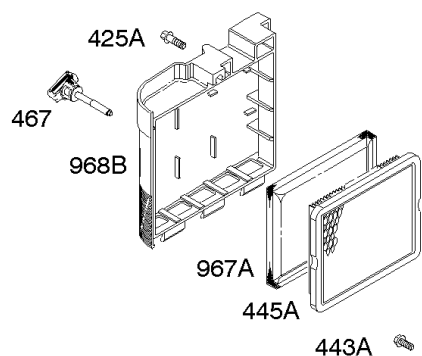
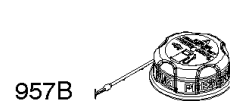
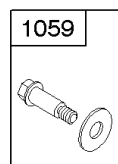
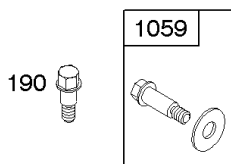
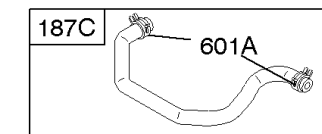
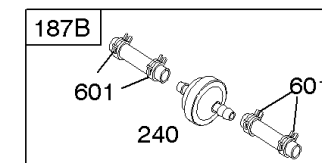
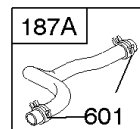
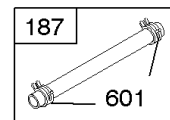
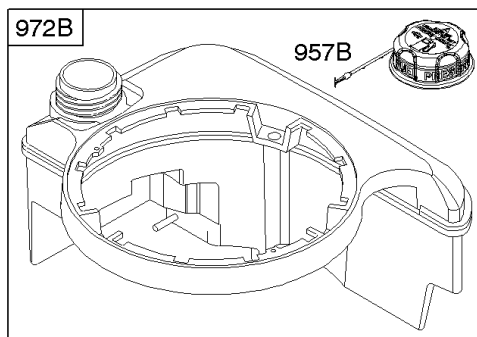
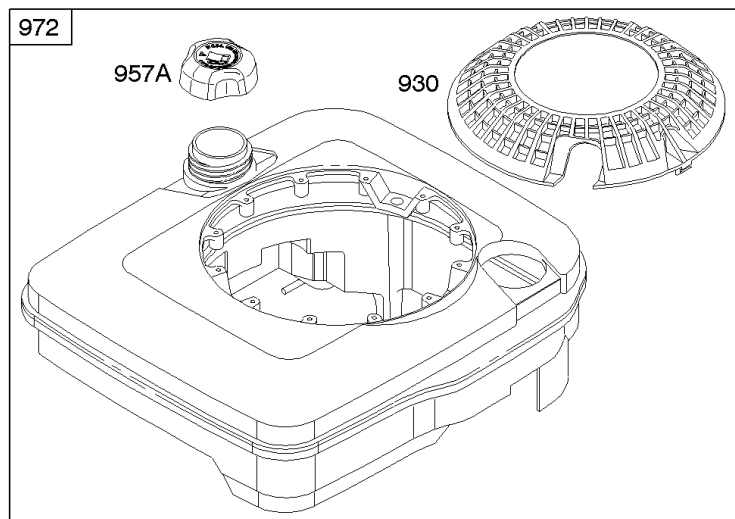


## Air Cleaner, Controls, Exhaust System, Fuel Supply, Governor Spring

REF NO	PART NO	QTY	DESCRIPTION
11B	691923		Tube-Breather
81	691740		Lock-Muffler Screw
159	691753		Bracket-Air Cleaner Primer
163	272653S		Gasket-Air Cleaner
187	791766		LINE, Fuel -(Cut To Required Length)
187A	791873		Line-Fuel -(Molded)
187B	791891		Line-Fuel -(Includes Filter)
187C	791875		Line-Fuel -(Molded)
188	693399		Screw -(Control Bracket)
190	690940		SCREW -(Fuel Tank)
202	691829		Link-Mechanical Governor
209B	691290		Spring-Governor
222	790143		Bracket-Control -(Remote/Manual Friction)(Primer)
222C	692150		Bracket-Control -(Variable Speed)(5 Position Manual Choke)
222D	692467		Bracket-Control -(Fixed Speed)
222E	692982		Bracket-Control -(Manual Friction, 5 Position Manual Choke)
227	690783		Lever-Governor Control
240	298090S		Filter-Fuel
265	690798		Clamp-Casing
267	691044		SCREW -(Casing Clamp)
268	691025		CASING, Control Wire -(Cut To Required Length)
269	691026		WIRE, Control -(Cut To Required Length)
270	691027		NUT -(Control Wire Casing)
271	691028		Lever-Control
291	790830		Thermostat
300	692038		Muffler
300B	694048		Muffler -(Super Lo Tone Catalyst)
404	690272		WASHER -(Governor Crank)
425A	690670		Screw -(Air Cleaner Cover)
443A	692523		Screw -(Air Cleaner Primer Base)
445A	491588S		FILTER, A/C Cartridge
467	790842		Knob-Air Cleaner Cover
505	691251		NUT -(Governor Control Lever)
562	92613		Bolt -(Governor Control Lever)
601	791850		CLAMP, Hose
601A	691038		CLAMP, Hose
613	691340		Screw -(Muffler)

# Air Cleaner, Controls, Exhaust System, Fuel Supply, Governor Spring

Mfg. No: 123K12-0134-E1

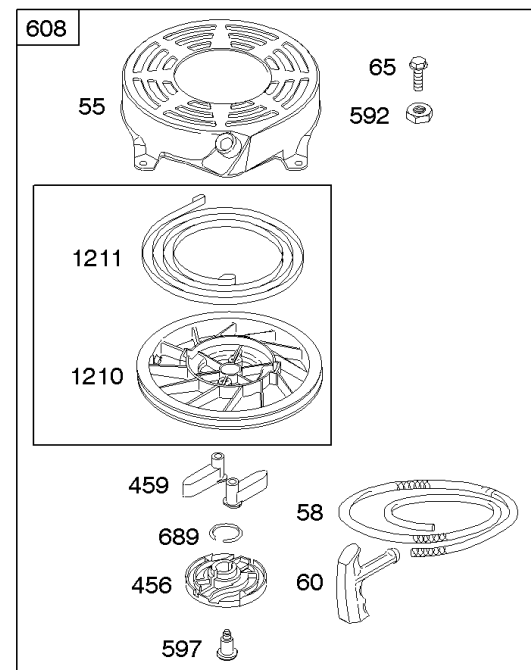
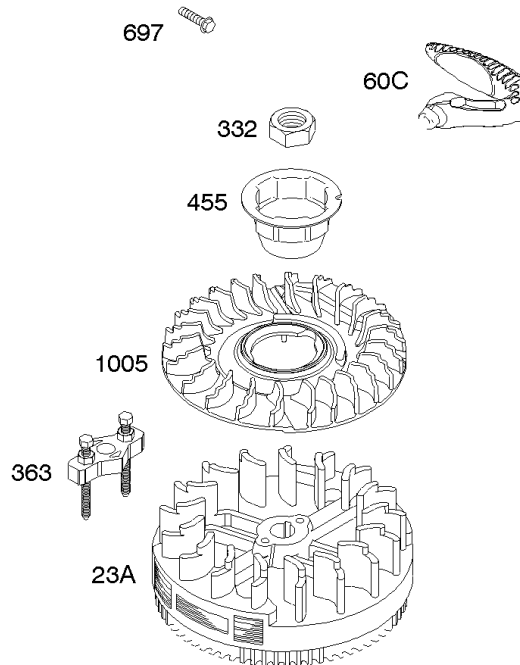
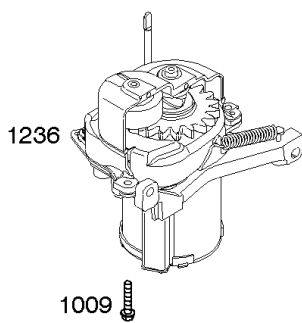
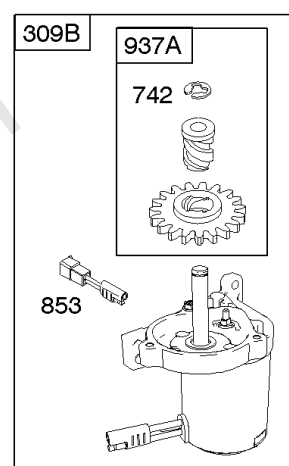
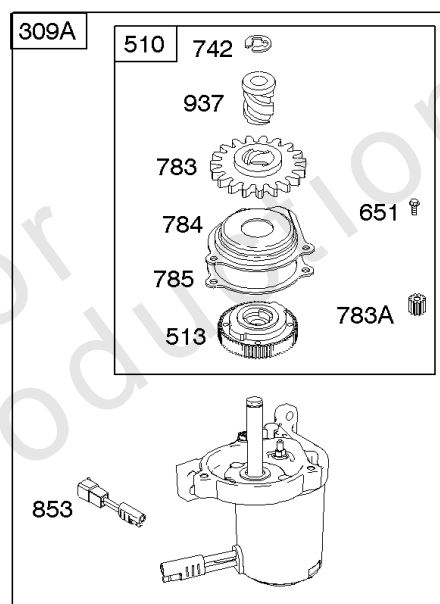
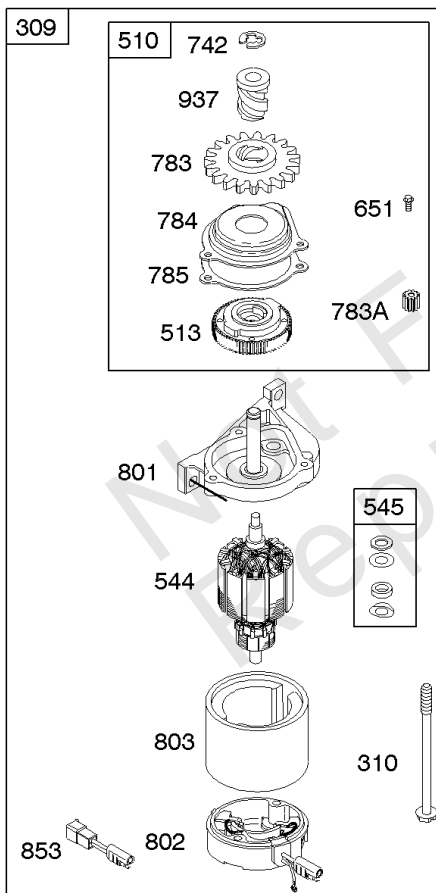
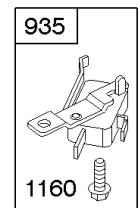
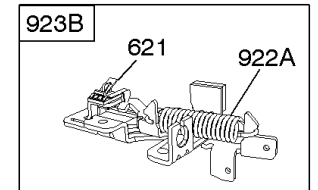
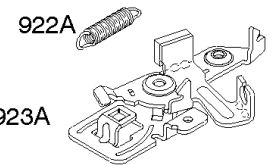
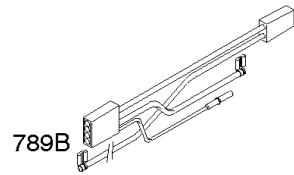
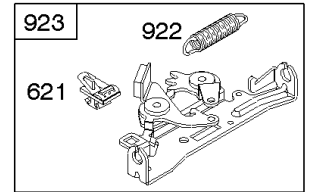
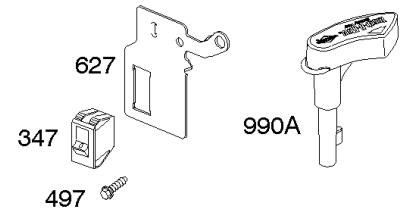
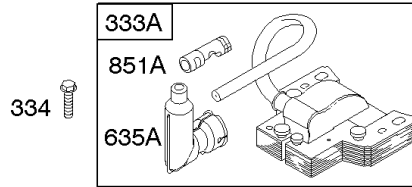
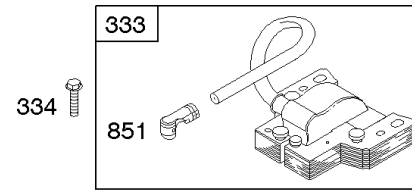
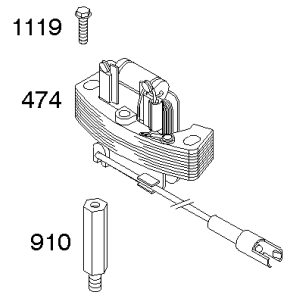
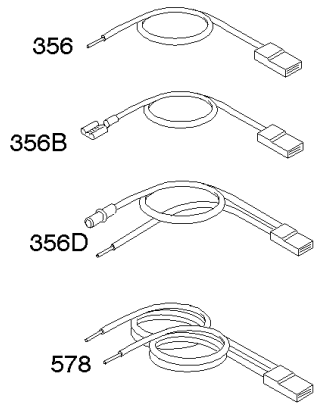


## Air Cleaner, Controls, Exhaust System, Fuel Supply, Governor Spring

REF NO	PART NO	QTY	DESCRIPTION
613B	691114		Screw -(Muffler)
615	690340		RETAINER, Governor Shaft
616	698801		Crank-Governor
621	692310		Switch-Stop
668	493823		Spacer
670	692294		Spacer-Fuel Tank
676	396548		Deflector-Muffler -(Louvered)
676C	493871		Deflector-Muffler -(Side Out)(Extended)
677	690661		SCREW -(Muffler Deflector)
832	590486		Guard-Muffler -Used After Code Date 11063000
832	499034		Guard-Muffler -Used Before Code Date 11070100
832B	497683		Guard-Muffler -(Used With Super Lo Tone Catalyst Muffler)
836	690664		Screw -(Muffler Guard)
836B	691147		Screw -(Muffler Guard)
843	691884		Sleeve-Lever -(Control Bracket)
843A	691895		Sleeve-Lever -(Choke)
883	691881		Gasket-Exhaust
930	691919		Guard-Rewind -(Round)
957A	692046		Cap-Fuel Tank -(Plastic)
957B	699985		Cap-Fuel Tank -(Plastic)
966A	496116		Base-A/C Primer
966B	792040		Base-A/C Primer
967A	493537S		Filter-Pre Cleaner
968B	692298		Cover-Air Cleaner
970	691669		Screw -(Air Cleaner Primer Bracket)
972	699392		Tank-Fuel -(Plastic)
972B	699374		Tank-Fuel -(Plastic)
976	694395		Primer-Carburetor
1059	692311		Kit-Screw/Washer
1059	696293		Kit-Screw/Washer -(Touch N Mow)
1386	790848		Vane-Air -(Autochoke System)
1387	790849		Spring-Air Vane
1388	790850		Screw -(Air Vane) (Auto Choke System)

# Alternator, Electric Starter, Electrical, Flywheel, Flywheel Brake, Ignition, Rewind Starter

Mfg. No: 123K12-0134-E1



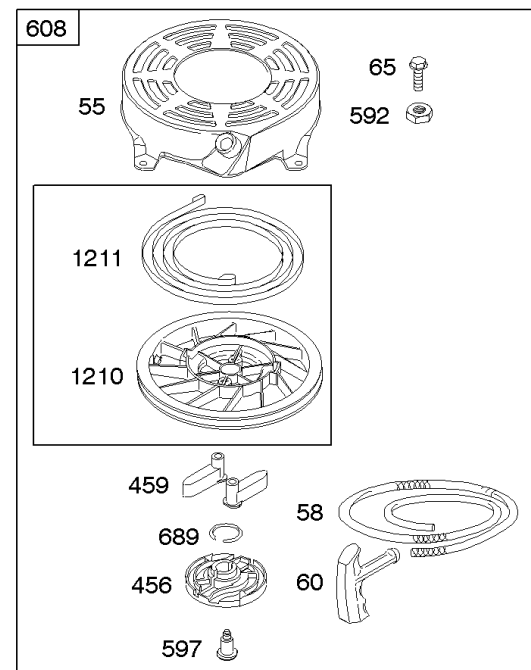
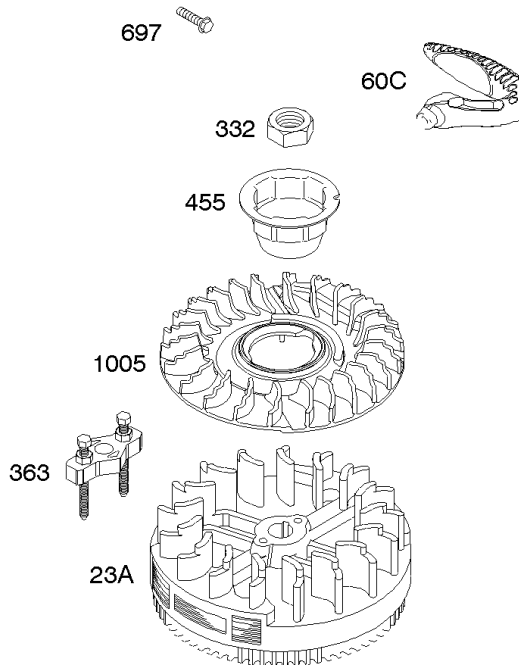
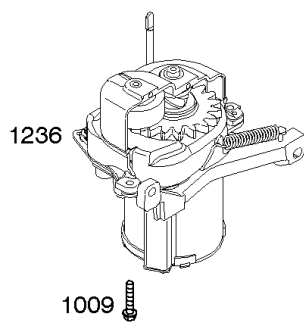
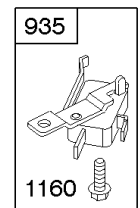
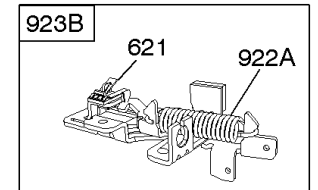
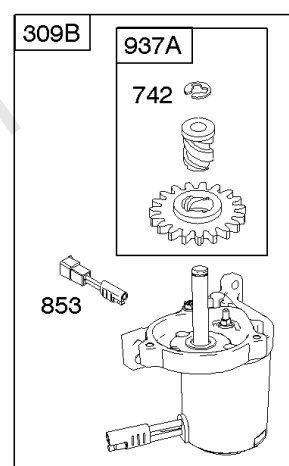
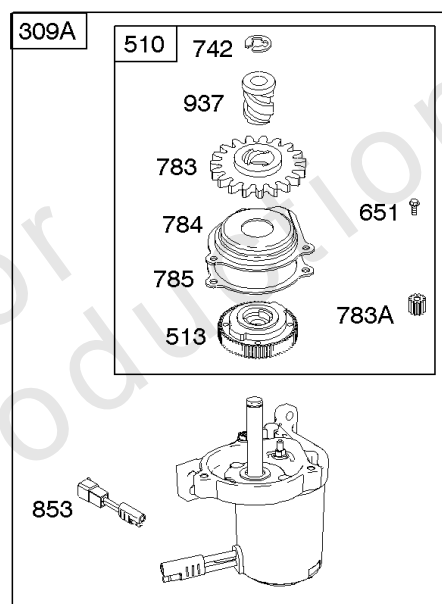
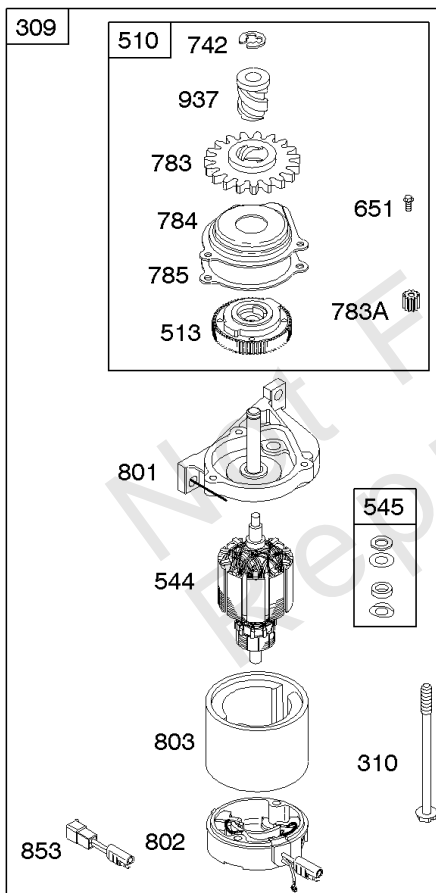
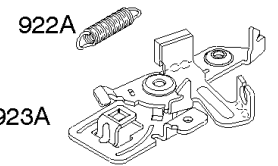
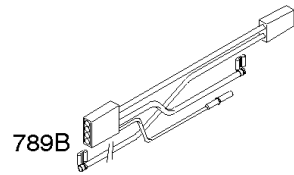
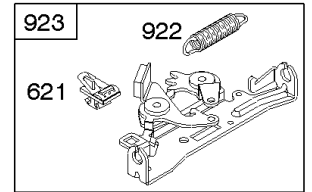
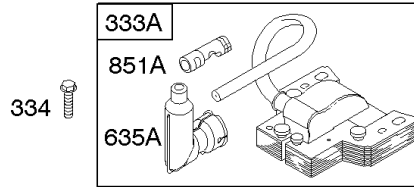
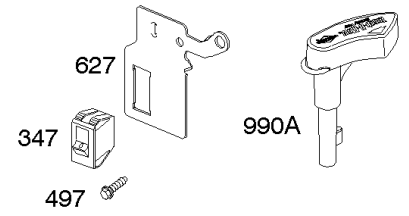
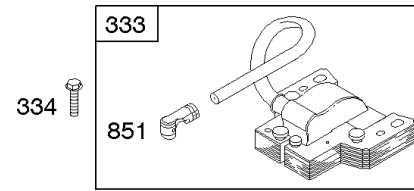
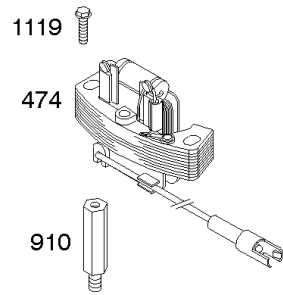
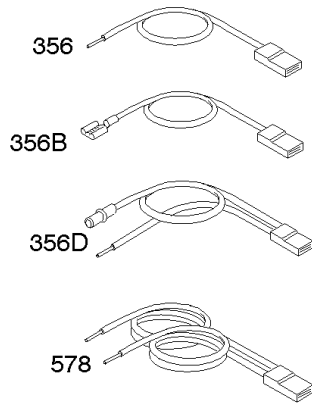


## Alternator, Electric Starter, Electrical, Flywheel, Flywheel Brake, Ignition, Rewind Starter

REF NO	PART NO	QTY	DESCRIPTION
23A	691992		Flywheel
55	691421		Housing-Rewind Starter
58	697316		Rope-Starter -(Cut To Required Length)
60	281434S		Grip-Starter Rope
60C	799716		Grip-Starter Rope
65	690837		Screw -(Rewind Starter)
236	691826		Link-Lockout
309	695550		Motor-Starter -Used Before Code Date 07052900
309A	795092		Motor-Starter -Used After Code Date 07052800 -Used Before Code Date 10112800
309B	799045		Motor-Starter -Used After Code Date 10112700
310	692327		Screw -(Starter Motor)
332	690662		Nut -(Flywheel)
333	802574		Armature-Magneto
333A	793353		Armature-Magneto
334	691061		SCREW -(Magneto Armature)
347	691396		Switch-Rocker
356	692390		Wire-Stop
356B	693010		Wire-Stop
356D	496381		Wire-Stop
363	19069		Puller-Flywheel
455	791960		Cup-Flywheel
456	692299		Plate-Pawl Friction
459	281505S		PAWL, Ratchet
474	691991		Alternator
497	690664		Screw -(Stopswitch Bracket)
510	795093		Drive-Starter
513	692358		Clutch-Drive
544	690786		Armature-Starter
545	492919		Washer Set -(Starter Motor)
578	398153		Wire Assembly
592	690800		Nut -(Rewind Starter)
597	691696		Screw -(Pawl Friction Plate)
608	497680		Starter-Rewind
621	692310		Switch-Stop
627	692872		Bracket-Stopswitch
635A	793351		Boot-Spark Plug
651	691660		Screw -(Starter Gear Cover)
689	691855		SPRING, Friction
697	691127		SCREW -(Drive Cap)
742	93941		RETAINER, E Ring

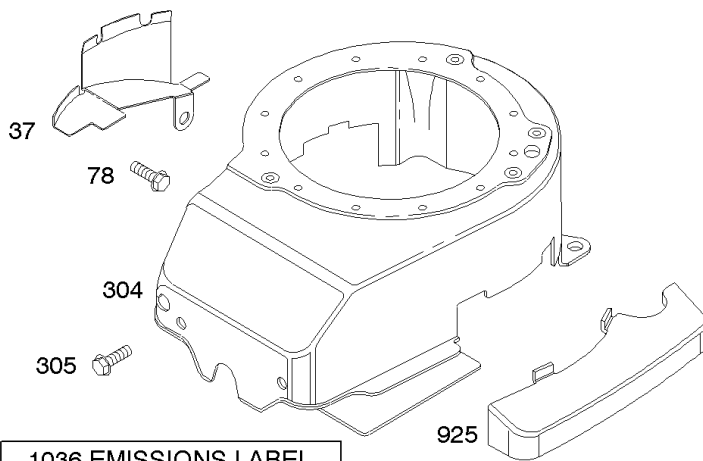
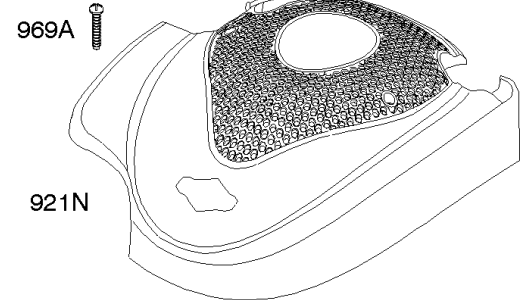
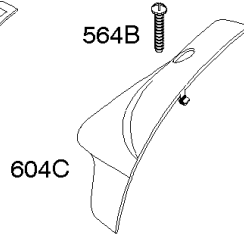
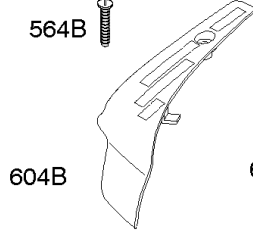
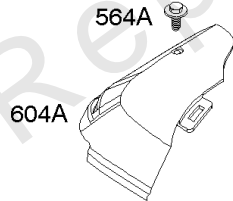
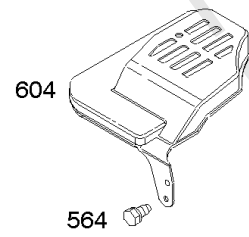
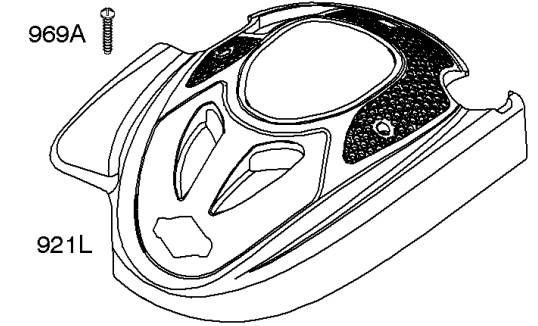
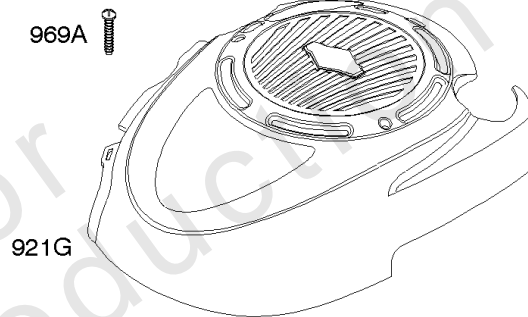
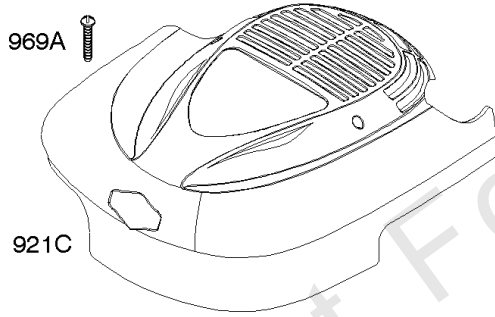
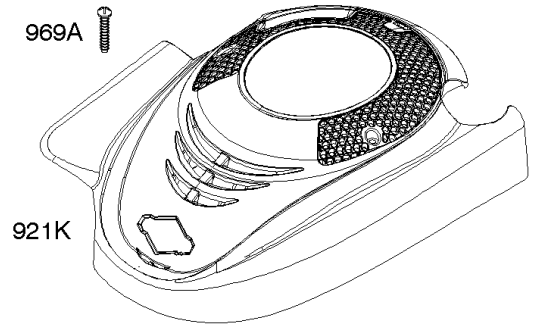
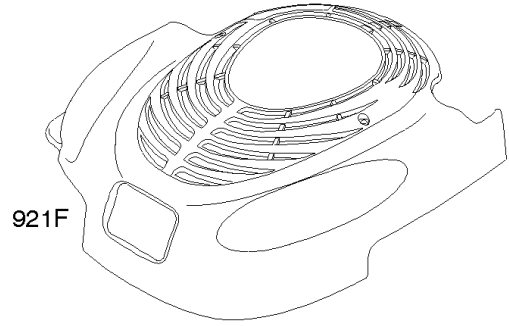
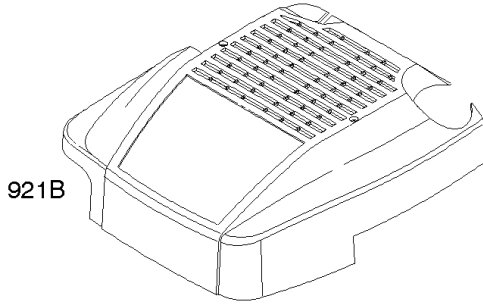
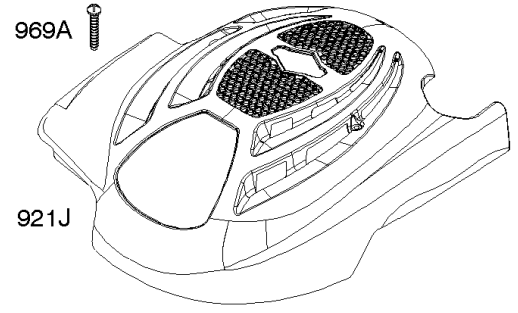
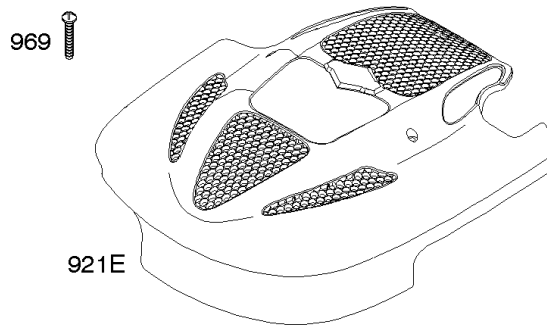
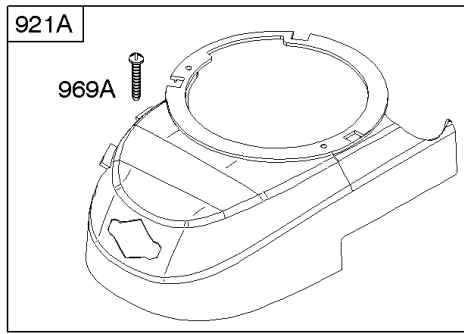
# Alternator, Electric Starter, Electrical, Flywheel, Flywheel Brake, Ignition, Rewind Starter

Mfg. No: 123K12-0134-E1

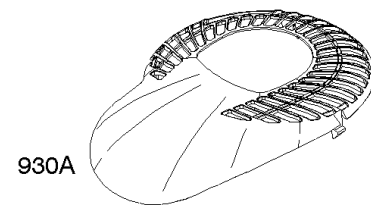
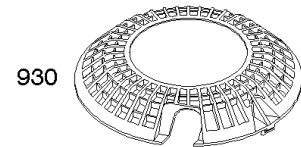


## ***Alternator, Electric Starter, Electrical, Flywheel, Flywheel Brake, Ignition, Rewind Starter***

<b>REF NO</b>	<b>PART NO</b>	<b>QTY</b>	<b>DESCRIPTION</b>
745	691648		Screw -(Brake)
783	691918		Gear-Pinion
783A	691269		Gear-Pinion
784	795095		Cover-Starter Gear
785	692352		Gasket-Starter Cover
789B	696547		Harness-Wiring
801	690782		Cap-Drive
802	695267		Cap-End
803	695266		Housing-Starter
851	493880S		TERMINAL, Spark Plug
851A	692424		Terminal-Spark Plug
853	695268		Adapter-Wire
910	691094		Stud -(Alternator)
922	691831		Spring-Brake
923	796387		Brake -Used After Code Date 08043000
923A	695891		Brake
935	499421		Switch-Interlock -Used Before Code Date 08050100
937	691325		Spline-Starter
937A	799420		Spline-Starter
990A	695951		Key Set
1005	691346		Fan-Flywheel
1009	696255		Screw -(Starter Motor)
1119	692979		Screw -(Alternator)
1160	690345		Screw -(Interlock Switch)
1210	498144		Pulley/Spring Assembly -(Pulley) (Pulley)
1211	498144		Pulley/Spring Assembly -(Spring) (Spring)
1236	695959		Starter-Mechanical -(Touch N Mow)(Do Not Service Individual Parts, Only As A Whole)



1036 EMISSIONS LABEL



## Blower Housing/Shrouds

REF NO	PART NO	QTY	DESCRIPTION
37	694086		Guard-Flywheel
78	691108		SCREW -(Flywheel Guard)
304	493293		Housing-Blower
304	493294		Housing-Blower
305	691108		SCREW -(Blower Housing)
564	690664		Screw -(Control Cover)
564A	691142		Screw -(Control Cover)
564B	698589		Screw -(Control Cover)
604	691757		Cover-Control
604A	691344		Cover-Control
604B	790703		Cover-Control
604C	792418		Cover-Control
921A	695886		Cover-Blower Housing -(Black)
921B	692931		Cover-Blower Housing
921N	792675		Cover-Blower Housing
921C	695889		Cover-Blower Housing
921E	696262		Cover-Blower Housing
921F	697343		Cover-Blower Housing
921K	699984		Cover-Blower Housing
921J	790036		Cover-Blower Housing
921G	790701		Cover-Blower Housing
921L	791026		Cover-Blower Housing
925	690595		Cover-Linkage -Used Before Code Date 07100100
925	795403		Cover-Linkage -Used After Code Date 07093000
930	691919		Guard-Rewind -(Round)
930A	691345		Guard-Rewind -(Tear Drop)
969	690700		Screw -(Blower Housing Cover)
969A	691138		Screw -(Blower Housing Cover)
1036	-----		Label-Emissions -(Available From A Briggs & Stratton Authorized Dealer)

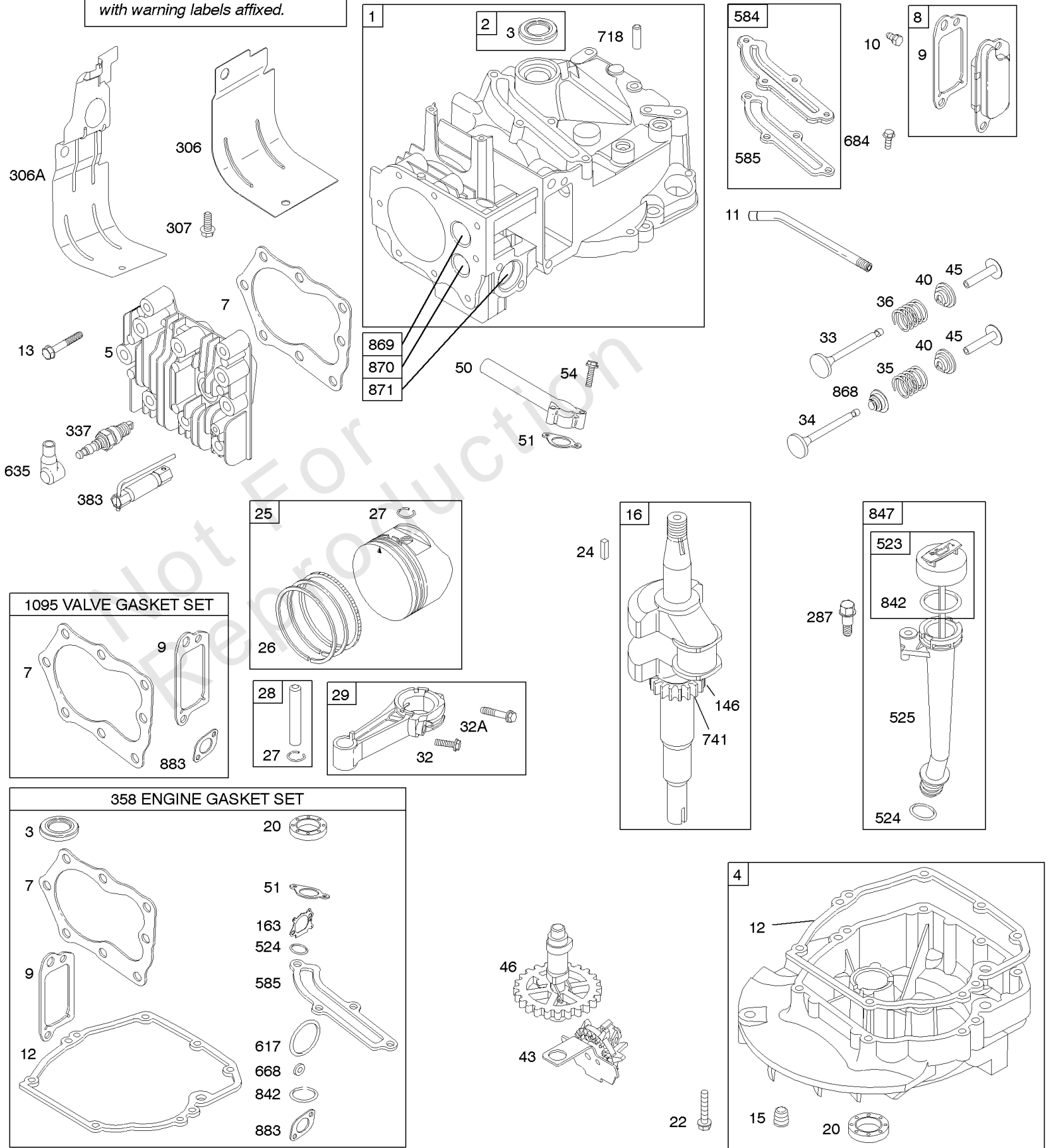
1319 WARNING LABEL

**REQUIRED** when replacing parts with warning labels affixed.

1058 OPERATOR'S MANUAL

1330 REPAIR MANUAL

1019 LABEL KIT



## Camshaft, Crankshaft, Cylinder, Engine Sump, Kit/Gasket, Lubrication, Piston Group,

REF NO	PART NO	QTY	DESCRIPTION
1	590401		Cylinder Assembly -Used After Code Date 11063000
1	697322		Cylinder Assembly -Used Before Code Date 11070100
2	399269		Kit-Bushing/Seal -(Magneto Side)
3	299819S		SEAL, Oil -(Magneto Side)
4	498983		SUMP, Engine
5	590411		Head-Cylinder -Used After Code Date 11063000
5	691160		Head-Cylinder -Used Before Code Date 11070100
7	799875		Gasket-Cylinder Head -Used After Code Date 11063000
7	692249		Gasket-Cylinder Head -Used Before Code Date 11070100
8	695250		Breather Assembly -Used Before Code Date 11070100
8	590395		Breather Assembly -Used After Code Date 11063000
9	696125		Gasket-Breather -Used Before Code Date 11070100
9	699472		Gasket-Breather -Used After Code Date 11063000
10	691125		Screw -(Breather Assembly)
11	691781		Tube-Breather
12	692232		Gasket-Crankcase
13	590422		Screw -(Cylinder Head) -Used After Code Date 11063000
13	690912		Screw -(Cylinder Head) -Used Before Code Date 11070100
15	691680		PLUG, Oil Drain -(Square Socket)
16	797681		Crankshaft
20	399781S		Seal-Oil -(PTO Side)
22	691092		Screw -(Crankcase Cover/Sump)
24	222698S		KEY, Flywheel
25	797303		Piston Assembly -(.020" Oversize) -Used After Code Date 09041600 -Used Before Code Date 11070100
25	590404		Piston Assembly -(Standard) -Used After Code Date 11063000
25	590405		Piston Assembly -(.020" Oversize) -Used After Code Date 11063000
25	791097		Piston Assembly -(Standard) -Used Before Code Date 07090400
25	791326		Piston Assembly -(.020" Oversize) -Used Before Code Date 07090400

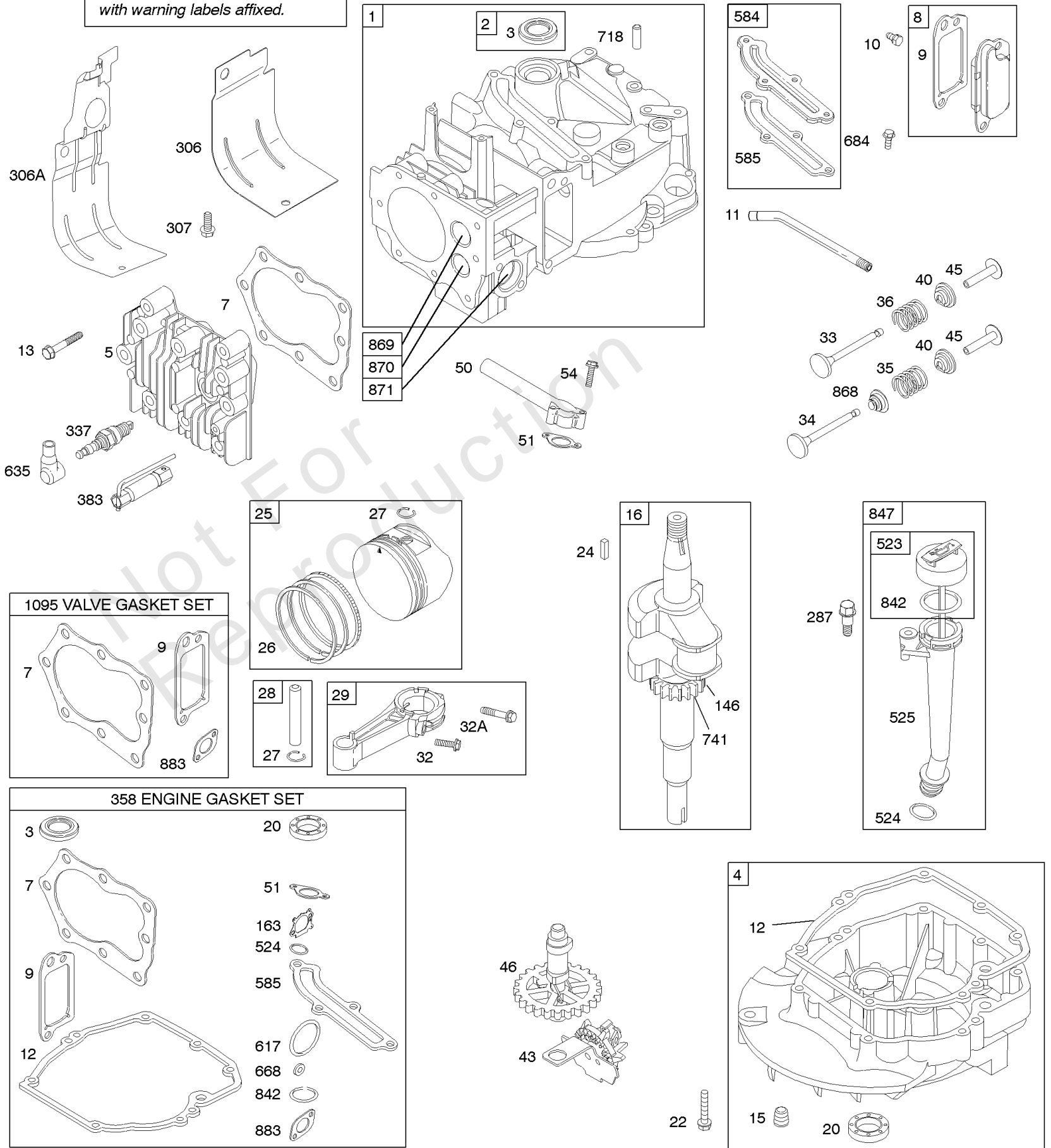
1319 WARNING LABEL

**REQUIRED** when replacing parts with warning labels affixed.

1058 OPERATOR'S MANUAL

1330 REPAIR MANUAL

1019 LABEL KIT





## Camshaft, Crankshaft, Cylinder, Engine Sump, Kit/Gasket, Lubrication, Piston Group,

REF NO	PART NO	QTY	DESCRIPTION
25	795429		Piston Assembly -(Standard) -Used After Code Date 07090300 -Used Before Code Date 09041700
25	795430		Piston Assembly -(.020" Oversize) -Used After Code Date 07090300 -Used Before Code Date 09041700
25	797302		Piston Assembly -(Standard) -Used After Code Date 09041600 -Used Before Code Date 11070100
26	797305		Ring Set -(.020" Oversize) -Used After Code Date 09041600 -Used Before Code Date 11070100
26	499425		Ring Set -(Standard) -Used Before Code Date 04031500
26	499427		Ring Set -(.020" Oversize) -Used Before Code Date 04102200
26	590402		Ring Set -(Standard) -Used After Code Date 11063000
26	590403		Ring Set -(.020" Oversize) -Used After Code Date 11063000
26	791098		Ring Set -(Standard) -Used After Code Date 04031400 -Used Before Code Date 07090400
26	791324		Ring Set -(.020" Oversize) -Used After Code Date 04102100 -Used Before Code Date 07090400
26	795431		Ring Set -(Standard) -Used After Code Date 07090300 -Used Before Code Date 09041700
26	795432		Ring Set -(.020" Oversize) -Used After Code Date 07090300 -Used Before Code Date 09041700
26	797304		Ring Set -(Standard) -Used After Code Date 09041600 -Used Before Code Date 11070100
27	691588		Lock-Piston Pin -Used After Code Date 09041600
27	691866		Lock-Piston Pin -Used Before Code Date 09041700
28	298909		Pin-Piston -(Standard) -Used After Code Date 09041600
28	499423		Pin-Piston -(Standard) -Used Before Code Date 09041700
29	499424		Rod-Connecting -(Standard) -Used Before Code Date 09041700
29	797306		Rod-Connecting -(Standard) -Used After Code Date 09041600

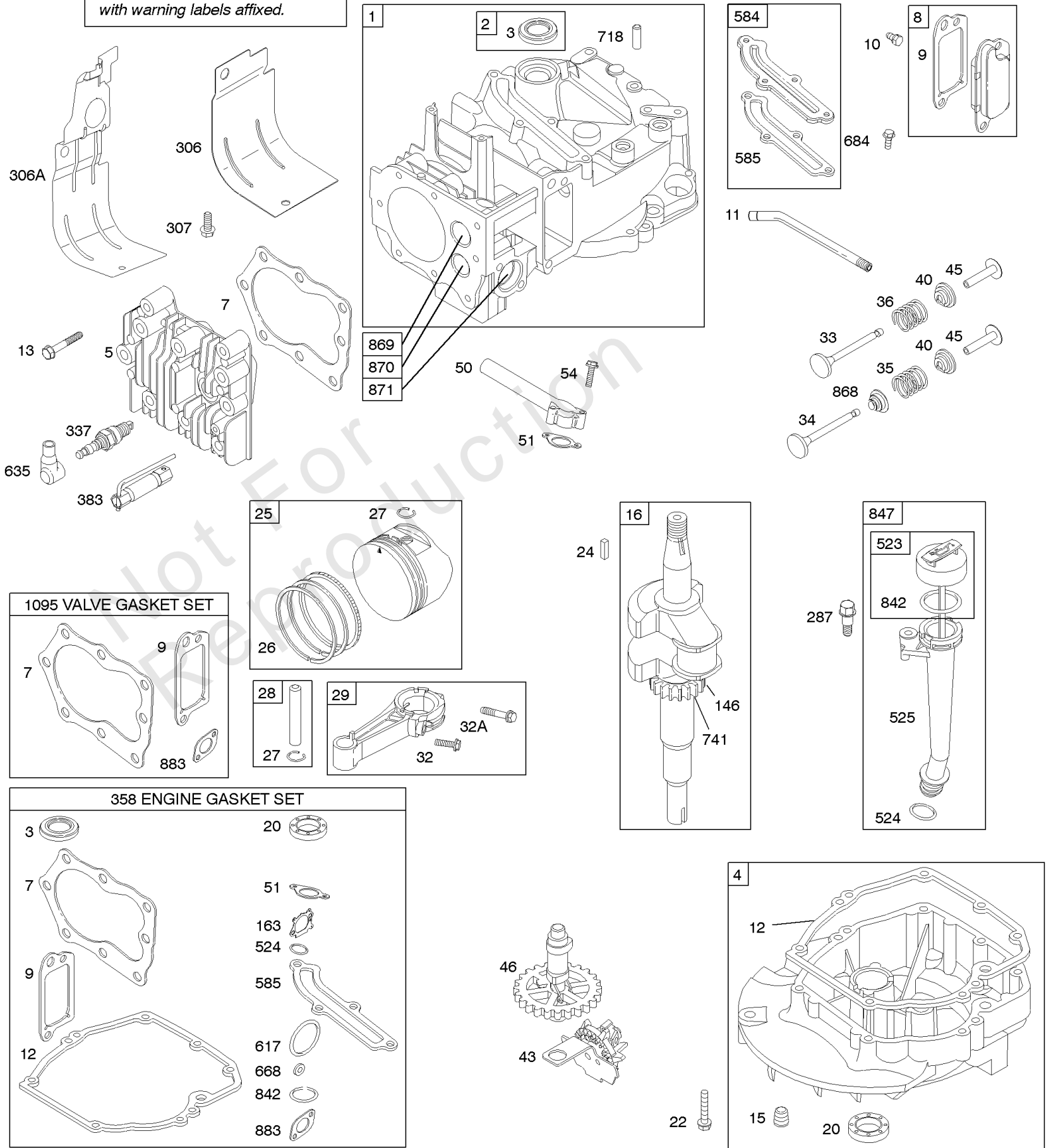
1319 WARNING LABEL

**REQUIRED** when replacing parts with warning labels affixed.

1058 OPERATOR'S MANUAL

1330 REPAIR MANUAL

1019 LABEL KIT



## Camshaft, Crankshaft, Cylinder, Engine Sump, Kit/Gasket, Lubrication, Piston Group,

REF NO	PART NO	QTY	DESCRIPTION
32	691664		Screw -(Connecting Rod)
32A	695759		Screw -(Connecting Rod)
33	262651S		Valve-Exhaust -Used Before Code Date 11070100
33	590394		Valve-Exhaust -Used After Code Date 11063000
34	590393		Valve-Intake -Used After Code Date 11063000
34	262652S		Valve-Intake -Used Before Code Date 11070100
35	691270		Spring-Valve -(Intake)
36	691270		Spring-Valve -(Exhaust)
40	692194		Retainer-Valve
43	691997		Slinger-Governor/Oil
45	690548		Tappet-Valve
46	691449		Camshaft
50	497465		Manifold-Intake
51	272199S		Gasket-Intake
54	691650		Screw -(Intake Manifold)
146	690979		KEY, Woodruff
163	272653S		Gasket-Air Cleaner
287	690940		SCREW -(Dipstick Tube)
306	690450		Shield-Cylinder
306A	790836		Shield-Cylinder
307	690345		Screw -(Cylinder Shield)
337	799876		Plug-Spark -Used After Code Date 11063000
337	697451		Plug-Spark -(EMS) -Used Before Code Date 11070100
337	802592S		Plug-Spark -(Resistor) -Used Before Code Date 11070100
358	590508		Gasket Set-Engine -Used After Code Date 11063000
358	794307		Gasket Set-Engine -Used Before Code Date 11070100
383	89838S		Wrench-Spark Plug
523	499621		Dipstick
524	692296		Seal-Dipstick Tube
525	495265		Tube-Dipstick
584	697734		Cover-Breather Passage
585	691879		Gasket-Breather Passage
617	270344S		Seal-O Ring -(Intake Manifold)
635	66538S		BOOT, Spark Plug
668	493823		Spacer
684	690345		Screw -(Breather Passage Cover)
718	690959		PIN, Locating

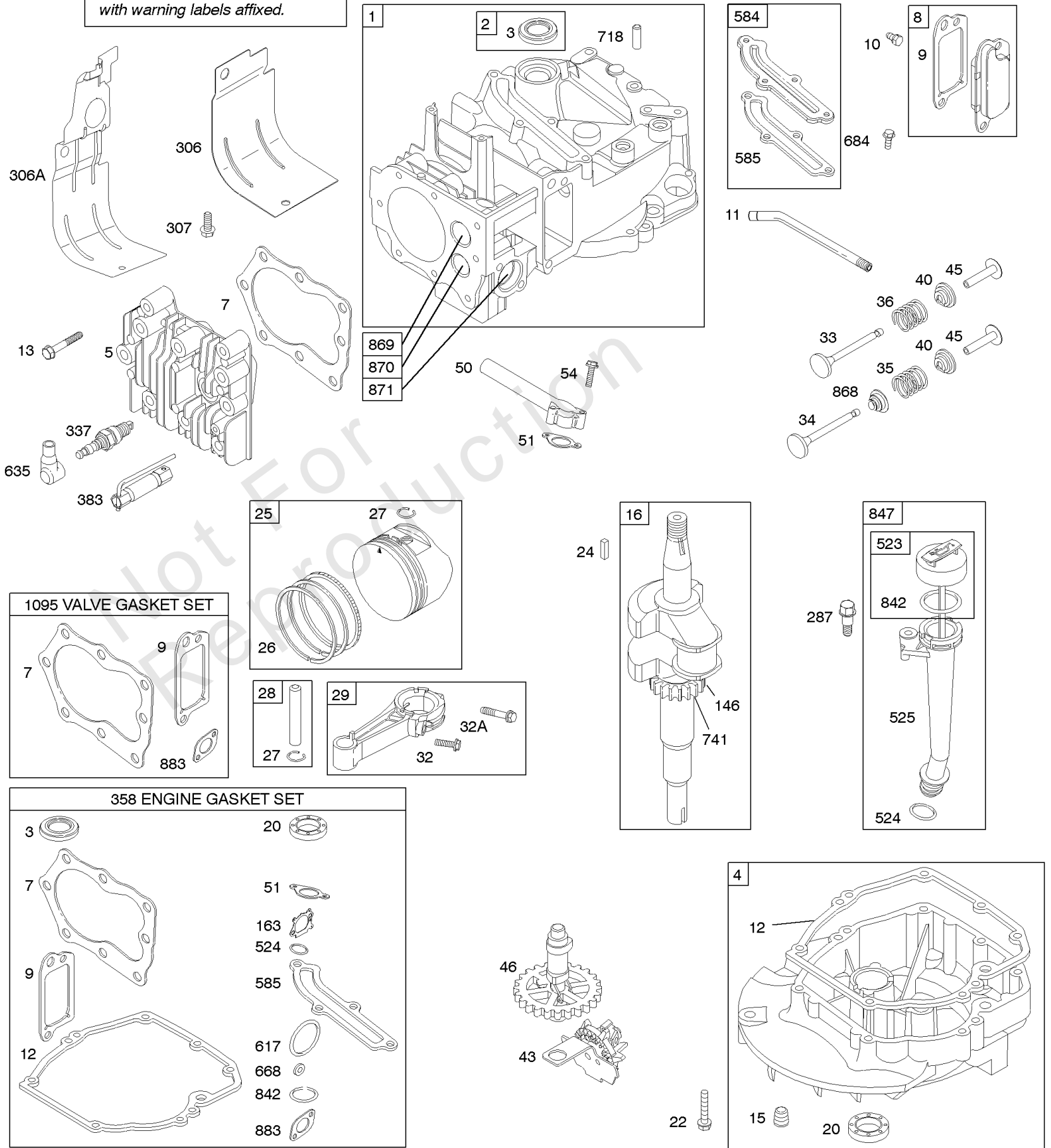
1319 WARNING LABEL

**REQUIRED** when replacing parts with warning labels affixed.

1058 OPERATOR'S MANUAL

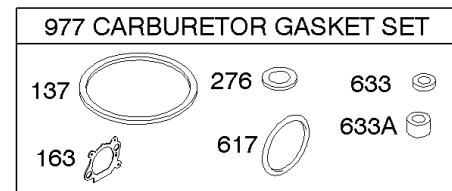
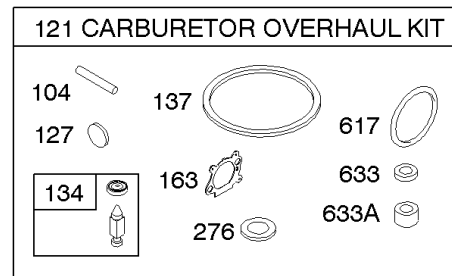
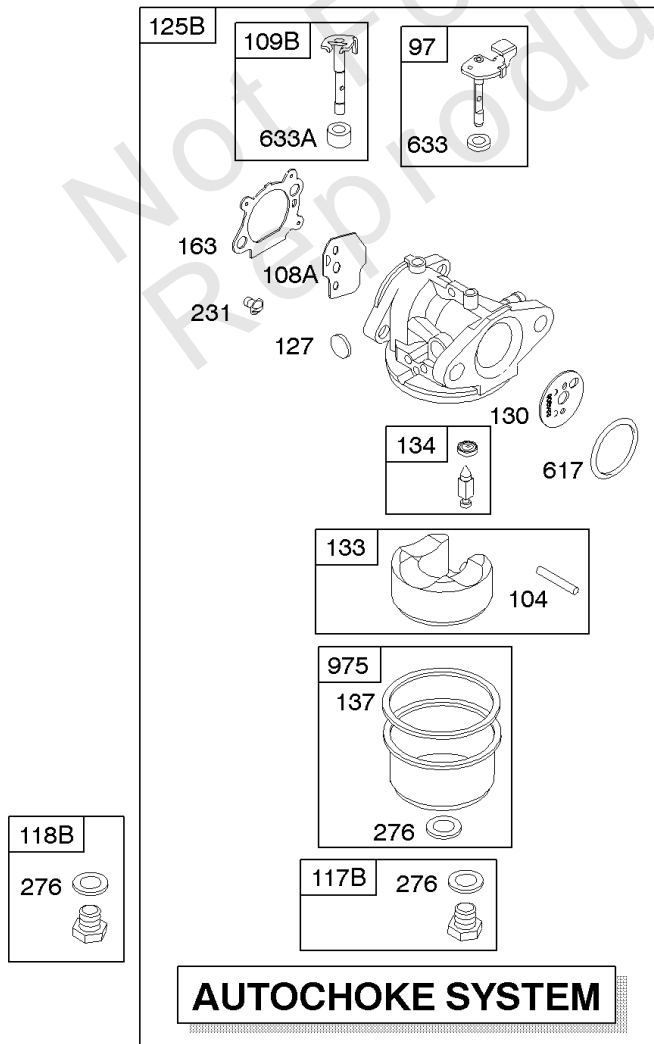
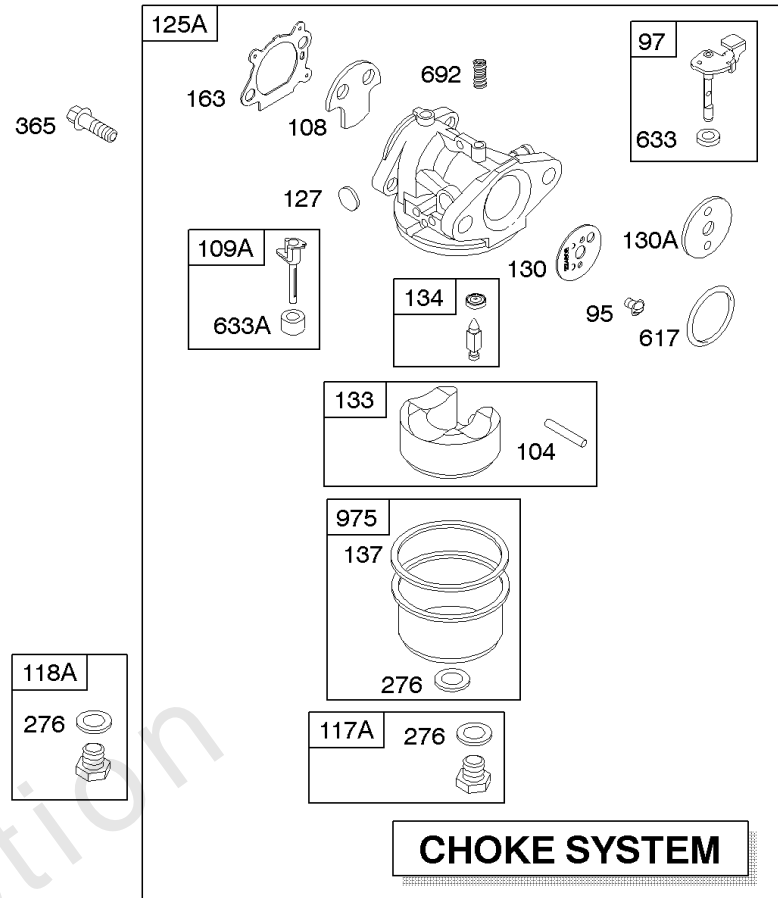
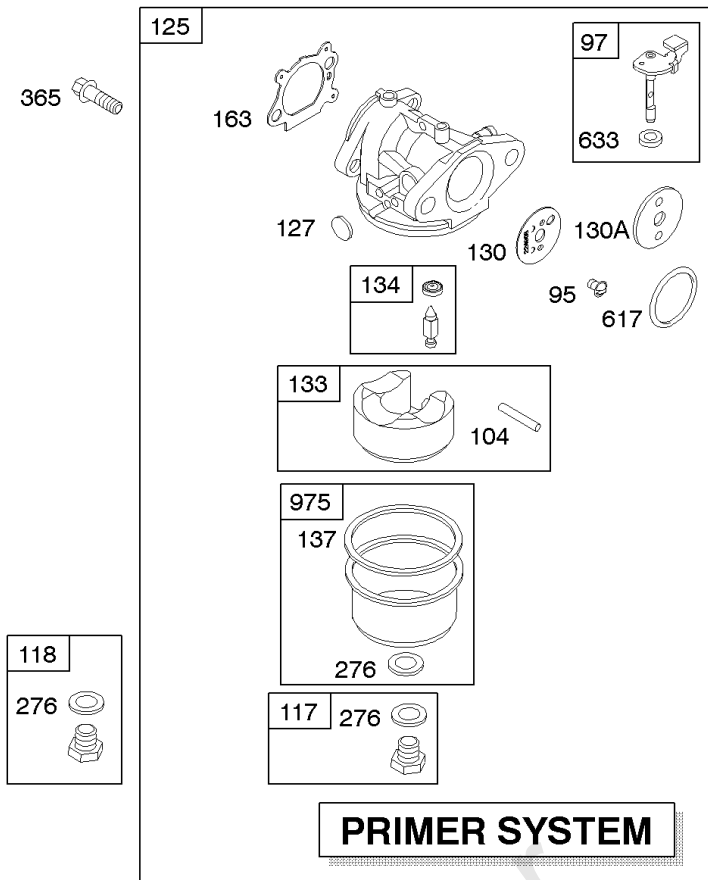
1330 REPAIR MANUAL

1019 LABEL KIT



## Camshaft, Crankshaft, Cylinder, Engine Sump, Kit/Gasket, Lubrication, Piston Group,

REF NO	PART NO	QTY	DESCRIPTION
741	691830		Gear-Timing -(Uses Woodruff Key)
741	790345		Gear-Timing -(Use Without Woodruff Key) -Used Before Code Date 07072300
741	794388		Gear-Timing -(Use Without Woodruff Key) -Used After Code Date 07072200 -Used Before Code Date 08021800
741	795755		Gear-Timing -(Plastic) -Used After Code Date 08021700
741	797521		Gear-Timing -(Metal) -Used After Code Date 08021700
842	691031		SEAL, O-Ring -(Dipstick Tube)
847	692047		Dipstick/Tube Assembly
868	697338		Seal-Valve -Used Before Code Date 11070100
868	590410		Seal-Valve -Used After Code Date 11063000
869	691155		Seat-Valve -(Intake)
870	690380		Seat-Valve -(Exhaust)
871	63709		Bushing-Valve Guide -(Intake) -Used Before Code Date 11070100
871	590409		Bushing-Valve Guide -Used After Code Date 11063000
871	262001		Bushing-Valve Guide -(Exhaust) -Used Before Code Date 11070100
883	691881		Gasket-Exhaust
1019	494256		Kit-Label
1019	790231		Kit-Label -(Touch N Mow)
1058	380567TRI		Operator's Manual -Used After Code Date 11063000
1058	277101		Operator's Manual -(Touch N Mow)
1058	277039TRI		Operator's Manual -Used Before Code Date 11070100
1095	590507		Gasket Set-Valve -Used After Code Date 11063000
1095	498528		Gasket Set-Valve -Used Before Code Date 11070100
1319	794467		LABEL, Warning
1330	270962		Repair Manual



## Carburetor

REF NO	PART NO	QTY	DESCRIPTION
95	691636		Screw -(Throttle Valve)
97	493267		Shaft-Throttle -(Metal)
97	696565		Shaft-Throttle -(Plastic)
104	691242		Pin-Float Hinge
108	691182		Valve-Choke
108A	795935		Valve-Choke -Used After Code Date 08031200
108A	790844		Valve-Choke -Used Before Code Date 08031300
109A	498593		Shaft-Choke
109B	790843		Shaft-Choke -Used Before Code Date 08031300
109B	795936		Shaft-Choke -Used After Code Date 08031200
117A	498981		Jet-Main -(Standard)
118A	494870		Jet-Main -(High Altitude)
121	498260		Kit-Carb Overhaul
125A	792253		Carburetor -(Choke System)
127	694468		Plug-Welch
130	696564		Valve-Throttle
130A	691203		Valve-Throttle
133	398187		Float-Carburetor
134	398188		Kit-Needle/Seat
137	693981		Gasket-Float Bowl -(1/16" Thick)
137	796610		Gasket-Float Bowl
163	272653S		Gasket-Air Cleaner
231	691636		Screw -(Choke Valve)
276	271716		Washer-Sealing -(Main Jet)
365	691688		Screw -(Carburetor)
617	270344S		Seal-O Ring -(Intake Manifold)
633	691321		Seal-Choke/Thr Shaft
633A	693867		Seal-Choke/Thr Shaft
692	690572		Spring-Detent
975	493640		Bowl-Float
977	498261		Gasket Set-Carburetor

## Replacement Engine

REF NO	PART NO	QTY	DESCRIPTION
	126L021005	1	Replacement Engine
	691455	1	Crankshaft -Add Part
	498983	1	SUMP, Engine -Add Part
	694849	1	Crankshaft -Remove Part
	493279	1	Sump, Engine -Remove Part
-----			Top No-Load Speed: 3800 -Trim: ALL

Not For  
Reproduction



