



# Illustrated Parts List

## Model Series

# 120300

TYPE NUMBERS  
0036 through 3781.

### TABLE OF CONTENTS

Air Cleaner .....	6
Blower Housing .....	7
Camshaft .....	2
Carburetor .....	4
Controls .....	5
Crankcase Cover .....	2
Crankshaft .....	2
Cylinder .....	2
Cylinder Head .....	3
Electric Starter .....	5
Exhaust System .....	6
Flywheel .....	7
Fuel Supply .....	4
Gear Reduction .....	7
Governor Spring .....	5
Ignition .....	5
Kits/Gaskets - Carburetor .....	4
Kits/Gaskets - Engine .....	2
Kits/Gaskets - Valve .....	3
Lubrication .....	2
Piston Group .....	2
Rewind Starter .....	7



PRINTED IN U.S.A.

COPYRIGHT by BRIGGS & STRATTON CORPORATION  
All rights reserved. No part of this material may be reproduced or transmitted,  
in any form or by any means, electronic or mechanical, including photocopying,  
recording or by any information storage and retrieval system, without permission  
in writing from Briggs & Stratton Corporation.

1319 WARNING LABEL



**REQUIRED** when replacing parts with warning labels affixed.

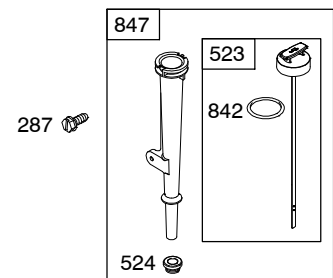
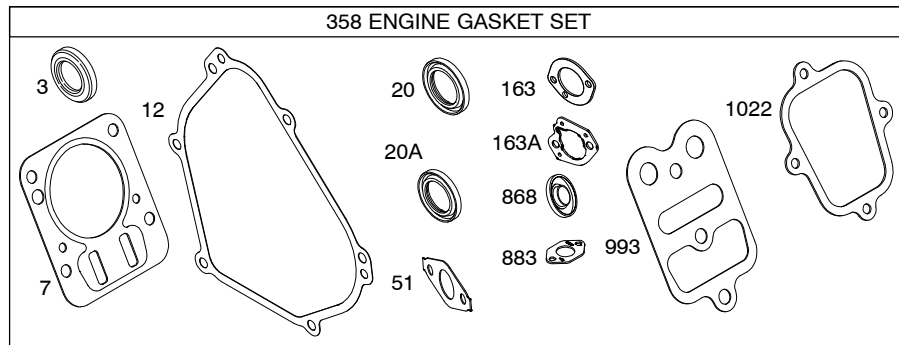
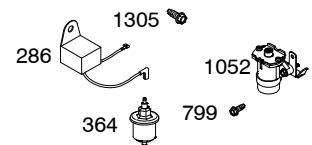
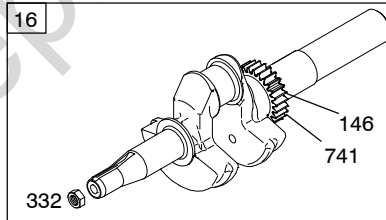
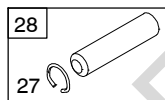
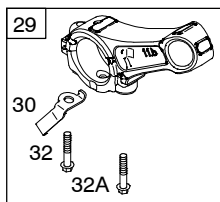
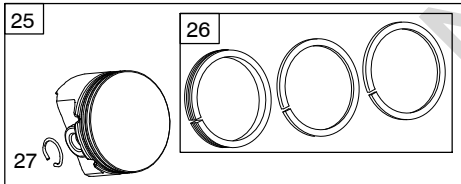
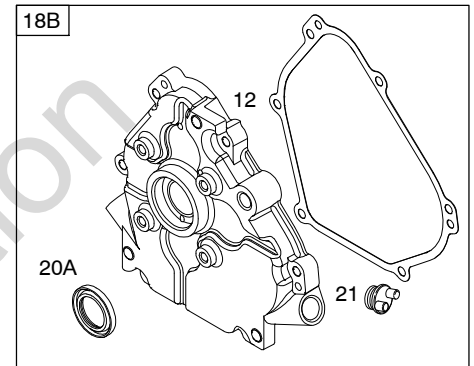
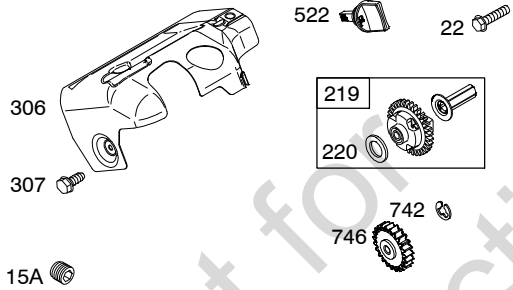
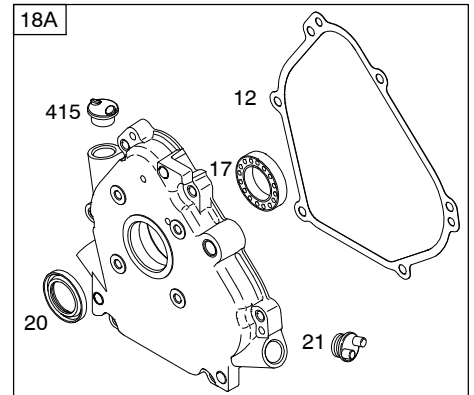
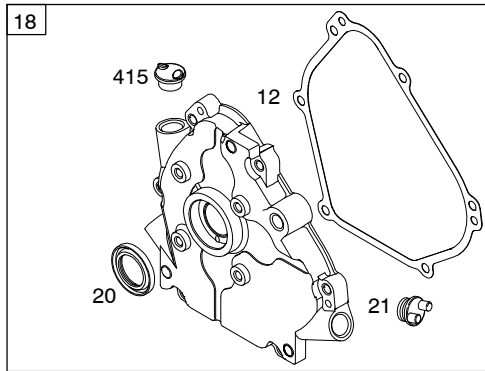
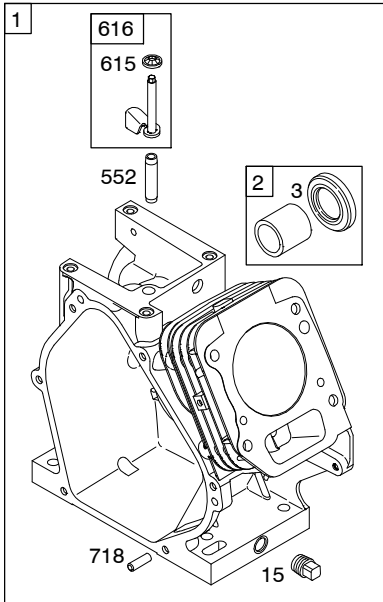
1058 OPERATOR'S MANUAL



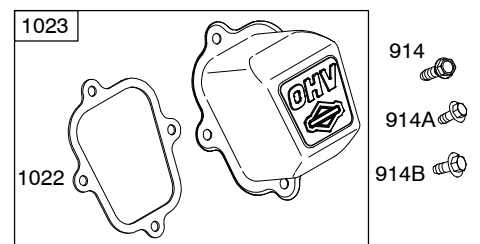
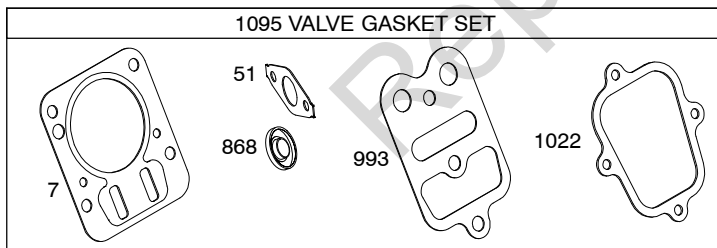
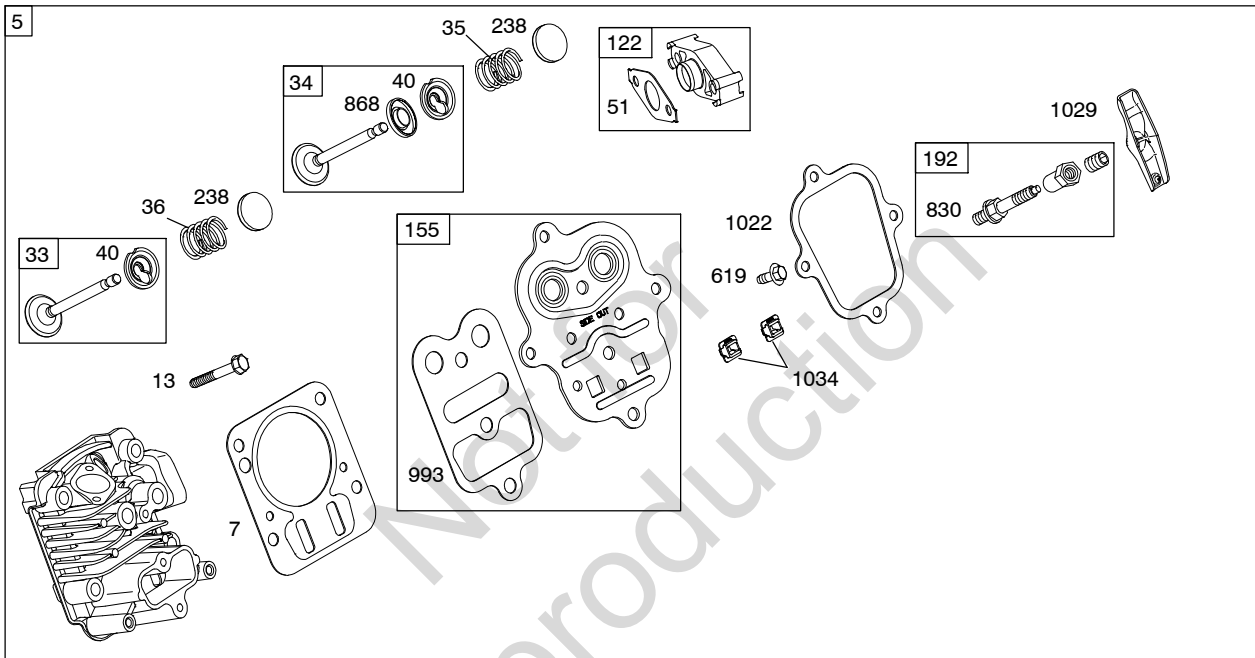
1330 REPAIR MANUAL

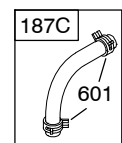
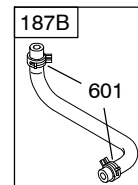
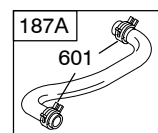
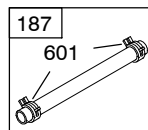
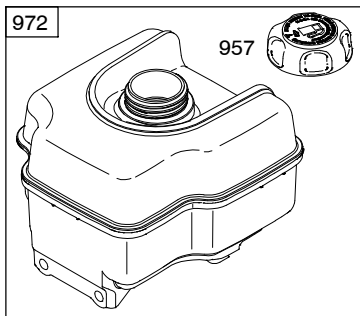
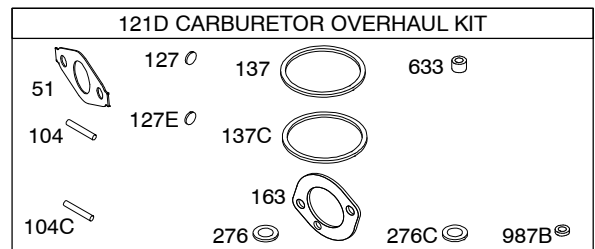
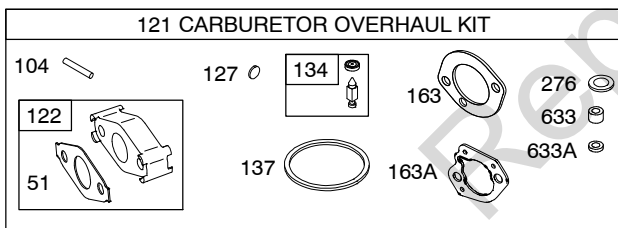
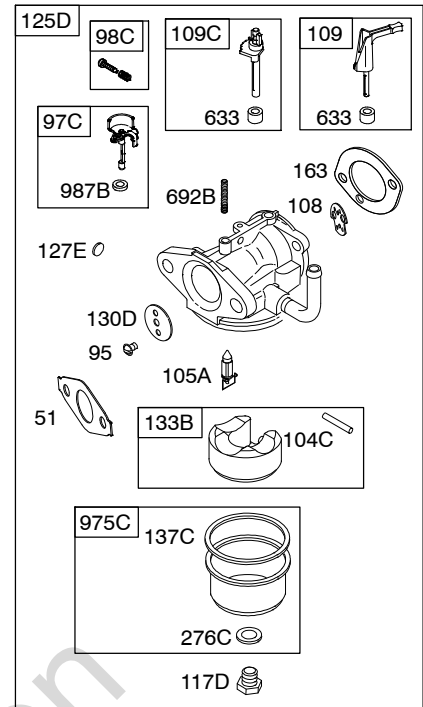
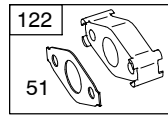
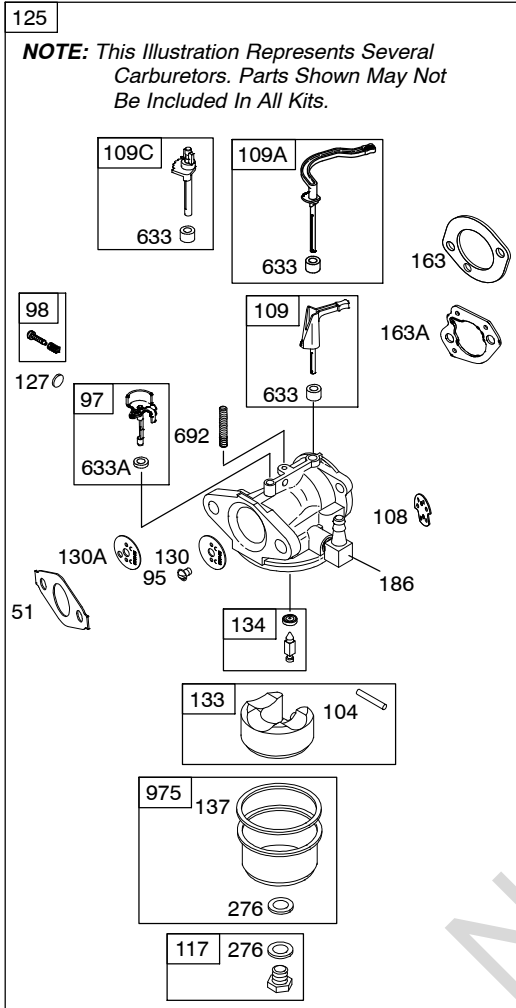


1019 LABEL KIT

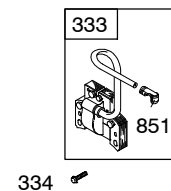
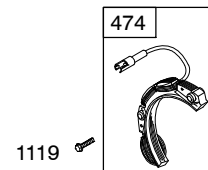
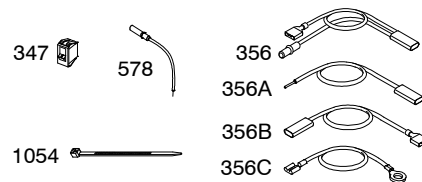
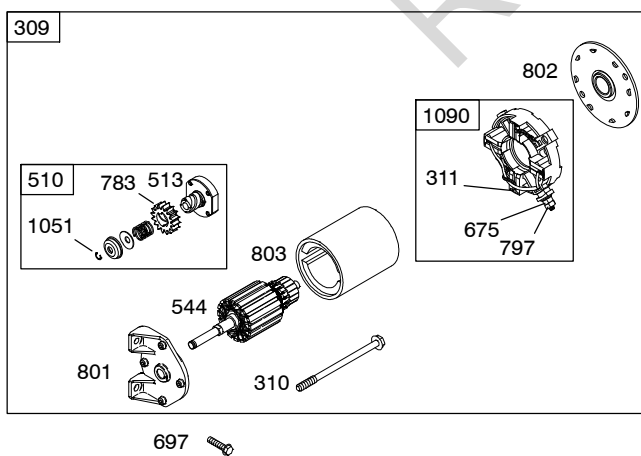
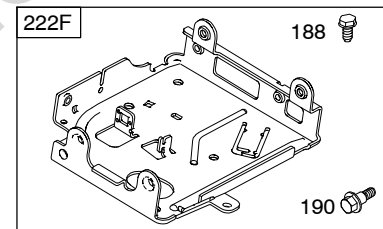
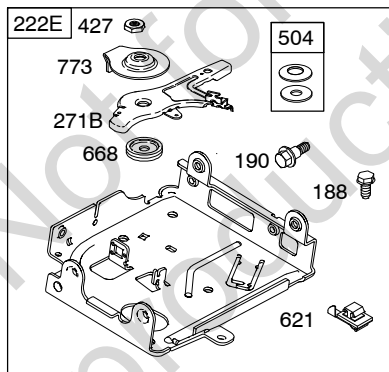
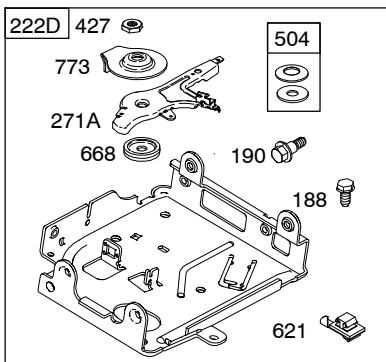
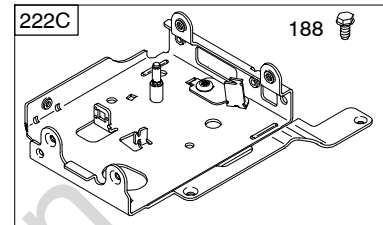
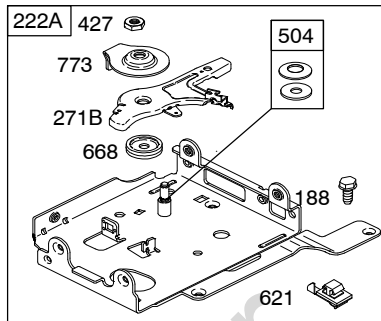
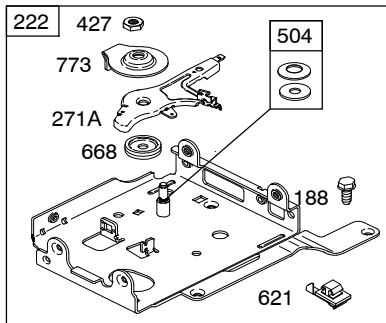
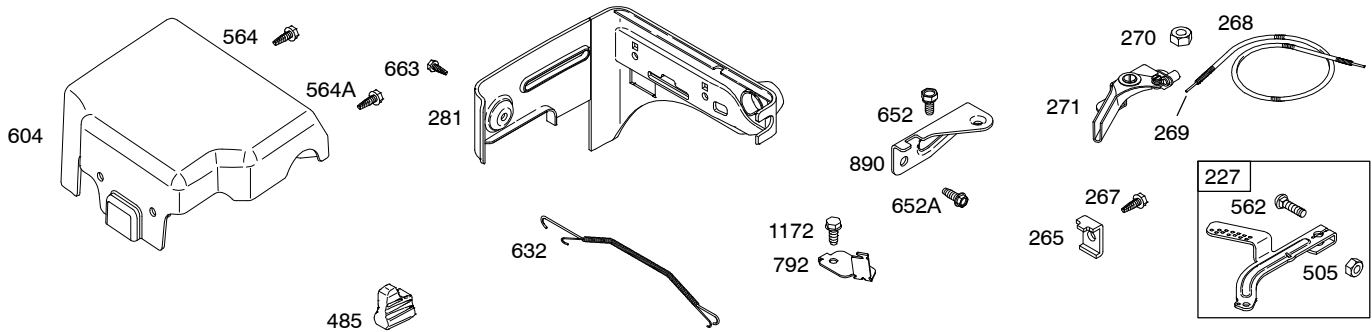


Illustrations cover a range of engines. Parts shown without corresponding text may not be used on your specific engine.

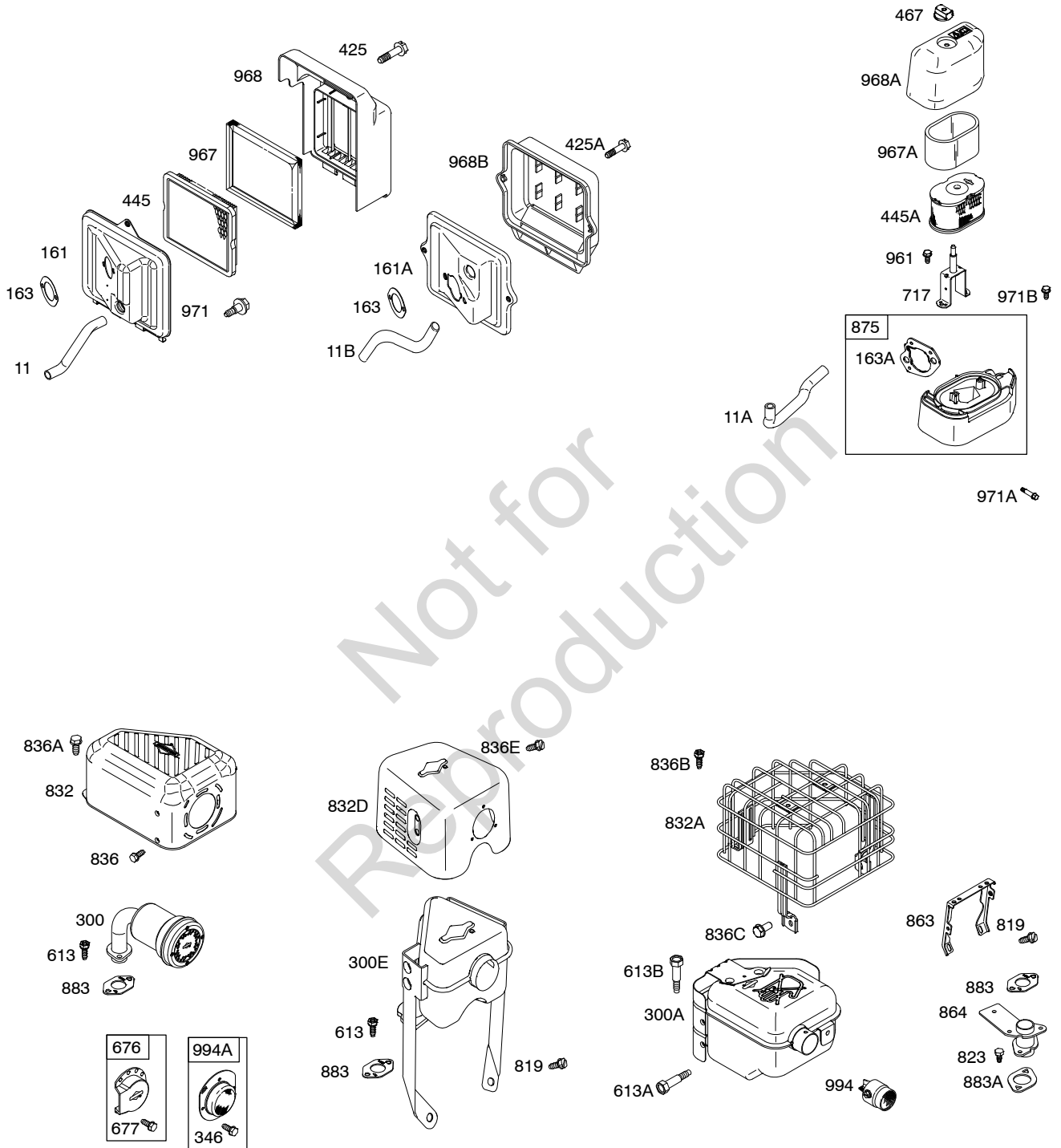




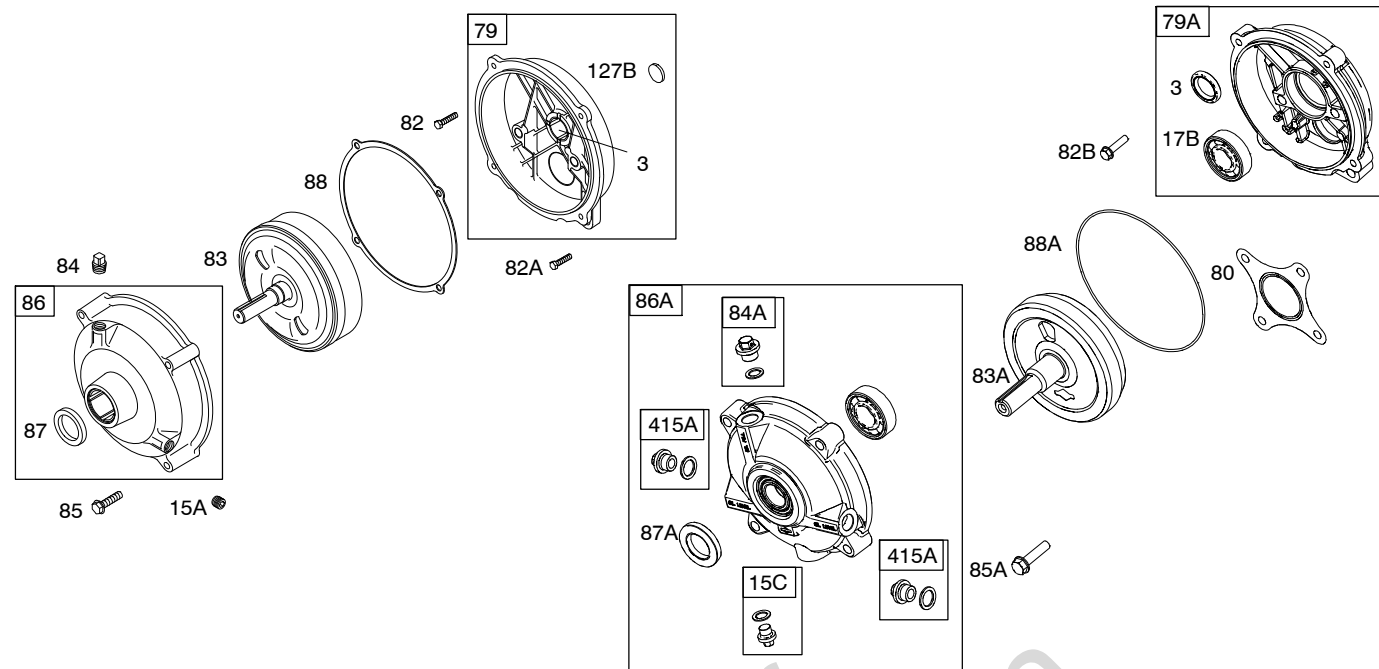
Illustrations cover a range of engines. Parts shown without corresponding text may not be used on your specific engine.



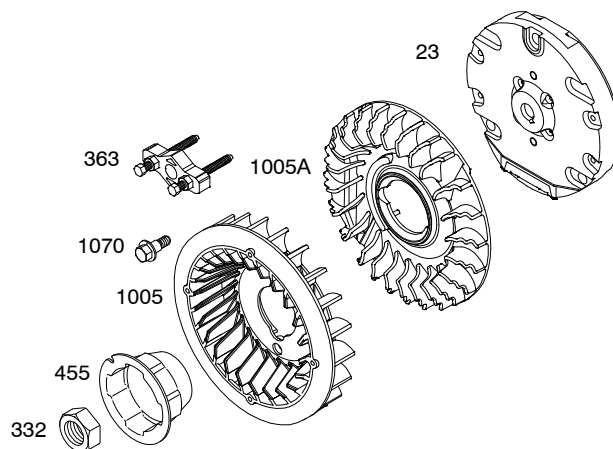
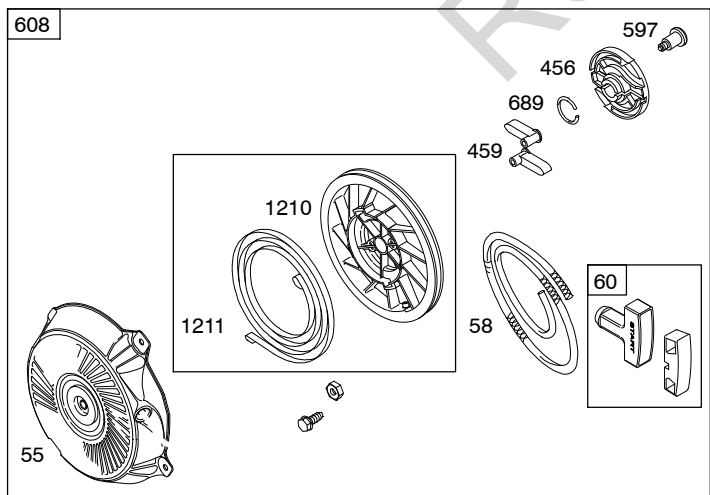
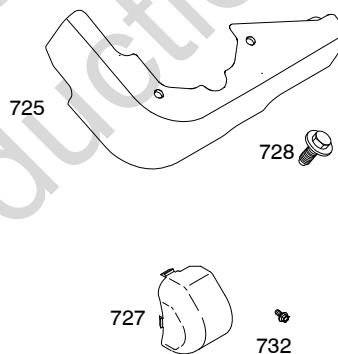
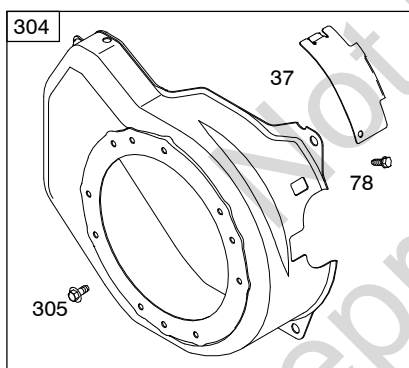
Illustrations cover a range of engines. Parts shown without corresponding text may not be used on your specific engine.  
 5640-5 Assemblies include all parts shown in frames. 08/19/2010



Illustrations cover a range of engines. Parts shown without corresponding text may not be used on your specific engine.  
 5640-6 Assemblies include all parts shown in frames. 08/19/2010



1036 EMISSIONS LABEL



Illustrations cover a range of engines. Parts shown without corresponding text may not be used on your specific engine.

# 120300

REF. NO.	PART NO.	DESCRIPTION	REF. NO.	PART NO.	DESCRIPTION	REF. NO.	PART NO.	DESCRIPTION
1	699510	Cylinder Assembly	16	699445	Crankshaft	20	★692550	Seal–Oil (PTO Side)
2	399269	Kit–Bushing/Seal (Magneto Side)			----- <b>Note</b> -----	20A	★694171	Seal–Oil (PTO Side) Used on Type No(s). 0135, 0137.
3	★299819S	Seal–Oil (Magneto Side)			699443 Crankshaft Used on Type No(s). 0036, 0131, 0149, 0159, 0166, 0388.	21	281658S	Cap–Oil Fill
5	797439	Head–Cylinder (Metric) (Used After Code Date 09061700).			699447 Crankshaft Used on Type No(s). 0132, 0135, 0137, 0138, 0145.	22	699478	Screw (Crankcase Cover/ Sump)
		----- <b>Note</b> -----			699452 Crankshaft Used on Type No(s). 0158, 0321, 0414.	23	699488	Flywheel ----- <b>Note</b> -----
		699486 Head–Cylinder (SAE) (Used Before Code Date 09061800).			699449 Crankshaft Used on Type No(s). 0242, 0299, 0327.			699514 Flywheel Used on Type No(s). 0121.
7	★Ø698210	Gasket–Cylinder Head			699451 Crankshaft Used on Type No(s). 0150, 0337.	24	222698S	Key–Flywheel
11	692600	Tube–Breather (Flat Panel Air Cleaner)			792883 Crankshaft (Used After Code Date 06051600). Used on Type No(s). 0147, 0161.	25	791968	Piston Assembly (Standard) ----- <b>Note</b> -----
11A	693647	Tube–Breather (High Mount Air Cleaner)			699444 Crankshaft (Used Before Code Date 06051700). Used on Type No(s). 0147.			791326 Piston Assembly (.020" Oversize)
11B	790632	Tube–Breather (Ultra Low Air Cleaner)			17 692517 Bearing–Ball	26	791969	Ring Set (Standard) (Used After Code Date 05060600). ----- <b>Note</b> -----
12	★699485	Gasket–Crankcase			17B 99158 Bearing–Ball			499631 Ring Set (Standard) (Used Before Code Date 05060700).
13	699482	Screw (Cylinder Head)			18 699804 Cover–Crankcase ----- <b>Note</b> -----			791324 Ring Set (.020" Oversize) (Used After Code Date 05060600).
15	691686	Plug–Oil Drain (Square Head)			699696 Cover– Crankcase Used on Type No(s). 0213, 0299, 0300, 0335, 0432, 0433, 0769, 0781, 3781.			692786 Ring Set (.020" Oversize) (Used Before Code Date 05060700).
15A	691682	Plug–Oil Drain (Flush)			699804 Cover– Crankcase (Used After Code Date 07070200). Used on Type No(s). 0137.			
15C	792750	Plug–Oil Drain			18A 699672 Cover–Crankcase Used on Type No(s). 0036, 0131, 0149, 0159, 0166, 0388.			
					18B 699761 Cover–Crankcase (Used Before Code Date 07070300). Used on Type No(s). 0137.			

★ Included in Engine Gasket Set–Ref. No.358.

● Included in Carburetor Overhaul Kit–Ref. No. 121.

◆ Included in Carburetor Gasket Set–Ref. No. 977.

Ø Included in Valve Gasket Set–Ref. No 1095.

**Illustrations cover a range of engines. Parts shown without corresponding text may not be used on your specific engine.**

5640–8

Assemblies include all parts shown in frames.

08/19/2010



REF. NO.	PART NO.	DESCRIPTION	REF. NO.	PART NO.	DESCRIPTION	REF. NO.	PART NO.	DESCRIPTION		
27	691866	Lock-Piston Pin	58	693389	Rope-Starter (Used After Code Date 08030200).	83	690374	Shaft-Auxiliary Drive (Used Before Code Date 06051700).		
28	499423	Pin-Piston				83A	792756	Shaft-Auxiliary Drive (Used After Code Date 06051600).		
29	690124	Rod-Connecting				84	691121	Plug-Breather		
30	791584	Dipper-Connecting Rod				84A	792759	Plug-Breather		
32	691664	Screw (Connecting Rod)				85	692551	Screw (Gear Cover to Gear Reduction)		
32A	695759	Screw (Connecting Rod)						(Used Before Code Date 06051700).		
33	499642	Valve-Exhaust				85A	690711	Screw (Gear Cover to Gear Reduction)		
34	499641	Valve-Intake						(Used After Code Date 06051600).		
35	691304	Spring-Valve (Intake)				86	690608	Cover-Gear (Used Before Code Date 06051700).		
36	691304	Spring-Valve (Exhaust)				86A	795647	Cover-Gear (Used After Code Date 08010100).		
37	699661	Guard-Flywheel						----- Note -----		
40	692194	Retainer-Valve						792748 Cover-Gear (Used After Code Date 06051600 and Before Code Date 08010200).		
45	690977	Tappet-Valve				87	691582	Seal-Gear Reduction (Used Before Code Date 06051700).		
46	693404	Camshaft	60	490652	Grip-Starter Rope (2 Piece)	87A	792752	Seal-Gear Reduction (Used After Code Date 06051600).		
51★◆◇692555		Gasket-Intake	78	699205	Screw (Flywheel Guard)			88	691600	Gasket-Gear Reduction Cover
55	791848	Housing-Rewind Starter (Used After Code Date 08030200).	79	694511	Case-Gear Reduction (Used Before Code Date 06051700).			88A	792760	Gasket-Gear Reduction Cover
		----- Note -----	79A	792746	Case-Gear Reduction (Used After Code Date 06051600).			95	691636	Screw (Throttle Valve)
		691422 Housing-Rewind Starter (Used Before Code Date 08030300). (Rewind Starter Parts Used With 3MM Diameter Starter Rope)	80	792755	Gasket-Gear Case					
		791848 Housing-Rewind Starter (Used Before Code Date 08030300). (Rewind Starter Parts Used With 5MM Diameter Starter Rope)	82	690369	Screw (Gear Reduction Case) (Used Before Code Date 06051700).					
			82A	790197	Screw (Gear Reduction Case) (Used Before Code Date 06051700).					
			82B	792753	Screw (Gear Reduction Case) (Used After Code Date 06051600).					

★ Included in Engine Gasket Set-Ref. No.358.

● Included in Carburetor Overhaul Kit-Ref. No. 121.

◆ Included in Carburetor Gasket Set-Ref. No. 977.

◇ Included in Valve Gasket Set-Ref. No 1095.

**Illustrations cover a range of engines. Parts shown without corresponding text may not be used on your specific engine.**



REF. NO.	PART NO.	DESCRIPTION	REF. NO.	PART NO.	DESCRIPTION	REF. NO.	PART NO.	DESCRIPTION
155	797442	Plate-Cylinder Head (Metric) (Used After Code Date 09061700). ----- <b>Note</b> ----- <b>698214</b> Plate-Cylinder Head (SAE) (Used Before Code Date 09061800).	209	692571	Spring-Governor ----- <b>Note</b> ----- <b>693206</b> Spring-Governor Used on Type No(s). 0121, 0132, 0133, 0135, 0137, 0138, 0141, 0145, 0336.	227	692573	Lever-Governor Control
161	699207	Base-Air Cleaner (Flat Panel Air Cleaner)	209A	691278	Spring-Governor	238	691300	Valve-Cap
161A	790631	Base-Air Cleaner (Ultra Low Air Cleaner)	219	693578	Gear-Governor	240	694485	Filter-Fuel
163★◆696024		Gasket-Air Cleaner (Flat Panel Air Cleaner)	220	691724	Washer (Governor Gear)	240A	394358S	Filter-Fuel
163A★◆792870		Gasket-Air Cleaner (High Mount)	222	699589	Bracket-Control (Used Before Code Date 06051500).	265	691024	Clamp-Casing
186	692317	Connector-Hose	222A	699591	Bracket-Control (Used Before Code Date 06051500). Used on Type No(s). 0143, 0146.	267	699492	Screw (Casing Clamp)
187	791766	Line-Fuel (Cut to Required Length)	222C	699493	Bracket-Control (Used Before Code Date 06051500). Used on Type No(s). 0132, 0145.	268	691025	Casing-Control Wire (Cut to Required Length)
187A	791867	Line-Fuel (Molded)				269	691026	Wire-Control (Cut to Required Length)
187B	791874	Line-Fuel (Molded)				270	691027	Nut (Control Wire Casing)
187C	791866	Line-Fuel (Molded)				271	691028	Lever-Control
188	699479	Screw (Control Bracket)				271A	694256	Lever-Control
190	699220	Screw (Fuel Tank)				271B	695743	Lever-Control
192	797440	Adjuster-Rocker Arm (Metric) (Used After Code Date 09061700). ----- <b>Note</b> ----- <b>694543</b> Adjuster-Rocker Arm (SAE) (Used Before Code Date 09061800).	222D	793107	Bracket-Control (Used After Code Date 06051400).	276	◆271716	Washer-Sealing
			222E	793108	Bracket-Control (Used After Code Date 06051400). Used on Type No(s). 0143, 0146, 0244.	276C	◆797632	Washer-Sealing
			222F	793100	Bracket-Control (Used After Code Date 06051400). Used on Type No(s). 0132, 0135, 0137, 0138, 0145.	281	793122	Panel-Control
						286	794185	Module-Oil Sensor
						287	699629	Screw (Dipstick Tube)
						300	693593	Muffler
						300A	699231	Muffler
						300E	791595	Muffler
						304	699598	Housing-Blower
						305	699481	Screw (Blower Housing)
						306	693610	Shield-Cylinder
						307	699483	Screw (Cylinder Shield)
						309	694504	Motor-Starter
						310	690323	Screw (Starter Motor)
						311	497608	Brush Set
						332	792723	Nut (Flywheel)
						333	695711	Armature-Magneto
						334	699477	Screw (Magneto Armature)

★ Included in Engine Gasket Set-Ref. No.358.

● Included in Carburetor Overhaul Kit-Ref. No. 121.

◆ Included in Carburetor Gasket Set-Ref. No. 977.

⊘ Included in Valve Gasket Set-Ref. No 1095.

**Illustrations cover a range of engines. Parts shown without corresponding text may not be used on your specific engine.**

# 120300

REF. NO.	PART NO.	DESCRIPTION	REF. NO.	PART NO.	DESCRIPTION	REF. NO.	PART NO.	DESCRIPTION
337	491055S	Plug-Spark (Resistor) ----- <b>Note</b> ----- 691043 Plug-Spark (EMS)	445	491588S	Filter-Air Cleaner Cartridge (Flat Panel)	562	691119	Bolt (Governor Control Lever)
346	699203	Screw (Spark Arrestor) (Metric) ----- <b>Note</b> ----- 690661 Screw (Spark Arrestor) (SAE)	445A	697029	Filter-Air Cleaner Cartridge (High Mount)	564	699491	Screw (Control Cover)
347	697854	Switch-Rocker ----- <b>Note</b> ----- 698338 Switch-Rocker Used on Type No(s). 0132, 0135, 0137, 0138.	455	692591	Cup-Flywheel	564A	699492	Screw (Control Cover) ----- <b>Note</b> ----- 699206 Screw (Control Cover) Used on Type No(s). 0132, 0145.
356	693651	Wire-Stop	456	692299	Plate-Pawl Friction	578	692306	Wire Assembly
356A	692390	Wire-Stop	459	281505S	Pawl-Ratchet	597	691696	Screw (Pawl Friction Plate)
356B	692602	Wire-Stop	467	691668	Knob-Air Cleaner	601	791850	Clamp-Hose
356C	695630	Wire-Stop	474	694457	Alternator ----- <b>Note</b> ----- 793640 Alternator Used on Type No(s). 0121.	604	697326	Cover-Control
358	791797	Gasket Set-Engine	485	695755	Knob-Control	608	795930	Starter-Rewind (Used After Code Date 08030200). ----- <b>Note</b> ----- 693394 Starter- Rewind (Used Before Code Date 08030300). (Rewind Starter Parts Used With 3MM Diameter Starter Rope) 791670 Starter- Rewind (Used Before Code Date 08030300). (Rewind Starter Parts Used With 5MM Diameter Starter Rope)
363	19203	Puller-Flywheel	504	694254	Washer Set-Friction			
364	695693	Terminal-Oil Plug	485	695755	Knob-Control			
365	699484	Screw (Carburetor)	505	691251	Nut (Governor Control Lever)			
383	19374S	Wrench-Spark Plug	510	499308	Drive-Starter			
415	693463	Plug	513	692024	Drive-Clutch			
415A	792749	Plug	522	697689	Plug-Dipstick/Fill			
425	699208	Screw (Air Cleaner Cover)	523	693618	Dipstick ----- <b>Note</b> ----- 798469 Dipstick (Used After Code Date 10022100). Used on Type No(s). 0327.			
425A	699492	Screw (Air Cleaner Cover)			790546 Dipstick (Used Before Code Date 10022200). Used on Type No(s). 0327.			
427	798458	Nut (Control Bracket) (Metric) ----- <b>Note</b> ----- 694255 Nut (Control Bracket) (SAE)	524	281370S	Seal-Dipstick Tube			
			544	692966	Armature-Starter			
			552	692346	Bushing-Governor Crank			

★ Included in Engine Gasket Set-Ref. No.358.

● Included in Carburetor Overhaul Kit-Ref. No. 121.

◆ Included in Carburetor Gasket Set-Ref. No. 977.

⊘ Included in Valve Gasket Set-Ref. No 1095.

**Illustrations cover a range of engines. Parts shown without corresponding text may not be used on your specific engine.**

5640-12

Assemblies include all parts shown in frames.

08/19/2010

REF. NO.	PART NO.	DESCRIPTION	REF. NO.	PART NO.	DESCRIPTION	REF. NO.	PART NO.	DESCRIPTION
613	699209	Screw (Muffler)	689	691855	Spring-Friction	832	693583	Guard-Muffler
613A	699481	Screw (Muffler)	692	690572	Spring-Detent	832A	697818	Guard-Muffler
613B	799081	Screw (Muffler) (Metric)	692B	797624	Spring-Detent	832D	796240	Guard-Muffler (Used After Code Date 08062400).
		----- <b>Note</b> -----	697	793567	Screw (Starter Motor)			----- <b>Note</b> -----
		697812 Screw (Muffler) (SAE)	717	693462	Bracket-Air Cleaner			791600 Guard-Muffler (Used Before Code Date 08062500).
615	692576	Retainer-Governor Shaft	718	690959	Pin-Locating	836	699203	Screw (Muffler Guard)
616	692547	Crank-Governor	725	792874	Shield-Heat	836A	699632	Screw (Muffler Guard)
619	699481	Screw (Cylinder Head Plate)	727	698039	Cover-Starter Drive	836B	699209	Screw (Muffler Guard)
621	692310	Switch-Stop	728	699632	Screw (Heat Shield)	836C	699234	Screw (Muffler Guard)
632	693408	Spring/Link-Mechanical Governor	732	699200	Screw (Starter Drive Cover)	836E	699755	Screw (Muffler Guard)
633	◆693867	Seal-Choke/Throttle Shaft	741	692565	Gear-Timing	842	691031	Seal-O Ring (Dipstick Tube)
633A	◆691321	Seal-Choke/Throttle Shaft	742	692564	Retainer-E Ring	847	693617	Dipstick/Tube Assembly
635	692076	Boot-Spark Plug	746	790278	Gear-Idler			----- <b>Note</b> -----
635A	692927	Boot-Spark Plug	773	694258	Retainer			798468 Dipstick/Tube Assembly (Used After Code Date 10022100).
652	699755	Screw (Support Bracket)	783	692353	Gear-Pinion			Used on Type No(s). 0327.
652A	699481	Screw (Support Bracket)	792	694259	Bracket-Fixed Speed			790545 Dipstick/Tube Assembly (Used Before Code Date 10022200).
663	699206	Screw (Control Panel)	797	691029	Nut (Brush Retainer)			Used on Type No(s). 0327.
668	694257	Spacer	799	699202	Screw (Oil Sensor)			----- <b>Note</b> -----
675	691261	Washer (Brush Retainer)	801	694482	Cap-Drive			694544 Stud-Rocker Arm (SAE) (Used Before Code Date 09061800).
676	393757	Deflector-Muffler	802	691286	Cap-End			
677	699203	Screw (Muffler Deflector) (Metric)	803	693757	Housing-Starter			
		----- <b>Note</b> -----	819	699233	Screw (Muffler Bracket)			
		690661 Screw (Muffler Deflector) (SAE)	823	699209	Screw (Muffler Adapter)			
			830	797441	Stud-Rocker Arm (Metric) (Used After Code Date 09061700).			
					----- <b>Note</b> -----			
					694544 Stud-Rocker Arm (SAE) (Used Before Code Date 09061800).			
						851	493880S	Terminal-Spark Plug
						863	699229	Bracket-Muffler

★ Included in Engine Gasket Set-Ref. No.358.

● Included in Carburetor Overhaul Kit-Ref. No. 121.

◆ Included in Carburetor Gasket Set-Ref. No. 977.

⊘ Included in Valve Gasket Set-Ref. No 1095.

**Illustrations cover a range of engines. Parts shown without corresponding text may not be used on your specific engine.**

# 120300

REF. NO.	PART NO.	DESCRIPTION	REF. NO.	PART NO.	DESCRIPTION	REF. NO.	PART NO.	DESCRIPTION
864	699232	Adapter-Muffler	958	698180	Valve-Fuel Shut Off	1026	790287	Rod-Push
868	★∅692044	Seal-Valve	961	698304	Screw (Air Cleaner Bracket)	1029	797443	Arm-Rocker (Metric) (Used After Code Date 09061700).
875	697030	Base-Air Cleaner (High Mount)	967	493537S	Filter-Pre Cleaner (Flat Panel)	----- <b>Note</b> -----		
883	★691893	Gasket-Exhaust	967A	273356S	Filter-Pre Cleaner (High Mount)	691230		Arm-Rocker (SAE) (Used Before Code Date 09061800).
883A	★692237	Gasket-Exhaust	968	692584	Cover-Air Cleaner (Flat Panel Air Cleaner)	1034	691343	Guide-Push Rod
890	790203	Bracket-Support	968A	693460	Cover-Air Cleaner (High Mount)	1036		Label-Emissions (Available From An Authorized Briggs & Stratton Sevice Dealer)
914	699481	Screw (Rocker Cover) (Bottom)	968B	791082	Cover-Air Cleaner (Ultra Low Air Cleaner)	1051	691265	Ring-Retaining
914A	797444	Screw (Rocker Cover) (Top)(Metric) (Used After Code Date 09061700).	971	798649	Screw (Air Cleaner Base) (Metric)	1052	790141	Sensor-Oil
		----- <b>Note</b> -----			----- <b>Note</b> -----	1054	280275	Cable-Tie
		692557 Screw (Top)(SAE) (Used Before Code Date 09061800).			690370 Screw (Air Cleaner Base) (SAE)	1058	277040	Operator's Manual
914B	797444	Screw (Rocker Cover) (Center)(Metric) (Used After Code Date 09061700).	971A	690349	Screw (Air Cleaner Base)	1070	699201	Screw (Flywheel Fan)
		----- <b>Note</b> -----	971B	699629	Screw (Air Cleaner Base)	1090	691293	Retainer-Brush
		697551 Screw (Rocker Cover) (Center)(SAE) (Used Before Code Date 09061800).	972	694260	Tank-Fuel	1095	791798	Gasket Set-Valve
951	790630	Lever-Choke	975	493640	Bowl-Float	1119	699772	Screw (Alternator)
957	792647	Cap-Fuel Tank (Fresh Start)	975C	797631	Bowl-Float	1172	699230	Screw (Fixed Speed Bracket)
		----- <b>Note</b> -----	987B	797629	Seal-Throttle Shaft			
		795027 Cap-Fuel Tank (Text Free)	993	∅694088	Gasket-Cylinder Head Plate			
			994	790153	Arrester-Spark			
			994A	399541	Arrester-Spark			
			1005	692592	Fan-Flywheel			
			1005A	794273	Fan-Flywheel			
			1019	694852	Kit-Label			
			1022	★∅691890	Gasket-Rocker Cover			
			1023	499924	Cover-Rocker Arm			

★ Included in Engine Gasket Set-Ref. No.358.

● Included in Carburetor Overhaul Kit-Ref. No. 121.

◆ Included in Carburetor Gasket Set-Ref. No. 977.

∅ Included in Valve Gasket Set-Ref. No 1095.

**Illustrations cover a range of engines. Parts shown without corresponding text may not be used on your specific engine.**

REF. NO.	PART NO.	DESCRIPTION	REF. NO.	PART NO.	DESCRIPTION	REF. NO.	PART NO.	DESCRIPTION
1210	791849	Pulley/Spring Assembly (Pulley) (Used After Code Date 08030200). ----- <b>Note</b> ----- 498144 Pulley/Spring Assembly (Pulley) (Used Before Code Date 08030300). (Rewind Starter Parts Used With 3MM Diameter Starter Rope) 791849 Pulley/Spring Assembly (Pulley) (Used Before Code Date 08030300). (Rewind Starter Parts Used With 5MM Diameter Starter Rope)	1211	791849	Pulley/Spring Assembly (Spring) (Used After Code Date 08030200). ----- <b>Note</b> ----- 498144 Pulley/Spring Assembly (Spring) (Used Before Code Date 08030300). (Rewind Starter Parts Used With 3MM Diameter Starter Rope) 791849 Pulley/Spring Assembly (Spring) (Used Before Code Date 08030300). (Rewind Starter Parts Used With 5MM Diameter Starter Rope)	1305	691140	Screw (Oil Sensor Module) ----- <b>Note</b> ----- 699691 Screw (Oil Sensor Module) Used on Type No(s). 0159, 0166.
						1319	794467	Label-Warning
						1330	272147	Repair Manual

★ Included in Engine Gasket Set-Ref. No.358.

● Included in Carburetor Overhaul Kit-Ref. No. 121.

◆ Included in Carburetor Gasket Set-Ref. No. 977.

∅ Included in Valve Gasket Set-Ref. No 1095.

**Illustrations cover a range of engines. Parts shown without corresponding text may not be used on your specific engine.**

Not for  
Reproduction

