



Illustrated Parts List

Model Series

10D900

TYPE NUMBERS
0100 through 5000.

TABLE OF CONTENTS

Air Cleaner	5
Blower Housing/Shrouds	7
Brake	6
Camshaft	3
Carburetor	4
Controls	5
Crankcase Cover/Sump	3
Crankshaft	3
Cylinder	2
Cylinder Head	2
Exhaust System	6
Flywheel	7
Fuel Supply	4
Gasket Set - Engine	2
Gasket Set - Valve	2
Governor Spring	5
Ignition	5
Lubrication	2
Operator's Manual	2
Piston/Rings/Connecting Rod	3
Rewind Starter	7
Warning Label	2

PRINTED IN U.S.A.



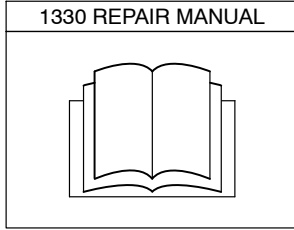
COPYRIGHT by BRIGGS & STRATTON CORPORATION
All rights reserved. No part of this material may be reproduced or transmitted, in any form or by any means, electronic or mechanical, including photocopying, recording or by any information storage and retrieval system, without permission in writing from Briggs & Stratton Corporation.

10D900

1058 OPERATOR'S MANUAL



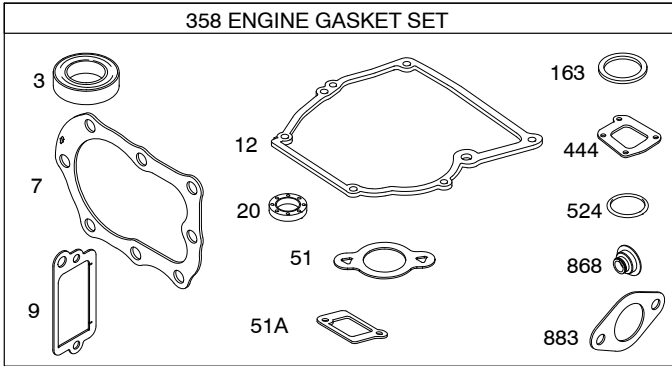
1330 REPAIR MANUAL



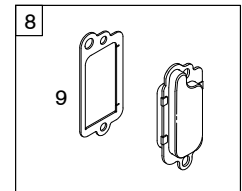
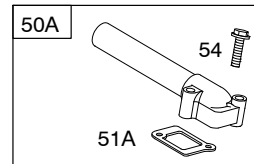
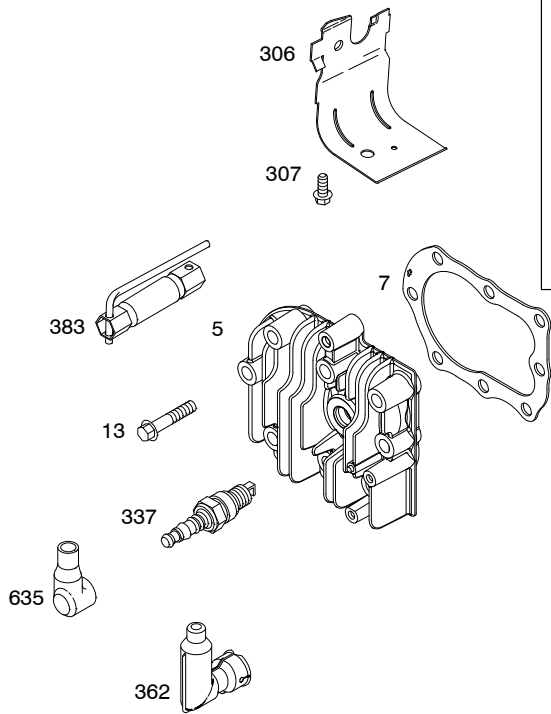
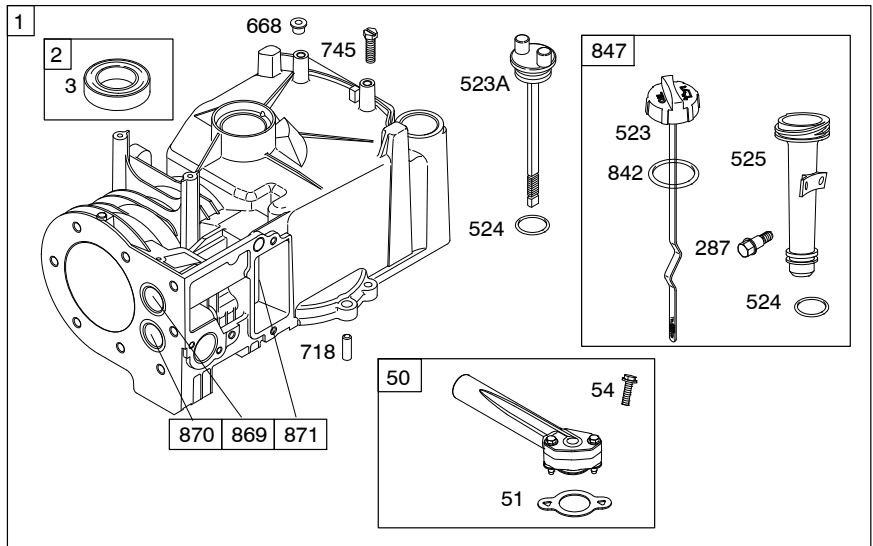
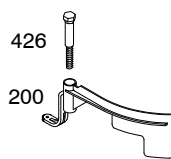
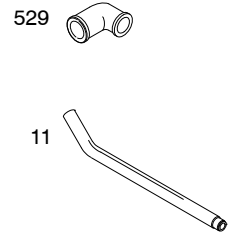
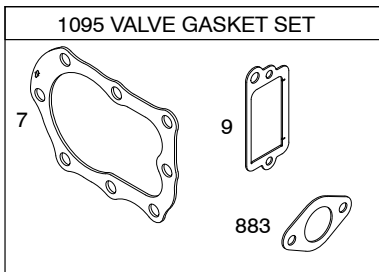
1319 WARNING LABEL

WARNING	
	Read and follow Operating Instructions before running engine.
	Gasoline is flammable. Allow engine to cool at least 2 minutes before refueling.
	Engines emit carbon monoxide, DO NOT run in enclosed area.
	Muffler area temperature may exceed 150°F. Do not touch hot parts.
REQUIRED when replacing parts with warning labels affixed.	

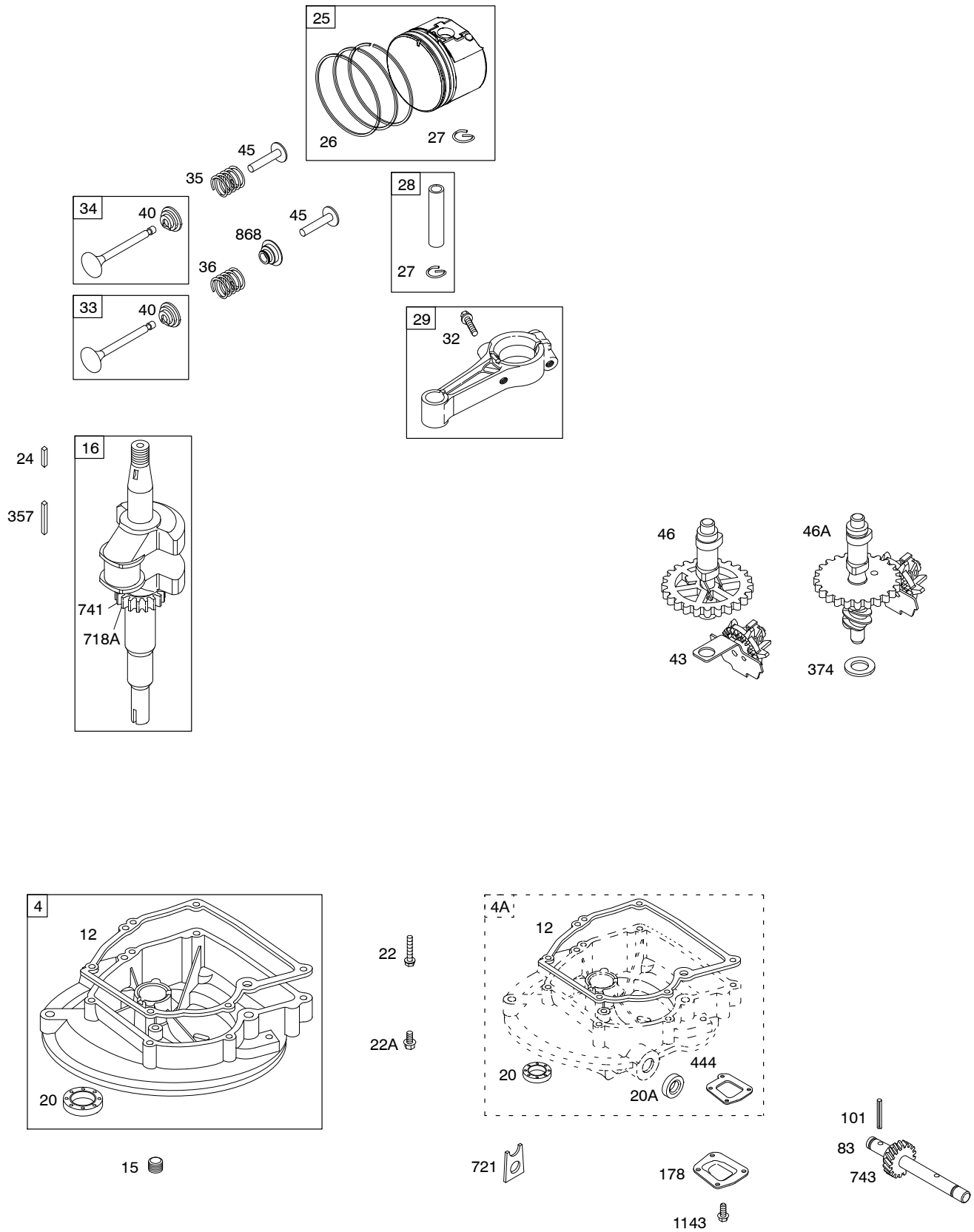
358 ENGINE GASKET SET



1095 VALVE GASKET SET

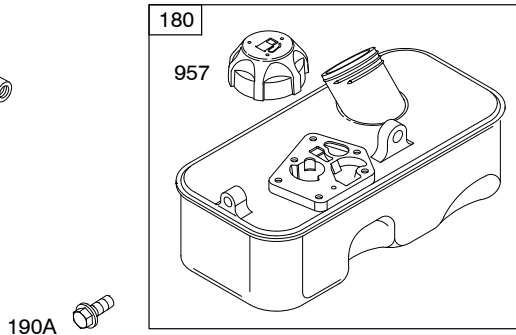
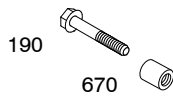
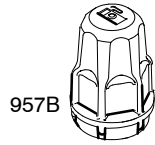
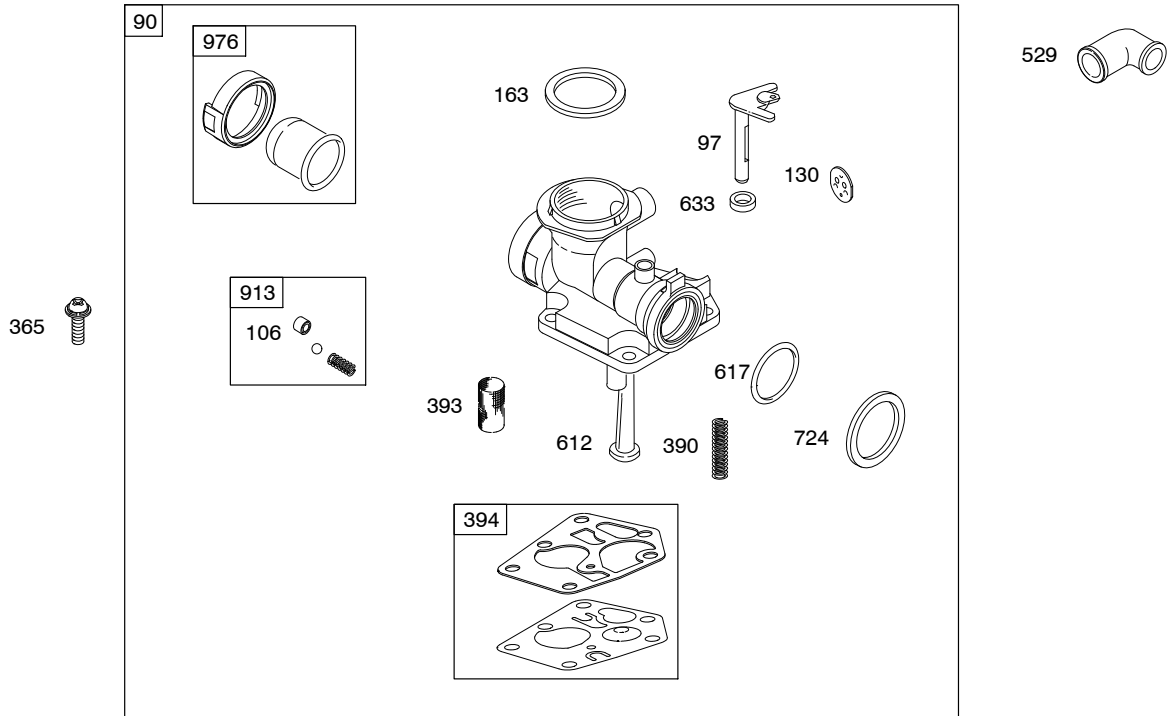


Illustrations cover a range of engines. Parts shown without corresponding text may not be used on your specific engine.
 6379-2 Assemblies include all parts shown in frames. 07/10/2008

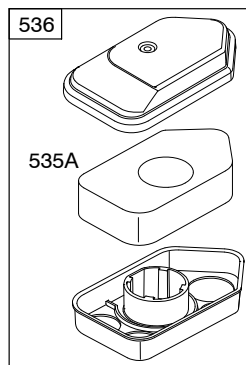
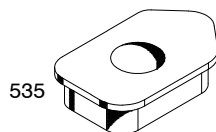
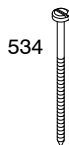
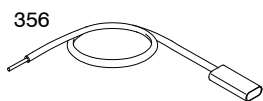
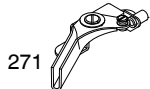
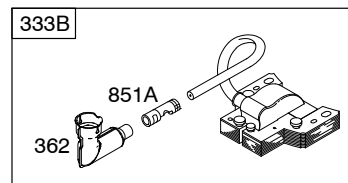
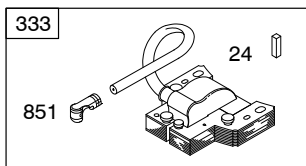
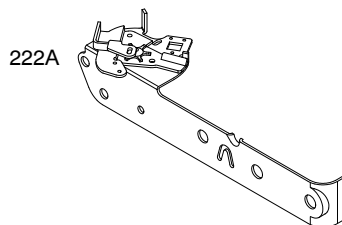
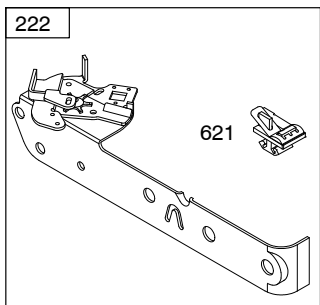


Illustrations cover a range of engines. Parts shown without corresponding text may not be used on your specific engine.
 6379-3 Assemblies include all parts shown in frames. 07/10/2008

10D900

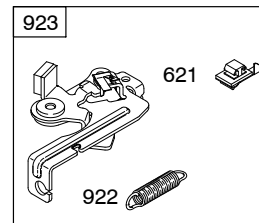
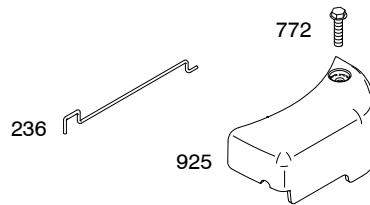
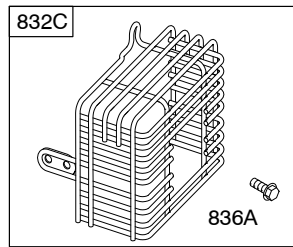
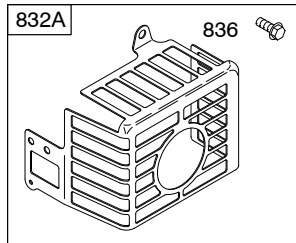
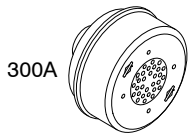
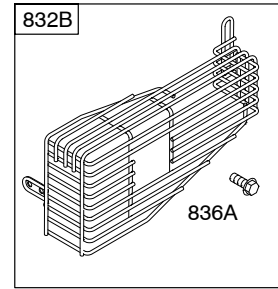
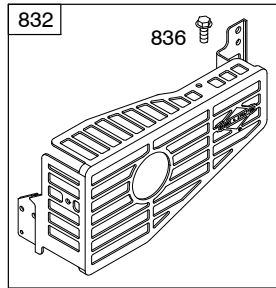
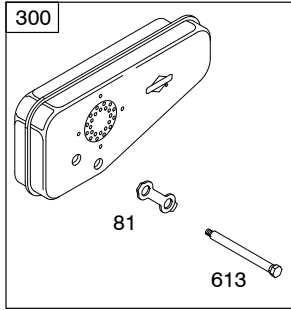


Illustrations cover a range of engines. Parts shown without corresponding text may not be used on your specific engine.
6379-4 Assemblies include all parts shown in frames. 07/10/2008



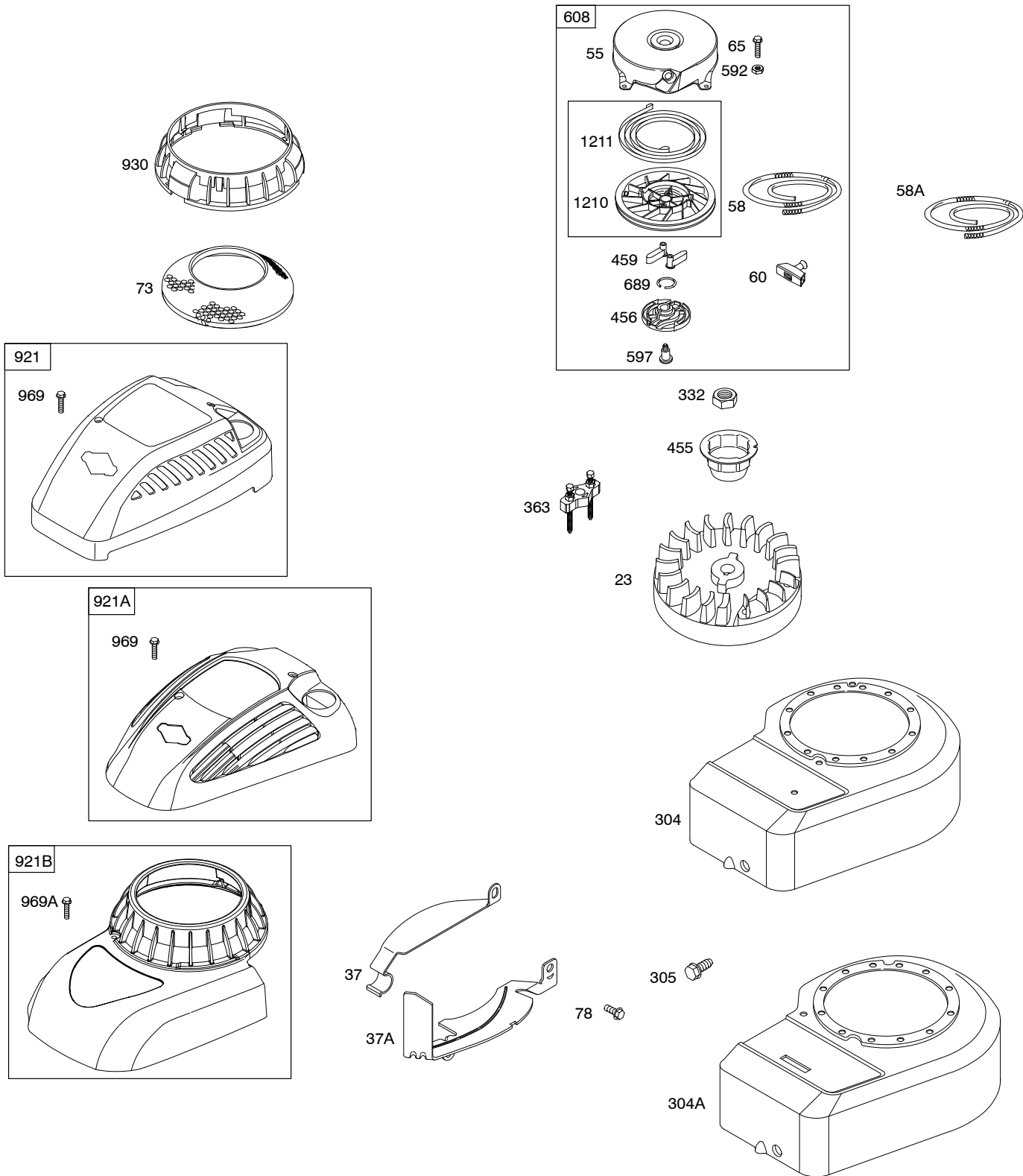
Illustrations cover a range of engines. Parts shown without corresponding text may not be used on your specific engine.
 6379-5 Assemblies include all parts shown in frames. 07/10/2008

10D900



Illustrations cover a range of engines. Parts shown without corresponding text may not be used on your specific engine.
6379-6 Assemblies include all parts shown in frames. 07/10/2008

1036 EMISSIONS LABEL



Illustrations cover a range of engines. Parts shown without corresponding text may not be used on your specific engine.
 6379-7 Assemblies include all parts shown in frames. 07/10/2008

10D900

REF. NO.	PART NO.	DESCRIPTION	REF. NO.	PART NO.	DESCRIPTION	REF. NO.	PART NO.	DESCRIPTION	
1	699653	Cylinder Assembly	15	691680	Plug–Oil Drain	25	790908	Piston Assembly (Standard) (Used After Code Date 04111400).	
2	399269	Kit–Bushing/Seal (Magneto Side)	16	691471	Crankshaft ----- Note -----			----- Note -----	
3	★299819S	Seal–Oil (Magneto Side)		691472	Crankshaft Used on Type No(s). 0116, 0119, 0130, 0131, 0140, 0155, 0159, 0160, 0163, 0164, 0170, 0172, 0181, 0190, 0193, 0198, 0199, 0250, 0251, 0252.			699657 Piston Assembly (Standard) (Used Before Code Date 04111500).	
4	698691	Sump–Engine (Used After Code Date 02111200). ----- Note ----- 395384 Sump–Engine (Used Before Code Date 02111300).		692989	Crankshaft Used on Type No(s). 0133, 0137, 0151, 0167, 0182, 0197, 5000.			792532 Piston Assembly (.020" Oversize) (Used After Code Date 04111400).	
4A		699081 Sump–Engine Used on Type No(s). 0137, 0144. Sump–Engine (NO LONGER AVAILABLE) Used on Type No(s). 0164.		693472	Crankshaft Used on Type No(s). 0144.	26	790909	Ring Set (Standard) (Used After Code Date 04111400). ----- Note -----	
5	790169	Head–Cylinder	20	★391483S	Seal–Oil (PTO Side)			699658 Ring Set (Standard) (Used After Code Date 03093000 and Before Code Date 04111500).	
7	★△698717	Gasket–Cylinder Head	20A	691952	Seal–Oil (PTO Side) Used on Type No(s). 0164.			498680 Ring Set (Standard) (Used Before Code Date 03100100).	
8	791781	Breather Assembly		22	692551	Screw (Crankcase Cover/Sump) (1 1/4" Long)		795134 Ring Set (.020" Oversize) (Used After Code Date 04111400).	
9	★△695890	Gasket–Breather		22A	691108	Screw (Crankcase Cover/Sump) (19/32" Long)		498682 Ring Set (.020" Oversize) (Used Before Code Date 03100100).	
10	691666	Screw (Breather Assembly)		23	795549	Flywheel (Used After Code Date 07121100). ----- Note -----		692009 Flywheel (Used Before Code Date 07121200).	
11	691245	Tube–Breather			690843	Flywheel Used on Type No(s). 0137, 0144, 0150, 5000.		795695 Flywheel Used on Type No(s). 0113, 0120, 0133, 0161, 0162, 0166, 0167, 0174, 0175, 0182, 0186, 0195, 0197, 0254, 0255.	
12	★692218	Gasket–Crankcase (.015" Thick) (Standard) ----- Note ----- ★270895 Gasket–Crankcase (.005" Thick) ★270896 Gasket–Crankcase (.009" Thick)		24	222698S	Key–Flywheel	27	691588	Lock–Piston Pin
13	691640	Screw (Cylinder Head)						498683 Ring Set (.030" Oversize) (Used Before Code Date 03100100).	

★ Engine Gasket Set–Reference 358

△ Valve Gasket Set–Reference 1095

Illustrations cover a range of engines. Parts shown without corresponding text may not be used on your specific engine.
6379–8 Assemblies include all parts shown in frames. 07/10/2008

10D900

REF. NO.	PART NO.	DESCRIPTION	REF. NO.	PART NO.	DESCRIPTION	REF. NO.	PART NO.	DESCRIPTION
28	699659	Pin-Piston (Standard) (Used After Code Date 03093000). ----- Note ----- 298909 Pin-Piston (Standard) (Used Before Code Date 03100100). 298908 Pin-Piston (.005" Oversize) (Used Before Code Date 03080400).	55	692144	Housing-Rewind Starter	209	691297	Spring-Governor (White) Used on Type No(s). 0100, 0116, 0118, 0119, 0132, 0151, 0186, 0250. ----- Note ----- 690251 Spring- Governor (Yellow) Used on Type No(s). 0114, 0117, 0121, 0122, 0127, 0128, 0130, 0135, 0136, 0139, 0140, 0141, 0142, 0145, 0146, 0150, 0161, 0162, 0177, 0183, 0184, 0199, 0255. 691862 Spring- Governor (Dark Green) Used on Type No(s). 0133, 0144, 5000. 690254 Spring- Governor (Light Blue) Used on Type No(s). 0111, 0113, 0120, 0129, 0143, 0147, 0148, 0149, 0152, 0153, 0155, 0157, 0158, 0159, 0160, 0163, 0164, 0166, 0168, 0169, 0170, 0171, 0172, 0173, 0174, 0175, 0176, 0179, 0180, 0181, 0187, 0188, 0189, 0190, 0193, 0195, 0198, 0246, 0251, 0252, 0253, 0254. 690252 Spring- Governor (Pink) Used on Type No(s). 0131. 692211 Spring- Governor (No Color) Used on Type No(s). 0137, 0167, 0182, 0197.
29	699654	Rod-Connecting	60	691915	Grip-Starter Rope			
32	691664	Screw (Connecting Rod)	65	690837	Screw (Rewind Starter)			
33	296676	Valve-Exhaust	73	699850	Screen-Rotating			
34	296677	Valve-Intake	78	692198	Screw (Flywheel Guard)			
35	690520	Spring-Valve (Intake)	81	691179	Lock-Muffler Screw			
36	690520	Spring-Valve (Exhaust)	83	691240	Shaft-Auxiliary Drive Used on Type No(s). 0164.			
37	690482	Guard-Flywheel (Carburetor Side)	90	498811	Carburetor ----- Note ----- 794147 Carburetor Used on Type No(s). 0111, 5000.			
37A	691209	Guard-Flywheel (Muffler Side)	97	691931	Shaft-Throttle			
40	692194	Retainer-Valve	101	691623	Pin-Shaft Used on Type No(s). 0164.			
43	698690	Slinger-Governor/Oil (Used After Code Date 02110400). ----- Note ----- 691983 Slinger- Governor/Oil (Used Before Code Date 02110500).	106	691901	Seat-Inlet			
45	691762	Tappet-Valve	130	691190	Valve-Throttle			
46	691998	Camshaft	163	★271139S	Gasket-Air Cleaner			
46A	690644	Camshaft (Counterclockwise) Used on Type No(s). 0164.	178	690398	Cover-Drive Gear Used on Type No(s). 0164.			
50	699644	Manifold-Intake (Used After Code Date 03080300).	180	494406	Tank-Fuel			
50A	693446	Manifold-Intake (Used Before Code Date 03080400).	188	692198	Screw (Control Bracket)			
51	★699649	Gasket-Intake (Used After Code Date 03080300).	190	691640	Screw (Fuel Tank) (1 3/4" Long)			
51A	270345S	Gasket-Intake (Used Before Code Date 03080400).	190A	691108	Screw (Fuel Tank) (9/16" Long)			
54	691111	Screw (Intake Manifold)	200	691912	Blade-Governor			
			201	690347	Link-Air Vane			
						211	691859	Spring-Governed Idle

★ Engine Gasket Set-Reference 358

△ Valve Gasket Set-Reference 1095

Illustrations cover a range of engines. Parts shown without corresponding text may not be used on your specific engine.
6379-9 **Assemblies include all parts shown in frames.** 07/10/2008

10D900

REF. NO.	PART NO.	DESCRIPTION	REF. NO.	PART NO.	DESCRIPTION	REF. NO.	PART NO.	DESCRIPTION
222	691445	Bracket–Control Used on Type No(s). 0113, 0114, 0116, 0117, 0118, 0119, 0120, 0127, 0131, 0132, 0133, 0136, 0137, 0139, 0140, 0144, 0150, 0161, 0162, 0166, 0167, 0174, 0175, 0177, 0182, 0183, 0184, 0186, 0195, 0197, 0254, 0255, 5000.	271	691028	Lever–Control	333	793281	Armature–Magneto
			287	691002	Screw (Dipstick Tube)	333B	793352	Armature–Magneto (Snap In Spark Plug Boot) Used on Type No(s). 0111, 0113, 0114, 0120B2, 0139, 0140, 0162, 0166, 0168, 0179, 0180, 0181, 0186, 0187, 0188, 0189, 0190, 0193, 0195, 0197, 0198, 0199, 0253, 0254, 0255.
			300	692307	Muffler (Super Lo Tone)			
			300A	394569S	Muffler (Round Lo Tone)			
			304	691484	Housing–Blower (Compliance Engines) ----- Note ----- 692536 Housing– Blower (Non Compliance Engines)			
222A	691446	Bracket–Control Used on Type No(s). 0100, 0111, 0121, 0122, 0128, 0129, 0130, 0135, 0136, 0141, 0142, 0143, 0145, 0146, 0147, 0148, 0149, 0151, 0152, 0153, 0155, 0157, 0158, 0159, 0160, 0163, 0164, 0168, 0169, 0170, 0171, 0172, 0173, 0176, 0179, 0180, 0181, 0187, 0188, 0189, 0190, 0193, 0198, 0199, 0246, 0250, 0251, 0252, 0253.	304A	694236	Housing–Blower (Compliance Engines) Used on Type No(s). 0145, 0147, 0157, 0158, 0159, 0160, 0169, 0171, 0172, 0173, 0176, 0180, 0181, 0187, 0188, 0189, 0190, 0193, 0198, 0199, 0252, 0253. ----- Note ----- 694051 Housing– Blower (Non Compliance Engines) Used on Type No(s). 0113, 0114, 0162, 0175, 0177, 0183, 0184.	334	691061	Screw (Magneto Armature) (1" Long)
						335	691107	Screw (Magneto Armature With Air Vane) (1 15/16" Long)
						337	697451	Plug–Spark ----- Note ----- 802592s Plug–Spark Used on Type No(s). 0111, 0113, 0114, 0116, 0118, 0119, 0120E1, 0120B2, 0129, 0133, 0135, 0137, 0139, 0140, 0144, 0145, 0151, 0162, 0166, 0168, 0179, 0180, 0181, 0186, 0187, 0188, 0189, 0190, 0193, 0195, 0197, 0198, 0199, 0253, 0254, 0255, 5000.
236	691867	Link–Lockout Used on Type No(s). 0118, 0119, 0132, 0139, 0140.	305	692198	Screw (Blower Housing)	356	692390	Wire–Stop
265	692179	Clamp–Casing Used on Type No(s). 0136, 0146, 0150, 0166, 0183, 0184.	306	690400	Shield–Cylinder (Used Before Code Date 04071400).	357	692191	Key–Drive Pulley Used on Type No(s). 0197.
265A	690798	Clamp–Casing	307	690345	Screw (Cylinder Shield) (Used Before Code Date 04071400).			
265B	691024	Clamp–Casing Used on Type No(s). 0116.	332	690662	Nut (Flywheel)			
267	691044	Screw (Casing Clamp)						
268	691025	Casing–Control Wire (72" Long) (Cut To Required Length)						
269	691026	Wire–Control (78" Long) (Cut To Required Length)						
270	691027	Nut (Control Wire Casing)						

★ Engine Gasket Set–Reference 358

△ Valve Gasket Set–Reference 1095

Illustrations cover a range of engines. Parts shown without corresponding text may not be used on your specific engine.
6379–10 Assemblies include all parts shown in frames. 07/10/2008

10D900

REF. NO.	PART NO.	DESCRIPTION	REF. NO.	PART NO.	DESCRIPTION	REF. NO.	PART NO.	DESCRIPTION		
358	794209	Gasket Set–Engine	608	499706	Starter–Rewind (88 5/8" Rope)	832	699299	Guard–Muffler		
362	793351	Shield–Spark Plug			----- Note -----	832A	699670	Guard–Muffler		
363	19069	Puller–Flywheel				832B	790743	Guard–Muffler		
365	790029	Screw (Carburetor)			690101 Starter– Rewind	832C	790744	Guard–Muffler		
374	691074	Washer (Camshaft) Used on Type No(s). 0164.			(70" Rope) Used on Type No(s). 0113, 0114, 0133, 0137, 0144, 0150, 0161, 0162, 0166, 0167, 0174, 0175, 0177, 0182, 0197, 0254, 0255, 5000.			Used on Type No(s). 0181, 0246, 0251.		
383	89838S	Wrench–Spark Plug				836	690664	Screw (Muffler Guard) (13/32" Long)		
390	691839	Spring–Choke Diaphragm				836A	790745	Screw (Muffler Guard) (1/2" Long)		
393	691837	Screen–Carburetor	612	496046S	Tube–Pick Up	836B	691125	Screw (Muffler Guard) (5/8" Long) (Used After Code Date 04082200).		
394	795083	Diaphragm–Carburetor (Used After Code Date 07080800). ----- Note ----- 495770 Diaphragm– Carburetor (Used Before Code Date 07080900).	613	691413	Screw (Muffler)			842	★691870	Seal–O Ring (Dipstick Tube)
			617	270344S	Seal–O Ring (Intake Manifold)			847	691440	Dipstick/Tube Assembly
			621	692310	Switch–Stop			851	493880S	Terminal–Spark Plug
			633	691321	Seal–Choke/Throttle Shaft (Throttle)			851A	692424	Terminal–Spark Plug
426	691107	Screw (Governor Blade)	635	66538S	Boot–Spark Plug			868	697338	Seal–Valve
444	★691868	Gasket–Drive Gear Cover	643	691911	Retainer–Air Filter (Used Before Code Date 02110600).			869	699641	Seat–Valve (Intake) (Used After Code Date 03080300). ----- Note -----
455	691236	Cup–Flywheel	668	692889	Spacer (Cylinder)					691701 Seat–Valve (Intake) (Used Before Code Date 03080400).
456	692299	Plate–Pawl Friction	670	691633	Spacer–Fuel Tank					
459	281505S	Pawl–Ratchet	689	691855	Spring–Friction					
523	692040	Dipstick	718	690959	Pin–Locating (Cylinder)					
523A	691913	Dipstick	718A	499047	Pin–Locating (Crankshaft)			870	699642	Seat–Valve (Exhaust) (Used After Code Date 03080300). ----- Note -----
524	★691876	Seal–Dipstick Tube								691702 Seat–Valve (Exhaust) (Used Before Code Date 03080400).
525	691320	Tube–Dipstick								
529	692189	Grommet	721	690397	Stop–Shaft Used on Type No(s). 0164.					
534	691417	Screw (Air Cleaner)	724	697478	Retainer–Seal					
535	272235S	Filter–Air Cleaner Foam (Used Before Code Date 02110600).	729	690586	Clip–Wire					
535A	698369	Filter–Air Cleaner Foam (Used After Code Date 02110500).	741	691805	Gear–Timing					
			743	691772	Gear–Drive Used on Type No(s). 0164.					
536	698472	Cleaner–Air	745	691146	Screw (Brake) (7/8" Long)					
578	398153	Wire Assembly Used on Type No(s). 0118, 0119, 0132, 0136, 0139, 0140.	745A	690859	Screw (Brake) (1/2" Long)					
592	690800	Nut (Rewind Starter)	772	691111	Screw (Linkage Cover) (1 1/8" Long)					
597	691696	Screw (Pawl Friction Plate)								

★ Engine Gasket Set–Reference 358

△ Valve Gasket Set–Reference 1095

Illustrations cover a range of engines. Parts shown without corresponding text may not be used on your specific engine.
6379–11 **Assemblies include all parts shown in frames.** 07/10/2008

10D900

REF. NO.	PART NO.	DESCRIPTION	REF. NO.	PART NO.	DESCRIPTION	REF. NO.	PART NO.	DESCRIPTION
871	699643	Bushing-Valve Guide (Exhaust) (Used After Code Date 03080300). ----- Note ----- 231348 Bushing-Valve Guide (Exhaust) (Used Before Code Date 03080400). 63709 Bushing-Valve Guide (Intake)	921B	699796	Cover-Blower Housing Used on Type No(s). 0113, 0114, 0189, 0190, 0198, 0199.	969A	692523	Screw (Blower Housing Cover) (2/3" Long) Used on Type No(s). 0113, 0114, 0189, 0190, 0198, 0199.
883	★△691880	Gasket-Exhaust	922	692135	Spring-Brake	976	694394	Primer-Carburetor
913	494409	Seat-Check Valve	923	691487	Brake	1036		Label-Emissions (Available From A Briggs & Stratton Authorized Dealer)
921	694044	Cover-Blower Housing Used on Type No(s). 0171, 0172, 0175, 0177, 0180, 0183.	925	691349	Cover-Linkage	1058	277038	Operator's Manual
921A	793973	Cover-Blower Housing Used on Type No(s). 0173, 0181, 0184, 0193, 0252, 0253.	930	691348	Guard-Rewind	1095	498526	Gasket Set-Valve
			957	497929S	Cap-Fuel Tank (Black) ----- Note ----- 692050 Cap-Fuel Tank (Red) Used on Type No(s). 0151.	1143	691141	Screw (Drive Gear Cover)
			957A	791129	Cap-Fuel Tank Used on Type No(s). 0133, 0137, 0144, 0167, 0182, 0186 0197, 5000.	1210	499901	Pulley/Spring Assembly (Pulley)
			957B	792878	Cap-Fuel Tank	1211	499901	Pulley/Spring Assembly (Spring)
			969	694046	Screw (Blower Housing Cover)	1319	794467	Label-Warning
						1330	270962	Repair Manual

★ Engine Gasket Set-Reference 358

△ Valve Gasket Set-Reference 1095

Illustrations cover a range of engines. Parts shown without corresponding text may not be used on your specific engine.
6379-12 Assemblies include all parts shown in frames. 07/10/2008