



## *Illustrated Parts List*

Pressure Washer / Lavadora de Presión

Model / Modelo 020416-0



This pressure washer is rated in accordance to the Pressure Washer Manufacture Association (PWMA) standard PW101 (Testing and Rating Performance of Pressure Washers).

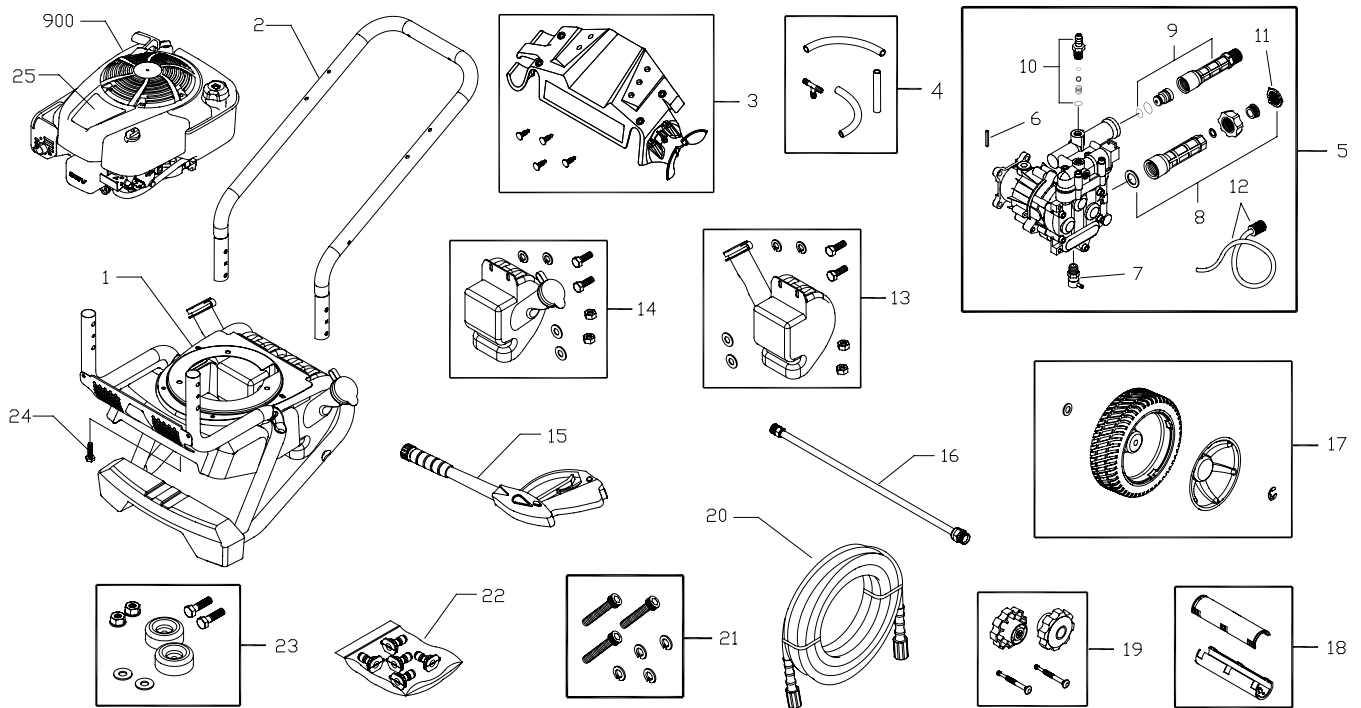
Questions? Preguntas?  
Helpline - 1-888-611-6708 M-F 8-5 CT

Troy-Bilt® is a registered trademark of MTD Products Inc and is used under license to Briggs & Stratton Power Products.  
Troy-Bilt® es una marca registrada de MTD y se usa abajo licencia a Briggs & Stratton Power Products

**Briggs & Stratton Power Products group, LLC**  
**Jefferson, Wisconsin, U.S.A.**

IPL 312172 Revision A (03/02/2010)

# Exploded View and Parts List — Main Unit



Item	Part #	Description	Item	Part #	Description
1	312100GS	BASE	20	311528GS	HOSE
2	310628BWGS	HANDLE	21	192131GS	KIT-HARDWARE PUMP MOUNTING
3	310857GS	BILLBOARD	22	311311GS	KIT-QC NOZZLES
	195964GS	KIT-TREE CLIPS		195983ANGS	NOZZLE-QC RED
4	208728GS	HOSE-CHEMICAL		195983QGS	NOZZLE-QC GREEN
5	206376GS	PUMP		195983RGS	NOZZLE-QC WHITE
6	23139DGS	KEY		195983APGS	NOZZLE-QC CYAN
7	208673GS	VALVE-THERMAL RELIEF		195983AQGS	NOZZLE-QC MAGENTA
8	206374GS	KIT-WATER INLET	23	192310GS	MOUNT-VIBRATION
9	206375GS	KIT-WATER OUTLET	24	75246GS	TAPTITE
10	190593GS	KIT-CHEMICAL INJ	25	310865GS	DECAL
11	B2384GS	FILTER-GARDEN HOSE	900	§	ENGINE
12	189971GS	HOSE-CHEMICAL			
13	310821GS	TANK-CHEMICAL			
	310806GS	CAP-CHEMICAL TANK			
	310333GS	KIT-FUEL VALVE			
14	310820GS	TANK-CHEMICAL			
	310805GS	CAP-CHEMICAL TANK			
	310333GS	KIT-FUEL VALVE			
15	209094GS	GUN			
16	200595GS	EXTENSION-QC			
17	202477GS	KIT-WHEEL			
	200519GS	HUBCAP			
	192050GS	E-RING			
18	311969GS	GRIP			
19	312099GS	KIT-HARDWARE HANDLE			

<b>Items Not Illustrated</b>		
310851GS	MANUAL-OPERATOR'S	
BB3061BGS	OIL BOTTLE	
310983GS	DECAL-Unit	
311247GS	DECAL-Gun	
311807GS	AXLE	
194256GS	TAG-WARNING	
<b>Optional Accessories</b>		
6039	PUMP SAVER	
6048	O-RING MAINTENANCE	

§ - Contact Engine Manufacturer

Copyright © 2010 Briggs & Stratton Power Products Group, LLC. All rights reserved. No part of this material may be reproduced or transmitted in any form without the express written permission of Briggs & Stratton Power Products Group, LLC.