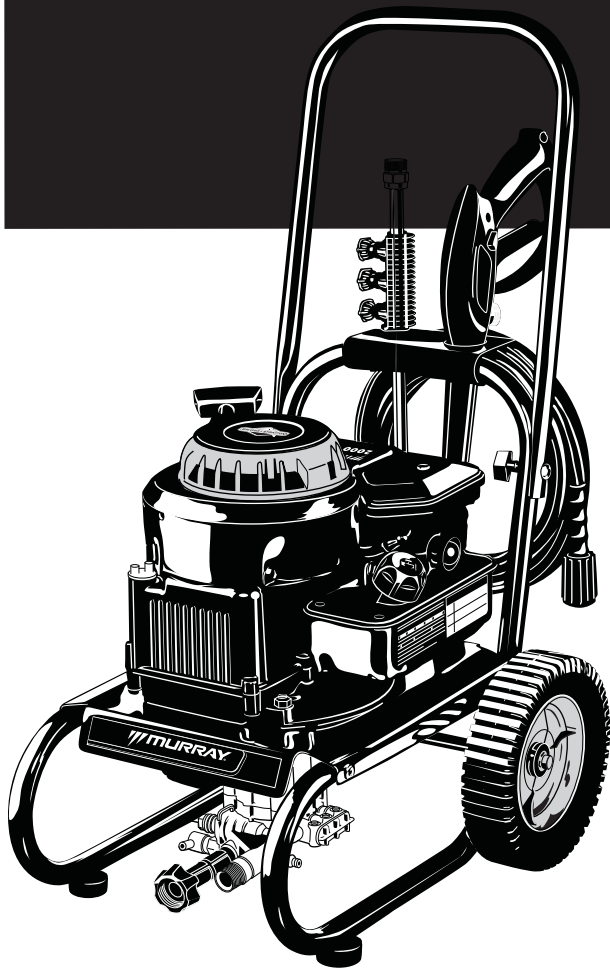




# OPERATOR'S MANUAL



## Pressure Washer



Before returning this product for any reason please contact us at:

 **1-800-528-5087**

 **www.murray.com**



This pressure washer is rated in accordance to the Pressure Washer Manufacturer's Association (PWMA) standard PW101 (Testing and Rating Performance of Pressure Washers).

**BRIGGS & STRATTON POWER PRODUCTS GROUP, LLC**  
**JEFFERSON, WISCONSIN, U.S.A.**

Manual No. 208882GS Revision A (01/14/2009)



0 24847 70355 9

**Thank you** for purchasing this quality-built Briggs & Stratton pressure washer. We are pleased that you've placed your confidence in the Murray brand. When operated and maintained according to the instructions in this manual, your Briggs & Stratton pressure washer will provide many years of dependable service.

**This manual contains** safety information to make you aware of the hazards and risks associated with pressure washers and how to avoid them. Because Briggs & Stratton does not necessarily know all the applications this pressure washer could be used for, it is important that you read and understand these instructions thoroughly before attempting to start or operate this equipment. **Save these instructions for future reference.**

**This pressure washer requires final assembly before use.** Refer to the *Assembly* section of this manual for instructions on final assembly procedures. Follow the instructions completely.

### Where to Find Us

You never have to look far to find Briggs & Stratton support and service for your pressure washer. Consult your Yellow Pages. There are over 30,000 Briggs & Stratton authorized service dealers worldwide who provide quality service. You can also contact Briggs & Stratton Customer Service by phone at **(800) 528-5087**, or on the Internet at [www.murray.com](http://www.murray.com).

### Pressure Washer

Model Number

--	--	--	--	--	--	--

Revision

--	--

Serial Number

--	--	--	--	--	--	--	--	--	--	--	--	--	--	--

### Engine

Model Number

--	--	--	--	--	--	--

Type Number

--	--	--	--	--	--	--

Code Number

--	--	--	--	--	--	--	--	--	--	--	--	--	--	--	--	--	--	--	--

### Date Purchased

--	--	--	--	--	--

MURRAY is a trademark of Briggs & Stratton Power Products Group, LLC.

Briggs & Stratton Power Products Group, LLC  
900 North Parkway  
Jefferson, WI 53549

Copyright © 2009 Briggs & Stratton Power Products Group, LLC. All rights reserved. No part of this material may be reproduced or transmitted in any form by any means without the express written permission of Briggs & Stratton Power Products Group, LLC.

# Table of Contents

<b>Operator Safety</b> .....	<b>4</b>
Equipment Description .....	4
Important Safety Information .....	4
<b>Assembly</b> .....	<b>7</b>
Unpack Pressure Washer .....	7
Attach Handle and Accessory Tray .....	7
Add Engine Oil .....	8
Add Fuel .....	8
Connect Hose and Water Supply to Pump .....	9
<b>Features and Controls</b> .....	<b>10</b>
<b>Operation</b> .....	<b>11</b>
Pressure Washer Location .....	11
How to Start Your Pressure Washer .....	11
How to Stop Your Pressure Washer .....	13
How to Use Accessory Tray .....	13
How to Use Spray Tips .....	13
Applying Detergent .....	14
Pressure Washer Rinsing .....	14
Cleaning Detergent Siphoning Tube .....	14
Automatic Cool Down System (Thermal Relief) .....	14
<b>Maintenance</b> .....	<b>15</b>
Maintenance Schedule .....	15
Pressure Washer Maintenance .....	15
Engine Maintenance .....	17
After Each Use .....	19
Winter Storage .....	20
Long Term Storage .....	20
<b>Troubleshooting</b> .....	<b>21</b>
<b>Warranties</b> .....	<b>22</b>
Emissions Control System Warranty .....	22
Pressure Washer Owner Warranty .....	24
<b>Specifications</b> .....	<b>26</b>
Product Specifications .....	26
Common Service Parts .....	26

# Operator Safety

## Equipment Description



**Read this manual carefully and become familiar with your pressure washer. Know its applications, its limitations, and any hazards involved.**

This pressure washer operates at 2,000 PSI at a flow rate of 1.9 gallons per minute. This high quality residential system features 8" wheels, axial cam pump with stainless steel pistons, automatic cool down system, detergent siphoning system, nozzle extension with quick connect and spray tip holder, quick connect spray tips, heavy duty 25' hose, and more. See [OUTDOORCLEANING.COM](http://OUTDOORCLEANING.COM) for more product details.

Every effort has been made to ensure that information in this manual is accurate and current. However, we reserve the right to change, alter, or otherwise improve the product and this document at any time without prior notice.

The Emission Control System for this pressure washer is warranted for standards set by the Environmental Protection Agency and the California Air Resources Board.

# Important Safety Information

## Safety Symbols and Meanings



Toxic Fumes



Kickback



Electrical Shock



Slippery Surface



Fall



Fluid Injection



Fire



Explosion



Operator's Manual



Moving Parts



Flying Objects



Hot Surface

**▲** The safety alert symbol indicates a potential personal injury hazard. A signal word (DANGER, WARNING, or CAUTION) is used with the alert symbol to designate a degree or level of hazard seriousness. A safety symbol may be used to represent the type of hazard. The signal word **NOTICE** is used to address practices not related to personal injury.

**▲ DANGER** indicates a hazard which, if not avoided, *will* result in death or serious injury.

**▲ WARNING** indicates a hazard which, if not avoided, *could* result in death or serious injury.

**▲ CAUTION** indicates a hazard which, if not avoided, *could* result in minor or moderate injury.

**NOTICE** address practices not related to personal injury.

**▲ WARNING:** The engine exhaust from this product contains chemicals known to the State of California to cause cancer, birth defects, or other reproductive harm.

**▲ WARNING:** This product contains lead and lead compounds, known to the State of California to cause birth defects or other reproductive harm. *Wash your hands after handling this product.*

**▲ WARNING:** Running engine gives off carbon monoxide, an odorless, colorless, poison gas. Breathing carbon monoxide can cause headache, fatigue, dizziness, vomiting, confusion, seizures, nausea, fainting or death. Some chemicals or detergents may be harmful if inhaled or ingested, causing severe nausea, fainting, or poisoning.



- Operate pressure washer ONLY outdoors.
- Keep exhaust gas from entering a confined area through windows, doors, ventilation intakes, or other openings.
- DO NOT start or run engine indoors or in an enclosed area, even if windows and doors are open.
- Use a respirator or mask whenever there is a chance that vapors may be inhaled.
- Read all instructions with mask so you are certain the mask will provide the necessary protection against inhaling harmful vapors.

**▲ WARNING:** Risk of electrocution. Contact with power source can cause electric shock or burn.



- NEVER spray near power source.

**▲ WARNING:** Contact with muffler area can result in serious burns. Exhaust heat/gases can ignite combustibles, structures or damage fuel tank causing a fire.



- DO NOT touch hot parts and AVOID hot exhaust gases.
- Allow equipment to cool before touching.
- Keep at least 5 feet (152 cm) of clearance on all sides of pressure washer including overhead.
- It is a violation of California Public Resource Code, Section 4442, to use or operate the engine on any forest-covered, brush-covered, or grass-covered land unless the exhaust system is equipped with a spark arrester, as defined in Section 4442, maintained in effective working order. Other states or federal jurisdictions may have similar laws. Contact the original equipment manufacturer, retailer, or dealer to obtain a spark arrester designed for the exhaust system installed on this engine.
- Replacement parts must be the same and installed in the same position as the original parts.

**▲ WARNING:** Fuel and its vapors are extremely flammable and explosive. Fire or explosion can cause severe burns or death.



#### WHEN ADDING OR DRAINING FUEL

- Turn pressure washer OFF and let it cool at least 2 minutes before removing fuel cap. Loosen cap slowly to relieve pressure in tank.
- Fill or drain fuel tank outdoors.
- DO NOT overfill tank. Allow space for fuel expansion.
- If fuel spills, wait until it evaporates before starting engine.
- Keep fuel away from sparks, open flames, pilot lights, heat, and other ignition sources.
- DO NOT light a cigarette or smoke.

#### WHEN STARTING EQUIPMENT

- Ensure spark plug, muffler, fuel cap, and air cleaner are in place.
- DO NOT crank engine with spark plug removed.

#### WHEN OPERATING EQUIPMENT

- DO NOT tip engine or equipment at angle which causes fuel to spill.
- DO NOT spray flammable liquids.

#### WHEN TRANSPORTING OR REPAIRING EQUIPMENT

- Transport/repair with fuel tank EMPTY or with fuel shutoff valve OFF.
- Disconnect spark plug wire.

#### WHEN STORING FUEL OR EQUIPMENT WITH FUEL IN TANK

- Store away from furnaces, stoves, water heaters, clothes dryers, or other appliances that have pilot light or other ignition source because they can ignite fuel vapors.

**▲ WARNING:** Use of pressure washer can create puddles and slippery surfaces. Kickback from spray gun can cause you to fall.



- Operate pressure washer from a stable surface.
- The cleaning area should have adequate slopes and drainage to reduce the possibility of a fall due to slippery surfaces.
- Be extremely careful if you must use the pressure washer from a ladder, scaffolding, or any other similar location.
- Firmly grasp spray gun with both hands when using high pressure spray to avoid injury when spray gun kicks back.

**▲ WARNING:** Starter cord kickback (rapid retraction) can result in bodily injury. Kickback will pull hand and arm toward engine faster than you can let go. Broken bones, fractures, bruises, or sprains could result.



- NEVER pull starter cord without first relieving spray gun pressure.
- When starting engine, pull cord slowly until resistance is felt and then pull rapidly to avoid kickback.
- After each starting attempt, where engine fails to run, always point spray gun in safe direction, press red button and squeeze spray gun trigger to release high pressure.
- Firmly grasp spray gun with both hands when using high pressure spray to avoid injury when spray gun kicks back.

**▲ WARNING:** The high pressure stream of water that this equipment produces can cut through skin and its underlying tissues, leading to serious injury and possible amputation.



Spray gun traps high water pressure, even when engine is stopped and water is disconnected, which can cause injury.

- DO NOT allow CHILDREN to operate pressure washer.
- NEVER repair high pressure hose. Replace it.
- NEVER repair leaking connections with sealant of any kind. Replace o-ring or seal.
- NEVER connect high pressure hose to nozzle extension.
- Keep high pressure hose connected to pump and spray gun while system is pressurized.
- ALWAYS point spray gun in safe direction, press red button and squeeze spray gun trigger to release high pressure, every time you stop engine.
- NEVER aim spray gun at people, animals, or plants.
- DO NOT secure spray gun in open position.
- DO NOT leave spray gun unattended while machine is running.
- NEVER use a spray gun which does not have a trigger lock or trigger guard in place and in working order.
- Always be certain spray gun, nozzles and accessories are correctly attached.

**▲ WARNING:** Unintentional sparking can result in fire or electric shock.



#### WHEN ADJUSTING OR MAKING REPAIRS TO YOUR PRESSURE WASHER

- Disconnect the spark plug wire from the spark plug and place the wire where it cannot contact spark plug.

#### WHEN TESTING FOR ENGINE SPARK

- Use approved spark plug tester.
- DO NOT check for spark with spark plug removed.

**▲ WARNING:** Starter and other rotating parts can entangle hands, hair, clothing, or accessories.



- NEVER operate pressure washer without protective housing or covers.
- DO NOT wear loose clothing, jewelry or anything that may be caught in the starter or other rotating parts.
- Tie up long hair and remove jewelry.

**▲ WARNING:** Risk of eye injury.  
Spray can splash back or propel objects.



- Always wear indirect vented (chemical splash) safety goggles marked to comply with ANSI Z87.1 when using or in vicinity of this equipment.
- NEVER substitute safety glasses or dry-condition goggles for indirect vented safety goggles.

**NOTICE:** High pressure spray may damage fragile items including glass.

- DO NOT point spray gun at glass when using red (0°) spray tip.
- NEVER aim spray gun at plants.

**NOTICE:** Improper treatment of pressure washer can damage it and shorten its life.

- If you have questions about intended use, ask dealer or contact qualified service center.
- NEVER operate units with broken or missing parts, or without protective housing or covers.
- DO NOT by-pass any safety device on this machine.
- DO NOT tamper with governed speed.
- DO NOT operate pressure washer above rated pressure.
- DO NOT modify pressure washer in any way.
- Before starting pressure washer in cold weather, check all parts of the equipment to be sure ice has not formed there.
- NEVER move machine by pulling on hoses. Use handle provided on unit.
- Check fuel system for leaks or signs of deterioration, such as chafed or spongy hose, loose or missing clamps, or damaged tank or cap. Correct all defects before operating pressure washer.
- This equipment is designed to be used with Briggs & Stratton Power Products authorized parts **ONLY**. If equipment is used with parts that DO NOT comply with minimum specifications, user assumes all risks and liabilities.

# Assembly



**Read entire operator's manual before you attempt to assemble or operate your new pressure washer.**

Your pressure washer requires some assembly and is ready for use after it has been properly serviced with the recommended oil and fuel.

If you have any problems with the assembly of your pressure washer, please call the pressure washer helpline at **(800) 528-5087**. If calling for assistance, please have the model, revision, and serial number from the identification label available.

## Unpack Pressure Washer

1. Remove the parts bag, accessories, and inserts included with pressure washer.
2. Open carton completely by cutting each corner from top to bottom.
3. Ensure you have all included items prior to assembly.

### Items in the carton include:

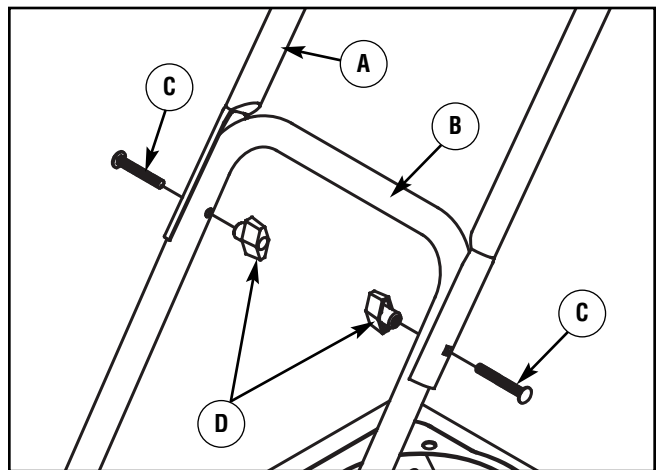
- Main Unit
- Handle
- High Pressure Hose
- Spray Gun
- Nozzle Extension with Quick Connect and Spray Tip Holder
- Oil Bottle
- Parts Bag (which includes the following):
  - Operator's Manual
  - Owner's Registration Card
  - Bag containing 3 Multi-Colored Spray Tips
  - Handle Fastening Hardware Kit (which includes):
    - Carriage Bolts (2)
    - Plastic Knobs (2)
    - Tree Clips (2)

**To prepare your pressure washer for operation, you will need to perform these tasks:**

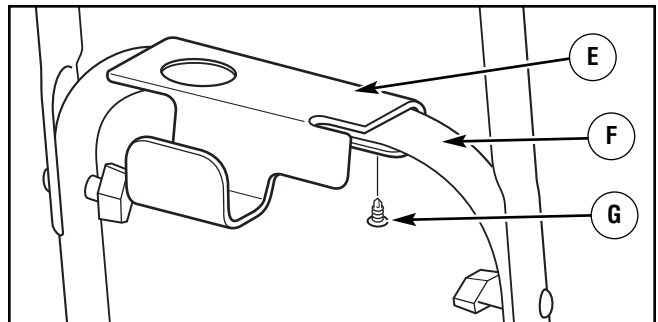
1. Fill out and send in registration card.
2. Attach handle and accessory tray to main unit.
3. Add oil to engine crankcase.
4. Add fuel to fuel tank.
5. Connect high pressure hose to spray gun and pump.
6. Connect water supply to pump.
7. Attach nozzle extension to spray gun.
8. Select/attach quick connect spray tip to nozzle extension.

## Attach Handle and Accessory Tray

1. Place handle (A) onto base (B). Make sure holes in handle align with holes on base.



2. Insert carriage bolts (C) through holes from outside of unit and attach a plastic knob (D) from inside of unit. Tighten by hand.
3. Place accessory tray (E) over base (F) (viewing from rear of unit). Make sure holes in accessory tray align with holes on base. Push the tree clips (G) into the holes until they sit flat against the accessory tray.



4. Insert supplied accessories in spaces provided in accessory tray. See *How to Use Accessory Tray*.

## Add Engine Oil

1. Place pressure washer on a flat, level surface.
2. Clean area around oil fill and remove yellow oil fill cap/dipstick.
3. Using oil funnel (optional), slowly pour contents of provided oil bottle into oil fill opening.

**NOTICE:** Improper treatment of pressure washer can damage it and shorten its life.

- DO NOT attempt to crank or start the engine before it has been properly serviced with the recommended oil. This may result in an engine failure.

4. Replace oil fill cap/dipstick and fully tighten.

## Add Fuel

### Fuel must meet these requirements:

- Clean, fresh, unleaded gasoline.
- A minimum of 87 octane/87 AKI (91 RON). High altitude use, see *High Altitude*.
- Gasoline with up to 10% ethanol (gasohol) or up to 15% MTBE (methyl tertiary butyl ether) is acceptable.

**NOTICE:** Avoid pressure washer damage.

Failure to follow Operator's Manual for fuel recommendations voids warranty.

- DO NOT use unapproved gasoline such as E85.
- DO NOT mix oil in gasoline.
- DO NOT modify engine to run on alternate fuels.

To protect the fuel system from gum formation, mix in a fuel stabilizer when adding fuel. See *Storage*. All fuel is not the same. If you experience starting or performance problems after using fuel, switch to a different fuel provider or change brands. This engine is certified to operate on gasoline. The emission control system for this engine is EM (Engine Modifications).

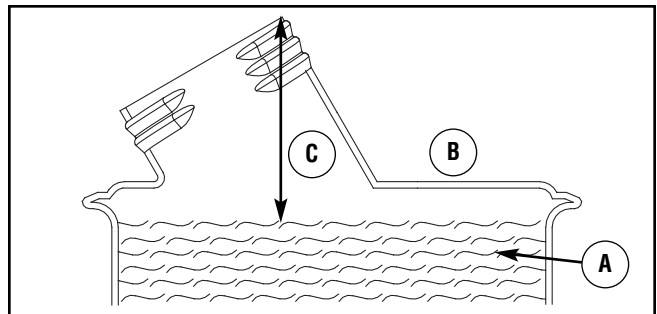
**▲ WARNING:** Fuel and its vapors are extremely flammable and explosive. Fire or explosion can cause severe burns or death.



### WHEN ADDING FUEL

- Turn pressure washer OFF and let it cool at least 2 minutes before removing fuel cap. Loosen cap slowly to relieve pressure in tank.
- Fill fuel tank outdoors.
- DO NOT overfill tank. Allow space for fuel expansion.
- If fuel spills, wait until it evaporates before starting engine.
- Keep fuel away from sparks, open flames, pilot lights, heat, and other ignition sources.
- DO NOT light a cigarette or smoke.

1. Clean area around fuel fill cap, remove cap.
2. Slowly add regular unleaded fuel (A) to fuel tank (B). Be careful not to overfill. Allow about 1.5" (4 cm) (C) of tank space for fuel expansion.



3. Install fuel cap and let any spilled fuel evaporate before starting engine.

### High Altitude

At altitudes over 5,000 feet (1524 meters), a minimum 85 octane / 85 AKI (89 RON) gasoline is acceptable. To remain emissions compliant, high altitude adjustment is required. Operation without this adjustment will cause decreased performance, increased fuel consumption, and increased emissions. See an Authorized Briggs & Stratton dealer for high altitude adjustment information. Operation of the engine at altitudes below 2,500 feet (762 meters) with the high altitude kit is not recommended.



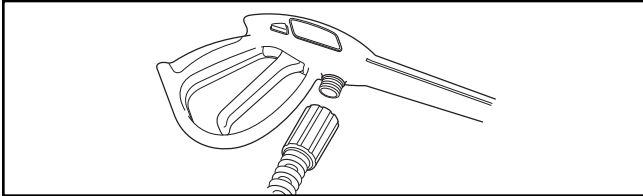
## Connect Hose and Water Supply to Pump

**NOTICE:** DO NOT run the pump without the water supply connected and turned on.

- Damage to equipment resulting from failure to follow this instruction will void warranty.

**NOTE:** Remove and discard the shipping caps from the pump's high pressure outlet and water inlet before attaching hoses.

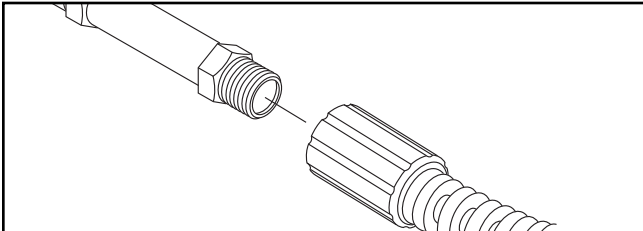
1. Uncoil high pressure hose and attach one end of hose to base of spray gun. Tighten by hand.



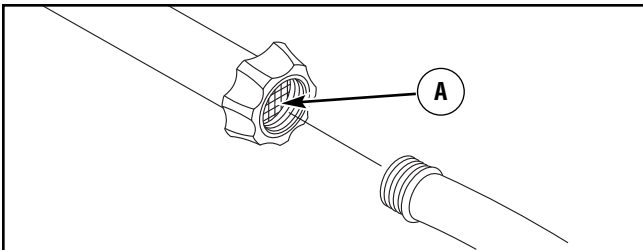
**▲ WARNING:** The high pressure stream of water that this equipment produces can cut through skin and its underlying tissues, leading to serious injury and possible amputation.

- NEVER connect high pressure hose to nozzle extension.
- Keep high pressure hose connected to pump and spray gun while system is pressurized.
- Always be certain spray gun, nozzles and accessories are correctly attached.

2. Attach other end of high pressure hose to high pressure outlet on pump. Tighten by hand.



3. Before connecting garden hose to water inlet, inspect inlet screen (A). Clean screen if it contains debris or have it replaced if damaged. DO NOT run pressure washer if inlet screen is damaged.



4. Run water through your garden hose for 30 seconds to clean out any debris.

**IMPORTANT:** DO NOT siphon standing water for the water supply. Use ONLY cold water (less than 100°F).

**NOTICE:** Using a One Way Valve (vacuum breaker or check valve) at pump inlet can cause pump or inlet connector damage.

- There MUST be at least ten feet of unrestricted garden hose between the pressure washer inlet and any device, such as a vacuum breaker or check valve.
- Damage to equipment resulting from failure to follow this instruction will void warranty.

5. Connect the garden hose (not to exceed 50 feet in length) to the water inlet. Tighten by hand.

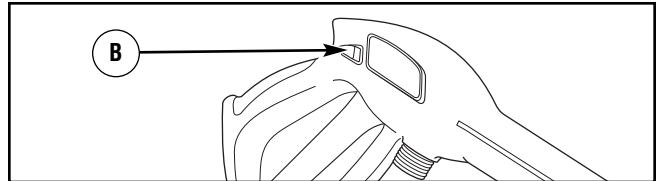
**▲ WARNING:** Risk of eye injury.



Spray can splash back or propel objects.

- Always wear indirect vented (chemical splash) safety goggles marked to comply with ANSI Z87.1 when using or in vicinity of this equipment.
- NEVER substitute safety glasses or dry-condition goggles for indirect vented safety goggles.

6. Turn ON the water, press red button (B) on the gun and squeeze the trigger to purge the pump system of air and impurities.



## Checklist Before Starting Engine

Review the unit's assembly to ensure you have performed all of the following.

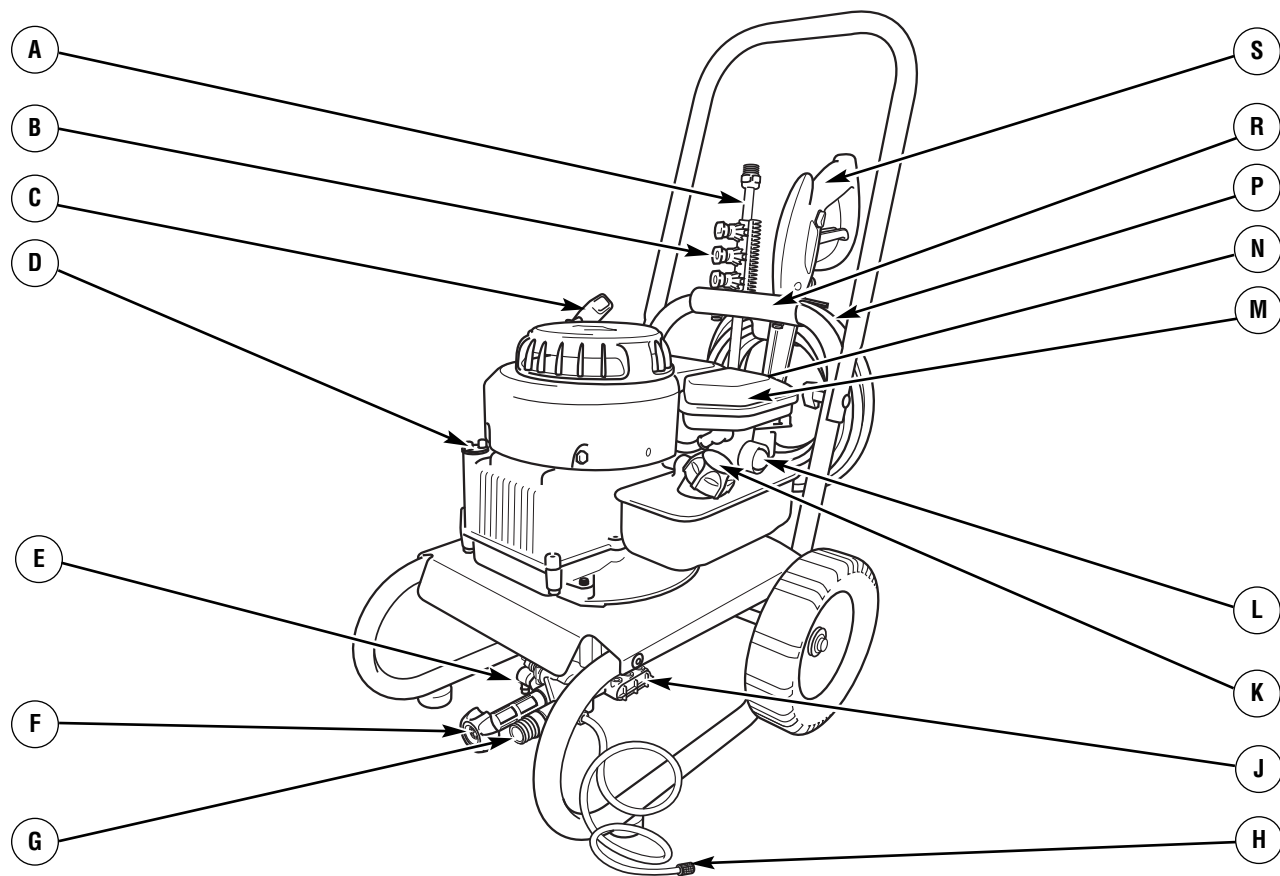
1. Be sure to read the *Operator Safety* section and *How to Use Your Pressure Washer in Operation* section before using pressure washer.
2. Make sure handle is in place and secure.
3. Check that oil has been added to proper level in the engine crankcase.
4. Add proper fuel to fuel tank.
5. Check for properly tightened hose connections.
6. Check to make sure there are no kinks, cuts, or damage to high pressure hose.
7. Provide a proper water supply at an adequate flow.

## Features and Controls



Read this Operator's Manual and safety rules before operating your pressure washer.

Compare the illustrations with your pressure washer, to familiarize yourself with the locations of various controls and adjustments. Save this manual for future reference.



**A - Nozzle Extension with Quick Connect** — Allows you to switch between three different spray tips.

**B - Spray Tips** — Detergent, 0°, and 25°: for various high pressure cleaning applications.

**C - Recoil Starter** — Used for starting the engine manually.

**D - Oil Fill/Dipstick** — Check and add engine oil here.

**E - Automatic Cool Down System** — Cycles water through pump when water reaches 125°-155°F. Warm water will discharge from pump onto ground. This system prevents internal pump damage.

**F - Water Inlet** — Connection for garden hose.

**G - High Pressure Outlet** — Connection for high pressure hose.

**H - Detergent Siphoning Tube/Filter** — Use to siphon pressure washer safe detergents into the low pressure stream.

**J - Pump** — Develops high pressure.

**K - Fuel Tank** — Fill tank with regular unleaded fuel. Always leave room for fuel expansion.

**L - Primer Bulb** — Prepares a cold engine for starting.

**M - Air Filter** — Protects engine by filtering dust and debris out of intake air.

**N - Throttle Lever** — Sets engine in starting mode for recoil starter and stops a running engine.

**P - High Pressure Hose** — Connect one end to water pump and the other end to spray gun.

**R - Accessory Tray** — Provides convenient storage for nozzle extension, spray gun and high pressure hose.

**S - Spray Gun** — Controls the application of water onto cleaning surface with trigger device. Includes trigger lock.

### Items Not Shown:

**Identification Label (near rear of base plate)** — Provides model and serial number of pressure washer. Please have these readily available if calling for assistance.

**Warning/Operating Instructions Tag** — Identifies hazards and proper procedure to start/stop pressure washer.

# Operation

If you have any problems operating your pressure washer, please call the pressure washer helpline at **(800) 528-5087**.

## Pressure Washer Location

### Clearances and Air Movement

**▲ WARNING:** Exhaust heat/gases can ignite combustibles, structures or damage fuel tank causing a fire.



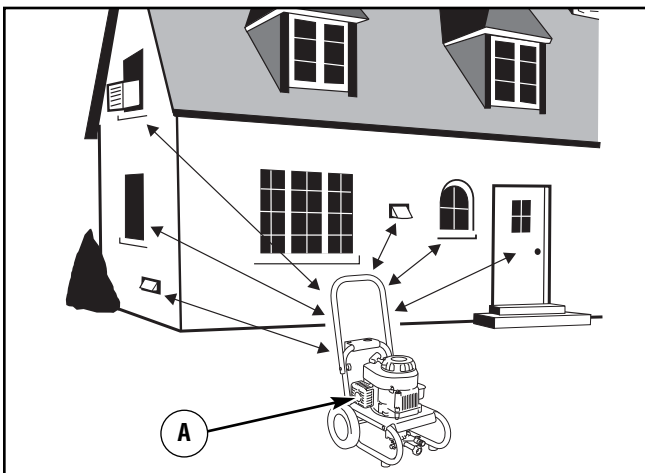
- Keep at least 5 ft. (152 cm) clearance on all sides of pressure washer including overhead.

Place pressure washer outdoors in an area that will not accumulate deadly exhaust gas. **DO NOT** place pressure washer where exhaust gas (**A**) could accumulate and enter inside or be drawn into a potentially occupied building. Ensure exhaust gas is kept away from any windows, doors, ventilation intakes, or other openings that can allow exhaust gas to collect in a confined area. Prevailing winds and air currents should be taken into consideration when positioning pressure washer.

**▲ WARNING:** Running engine gives off carbon monoxide, an odorless, colorless, poisonous gas. Breathing carbon monoxide can cause headache, fatigue, dizziness, vomiting, confusion, seizures, nausea, fainting or death.



- Operate pressure washer **ONLY** outdoors.
- Keep exhaust gas from entering a confined area through windows, doors, ventilation intakes, or other openings.
- **DO NOT** start or run engine indoors or in an enclosed area, even if windows and doors are open.



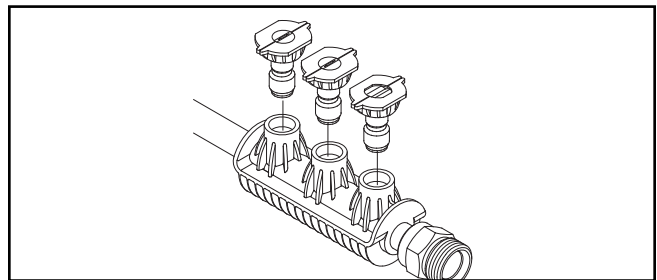
## How to Start Your Pressure Washer

To start your pressure washer for the first time, follow these instructions step-by-step. This starting information also applies if you have let the pressure washer sit idle for at least a day.

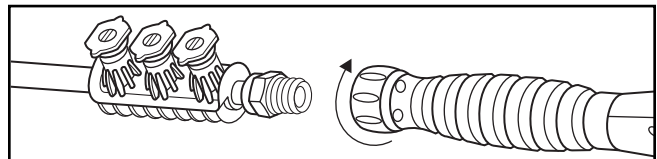
1. Place pressure washer near an outside water source capable of supplying water at a flow rate greater than 2.9 gallons per minute and no less than 20 PSI at pressure washer end of garden hose. **DO NOT** siphon supply water.
2. Check that high pressure hose is tightly connected to spray gun and pump. See *Assembly* section.
3. Make sure unit is in a level position.
4. Connect garden hose to water inlet on pressure washer pump.

**NOTICE:** **DO NOT** run the pump without the water supply connected and turned on.

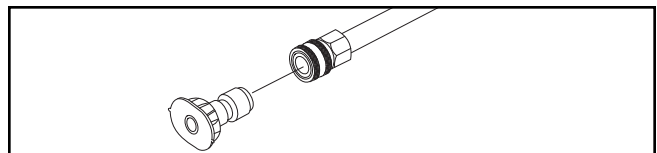
- Damage to equipment resulting from failure to follow this instruction will void warranty.
5. Turn **ON** the water, press red button on the gun and squeeze the trigger to purge the pump system of air and impurities.
  6. Place colored quick connect spray tips in slots on holder that's attached to nozzle extension.



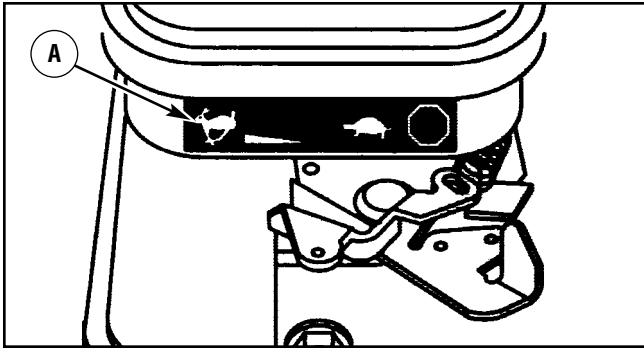
7. Attach nozzle extension to spray gun. Tighten by hand.



8. Choose spray tip you want to use, pull back on collar of nozzle extension, insert spray tip and release collar. Tug on spray tip to make sure it is securely in place. See *How to Use Spray Tips*.



9. Move throttle lever to “Fast” position (A), shown as a rabbit.



**To start the engine for the very first time:**

- 10A. Push primer bulb firmly 5 times, waiting 2 seconds between each push.

**To start engine thereafter:**

- 10B. Press primer bulb firmly 3 times, waiting 2 seconds between each push. For a warm engine, DO NOT press primer bulb.

**IMPORTANT:** Before starting the pressure washer, be sure you are wearing safety goggles as described below.

**▲ WARNING:** Risk of eye injury.  
Spray can splash back or propel objects.



- Always wear indirect vented (chemical splash) safety goggles marked to comply with ANSI Z87.1 when using or in vicinity of this equipment.
- NEVER substitute safety glasses or dry-condition goggles for indirect vented safety goggles.

11. When starting engine, position yourself as recommended below and grasp starter grip handle and pull slowly until you feel some resistance. Then pull rapidly to start engine.



**▲ WARNING:** Starter cord kickback (rapid retraction) can result in bodily injury. Kickback will pull hand and arm toward engine faster than you can let go. Broken bones, fractures, bruises, or sprains could result.



- NEVER pull starter cord without first relieving spray gun pressure.
- When starting engine, pull cord slowly until resistance is felt and then pull rapidly to avoid kickback.
- After each starting attempt, where engine fails to run, always point spray gun in safe direction, press red button and squeeze spray gun trigger to release high pressure.
- Firmly grasp spray gun with both hands when using high pressure spray to avoid injury when spray gun kicks back.

12. Return starter grip handle slowly. DO NOT let rope “snap back” against starter.

**NOTE:** Always keep the throttle lever in the “Fast” position when operating the pressure washer.

**▲ WARNING:** The high pressure stream of water that this equipment produces can cut through skin and its underlying tissues, leading to serious injury and possible amputation.



Spray gun traps high water pressure, even when engine is stopped and water is disconnected, which can cause injury.

- DO NOT allow CHILDREN to operate pressure washer.
- Keep high pressure hose connected to pump and spray gun while system is pressurized.
- NEVER aim spray gun at people, animals, or plants.
- DO NOT secure spray gun in open position.
- DO NOT leave spray gun unattended while machine is running.
- NEVER use a spray gun which does not have a trigger lock or trigger guard in place and in working order.
- Always be certain spray gun, nozzles and accessories are correctly attached.

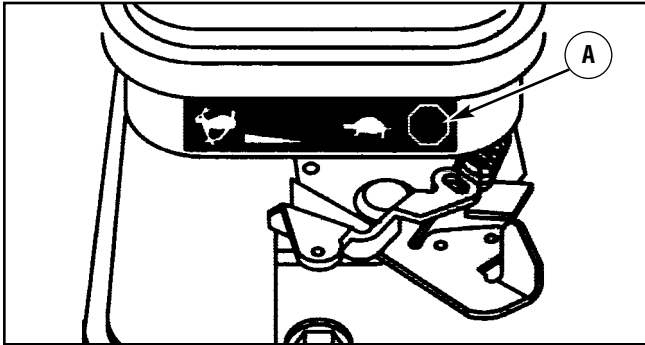
**▲ WARNING:** Contact with muffler area can result in serious burns. Exhaust heat/gases can ignite combustibles, structures or damage fuel tank causing a fire.



- DO NOT touch hot parts and AVOID hot exhaust gases.
  - Allow equipment to cool before touching.
  - Keep at least 5 feet (152 cm) of clearance on all sides of pressure washer including overhead.
  - It is a violation of California Public Resource Code, Section 4442, to use or operate the engine on any forest-covered, brush-covered, or grass-covered land unless the exhaust system is equipped with a spark arrester, as defined in Section 4442, maintained in effective working order. Other states or federal jurisdictions may have similar laws.
- Contact the original equipment manufacturer, retailer, or dealer to obtain a spark arrester designed for the exhaust system installed on this engine.
- Replacement parts must be the same and installed in the same position as the original parts.

## How to Stop Your Pressure Washer

1. Release spray gun trigger and let engine idle for two minutes.
2. Move throttle to SLOW position, then STOP position (A).



3. ALWAYS point gun in a safe direction and press red button and squeeze spray gun trigger to release retained high water pressure.

**IMPORTANT:** Spray gun traps high water pressure, even when engine is stopped and water is disconnected.

**⚠ WARNING:** The high pressure stream of water that this equipment produces can cut through skin and its underlying tissues, leading to serious injury and possible amputation.

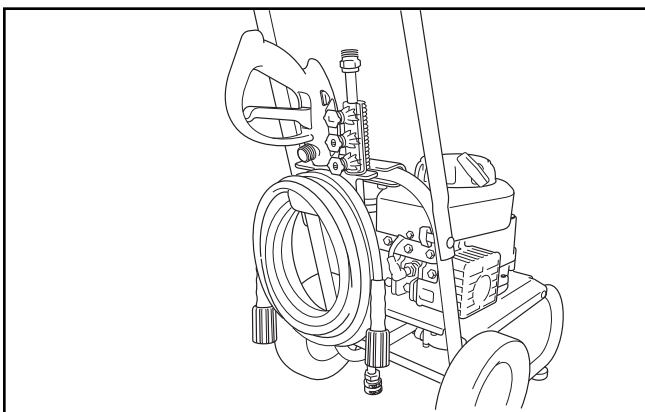
Spray gun traps high water pressure, even when engine is stopped and water is disconnected, which can cause injury.

- Keep high pressure hose connected to pump and spray gun while system is pressurized.
- ALWAYS point spray gun in safe direction, press red button and squeeze spray gun trigger to release high pressure, every time you stop engine.

## How to Use Accessory Tray

The unit is equipped with an accessory tray with places to store your spray gun, nozzle extension and high pressure hose.

1. Place nozzle extension through hole on accessory tray, as shown.



2. Place spray gun through hole on accessory tray on left side of unit.
3. Hang high pressure hose on hook as shown.

## How to Use Spray Tips

The quick-connect on the nozzle extension allows you to switch between three different quick connect spray tips. Spray tips can be changed while pressure washer is running once spray gun trigger lock is engaged. The spray tips vary the spray pattern as shown.

### Follow these instructions to change spray tips:

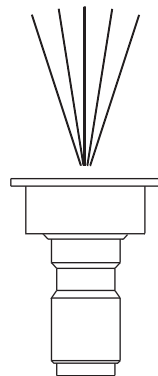
1. Pull back collar on quick-connect and pull current spray tip off. Store spray tips in holder provided on the nozzle extension.

**⚠ WARNING:** The high pressure stream of water that this equipment produces can cut through skin and its underlying tissues, leading to serious injury and possible amputation.

- NEVER exchange spray tips without the trigger lock being engaged on the spray gun.
- DO NOT twist spray tips while spraying.

2. Select desired spray tip:
  - For gentle rinse, select green 25° spray tip.
  - To scour surface, select red 0° spray tip.
  - To apply detergent, select black spray tip.

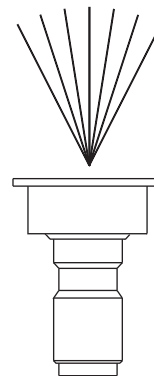
### Low Pressure



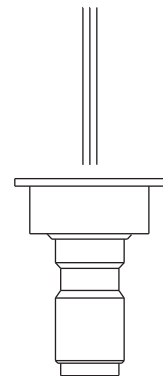
Black

Use to apply detergent

### High Pressure



25° Green



0° Red

3. Pull back on collar, insert new spray tip and release collar. Tug on spray tip to make sure it is securely in place.

### Usage Tips

- For most effective cleaning, keep spray tip from 8 to 24 inches away from cleaning surface.
- If you get spray tip too close, especially using a high pressure spray tip, you may damage surface being cleaned.
- DO NOT get closer than 6 inches when cleaning tires.

## Applying Detergent

**▲ CAUTION:** Chemicals can cause bodily injury, and/or property damage.

- NEVER use caustic liquid with pressure washer.
- Use ONLY pressure washer safe detergents/soaps. Follow all manufacturers instructions.

### To apply detergent, follow these steps:

1. Review use of spray tips.
2. Prepare detergent solution as required by job.
3. Place small filter end of detergent siphoning tube into detergent container.

**NOTE:** Make sure the filter is fully submerged in detergent while applying detergent.

**NOTICE:** Contact with the hot muffler can damage detergent siphoning tube.

- When inserting the siphon into a detergent solution bottle, route the tube so as to keep it from inadvertently contacting the hot muffler.

4. Make sure black spray tip is installed.

**NOTE:** Detergent cannot be applied with the high pressure spray tips (Green or Red).

5. Make sure garden hose is connected to water inlet. Check that high pressure hose is connected to spray gun and pump. Turn on water.

**NOTICE:** You must attach all hoses before you start the engine.

- Starting the engine without all the hoses connected and without the water turned ON will damage the pump.
- Damage to equipment resulting from failure to follow this instruction will void warranty.

6. Start engine following instructions *How to Start Your Pressure Washer*.
7. Apply detergent to a dry surface, starting at lower portion of area to be washed and work upward, using long, even, overlapping strokes.
8. Allow detergent to "soak in" for 3-5 minutes before washing and rinsing. Reapply as needed to prevent surface from drying. DO NOT allow detergent to dry on (prevents streaking).

**IMPORTANT:** You must flush the detergent siphoning system after each use by placing the filter into a bucket of clean water, then run the pressure washer in low pressure for 1-2 minutes.

## Pressure Washer Rinsing

### For Rinsing:

1. Remove black spray tip from nozzle extension.
2. Select and install desired high pressure spray tip following instructions *How to Use Spray Tips*.

3. Keep spray gun a safe distance from area you plan to spray.

**▲ WARNING:** Kickback from spray gun can cause you to fall.



- Operate pressure washer from a stable surface.
- Be extremely careful if you must use the pressure washer from a ladder, scaffolding, or any other similar location.
- Firmly grasp spray gun with both hands when using high pressure spray to avoid injury when spray gun kicks back.

4. Apply a high pressure spray to a small area and then check surface for damage. If no damage is found, you can assume it is okay to continue rinsing.
5. Start at top of area to be rinsed, working down with same overlapping strokes as you used for cleaning.

## Cleaning Detergent Siphoning Tube

If you used the detergent siphoning tube, you must flush it with clean water before stopping the engine.

1. Place detergent siphoning tube/filter in a bucket full of clean water.
2. Remove high pressure spray tip from nozzle extension.
3. Select and install black detergent spray tip following instructions *How to Use Spray Tips*.
4. Flush for 1-2 minutes.
5. Shut off engine following instructions *How to Stop Pressure Washer* and turn off water supply.
6. ALWAYS point spray gun in a safe direction and squeeze spray gun trigger to release retained high water pressure.

**IMPORTANT:** Spray gun traps high water pressure, even when engine is stopped and water is disconnected.

**▲ WARNING:** The high pressure stream of water that this equipment produces can cut through skin and its underlying tissues, leading to serious injury and possible amputation.



Spray gun traps high water pressure, even when engine is stopped and water is disconnected, which can cause injury.

- Keep high pressure hose connected to pump and spray gun while system is pressurized.
- ALWAYS point spray gun in safe direction, press red button and squeeze spray gun trigger to release high pressure, every time you stop engine.

## Automatic Cool Down System (Thermal Relief)

If you run the engine on your pressure washer for 3-5 minutes without pressing the trigger on the spray gun, circulating water in the pump can reach temperatures above 125°F. The system engages to cool the pump by **discharging the warm water onto the ground.**

# Maintenance

## Maintenance Schedule

Follow the hourly or calendar intervals, whichever occurs first. More frequent service is required when operating in adverse conditions noted below.

<b>First 5 Hours</b>
<ul style="list-style-type: none"><li>• Change engine oil</li></ul>
<b>Every 8 Hours or Daily</b>
<ul style="list-style-type: none"><li>• Check/clean water inlet screen<sup>1</sup></li><li>• Check high pressure hose</li><li>• Check detergent siphoning hose/filter</li><li>• Check spray gun and assembly for leaks</li><li>• Clean debris</li><li>• Check engine oil level</li></ul>
<b>Every 25 Hours or Yearly</b>
<ul style="list-style-type: none"><li>• Service engine air cleaner<sup>2</sup></li></ul>
<b>Every 50 Hours or Yearly</b>
<ul style="list-style-type: none"><li>• Change engine oil<sup>2</sup></li><li>• Inspect muffler and spark arrester</li></ul>
<b>Every 100 Hours or Yearly</b>
<ul style="list-style-type: none"><li>• Service spark plug</li><li>• Clean cooling system<sup>2</sup></li></ul>

<sup>1</sup> Clean if clogged. Replace if perforated or torn.

<sup>2</sup> Service more often under dirty or dusty conditions.

## General Recommendations

Regular maintenance will improve the performance and extend the life of the pressure washer. See any qualified dealer for service.

The pressure washer's warranty does not cover items that have been subjected to operator abuse or negligence. To receive full value from the warranty, the operator must maintain the pressure washer as instructed in this manual, including proper storage as detailed in *Winter Storage* and *Long Term Storage*.

**NOTE:** Should you have questions about replacing components on your pressure washer, please call **(800) 528-5087** for assistance.

Some adjustments will need to be made periodically to properly maintain your pressure washer.

All service and adjustments should be made at least once each season. Follow the requirements in the Maintenance Schedule chart above.

**NOTE:** Once a year you should clean or replace the spark plug, clean or replace the air filter, and check the spray gun and nozzle extension assembly for wear. A new spark plug and clean air filter assure proper fuel-air mixture and help your engine run better and last longer.

## Pump Oil

DO NOT attempt any oil maintenance on this pump. The pump is pre-lubricated and sealed from the factory, requiring no additional maintenance for the life of the pump.

## Emissions Control

**Maintenance, replacement, or repair of the emissions control devices and systems may be performed by any non-road engine repair establishment or individual.**

However, to obtain "no charge" emissions control service, the work must be performed by a factory authorized dealer. See the *Emissions Warranty*.

## Before Each Use

1. Check engine oil level.
2. Clean debris.
3. Check water inlet screen for damage.
4. Check high pressure hose for leaks.
5. Check detergent siphoning tube and filter for damage.
6. Check spray gun and nozzle extension assembly for leaks.
7. Rinse out garden hose to flush out debris.

## Pressure Washer Maintenance

### Clean Debris

Daily or before use, clean accumulated debris from cleaning system. Keep linkage, spring and controls clean. Keep area around and behind muffler free from any combustible debris. Inspect cooling air slots and openings on the pressure washer. These openings must be kept clean and unobstructed.

Cleaning system parts should be kept clean to reduce the risk of overheating and ignition of accumulated debris.

- Use a damp cloth to wipe exterior surfaces clean.

**NOTICE:** Improper treatment of pressure washer can damage it and shorten its life.

- DO NOT insert any objects through cooling slots.

- Use a soft bristle brush to loosen caked on dirt, oil, etc.
- Use a vacuum cleaner to pick up loose dirt and debris.

### Check and Clean Inlet Screen

Examine the screen on the pump's water inlet. Clean it if the screen is clogged or replace it if screen is damaged.

### Check High Pressure Hose

The high pressure hose can develop leaks from wear, kinking, or abuse. Inspect the hose each time before using it. Check for cuts, leaks, abrasions or bulging of cover, damage or movement of couplings. If any of these conditions exist, replace the hose immediately.

- ⚠ WARNING:** The high pressure stream of water that this equipment produces can cut through skin and its underlying tissues, leading to serious injury and possible amputation.
- NEVER repair high pressure hose. Replace it.
  - Replacement hose rating MUST exceed maximum pressure rating of unit.

### Check Detergent Siphoning Tube

Examine the filter on the detergent tube and clean if clogged. The tube should fit tightly on the barbed fitting. Examine the tube for leaks or tears. Replace the filter or tube if either is damaged.

### Check Spray Gun

Examine the hose connection to the spray gun and make sure it is secure. Test the trigger by pressing the red button and making sure the trigger “springs back” into place when you release it. You should not be able to press the trigger without pressing the red button. Replace spray gun immediately if it fails any of these tests.

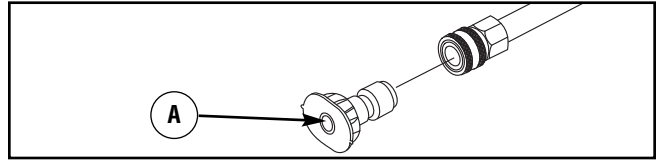
### Nozzle Maintenance

A pulsing sensation felt while squeezing the spray gun trigger may be caused by excessive pump pressure. The principal cause of excessive pump pressure is a spray tip clogged or restricted with foreign materials, such as dirt, etc. To correct the problem, immediately clean the spray tip following these instructions:

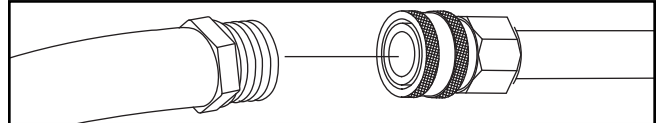
1. Shut off engine and turn off water supply.
2. ALWAYS point spray gun in a safe direction, press red button and squeeze spray gun trigger to release retained high water pressure.

- ⚠ WARNING:** The high pressure stream of water that this equipment produces can cut through skin and its underlying tissues, leading to serious injury and possible amputation.
- Spray gun traps high water pressure, even when engine is stopped and water is disconnected, which can cause injury.
- Keep high pressure hose connected to pump and spray gun while system is pressurized.
  - ALWAYS point spray gun in safe direction, press red button and squeeze spray gun trigger to release high pressure, every time you stop engine.

3. Remove spray tip from end of nozzle extension.
4. Use a small paper clip to free any foreign material clogging or restricting spray tip (A).



5. Remove nozzle extension from spray gun.
6. Using a garden hose, remove additional debris by back flushing water through nozzle extension. Back flush between 30 to 60 seconds.



7. Reinstall spray tip into nozzle extension.
8. Reconnect nozzle extension to spray gun.
9. Make sure garden hose is connected to water inlet. Check that high pressure hose is connected to spray gun and pump. Turn on water.
10. Start engine following instructions *How to Start Your Pressure Washer*.
11. Test pressure washer by operating with each quick connect spray tip.

### O-Ring Maintenance

Purchase an O-Ring/Maintenance Kit, model 6048, by contacting the nearest authorized service center. It is not included with the pressure washer. This kit includes replacement o-rings, rubber washer and water inlet filter. Refer to the instruction sheet provided in the kit to service your unit's o-rings.

- ⚠ WARNING:** The high pressure stream of water that this equipment produces can cut through skin and its underlying tissues, leading to serious injury and possible amputation.
- NEVER repair leaking connections with sealant of any kind. Replace o-ring or seal.



## Engine Maintenance

**▲ WARNING:** Unintentional sparking can result in fire or electric shock.



### WHEN ADJUSTING OR MAKING REPAIRS TO YOUR PRESSURE WASHER

- Disconnect the spark plug wire from the spark plug and place the wire where it cannot contact spark plug.

### WHEN TESTING FOR ENGINE SPARK

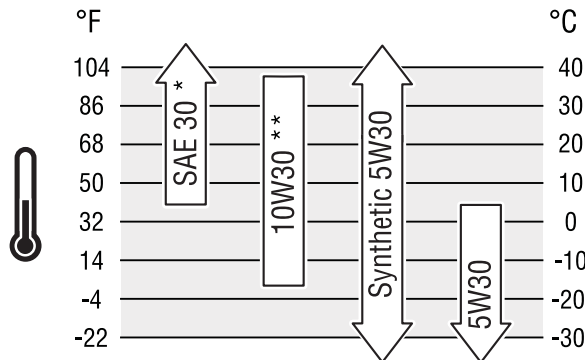
- Use approved spark plug tester.
- DO NOT check for spark with spark plug removed.

## Oil

### Oil Recommendations

We recommend the use of Briggs & Stratton Warranty Certified oils for best performance. Other high-quality detergent oils are acceptable if classified for service SF, SG, SH, SJ or higher. DO NOT use special additives.

Outdoor temperatures determine the proper oil viscosity for the engine. Use the chart to select the best viscosity for the outdoor temperature range expected.



\* Below 40°F (4°C) the use of SAE 30 will result in hard starting.

\*\* Above 80°F (27°C) the use of 10W30 may cause increased oil consumption. Check oil level more frequently.

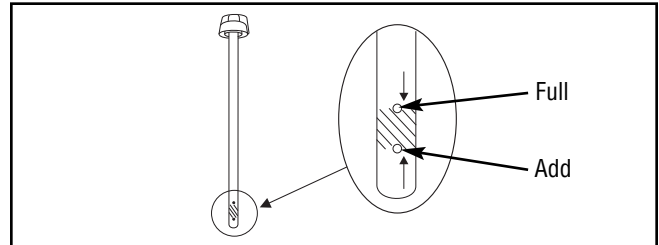


**NOTE:** Synthetic oil meeting ILSAC GF-2, API certification mark and API service symbol with “SJ/CF ENERGY CONSERVING” or higher, is an acceptable oil at all temperatures. Use of synthetic oil does not alter required oil change intervals.

## Checking Oil Level

Oil level should be checked prior to each use or at least every 8 hours of operation. Keep oil level maintained.

1. Make sure pressure washer is on a level surface.
2. Remove oil dipstick and wipe dipstick with clean cloth. Replace and tighten dipstick. Remove and check oil level.
3. Verify oil is at “Full” mark (top hole) on dipstick. Replace and tighten dipstick.



## Adding Engine Oil

1. Make sure pressure washer is on a level surface.
2. Check oil level as described in *Checking Oil Level*.
3. If needed, slowly pour oil into oil fill opening to the “Full” mark on dipstick. DO NOT overfill.

**NOTICE:** Overfilling with oil may cause the engine to not start, or hard starting.

- DO NOT overfill.
- If over the FULL mark on dipstick, drain oil to reduce oil level to FULL mark on dipstick.

4. Replace and tighten dipstick.

## Changing Engine Oil

If you are using your pressure washer under extremely dirty or dusty conditions, or in extremely hot weather, change the oil more often.

**▲ CAUTION:** Avoid prolonged or repeated skin contact with used motor oil.

- Used motor oil has been shown to cause skin cancer in certain laboratory animals.
- Thoroughly wash exposed areas with soap and water.



KEEP OUT OF REACH OF CHILDREN. DON'T POLLUTE. CONSERVE RESOURCES. RETURN USED OIL TO COLLECTION CENTERS.

**Change oil while engine is still warm from running, as follows:**

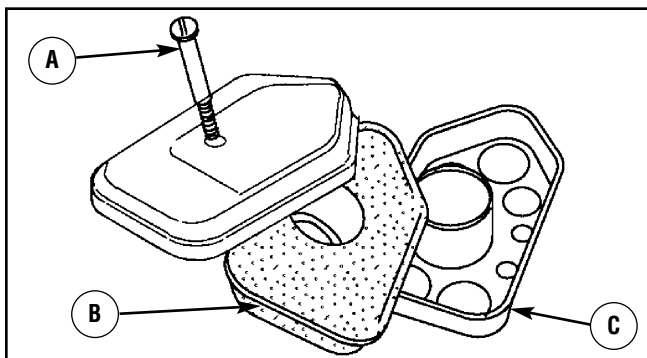
1. Drain fuel tank by running pressure washer until fuel tank is empty.
2. Disconnect spark plug wire and keep it away from spark plug.
3. Clean area around oil fill, remove oil fill cap/dipstick. Wipe dipstick clean.
4. Tip your pressure washer to drain oil from oil fill into a suitable container making sure you tip your unit away from spark plug. When crankcase is empty, return pressure washer to upright position.
5. Slowly pour recommended oil (about 20 oz.) into oil fill opening. Pause to permit oil to settle. Fill to "Full" mark on dipstick.
6. Wipe dipstick clean each time oil level is checked. DO NOT overfill.
7. Replace and tighten dipstick.
8. Wipe up any remaining oil.
9. Reconnect spark plug wire to spark plug.

**Service Air Cleaner**

Your engine will not run properly and may be damaged if you run it with a dirty air cleaner. Service more often if operating under dirty or dusty conditions.

**To service the air cleaner, follow these steps:**

1. Remove screw (A).

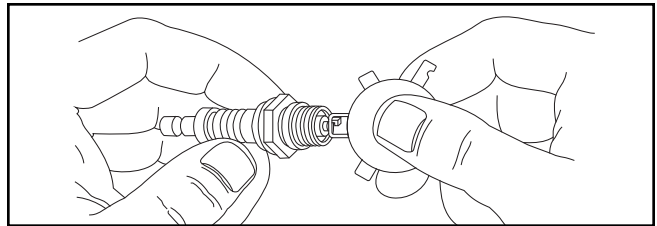


2. Carefully remove air cleaner assembly to prevent debris from falling into carburetor.
3. Take air cleaner assembly apart and clean all parts. Wash foam air cleaner (B) in liquid detergent and water. Squeeze dry in a clean cloth.
4. SATURATE foam air cleaner in engine oil and squeeze in a clean cloth to remove excess oil.
5. Reinstall clean or new foam air cleaner in base (C).
6. Install air cleaner securely on carburetor with screw.

**Service Spark Plug**

Changing the spark plug will help your engine to start easier and run better.

1. Clean area around spark plug.
2. Remove and inspect spark plug.
3. Replace spark plug if electrodes are pitted, burned or porcelain is cracked. Use the recommended replacement plug. See *Specifications*.
4. Check electrode gap with wire feeler gauge and set spark plug gap to 0.030 inch (0.76 mm) if necessary.



5. Install spark plug and tighten firmly.

**Inspect Muffler and Spark Arrester**

Inspect the muffler for cracks, corrosion, or other damage. Remove the spark arrester, if equipped, and inspect for damage or carbon blockage. If replacement parts are required, make sure to use only original equipment replacement parts.

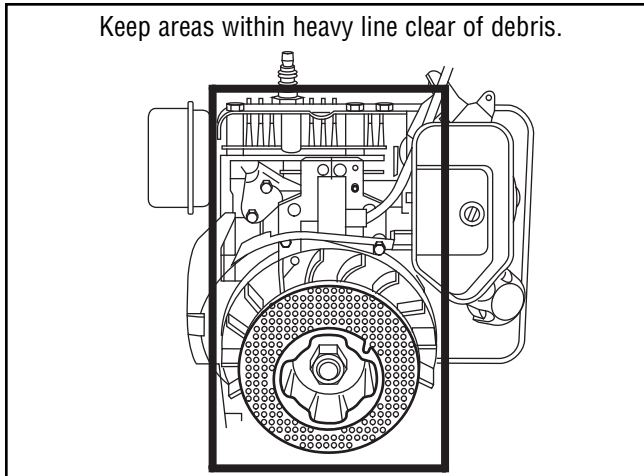
**▲ WARNING:** Contact with muffler area can result in serious burns. Exhaust heat/gases can ignite combustibles, structures or damage fuel tank causing a fire.



- DO NOT touch hot parts and AVOID hot exhaust gases.
  - Allow equipment to cool before touching.
  - Keep at least 5 feet (152 cm) of clearance on all sides of pressure washer including overhead.
  - It is a violation of California Public Resource Code, Section 4442, to use or operate the engine on any forest-covered, brush-covered, or grass-covered land unless the exhaust system is equipped with a spark arrester, as defined in Section 4442, maintained in effective working order. Other states or federal jurisdictions may have similar laws.
- Contact the original equipment manufacturer, retailer, or dealer to obtain a spark arrester designed for the exhaust system installed on this engine.
- Replacement parts must be the same and installed in the same position as the original parts.

## Air Cooling System

Over time debris may accumulate in cylinder cooling fins and cannot be observed without partial engine disassembly. For this reason, we recommend you have a qualified service dealer clean the cooling system per recommended intervals (see *Maintenance Schedule* in beginning of *Maintenance* section). Equally important is to keep top of engine free from debris. See *Clean Debris*.



## After Each Use

Water should not remain in the unit for long periods of time. Sediments or minerals can deposit on pump parts and freeze pump action. Follow these procedures after every use:

1. Shut off engine, turn off water supply, point gun in a safe direction, press red button and squeeze trigger to relieve trapped pressure, and let engine cool.

**⚠ WARNING:** The high pressure stream of water that this equipment produces can cut through skin and its underlying tissues, leading to serious injury and possible amputation.

Spray gun traps high water pressure, even when engine is stopped and water is disconnected, which can cause injury.

- Keep high pressure hose connected to pump and spray gun while system is pressurized.
- ALWAYS point spray gun in safe direction, press red button and squeeze spray gun trigger to release high pressure, every time you stop engine.

2. Disconnect hose from spray gun and high pressure outlet on pump. Drain water from hose, gun, and nozzle extension. Use a rag to wipe off the hose.
3. Place the spray gun, nozzle extension and nozzles in the accessory tray. Hang high pressure hose on hook attached to accessory tray.
4. Empty pump of all pumped liquids by pulling recoil handle about six times. This should remove most liquid in pump.
5. Store unit in a clean, dry area.
6. If storing for more than 30 days, see *Long Term Storage* on next page.

**⚠ WARNING:** Fuel and its vapors are extremely flammable and explosive. Fire or explosion can cause severe burns or death.

### WHEN STORING FUEL OR EQUIPMENT WITH FUEL IN TANK

- Store away from furnaces, stoves, water heaters, clothes dryers, or other appliances that have pilot light or other ignition source because they can ignite fuel vapors.

## Winter Storage

**NOTICE:** You must protect your unit from freezing temperatures.

- Failure to do so will permanently damage your pump and render your unit inoperable.
- Freeze damage is not covered under warranty.

### To protect the unit from freezing temperatures:

1. Follow steps 1-4 in the previous section *After Each Use*.
2. Use pump saver, Model 6039, to treat pump. This minimizes freeze damage and lubricates pistons and seals.
3. If pump saver is not available, connect a 3-foot section of garden hose to water inlet adapter. Pour RV-antifreeze (antifreeze without alcohol) into hose. Pull recoil handle twice. Disconnect 3-foot hose.
4. Store unit in a clean, dry area.

## Long Term Storage

If you do not plan to use the pressure washer for more than 30 days, you must prepare the engine and pump for long term storage.

### Protect Fuel System

#### *Fuel Additive:*

Fuel can become stale when stored over 30 days. Stale fuel causes acid and gum deposits to form in the fuel system or on essential carburetor parts. To keep fuel fresh, use Briggs & Stratton FRESH START® fuel stabilizer, available as a liquid additive or a drip concentrate cartridge.

There is no need to drain gasoline from the engine if a fuel stabilizer is added according to instructions. Run the engine for 2 minutes to circulate the stabilizer throughout the fuel system. The engine and fuel can then be stored up to 24 months.

If gasoline in the engine has not been treated with a fuel stabilizer, it must be drained into an approved container. Run the engine until it stops from lack of fuel. The use of a fuel stabilizer in the storage container is recommended to maintain freshness.

## Change Engine Oil

While engine is still warm, drain oil from crankcase. Refill with recommended grade. See *Changing Engine Oil* in *Engine Maintenance*.

### Protecting the Pump

To protect the pump from damage caused by mineral deposits or freezing, use PumpSaver, Model 6039, to treat pump. This prevents freeze damage and lubricates pistons and seals.

**NOTE:** PumpSaver is available as an optional accessory. It is not included with the pressure washer. Contact the nearest authorized service center to purchase PumpSaver.

**NOTICE:** You must protect your unit from freezing temperatures.

- Failure to do so will permanently damage your pump and render your unit inoperable.
- Freeze damage is not covered under warranty.

To use PumpSaver, make sure the pressure washer is turned off and disconnected from supply water. Read and follow all instructions and warnings given on the PumpSaver container.

### Other Storage Tips

1. DO NOT store fuel from one season to another unless it has been treated as described in *Protect Fuel System*.
2. Replace fuel container if it starts to rust. Rust and/or dirt in fuel can cause problems if it's used with this unit.
3. Cover unit with a suitable protective cover that does not retain moisture.

**▲ WARNING:** Storage covers can be flammable.



- DO NOT place a storage cover over a hot pressure washer.
- Let equipment cool for a sufficient time before placing the cover on the equipment.

4. Store unit in a clean and dry area.

# Troubleshooting

Problem	Cause	Correction
<p><b>Pump has following problems: failure to produce pressure, erratic pressure, chattering, loss of pressure, low water volume.</b></p>	<ol style="list-style-type: none"> <li>1. Low pressure spray tip installed.</li> <li>2. Water inlet is blocked.</li> <li>3. Inadequate water supply.</li> <li>4. Inlet hose is kinked or leaking.</li> <li>5. Clogged inlet hose screen.</li> <li>6. Water supply is over 100°F.</li> <li>7. High pressure hose is blocked or leaks.</li> <li>8. Spray gun leaks.</li> <li>9. Spray tip is obstructed.</li> <li>10. Pump is faulty.</li> </ol>	<ol style="list-style-type: none"> <li>1. Replace with high pressure spray tip.</li> <li>2. Clear inlet.</li> <li>3. Provide adequate water flow.</li> <li>4. Straighten inlet hose, patch leak.</li> <li>5. Check and clean inlet hose screen.</li> <li>6. Provide cooler water supply.</li> <li>7. Clear blocks in outlet hose.</li> <li>8. Replace spray gun.</li> <li>9. Clean spray tip.</li> <li>10. Contact local service facility.</li> </ol>
<p><b>Detergent fails to mix with spray.</b></p>	<ol style="list-style-type: none"> <li>1. Detergent siphoning tube is not submerged.</li> <li>2. Detergent siphoning tube/filter is clogged or cracked.</li> <li>3. High pressure spray tip installed.</li> </ol>	<ol style="list-style-type: none"> <li>1. Insert detergent siphoning tube into detergent.</li> <li>2. Clean or replace filter/detergent siphoning tube.</li> <li>3. Replace with low pressure spray tip.</li> </ol>
<p><b>Engine runs good at no-load but "bogs" when load is added.</b></p>	<p>Engine speed is too slow.</p>	<p>Move throttle control to FAST position. If engine still "bogs down", contact local service facility.</p>
<p><b>Engine will not start; or starts and runs rough.</b></p>	<ol style="list-style-type: none"> <li>1. Low oil level.</li> <li>2. Dirty air cleaner.</li> <li>3. Out of fuel.</li> <li>4. Stale fuel.</li> <li>5. Spark plug wire not connected to spark plug.</li> <li>6. Bad spark plug.</li> <li>7. Water in fuel.</li> <li>8. Excessively rich fuel mixture.</li> </ol>	<ol style="list-style-type: none"> <li>1. Fill crankcase to proper level.</li> <li>2. Clean or replace air cleaner.</li> <li>3. Fill fuel tank.</li> <li>4. Drain fuel tank; fill with fresh fuel.</li> <li>5. Connect wire to spark plug.</li> <li>6. Replace spark plug.</li> <li>7. Drain fuel tank; fill with fresh fuel.</li> <li>8. Contact local service facility.</li> </ol>
<p><b>Engine shuts down during operation.</b></p>	<p>Out of fuel.</p>	<p>Fill fuel tank.</p>
<p><b>Engine lacks power.</b></p>	<p>Dirty air filter.</p>	<p>Replace air filter.</p>

# Warranties

## California, U.S. EPA, and Briggs & Stratton Corporation Emissions Control Warranty Statement

### Your Warranty Rights And Obligations

The California Air Resources Board, U.S. EPA, and Briggs & Stratton (B&S) are pleased to explain the emissions control system warranty on your Model Year 2008 and later engine/equipment. In California, new small off-road engines must be designed, built, and equipped to meet the State's stringent anti-smog standards. B&S must warrant the emissions control system on your engine/equipment for the periods of time listed below provided there has been no abuse, neglect, or improper maintenance of your small off-road engine.

Your emissions control system may include parts such as the carburetor or fuel injection system, fuel tank, ignition system, and catalytic converter. Also included may be hoses, belts, connectors, sensors, and other emissions-related assemblies. Where a warrantable condition exists, B&S will repair your engine/equipment at no cost to you including diagnosis, parts, and labor.

### Manufacturer's Warranty Coverage:

Small off-road engines are warranted for two years. If any emissions-related part on your engine/equipment is defective, the part will be repaired or replaced by B&S.

### Owner's Warranty Responsibilities:

- As the small engine/equipment owner, you are responsible for the performance of the required maintenance listed in your owner's manual. B&S recommends that you retain all receipts covering maintenance on your engine/equipment, but B&S cannot deny warranty solely for the lack of receipts or your failure to ensure the performance of all scheduled maintenance.
- As the engine/equipment owner, you should however be aware that B&S may deny you warranty coverage if your engine/equipment or a part has failed due to abuse, neglect, improper maintenance, or unapproved modifications.
- You are responsible for presenting your engine/equipment to a B&S distribution center, servicing dealer, or other equivalent entity, as applicable, as soon as a problem exists. The warranty repairs should be completed in a reasonable amount of time, not to exceed 30 days. If you have any questions regarding your warranty rights and responsibilities, you should contact B&S at (414) 259-5262.

## Briggs & Stratton Emissions Control Warranty Provisions

The following are specific provisions relative to your Emissions Control Warranty Coverage. It is in addition to the B&S engine warranty for non-regulated engines found in the Operator's Manual.

### 1. Warranted Emissions Parts

Coverage under this warranty extends only to the parts listed below (the emissions control systems parts) to the extent these parts were present on the engine purchased.

#### a. Fuel Metering System

- Cold start enrichment system (soft choke)
- Carburetor and internal parts
- Fuel pump
- Fuel line, fuel line fittings, clamps
- Fuel tank, cap and tether
- Carbon canister

#### b. Air Induction System

- Air cleaner
- Intake manifold
- Purge and vent line

#### c. Ignition System

- Spark plug(s)
- Magneto ignition system

#### d. Catalyst System

- Catalytic converter
- Exhaust manifold
- Air injection system or pulse valve

#### e. Miscellaneous Items Used in Above Systems

- Vacuum, temperature, position, time sensitive valves and switches
- Connectors and assemblies

### 2. Length of Coverage

For a period of two years from date of original purchase, B&S warrants to the original purchaser and each subsequent purchaser that the engine is designed, built, and equipped so as to conform with all applicable regulations adopted by the Air Resources Board; that it is free from defects in material and workmanship that could cause the failure of a warranted part; and that it is identical in all material respects to the engine described in the manufacturer's application for certification. The warranty period begins on the date the engine is originally purchased.

The warranty on emissions-related parts is as follows:

- Any warranted part that is not scheduled for replacement as required maintenance in the owner's manual supplied, is warranted for the warranty period stated above. If any such part fails during the period of warranty coverage, the part will be repaired or replaced by B&S at no charge to the owner. Any such part repaired or replaced under the warranty will be warranted for the remaining warranty period.
- Any warranted part that is scheduled only for regular inspection in the owner's manual supplied, is warranted for the warranty period stated above. Any such part repaired or replaced under warranty will be warranted for the remaining warranty period.
- Any warranted part that is scheduled for replacement as required maintenance in the owner's manual supplied, is warranted for the period of time prior to the first scheduled replacement point for that part. If the part fails prior to the first scheduled replacement, the part will be repaired or replaced by B&S at no charge to the owner. Any such part repaired or replaced under warranty will be warranted for the remainder of the period prior to the first scheduled replacement point for the part.
- Add on or modified parts that are not exempted by the Air Resources Board may not be used. The use of any non exempted add on or modified parts by the owner will be grounds for disallowing a warranty claim. The manufacturer will not be liable to warrant failures of warranted parts caused by the use of a non exempted add on or modified part.

### 3. Consequential Coverage

Coverage shall extend to the failure of any engine components caused by the failure of any warranted emissions parts.

### 4. Claims and Coverage Exclusions

Warranty claims shall be filed according to the provisions of the B&S engine warranty policy. Warranty coverage does not apply to failures of emissions parts that are not original equipment B&S parts or to parts that fail due to abuse, neglect, or improper maintenance as set forth in the B&S engine warranty policy. B&S is not liable for warranty coverage of failures of emissions parts caused by the use of add-on or modified parts.

## Look For Relevant Emissions Durability Period and Air Index Information On Your Engine Emissions Label

Engines that are certified to meet the California Air Resources Board (CARB) Emissions Standard must display information regarding the Emissions Durability Period and the Air Index. Briggs & Stratton makes this information available to the consumer on our emissions labels. The engine emissions label will indicate certification information.

The **Emissions Durability Period** describes the number of hours of actual running time for which the engine is certified to be emissions compliant, assuming proper maintenance in accordance with the Operating & Maintenance Instructions. The following categories are used:

### Moderate:

Engine is certified to be emissions compliant for 125 hours of actual engine running time.

### Intermediate:

Engine is certified to be emissions compliant for 250 hours of actual engine running time.

### Extended:

Engine is certified to be emissions compliant for 500 hours of actual engine running time.

For example, a typical walk-behind lawn mower is used 20 to 25 hours per year. Therefore, the **Emissions Durability Period** of an engine with an **intermediate** rating would equate to 10 to 12 years. Briggs & Stratton engines are certified to meet the United States Environmental Protection Agency (USEPA) Phase 2 emissions standards. For Phase 2 certified engines, the Emissions Compliance Period referred to on the Emissions Compliance label indicates the number of operating hours for which the engine has been shown to meet Federal emissions requirements.

For engines less than 225 cc displacement.

Category C = 125 hours

Category B = 250 hours

Category A = 500 hours

For engines of 225 cc or more displacement.

Category C = 250 hours

Category B = 500 hours

Category A = 1000 hours

## BRIGGS & STRATTON POWER PRODUCTS GROUP, LLC PRESSURE WASHER OWNER WARRANTY POLICY

Effective December 1, 2005 replaces all undated Warranties and all Warranties dated before December 1, 2005

### LIMITED WARRANTY

Briggs & Stratton Power Products Group, LLC will repair or replace, free of charge, any part(s) of the pressure washer that is defective in material or workmanship or both. Transportation charges on product submitted for repair or replacement under this warranty must be borne by purchaser. This warranty is effective for the time periods and subject to the conditions stated below. For warranty service, find the nearest Authorized Service Dealer in our dealer locator map at BRIGGSandSTRATTON.COM.

THERE IS NO OTHER EXPRESS WARRANTY. IMPLIED WARRANTIES, INCLUDING THOSE OF MERCHANTABILITY AND FITNESS FOR A PARTICULAR PURPOSE, ARE LIMITED TO ONE YEAR FROM PURCHASE, OR TO THE EXTENT PERMITTED BY LAW. ANY AND ALL IMPLIED WARRANTIES ARE EXCLUDED. LIABILITY FOR INCIDENTAL OR CONSEQUENTIAL DAMAGES ARE EXCLUDED TO THE EXTENT EXCLUSION IS PERMITTED BY LAW. Some states or countries do not allow limitations on how long an implied warranty lasts, and some states or countries do not allow the exclusion or limitation of incidental or consequential damages, so the above limitation and exclusion may not apply to you. This warranty gives you specific legal rights and you may also have other rights which vary from state to state or country to country.

### WARRANTY PERIOD

<b>Consumer Use</b>	<b>1 year</b>
<b>Commercial Use</b>	<b>90 days</b>

The warranty period begins on the date of purchase by the first retail consumer or commercial end user, and continues for the period of time stated above. "Consumer use" means personal residential household use by a retail consumer. "Commercial use" means all other uses, including use for commercial, income producing or rental purposes. Once equipment has experienced commercial use, it shall thereafter be considered as commercial use for purposes of this warranty.

NO WARRANTY REGISTRATION IS NECESSARY TO OBTAIN WARRANTY ON BRIGGS & STRATTON PRODUCTS. SAVE YOUR PROOF OF PURCHASE RECEIPT. IF YOU DO NOT PROVIDE PROOF OF THE INITIAL PURCHASE DATE AT THE TIME WARRANTY SERVICE IS REQUESTED, THE MANUFACTURING DATE OF THE PRODUCT WILL BE USED TO DETERMINE THE WARRANTY PERIOD.

### ABOUT YOUR WARRANTY

We welcome warranty repair and apologize to you for being inconvenienced. Any Authorized Service Dealer may perform warranty repairs. Most warranty repairs are handled routinely, but sometimes requests for warranty service may not be appropriate. For example, warranty service would not apply if equipment damage occurred because of misuse, lack of routine maintenance, shipping, handling, warehousing or improper installation. Similarly, the warranty is void if the manufacturing date or the serial number on the pressure washer or engine has been removed or the equipment has been altered or modified. During the warranty period, the Authorized Service Dealer, at its option, will repair or replace any part that, upon examination, is found to be defective under normal use and service. This warranty will not cover the following repairs and equipment:

- **Normal Wear:** Outdoor Power Equipment, like all mechanical devices, needs periodic parts and service to perform well. This warranty also does not cover normal maintenance such as air filters, adjustments, fuel system cleaning and obstruction (due to chemical, lime, dirt, and so forth).
- **Installation and Maintenance:** This warranty does not apply to equipment or parts that have been subjected to improper or unauthorized installation or alteration and modification, misuse, negligence, accident, overloading, overspeeding, improper maintenance, repair or storage so as, in our judgment, to adversely affect its performance and reliability. This warranty also does not cover normal maintenance such as air filters, adjustments, fuel system cleaning and obstruction (due to chemical, lime, dirt, and so forth).
- **Other Exclusions:** This warranty excludes wear items such as quick couplers, seals, o-rings, pumps that have been run without water supplied or damage or malfunctions resulting from accidents, abuse, modifications, alterations, or improper servicing or freezing or chemical deterioration. Accessory parts, such as guns, hoses, nozzle extensions (wands), and nozzles, are excluded from the product warranty. This warranty excludes used, reconditioned, and demonstration equipment and failures due to acts of God and other force majeure events beyond the manufacturers control.

198187E, Rev. C, 12/31/2006

**BRIGGS & STRATTON POWER PRODUCTS GROUP, LLC**  
**JEFFERSON, WI, USA**



Reserved



## Pressure Washer

### Product Specifications

Outlet Pressure	.2,000 PSI (137.9 BARS)
Flow Rate	1.9 GPM (7.2 liters/min)
Water Supply Temperature	100°F (38°C) MAX
Displacement	9.64 cu. in. (158 cc)
Spark Plug Gap	0.030 in. (0.76 mm)
Fuel Capacity	1 Qt. (0.95 Liters)
Oil Capacity	20 Ounces (0.6 Liters)

### Common Service Parts

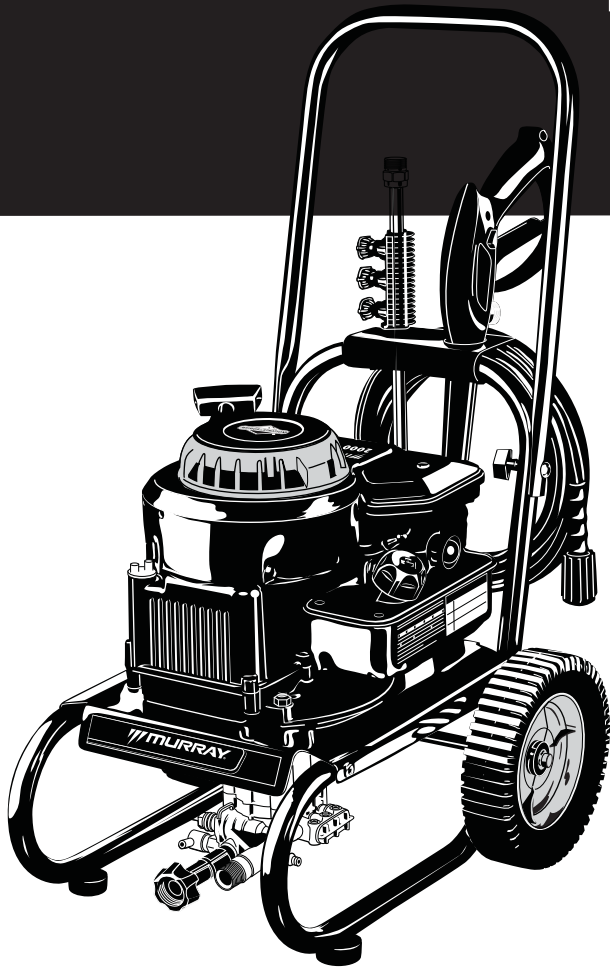
PumpSaver	.6039
O-Ring Maintenance Kit	.6048
Water Inlet Screen	.B2384GS
Air Cleaner	.698369 o 5088
Resistor Spark Plug	.802592 o 5095
Long Life Platinum Spark Plug	.5062
Engine Oil Bottle	.100005
Fuel Stabilizer	.5041
Spark Arrester	.398067

**Power Ratings:** The gross power rating for individual gas engine models is labeled in accordance with SAE (Society of Automotive Engineers) code J1940 (Small Engine Power & Torque Rating Procedure), and rating performance has been obtained and corrected in accordance with SAE J1995 (Revision 2002-05). Torque values are derived at 3060 RPM; horsepower values are derived at 3600 RPM. Actual gross engine power will be lower and is affected by, among other things, ambient operating conditions and engine-to-engine variability. Given both the wide array of products on which engines are placed and the variety of environmental issues applicable to operating the equipment, the gas engine will not develop the rated gross power when used in a given piece of power equipment (actual "on-site" or net power). This difference is due to a variety of factors including, but not limited to, accessories (air cleaner, exhaust, charging, cooling, carburetor, fuel pump, etc.), application limitations, ambient operating conditions (temperature, humidity, altitude), and engine-to-engine variability. Due to manufacturing and capacity limitations, Briggs & Stratton may substitute an engine of higher rated power for this Series engine. This pressure washer is rated in accordance to the Pressure Washer Manufacturer's Association (PWMA) standard PW101 (Testing and Rating Performance of Pressure Washers).

Briggs & Stratton Power Products Group, LLC  
 900 N. Parkway  
 Jefferson, Wisconsin, 53549 U.S.A.



# MANUEL D'UTILISATION



**Nettoyeur  
à pression**



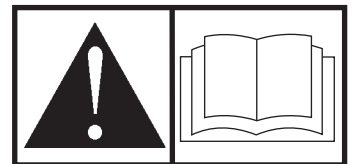
**Avant de retourner ce  
produit pour quelque raison  
que ce soit, veuillez  
communiquer avec nous au :**



**1-800-528-5087**



**[www.murray.com](http://www.murray.com)**



Les caractéristiques nominales de ce nettoyeur à haute pression sont conformes à la norme PW101 de la Pressure Washer Manufacturer's Association (PWMA) (Tests et performance nominale des nettoyeurs à haute pression).

**BRIGGS & STRATTON POWER PRODUCTS GROUP, LLC  
JEFFERSON, WISCONSIN, U.S.A.**

**Merci** d'avoir acheté cette nettoyeur à pression de qualité Briggs & Stratton. Nous sommes heureux que vous fassiez confiance à la marque Murray. Si vous respectez les instructions d'utilisation et d'entretien de ce manuel, vous pourrez vous fier à votre nettoyeur à pression Briggs & Stratton durant de nombreuses années.

**Ce manuel contient** des renseignements sur la sécurité pour vous informer des dangers et des risques associés aux nettoyeur à pressions et à la façon de les éviter. Comme Briggs & Stratton ne connaît pas nécessairement toutes les raisons pour lesquelles cette nettoyeur à pression peut être utilisée, il est important de lire et de bien comprendre ces instructions avant de tenter de démarrer ou d'utiliser cet équipement. **Conservez ces instructions pour référence future.**

**Cette nettoyeur à pression exige un assemblage final avant utilisation.** Consultez la section *Assemblage* de ce manuel pour les directives sur les procédures d'assemblage finales. Suivez ces instructions à la lettre.

## Où nous trouver

Vous n'aurez jamais à chercher bien loin pour trouver un centre de support et service Briggs & Stratton pour votre nettoyeur à pression. Consultez les Pages Jaunes. Il y a plus de 30 000 distributeurs de service après-vente agréés Briggs & Stratton dans le monde qui offrent un service de qualité. Vous pouvez aussi téléphoner au Service à la clientèle de Briggs & Stratton au **(800) 528-5087** ou communiquer avec eux par Internet à l'adresse [www.murray.com](http://www.murray.com).

## Nettoyeur à pression

Numéro de modèle

--	--	--	--	--	--	--	--

Révision

--	--

Numéro de série

--	--	--	--	--	--	--	--	--	--	--	--	--	--	--

## Moteur

Numéro de modèle

--	--	--	--	--	--	--	--

Numéro de type

--	--	--	--	--	--	--	--

Numéro de code

--	--	--	--	--	--	--	--	--	--	--	--	--	--	--	--	--	--

## Date d'achat

--	--	--	--	--	--	--	--

Murray sont de marques de Briggs & Stratton Power Products.

Briggs & Stratton Power Products Group, LLC.  
900 North Parkway  
Jefferson, WI 53549

Copyright © 2009 Briggs & Stratton Power Products Group, LLC. Tous droits réservés. Aucune partie de ce manuel ne peut être reproduite ou transmise sous n'importe quelle forme et par quelque moyen que ce soit sans l'autorisation expresse écrite de Briggs & Stratton Power Products Group, LLC.

# Table des matières

<b>Sécurité de l'opérateur</b> . . . . .	<b>4</b>
Description de l'équipement . . . . .	4
Renseignements importants de sécurité . . . . .	4
<b>Assemblage</b> . . . . .	<b>7</b>
Déballage du nettoyeur à pression . . . . .	7
Fixez la poignée et le plateau pour accessoires . . . . .	7
Ajoutez de l'huile à moteur . . . . .	8
Ajoutez de l'essence . . . . .	8
Raccorder le tuyau et la source d'eau à la pompe . . . . .	9
<b>Fonctions et commandes</b> . . . . .	<b>10</b>
<b>Opération</b> . . . . .	<b>11</b>
Emplacement de la nettoyeur à pression . . . . .	11
Mettre votre nettoyeur à pression en marche . . . . .	11
Comment arrêter votre nettoyeur à pression . . . . .	13
Comment utiliser le plateau pour accessoires . . . . .	13
Comment utiliser les buses . . . . .	13
Application de détergent . . . . .	14
Rincer le nettoyeur à pression . . . . .	15
Tube de siphonnement du détergent . . . . .	15
Système de refroidissement automatique (surpression thermique) . . . . .	15
<b>Entretien</b> . . . . .	<b>16</b>
Calendrier d'entretien . . . . .	16
Entretien du nettoyeur à pression . . . . .	16
Entretien du moteur . . . . .	18
Après chaque utilisation . . . . .	20
Entreposage pour l'hiver . . . . .	21
Entreposage à long terme . . . . .	21
<b>Dépannage</b> . . . . .	<b>22</b>
<b>Garanties</b> . . . . .	<b>23</b>
Garantie du dispositif antipollution . . . . .	23
Garantie du propriétaire d'une nettoyeur à pression . . . . .	25
<b>Caractéristiques</b> . . . . .	<b>26</b>
Caractéristiques du produit . . . . .	26
Pièces d'entretien courant . . . . .	26

# Sécurité de l'opérateur

## Description de l'équipement



Lisez avec soin ce manuel et familiarisez-vous avec votre nettoyeur à pression. Connaissiez ses applications, ses limitations et les dangers qu'il implique.

Ce nettoyeur à haute pression fonctionne à 2 000 lb/po<sup>2</sup> (137.9 bars) et à un débit allant jusqu'à 7.2 litres (1.9 gallons) par minute. Ce système résidentiel de haute qualité est doté d'une pompe à came axiale avec pistons en acier inoxydable, d'un système de refroidissement automatique, d'un système de siphonnement du détergent, d'une rallonge de buse avec raccord de connexion rapide, un assortiment de buses avec raccord de connexion rapide et un boyau de 7.6 m (25 pi) ultrarésistant et plus encore.

Tout a été mis en oeuvre pour que les informations contenues dans ce manuel soient exactes et à jour. Cependant, nous se réserve le droit de changer, d'altérer ou d'améliorer le produit à n'importe quel moment sans avis préalable.

Le Système de contrôle de l'émission du nettoyeur à pression est garanti pour des normes établies par L'Agence de protection de l'environnement et le California Air Resources Board.

## Renseignements importants de sécurité

### Symboles de sécurité et leur signification



Emanations toxiques



Effet de recul



Choc électrique



Surface glissante



Chute



Injection fluide



Feu



Explosion



Manuel d'utilisation



Parties en mouvement



Objets volant



Surface chaude

▲ Le symbole d'alerte de sécurité indique un risque potentiel de blessure personnelle. Un mot signal (**DANGER**, **ATTENTION** ou **AVERTISSEMENT**) est utilisé avec un symbole d'alerte pour vous indiquer le degré ou le niveau du risque. Un symbole de sécurité peut être utilisé pour représenter le type de risque. Le mot signal **AVIS** est utilisé pour traiter les pratiques qui ne sont pas reliées aux blessures personnelles.

▲ Le mot signal **DANGER** indique un danger qui, s'il n'est pas évité, *causera* la mort ou des blessures graves.


▲ Le mot signal **AVERTISSEMENT** indique un risque qui, s'il n'est pas évité, *pourrait* causer la mort ou des blessures graves.

▲ Le mot signal **ATTENTION** indique un risque qui, s'il n'est pas évité, *pourrait* causer des blessures mineures ou modérées.


Le mot **AVIS** est utilisé pour les pratiques qui ne sont pas reliées aux blessures personnelles.

**▲ AVERTISSEMENT:** L'échappement du moteur de ce produit contient des produits chimiques que l'État de Californie considère comme causant le cancer, des déformations à la naissance ou d'autres dangers concernant la reproduction.



**▲ AVERTISSEMENT:** Ce produit contient du plomb et des composés de plomb, produits chimiques reconnus par l'État de la Californie comme causant des malformations congénitales ou d'autres problèmes de reproduction. *Nettoyez-vous les mains après la manipulation de ce produit.*

**▲ AVERTISSEMENT:** Le nettoyeur à pression, lorsqu'il fonctionne, produit du monoxyde de carbone, un gaz toxique inodore et incolore.  L'inhalation du monoxyde de carbone peut causer des maux de tête, de la fatigue, des étourdissements, le vomissement, de la confusion, des crises épileptiques, des nausées, l'évanouissement ou la mort. Certains produits chimiques et détergents peuvent être nocifs en cas d'ingestion ou d'inhalation et peuvent provoquer des nausées, un évanouissement ou un empoisonnement.

- Faites fonctionner le nettoyeur à pression SEULEMENT à l'extérieur.
- Évitez que les gaz d'échappement entrent dans un espace restreint, par une fenêtre, une porte, une prise d'aération ou toute autre ouverture.
- NE démarrez, ni ne faites fonctionner un moteur à l'intérieur ou dans un espace fermé, même si les fenêtres ou les portes sont ouvertes.
- Utilisez un appareil respiratoire ou un masque lorsqu'il y a des risques d'inhalation des vapeurs.
- Lisez toutes les instructions qui accompagnent le masque pour être certain qu'il vous protégera de façon efficace contre l'inhalation des vapeurs nocives.

**▲ AVERTISSEMENT:** Risque d'électrocution.  Tout contact avec une source d'alimentation de courant peut causer un choc électrique ou des brûlures.

- NE pulvérisez JAMAIS près d'une source d'alimentation.

**▲ AVERTISSEMENT:** Usage de pression peut créer puddles et glissant.   Un effet de recul du pistolet de pulvérisation pourrait entraîner une chute.

- Utilisez le nettoyeur à pression à partir d'une surface stable.
- La surface à nettoyer doit être inclinée et équipée d'écoulements afin de réduire la possibilité de chutes dues aux surfaces glissantes.
- Soyez très vigilant si vous devez utiliser le nettoyeur à pression lorsque vous êtes dans une échelle, un échafaudage ou autre emplacement similaire.
- Lorsque vous utilisez une vaporisation à haute pression, saisissez fermement le pistolet de vaporisation avec les deux mains afin d'éviter les risques de blessures entraînés par les effets de recul.

**▲ AVERTISSEMENT:** L'essence et ses vapeurs sont extrêmement inflammables et explosives.



Le feu ou l'explosion risque de provoquer des blessures graves, pouvant être fatales.

#### LORS DE L'AJOUT OU DE LA VIDANGE DU CARBURANT

- Éteignez le nettoyeur à pression et laissez-le refroidir au moins 2 minutes avant de retirer le capuchon du réservoir de carburant. Desserrez lentement le capuchon pour laisser la pression s'échapper du réservoir.
- Remplissez ou vidangez le réservoir d'essence à l'extérieur.
- NE REMPLISSEZ PAS trop le réservoir. Laissez l'expansion de l'essence.
- Si du carburant est renversé, attendez qu'il s'évapore avant de démarrer le moteur.
- Éloignez l'essence des étincelles, des flammes, des veilleuses, de la chaleur et de toute autre source d'inflammation.
- N'ALLUMEZ PAS de cigarette ou ne fumez pas à proximité de l'appareil.

#### LORS DU DÉMARRAGE DE L'ÉQUIPEMENT

- Assurez-vous que la bougie d'allumage, le silencieux, le bouchon à essence et le filtre à air sont en place.
- NE démarrez PAS le moteur lorsque la bougie d'allumage est enlevée.

#### LORSQUE L'ÉQUIPEMENT FONCTIONNE


- NE penchez PAS le moteur ou l'équipement, vous risqueriez de renverser de l'essence.
- NE vaporisez PAS de liquides inflammables.

#### LORSQUE VOUS TRANSPORTEZ OU RÉPAREZ L'ÉQUIPEMENT

- Le réservoir d'essence doit être VIDE ou le robinet d'arrêt de carburant doit être à la position fermée (OFF) pendant le transport ou la réparation.
- Débranchez le câble de bougie.

#### LORSQUE VOUS ENTREPOSEZ L'ESSENCE OU UN ÉQUIPEMENT AVEC UN RÉSERVOIR À ESSENCE

- Entreposez-le loin des appareils de chauffage, des fours, des chauffe-eau, des sècheuses ou de tout autre appareil électroménager disposant d'une veilleuse ou de toute autre source d'inflammation risquant d'enflammer les vapeurs d'essence.

**▲ AVERTISSEMENT:** Un effet de recul (rétroaction rapide) de la corde du démarreur pourrait entraîner des blessures corporelles.  L'effet de recul tirera votre main et votre bras vers le moteur plus rapidement que vous ne pouvez relâcher la corde. Vous risquez ainsi de subir des fractures, des ecchymoses ou des entorses.

- NE tirez JAMAIS sur la corde du démarreur sans avoir d'abord libéré la pression du pistolet de pulvérisation.
- Lors du démarrage du moteur, tirez lentement sur la corde jusqu'à ce que vous sentiez une résistance et tirez alors rapidement afin d'éviter un effet de recul.
- Après chaque tentative de démarrage, alors que le moteur n'a pas démarré, dirigez toujours le pistolet à pulvérisation vers un endroit sécuritaire et appuyez sur le bouton rouge et sur la détente du pistolet de pulvérisation pour libérer la haute pression.
- Lorsque vous utilisez une vaporisation à haute pression, saisissez fermement le pistolet de vaporisation avec les deux mains afin d'éviter les risques de blessures entraînés par les effets de recul.

**⚠ AVERTISSEMENT:** Démarreur et autres tournants peuvent empêcher mains, cheveux, vêtements, ou accessoires.



- N'utilisez JAMAIS un appareil sans bâti ou couvercles protecteurs.
- NE portez PAS de vêtements lâches, de bijoux ou tout ce qui risquerait d'être pris dans le démarreur ou toute autre pièce rotative.
- Embouteiller des cheveux longs et enlève la bijouterie.

**⚠ AVERTISSEMENT:** Tout contact avec la zone du silencieux peut causer des brûlures graves.



La chaleur et les gaz d'échappement peuvent enflammer des matériaux combustibles et les structures ainsi que causer des dommages au réservoir d'essence et entraîner un incendie.

- NE touchez PAS aux pièces chaudes et évitez le contact avec les gaz d'échappement.
- Laissez l'équipement refroidir avant de le toucher.
- Laissez un dégagement d'au moins 1,5 m (5 pi) tout autour de la nettoyeur à pression, y compris au-dessus.
- L'utilisation ou le fonctionnement d'un moteur sur un terrain boisé, couvert de broussailles ou gazonné constitue une violation dans l'État de la Californie, en vertu de la section 4442 du California Public Resources Code, à moins qu'il ne soit doté d'un pare-étincelles tel que défini dans la section 4442 et maintenu en bon état de fonctionnement. Il se peut que d'autres États ou d'autres compétences fédérales aient des lois semblables.

Communiquez avec le fabricant, le détaillant ou le concessionnaire original de l'appareil afin d'obtenir un pare-étincelles conçu pour le système d'échappement installé sur ce moteur.

- Les pièces de rechange doivent être identiques aux pièces d'origine et être installées à la même position.

**⚠ AVERTISSEMENT:** Unintentional peut résulter dans feu ou électrique.



**LORSQUE VOUS RÉGLEZ OU RÉPAREZ VOTRE NETTOYEUR À PRESSION**

- Débranchez toujours le câble de bougie et placez-le de façon à ce qu'il ne soit pas en contact avec la bougie.

**LORS DE TESTS D'ALLUMAGE DU MOTEUR**

- Utilisez un vérificateur de bougies d'allumage approuvé.
- NE vérifiez PAS l'allumage lorsque la bougie d'allumage est enlevée.

**⚠ AVERTISSEMENT:** Risque de blessure aux yeux. Le jet peut rejaillir sur vous ou propulser des objets.



- Portez toujours des lunettes de sécurité à aération indirecte (contre les produits chimiques) spécifiées conformes à ANSI Z87.1 lorsque vous utilisez ou que vous vous trouvez à proximité de cet appareil.
- N'utilisez JAMAIS de lunettes de sécurité ou de lunettes de sécurité pour condition sèche au lieu de lunettes de sécurité à aération indirecte.

**⚠ AVERTISSEMENT:** Le jet d'eau sous pression produit par cet équipement peut percer la peau et les tissus sous-jacents, risquant de provoquer des blessures graves pouvant mener à une amputation.



Le pistolet de pulvérisation retient une pression d'eau élevée, même lorsque le moteur est éteint et que l'eau est déconnectée, ce qui peut causer des blessures.

- N'autorisez JAMAIS des ENFANTS à se servir du nettoyeur à pression.
- Ne réparez JAMAIS les tuyaux à haute pression. Remplacez.
- Ne réparez JAMAIS des raccords non étanches à l'aide de scellant. Remplacez le joint torique ou le joint d'étanchéité.
- Ne connectez JAMAIS le boyau à haute pression à la rallonge de buse.
- Gardez toujours le tuyau flexible à haute pression raccordé à la pompe et au pistolet de pulvérisation lorsque le système est sous pression.
- À chaque fois que vous arrêtez le moteur, dirigez TOUJOURS le pistolet vers un endroit sécuritaire et appuyez sur le bouton rouge et sur la détente du pistolet de pulvérisation pour libérer la haute pression.
- N'visez JAMAIS des personnes, des animaux ou des plantes avec le pistolet pulvérisateur.
- NE verrouillez PAS le pistolet de pulvérisation dans la position ouverte.
- NE laissez PAS le pistolet de pulvérisation sans surveillance alors que l'appareil est en marche.
- N'utilisez JAMAIS un pistolet de pulvérisation qui n'est pas muni d'un verrou d'arme ou d'un pontet installé et en ordre de marche.
- Assurez-vous toujours que le pistolet de pulvérisation, les buses et les accessoires sont bien fixés.

**AVIS:** Le jet à haute pression risque d'endommager les articles fragiles comme le verre.

- NE PAS diriger le pistolet de pulvérisation vers les vitres lorsque la buse rouge 0° est utilisée.
- N'visez JAMAIS des plantes avec le pistolet pulvérisateur.

**AVIS:** Le traitement inadéquat du nettoyeur à pression peut l'endommager et réduire sa durée de vie utile.

- Si vous avez des questions à propos de l'utilisation prévue de cet appareil, consultez votre détaillant.
- N'utilisez JAMAIS un appareil ayant des pièces brisées ou manquantes ou sans bâti ou couvercles protecteurs.
- NE neutralisez AUCUN dispositif de sécurité de cette machine.
- NE modifiez PAS la vitesse réglée du moteur.
- N'utilisez PAS le nettoyeur à pression à des valeurs excédant la pression nominale.
- NE modifiez PAS le nettoyeur à pression.
- Par temps froid, avant de démarrer le nettoyeur à pression, vérifiez-en tous les éléments pour vous assurer qu'aucune glace ne s'y est formée.
- N'utilisez JAMAIS le tuyau à haute pression comme poignée pour déplacer l'appareil. Utilisez toujours la poignée de l'appareil.
- Vérifiez la présence de fuites ou les signes de détérioration du système de combustible, comme un tuyau usé ou spongieux, des brides de serrage desserrées ou manquantes, ou un réservoir ou un bouchon endommagé. Réparez toutes les déficiences avant d'utiliser le nettoyeur à pression.
- Cet appareil est conçu pour être utilisé uniquement avec des pièces Briggs & Stratton approuvées. Si l'appareil est utilisé avec des pièces qui NE sont PAS conformes aux caractéristiques minimales, tous les risques et responsabilités incomberont à l'utilisateur.



## Assemblage



Lisez le manuel de l'opérateur en entier avant de tenter d'assembler ou d'utiliser votre nouveau nettoyeur à haute pression.

Votre nettoyeur à pression doit être assemblée et vous pourrez l'utiliser après l'avoir correctement remplie d'huile et d'essence recommandées.

Si vous avez n'importe quels problèmes avec l'assemblée de votre nettoyeur à pression, s'il vous plaît appeler le helpline de nettoyeur à pression à **(800) 528-5087**. Si vous téléphonez pour obtenir de l'aide, veuillez avoir disponibles les renseignements du étiquettes d'identification: numéro de modèle, de révision et de série. Consultez la section *Commandes et fonctions* de la nettoyeur à pression pour connaître l'emplacement de l'étiquettes d'identification.

### Déballage du nettoyeur à pression

1. Enlevez tous les composants de la boîte d'expédition à l'exception du nettoyeur à pression.
2. Ouvrez la boîte d'expédition en coupant tous les coins du haut vers le bas.
3. Enlevez le nettoyeur à pression de la boîte d'expédition.

#### Les articles dans la boîte incluent:

- Appareil principal
- Poignée
- Tuyau à haute pression
- Pistolet pulvérisateur
- Rallonge de buse à raccord rapide
- Plateau pour accessoires en plastique
- Huile à moteur
- Sac de pièces (comprenant les pièces énumérées ci-dessous):
  - Manuel d'utilisation
  - Carte d'enregistrement du propriétaire
  - Sac de 3 buses multicolores
  - Ensemble de quincaillerie d'assemblage de la poignée/plateau pour accessoires (comprenant):
    - Boulons de carrosserie, (2)
    - Boutons en plastique, (2)
    - Agrafes, (2)

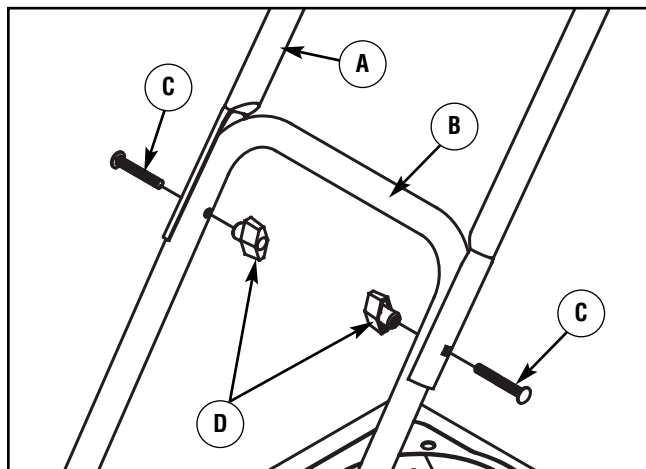
#### Pour mettre le nettoyeur pression en état de fonctionnement, les tâches suivantes doivent être effectuées:

1. Remplissez et envoyez la carte d'enregistrement.
2. Fixez la poignée et le plateau pour accessoires à l'unité principale.
3. Ajoutez de l'huile au carter du moteur.
4. Ajoutez de l'essence dans le réservoir.

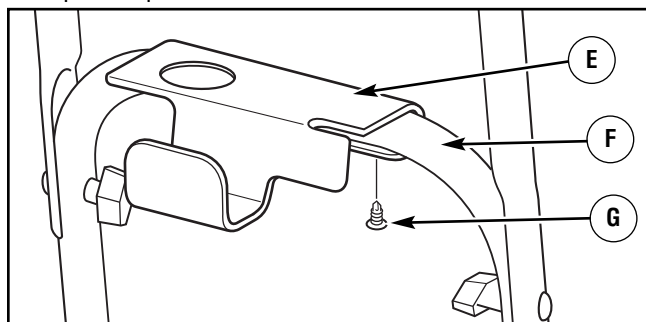
5. Branchez le tuyau à haute pression au pistolet pulvérisateur et à la pompe.
6. Branchez la source d'alimentation d'eau à la pompe.
7. Connectez la rallonge de buse sur le pistolet de pulvérisation.
8. Choisissez et installez une buse à raccord rapide sur la rallonge de buse.

### Fixez la poignée et le plateau pour accessoires

1. Placez la poignée (A) sur la base (B). Assurez-vous que les trous de la poignée sont alignés avec ceux de la base.



2. Insérez les boulons de carrosserie (C) dans les trous à l'extérieur de l'unité, puis fixez un bouton en plastique (D) à partir de l'intérieur de l'unité. Serrez à la main.
3. Placez le plateau pour accessoires (E) sur la base (F) (en regardant à partir de l'arrière de l'unité). Assurez-vous que les trous du plateau pour accessoires sont alignés avec ceux de la base. Poussez les agrafes (G) dans les trous jusqu'à ce qu'elles reposent sur le plateau pour accessoires.



4. Insérez les accessoires fournis dans les espaces prévus sur le plateau pour accessoires. Consultez la section *Comment utiliser le plateau pour accessoires*.

## Ajoutez de l'huile à moteur

1. Placez le nettoyeur à pression sur une surface plane.
2. Nettoyez la surface autour de l'orifice de remplissage d'huile et enlevez la jauge d'huile.
3. À l'aide d'un entonnoir pour huile (optionnel), versez lentement le contenu complet de la bouteille d'huile fournie dans l'orifice de remplissage.

**AVIS:** Un traitement inapproprié du nettoyeur à pression risque de l'endommager et de raccourcir sa durée d'utilisation.

- NE tentez JAMAIS de démarrer le moteur sans d'abord vérifier s'il a été entretenu de façon appropriée avec l'huile recommandée. Cela risquerait d'entraîner un bris de moteur.

4. Remplacez la jauge d'huile et serrez-la solidement.

## Ajoutez de l'essence

### L'essence satisfait les exigences suivantes:

- Essence sans plomb fraîche et propre.
- Un indice d'octane minimum de 87/87 AKI (91 IOR). Utilisation à des altitudes élevées, consultez la section *Altitude élevée*.
- Une essence avec jusqu'à 10 % d'éthanol (gazohol) ou jusqu'à 15 % d'éther méthyltertiobutylique est acceptable.

**AVIS:** Évitez d'endommager le nettoyeur à pression. Le manquement à suivre les recommandations relatives à l'huile du manuel d'utilisation annule la garantie.

- NE PAS utiliser d'essence non approuvée telle que E85.
- NE PAS mélanger l'huile avec l'essence.
- NE PAS modifier le moteur afin qu'il fonctionne avec d'autres types d'essence.

Au moment d'ajouter de l'essence, la mélanger avec un stabilisateur d'essence afin de protéger le circuit d'alimentation contre la formation de dépôts de gomme. Voir *Entreposage*. Les essences ne sont pas toutes pareilles. Si vous éprouvez des problèmes de démarrage ou de performance après avoir utilisé une essence, changez de fournisseur d'essence ou de marque d'essence. Le fonctionnement du moteur avec de l'essence est certifié. Ce dispositif antipollution pour ce moteur est de type EM (Modifications de moteur).

**⚠ AVERTISSEMENT:** L'essence et ses vapeurs sont extrêmement inflammables et explosives.

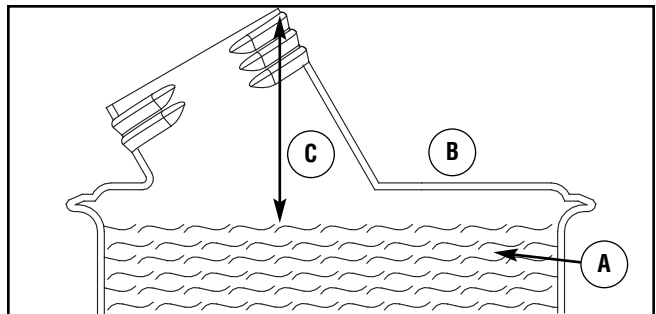


Le feu ou l'explosion risque de provoquer des blessures graves, pouvant être fatales.

### LORS DE L'AJOUT DU CARBURANT

- Éteignez le nettoyeur à pression et laissez-le refroidir au moins 2 minutes avant de retirer le capuchon du réservoir de carburant. Desserrez lentement le capuchon pour laisser la pression s'échapper du réservoir.
- Remplissez ou vidangez le réservoir d'essence à l'extérieur.
- NE remplissez PAS trop le réservoir. Laissez l'expansion de l'essence.
- Attendez le carburant renversé pour s'évaporer avant de démarrer le moteur.
- Éloignez l'essence des étincelles, des flammes, des veilleuses, de la chaleur et de toute autre source d'inflammation.
- N'ALLUMEZ PAS de cigarette ou ne fumez pas à proximité de l'appareil.

1. Nettoyez la partie autour du bouchon du réservoir d'essence, enlevez le bouchon.
2. Ajoutez lentement de l'essence "SANS PLOMB" (A) dans le réservoir (B). Utilisez un entonnoir pour éviter d'en renverser. Remplissez lentement le réservoir jusqu'à environ 4 cm (1.5") (C) au-dessus du col de remplissage.



3. Installez le bouchon à essence et attendez le carburant renversé pour s'évaporer.

### Altitude élevée

À des altitudes de plus de 5 000 pi (1 524 m), il convient d'utiliser des essences présentant un indice d'octane minimal de 85/85 AKI (89 IOR). Un réglage pour les altitudes élevées est requis pour respecter les normes relatives aux émissions. Une utilisation sans ce réglage entraîne une diminution de la performance ainsi qu'une augmentation de la consommation d'essence et des émissions. Consultez un détaillant autorisé Briggs & Stratton pour des renseignements sur les réglages pour les altitudes élevées. L'utilisation à des altitudes inférieures à 762 mètres (2 500 pieds) avec la trousse pour les altitudes élevées est déconseillée.

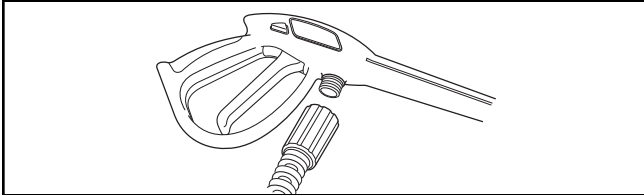
## Raccorder le tuyau et la source d'eau à la pompe

**AVIS:** NE faites PAS marcher la pompe sans que le nettoyeur à pression soit connecté à la source d'eau ouverte.

- Vous devez suivre cet avertissement, au risque d'endommager la pompe.

**IMPORTANT:** Enlevez et jetez les bouchons d'expédition de la sortie haute pression de la pompe et de l'admission de l'eau avant de brancher les boyaux.

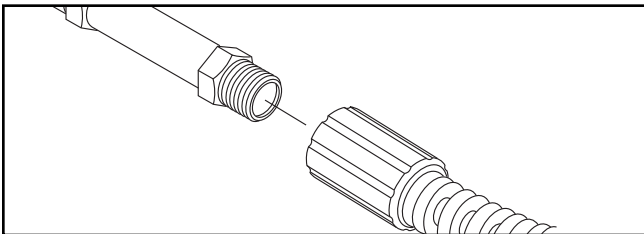
1. Déroulez le tuyau à haute pression et fixez le à la base du pistolet pulvérisateur. Serrez manuellement.



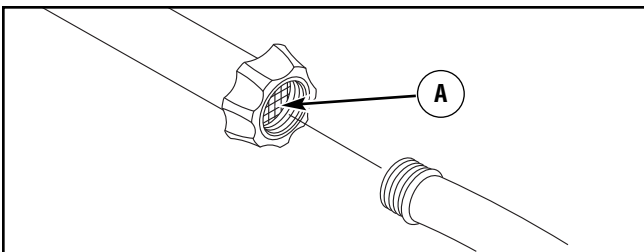
**▲ AVERTISSEMENT:** Le jet d'eau sous pression produit par cet équipement peut percer la peau et les tissus sous-jacents, risquant de provoquer des blessures graves pouvant mener à une amputation.

- Ne connectez JAMAIS le boyau à haute pression à la rallonge de buse.
- Gardez toujours le tuyau flexible à haute pression raccordé à la pompe et au pistolet de pulvérisation lorsque le système est sous pression.
- Assurez-vous toujours que le pistolet de pulvérisation, les buses et les accessoires sont bien fixés.

2. Fixez l'autre extrémité du tuyau à haute pression à la prise haute pression sur la pompe. Serrez manuellement.



3. Avant de brancher votre tuyau d'arrosage à la prise d'eau, inspectez le filtre intégré (A). Nettoyez la filtre intégré si elle contient des débris, remplacez-la si elle est endommagée. NE vous servez PAS du nettoyeur à pression si la filtre intégré est endommagée.



4. Faites couler de l'eau dans le tuyau d'arrosage pendant 30 secondes pour nettoyer tous les débris. Fermez le robinet d'eau.

**IMPORTANT:** NE siphonnez PAS de l'eau stagnante pour vous en servir. Utilisez SEULEMENT de l'eau froide (à moins de 100°F (38°C)).

5. Connectez le tuyau d'arrosage (ne pas dépasser 50 pieds dans la longueur) à la prise d'eau. Serrez manuellement.

**AVIS:** L'utilisation d'un clapet de non-retour (reniflard ou soupape de sûreté) à l'entrée de la pompe peut entraîner l'endommagement de la pompe ou du connecteur d'entrée.

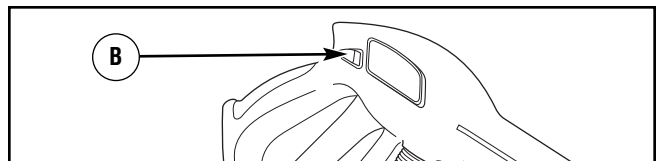
- Il doit y avoir une longueur d'au moins dix pieds (trois mètres) de boyau d'arrosage libre entre l'entrée du nettoyeur à haute pression et tout dispositif, tel que reniflard ou soupape de sûreté.
- Les dommages infligés au nettoyeur à pression par suite de ne pas avoir respecté cette consigne, ne seront pas couverts par la garantie.

**▲ AVERTISSEMENT:** Risque de blessure aux yeux.

Le jet peut rejaillir sur vous ou propulser des objets.

- Portez toujours des lunettes de sécurité à aération indirecte (contre les produits chimiques) spécifiées conformes à ANSI Z87.1 lorsque vous utilisez ou que vous vous trouvez à proximité de cet appareil.
- N'utilisez JAMAIS de lunettes de sécurité ou de lunettes de sécurité pour condition sèche au lieu de lunettes de sécurité à aération indirecte.

6. Ouvrez l'eau, appuyez sur le bouton rouge (B) du pistolet et sur la détente pour purger la pompe de l'air et des impuretés qui s'y trouvent.



### Liste de vérifications avant de démarrer le moteur

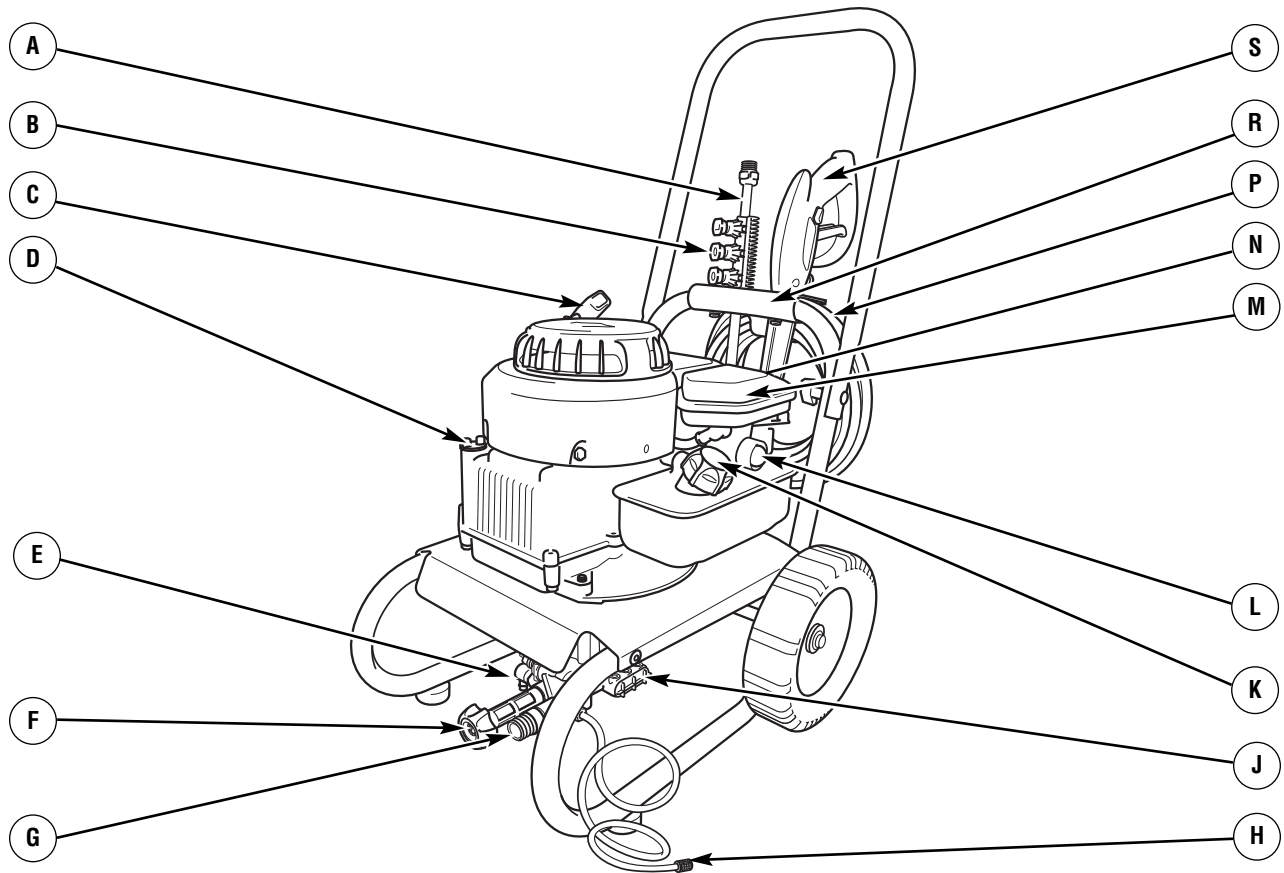
Examinez l'assemblage de l'appareil pour confirmer que vous avez effectué tout ce qui suit:

1. Assurez-vous d'avoir lu les *Règles de Sécurité et Comment Utiliser Votre Nettoyeur à Pression* avant de l'utiliser.
2. Assurez-vous que la poignée est en place et bien fixée.
3. Vérifiez qu'il y a de l'huile dans le carter, jusqu'au niveau approprié.
4. Ajoutez de l'essence dans le réservoir.
5. Vérifiez que les connexions du tuyau sont correctement serrées (haute pression et eau) et qu'il n'y ait pas de coude, de coupures ou d'endroits abîmés.
6. Fournissez de l'eau à une cadence appropriée.

## Fonctions et commandes



Lisez ce manuel d'utilisation ainsi que les règles de sécurité avant de faire fonctionner votre nettoyeur à pression. Comparez les illustrations avec votre nettoyeur à pression pour vous familiariser avec l'emplacement des différents boutons et réglages. Conservez ce manuel pour référence ultérieure.



- A - Rallonge de buse à raccord rapide** — Cette rallonge vous permet de changer les buses (trois modèles différents).
- B - Buses** — Détergent, 0° et 25° : pour les différentes applications de nettoyage à haute pression.
- C - Démarreur à recul** — Utilisé pour démarrer le moteur manuellement.
- D - Bouchon de remplissage/Jauge d'huile** — Vérifiez le niveau d'huile, remplissez et videz l'huile à moteur ici.
- E - Système de refroidissement automatique** — Fait circuler l'eau dans la pompe lorsqu'elle atteint 51° à 68°C (125° à 155°F). L'eau chaude s'écoulera de la pompe sur le sol. Ce système empêche la pompe interne de s'abîmer.
- F - Prise d'eau** — Branchement pour le tuyau d'arrosage.
- G - Prise haute pression** — Vous permet de brancher le tuyau à haute pression.
- H - Filtro y Tubo para Recolección de Detergente** — Usado para succionar detergente de la botella de químicos a la corriente de agua de baja presión.
- J - Pompe** — Développe une pression élevée.
- K - Réservoir d'essence** — Remplissez le réservoir avec de l'essence ordinaire sans plomb. Laissez toujours de la place pour l'expansion de l'essence.

- L - Pompe d'amorçage** — Prépare un moteur froid pour le démarrage.
- M - Filtre à air** — Filtre de type sec qui limite la quantité de poussières et de saletés dans le moteur.
- N - Manette de poussée** — Cette manette place le moteur en mode démarrage pour le lanceur et éteint le moteur en marche.
- P - Tuyau à haute pression** — Raccordez une extrémité à la pompe à eau et l'autre au pistolet de pulvérisation.
- R - Plateau pour accessoires** — Fournit un espace de rangement pratique pour les accessoires.
- S - Pistolet de pulvérisation** — Un dispositif de détente permet de contrôler le jet d'eau sur la surface à nettoyer. Le pistolet est muni d'un verrou de sécurité.

### Articles non montrés:

#### Étiquettes d'identification (près de l'arrière de la plaque de fond)

— Indique le numéro de modèle et de série du nettoyeur à haute pression. Veuillez avoir ces renseignements sous la main lors d'appel de service.

**Étiquette Avertissement/Directives d'utilisation** — Identifie les risques et la procédure appropriée pour le démarrage et l'arrêt du nettoyeur à haute pression.

## Opération

Si vous éprouvez des problèmes lors de l'utilisation de votre nettoyeur à haute pression, veuillez appeler la ligne d'aide du nettoyeur à haute pression au **(800) 528-5087**.

### Emplacement de la nettoyeur à pression

#### Dégagement de la nettoyeur à pression

**▲ AVERTISSEMENT:** La chaleur et les gaz d'échappement peuvent enflammer des matériaux combustibles et les structures ainsi que causer des dommages au réservoir d'essence et entraîner un incendie.

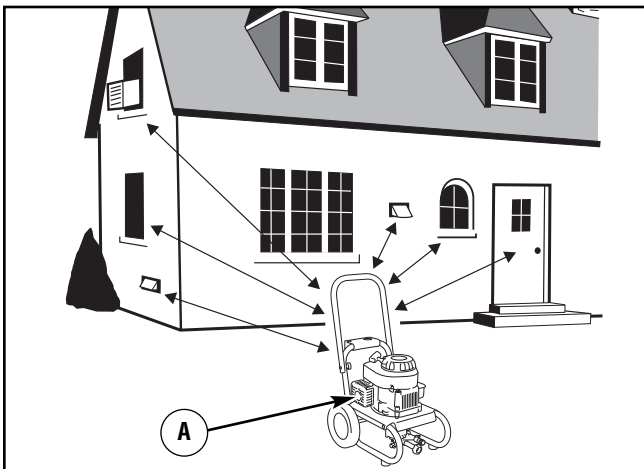
- Laissez un dégagement d'au moins 1,5 m (5 pi) tout autour de la nettoyeur à pression, y compris au-dessus.

Placez la nettoyeur à pression dans un endroit bien ventilé qui permet l'élimination des gaz d'échappement mortels. N'installez PAS la nettoyeur à pression dans un endroit où les gaz d'échappement (**A**) pourraient s'accumuler et pénétrer ou être aspirés dans un édifice qui pourrait être occupé. Assurez-vous que les gaz d'échappement ne puissent entrer par une fenêtre, une porte, une prise d'aération ou une autre ouverture qui pourrait leur permettre de s'accumuler dans un espace restreint. Tenez aussi compte des vents dominants et des courants d'air au moment de choisir l'endroit où vous installerez la nettoyeur à pression.

**▲ AVERTISSEMENT:** Le nettoyeur à pression, lorsqu'il fonctionne, produit du monoxyde de carbone, un gaz toxique inodore et incolore.

L'inhalation du monoxyde de carbone peut causer des maux de tête, de la fatigue, des étourdissements, le vomissement, de la confusion, des crises épileptiques, des nausées, l'évanouissement ou la mort.

- Faites fonctionner le nettoyeur à pression SEULEMENT à l'extérieur.
- Évitez que les gaz d'échappement entrent dans un espace restreint, par une fenêtre, une porte, une prise d'aération ou toute autre ouverture.
- NE démarrez, ni ne faites fonctionner un moteur à l'intérieur ou dans un espace fermé, même si les fenêtres ou les portes sont ouvertes.



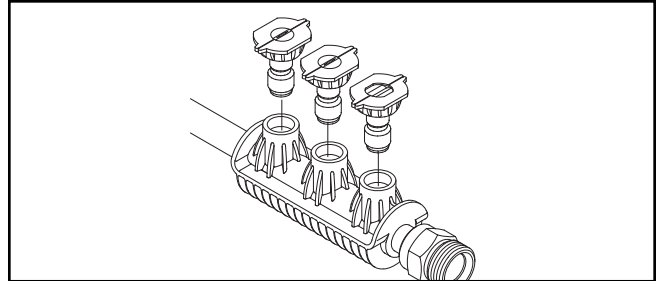
### Mettre votre nettoyeur à pression en marche

Pour démarrer votre nettoyeur à haute pression la première fois, suivez ces instructions pas à pas. Cette information qui vous aide à mettre votre nettoyeur à haute pression en marche s'applique également s'il est resté sans fonctionner pendant au moins une journée.

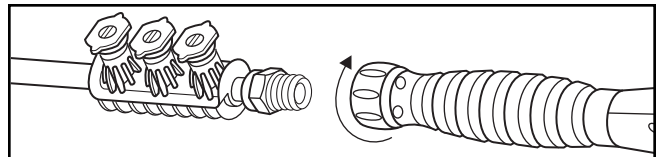
1. Placer la rondelle de pression près d'un hors de la source d'eau capable d'alimentation d'eau à un taux de flux plus grand que 2.9 gallons (11.0 l) par la minute et aucun moins que 20 PSI (1.38 BARS) à la fin de nettoyeur à pression du tuyau de jardin.
2. Vérifiez que le tuyau à haute pression est bien serré sur le pistolet pulvérisateur et sur la pompe. Consultez les illustrations de la rubrique *Assemblage*.
3. Vérifiez que l'appareil est en position horizontale.
4. Branchez le tuyau d'arrosage à la source d'eau sur la pompe du nettoyeur à pression.

**AVIS:** NE faites PAS marcher la pompe sans que le nettoyeur à pression soit connecté à la source d'eau ouverte.

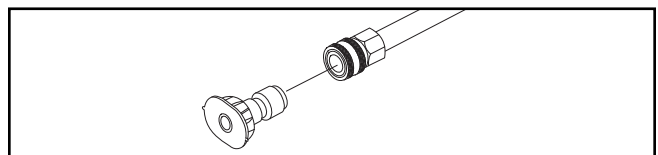
- Vous devez suivre cet avertissement, au risque d'endommager la pompe.
5. Ouvrez l'eau, appuyez sur le bouton rouge du pistolet et sur la détente pour purger la pompe de l'air et des impuretés qui s'y trouvent.
  6. Placez les buses à raccord rapide à leur emplacement approprié sur le support relié à la rallonge de buse.



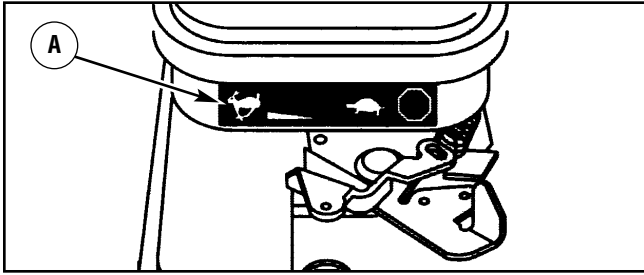
7. Fixez la rallonge du gicleur au pistolet pulvérisateur. Serrez manuellement.



8. Choisissez la buse que vous voulez utiliser, tirez la bague de la rallonge de buse, insérez la buse, puis relâchez la bague. Vérifiez si la buse est correctement installée en tirant dessus. Consultez la section *Comment utiliser les buses*.



9. Placez la manette de poussée de puissance en position "Rapide" (A), illustrée ici par un lapin.



**Pour démarrer le moteur pour la première fois:**

- 10A. Poussez la pompe d'amorçage fermement 5 fois, en attendant 2 secondes entre chaque poussée.

**Par la suite, pour démarrer le moteur:**

- 10B. Actionnez la pompe d'amorçage fermement 3 fois, en attendant 2 secondes entre chaque poussée. Si le moteur est chaud, N'actionnez PAS la pompe d'amorçage.

**IMPORTANT:** Avant de démarrer le nettoyeur à haute pression, assurez-vous de porter des lunettes de sécurité tel que décrit ci-dessous.

**▲ AVERTISSEMENT:** Risque de blessure aux yeux.

Le jet peut rejillir sur vous ou propulser des objets.

- Portez toujours des lunettes de sécurité à aération indirecte (contre les produits chimiques) spécifiées conformes à ANSI Z87.1 lorsque vous utilisez ou que vous vous trouvez à proximité de cet appareil.
- N'utilisez JAMAIS de lunettes de sécurité ou de lunettes de sécurité pour condition sèche au lieu de lunettes de sécurité à aération indirecte.

11. Lors du démarrage du moteur, placez-vous tel que recommandé, saisissez la poignée du démarreur et tirez lentement jusqu'à ce que vous sentiez de la résistance. Tirez alors rapidement pour démarrer le moteur.




**▲ AVERTISSEMENT:** Un effet de recul (rétroaction rapide) de la corde du démarreur pourrait entraîner des blessures corporelles. L'effet de recul tirera votre main et votre bras vers le moteur plus rapidement que vous ne pouvez relâcher la corde.

Vous risquez ainsi de subir des fractures, des ecchymoses ou des entorses.

- NE tirez JAMAIS sur la corde du démarreur sans avoir d'abord libéré la pression du pistolet de pulvérisation.
- Lors du démarrage du moteur, tirez lentement sur la corde jusqu'à ce que vous sentiez une résistance et tirez alors rapidement afin d'éviter un effet de recul.
- Après chaque tentative de démarrage, alors que le moteur n'a pas démarré, dirigez toujours le pistolet à pulvérisation vers un endroit sécuritaire et appuyez sur le bouton rouge et sur la détente du pistolet de pulvérisation pour libérer la haute pression.
- Lorsque vous utilisez une vaporisation à haute pression, saisissez fermement le pistolet de vaporisation avec les deux mains afin d'éviter les risques de blessures entraînés par les effets de recul.

12. Ramenez la poignée du démarreur lentement. NE laissez PAS le cordon se frapper contre le démarreur.

**REMARQUE:** Toujours garder la manette de poussée dans le "Rapide" la position  en opérant la nettoyeur à pression.

**▲ AVERTISSEMENT:** Le jet d'eau sous pression produit par cet équipement peut percer la peau et les tissus sous-jacents, risquant de provoquer des blessures graves pouvant mener à une amputation.



Le pistolet de pulvérisation retient une pression d'eau élevée, même lorsque le moteur est éteint et que l'eau est déconnectée, ce qui peut causer des blessures.

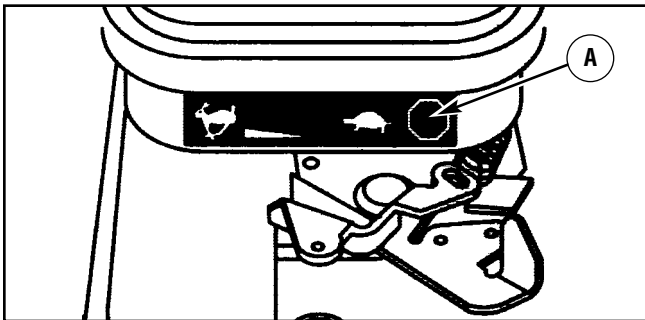
- N'autorisez JAMAIS des ENFANTS à se servir du nettoyeur à pression.
- Gardez toujours le tuyau flexible à haute pression raccordé à la pompe et au pistolet de pulvérisation lorsque le système est sous pression.
- N'visez JAMAIS des personnes, des animaux ou des plantes avec le pistolet pulvérisateur.
- NE verrouillez PAS le pistolet de pulvérisation dans la position ouverte.
- NE laissez PAS le pistolet de pulvérisation sans surveillance alors que l'appareil est en marche.
- N'utilisez JAMAIS un pistolet de pulvérisation qui n'est pas muni d'un verrou d'arme ou d'un pontet installé et en ordre de marche.
- Assurez-vous toujours que le pistolet de pulvérisation, les buses et les accessoires sont bien fixés.

**⚠ AVERTISSEMENT:** Tout contact avec la zone du silencieux peut causer des brûlures graves. La chaleur et les gaz d'échappement peuvent enflammer des matériaux combustibles et les structures ainsi que causer des dommages au réservoir d'essence et entraîner un incendie.

- NE touchez PAS aux pièces chaudes et évitez le contact avec les gaz d'échappement.
- Laissez l'équipement refroidir avant de le toucher.
- Laissez un dégagement d'au moins 1,5 m (5 pi) tout autour de la nettoyeur à pression, y compris au-dessus.
- L'utilisation ou le fonctionnement d'un moteur sur un terrain boisé, couvert de broussailles ou gazonné constitue une violation dans l'État de la Californie, en vertu de la section 4442 du California Public Resources Code, à moins qu'il ne soit doté d'un pare-étincelles tel que défini dans la section 4442 et maintenu en bon état de fonctionnement. Il se peut que d'autres États ou d'autres compétences fédérales aient des lois semblables. Communiquez avec le fabricant, le détaillant ou le concessionnaire original de l'appareil afin d'obtenir un pare-étincelles conçu pour le système d'échappement installé sur ce moteur.
- Les pièces de rechange doivent être identiques aux pièces d'origine et être installées à la même position.

### Comment arrêter votre nettoyeur à pression

1. Relâchez la détente du pistolet de pulvérisation et laissez le moteur tourner au ralenti durant deux minutes.
2. Placez le manette de poussée du moteur en position "Slow" , puis à la position "Stop"  (A).



3. Dirigez TOUJOURS le pistolet vers un endroit sécuritaire et appuyez sur le bouton rouge et sur la détente du pistolet de pulvérisation pour libérer la haute pression.

**IMPORTANT:** Le pistolet de pulvérisation retient une pression d'eau élevée, même lorsque le moteur est éteint et que l'eau est déconnectée.

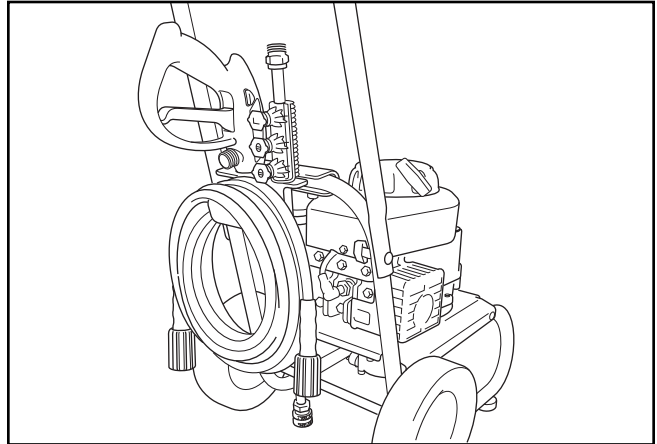
**⚠ AVERTISSEMENT:** Le jet d'eau sous pression produit par cet équipement peut percer la peau et les tissus sous-jacents, risquant de provoquer des blessures graves pouvant mener à une amputation. Le pistolet de pulvérisation retient une pression d'eau élevée, même lorsque le moteur est éteint et que l'eau est déconnectée, ce qui peut causer des blessures.

- Gardez toujours le tuyau flexible à haute pression raccordé à la pompe et au pistolet de pulvérisation lorsque le système est sous pression.
- À chaque fois que vous arrêtez le moteur, dirigez TOUJOURS le pistolet vers un endroit sécuritaire et appuyez sur le bouton rouge et sur la détente du pistolet de pulvérisation pour libérer la haute pression.

### Comment utiliser le plateau pour accessoires

L'unité est dotée d'un plateau pour accessoires servant à ranger le pistolet de pulvérisation, la rallonge de buse et le boyau à haute pression.

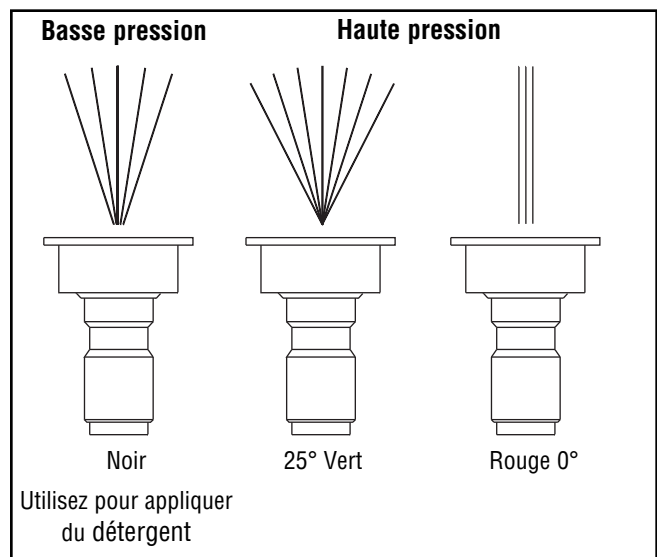
1. Insérez la rallonge de buse par le trou du plateau pour accessoires, tel que montré.



2. Insérez le pistolet à pulvérisation par le trou du plateau pour accessoires, du côté droit de l'unité, tel que montré.
3. Suspendez le tuyau à haute pression sur le crochet, tel que montré.

### Comment utiliser les buses

Le raccord rapide de la rallonge de buse vous permet de changer les trois différentes buses. Les buses peuvent être changées pendant que le nettoyeur à haute pression est en marche, alors que le verrou de la détente du pistolet de pulvérisation est engagé. Chacune des buses donne un jet différent, tel qu'indiqué ci-dessus.



**Pour changer les buses, veuillez suivre les directives suivantes:**

1. Tirez la bague du raccord rapide et retirez la buse qui est déjà en place. Rangez les buses dans le support fixé à la rallonge de buse.

**▲ AVERTISSEMENT:** Le jet d'eau sous pression produit par cet équipement peut percer la peau et les tissus sous-jacents, risquant de provoquer des blessures graves pouvant mener à une amputation.

- Ne changez JAMAIS les buses sans avoir d'abord enclenché le verrou de la détente du pistolet de pulvérisation.
- NE tournez PAS les buses pendant la pulvérisation.

2. Choisissez la buse désirée:

- Pour un rinçage délicat, prenez la buse vert 25°.
- Pour récurer une surface, choisissez la buse rouge 0°.
- Pour appliquer un produit détergent, sélectionnez la buse noire.

### Conseils d'utilisation

- Tirez la bague, insérez la nouvelle buse, puis relâchez la bague. Vérifiez si la buse est correctement installée en tirant dessus.
- Pour obtenir un nettoyage optimal, gardez la buse à une distance de 8 à 24 pouces de la surface à nettoyer. Si la buse est trop près, vous risquez d'endommager la surface à nettoyer.
- NE vous approchez PAS à moins de 6 pouces lors du nettoyage de pneus.

### Application de détergent

**▲ ATTENTION:** Les produits chimiques peuvent entraîner des blessures corporelles ou des dommages matériels.

- Ne JAMAIS utiliser de liquide caustique avec le nettoyeur à haute pression.
- Utilisez SEULEMENT des détergents/savons sans risque d'endommagement pour le nettoyeur à pression.

**Pour appliquer des produits détergents, procédez comme suit:**

1. Réviser la partie sur l'utilisation de la buse.
2. Préparez une solution détergente comme requis par le fabricant.

3. Placez la petite extrémité du filtre du tube siphon dans le récipient de détergent.

**REMARQUE:** Assurez-vous que le filtre est entièrement immergé dans le détergent lors de l'application du détergent.

**AVIS:** Tout contact avec le silencieux chaud peut endommager le tube de siphonnement du détergent.

- Lorsque vous insérez le filtre dans une bouteille de solution de détergent, placez le tube de manière à ce qu'il n'entre pas en contact par mégarde avec le silencieux chaud.

4. Assurez-vous que la buse pour détergent est installée.

**REMARQUE:** Les buses à haute pression (vert et rouge) ne peuvent pas être utilisées pour appliquer du détergent.

5. Assurez-vous que le boyau d'arrosage est connecté à l'entrée d'eau. Vérifiez si le boyau à haute pression est connecté au pistolet de pulvérisation et à la pompe. Ouvrez l'alimentation d'eau.

**AVIS:** Vous devez attacher tous les tuyaux avant de démarrer le moteur.

- Si vous démarrez le moteur sans que tous les tuyaux soient branchés et sans que l'eau soit OUVRETE, vous allez abîmer la pompe.
- Vous devez suivre cet avertissement, au risque d'endommager la pompe.

6. Démarrez le moteur selon les directives *Comment démarrer votre nettoyeur à pression*.

7. Appliquez le détergent sur une surface sèche, en commençant par la partie inférieure de la surface à nettoyer et travaillez vers le haut, avec de longs mouvements réguliers et qui se chevauchent.

8. Laissez le détergent "tremper" pendant 3 à 5 minutes avant de laver et de rincer. Appliquez à nouveau, si besoin est, pour éviter que la surface ne sèche. NE laissez PAS le détergent sécher (pour éviter les traces).

**IMPORTANT:** Vous devez rincer le système d'injection de produits détergents après chaque utilisation en plaçant le filtre dans un seau rempli d'eau claire, puis faire fonctionner le nettoyeur à pression à basse pression pendant 1 à 2 minutes.



## Rincer le nettoyeur à pression

### Pour rincer:

1. Enlevez la buse noire de la rallonge de buse.
2. Sélectionnez la buse à haute pression désirée et installez-la en suivant les directives décrites dans la section *Comment utiliser les buses*.
3. NE placez PAS le pistolet pulvérisateur trop près de la surface que vous désirez pulvériser.

**▲ AVERTISSEMENT:** Un effet de recul du pistolet de pulvérisation pourrait entraîner une chute.



- Utilisez le nettoyeur à pression à partir d'une surface stable.
- Soyez très vigilant si vous devez utiliser le nettoyeur à pression lorsque vous êtes dans une échelle, un échafaudage ou autre emplacement similaire.
- Lorsque vous utilisez une vaporisation à haute pression, saisissez fermement le pistolet de vaporisation avec les deux mains afin d'éviter les risques de blessures entraînés par les effets de recul.

4. Appliquez le jet à haute pression sur une petite surface, puis vérifiez-la pour voir si elle n'est pas abîmée. Si elle n'est pas abîmée, vous pouvez continuer.
5. Commencez en haut de l'endroit que vous devez rincer, en descendant avec les mêmes mouvements qui se chevauchent comme lorsque vous avez nettoyé.

### Tube de siphonnement du détergent

Si vous utilisez le tube de siphonnement du détergent, vous devez le rincer à l'eau propre avant d'arrêter le moteur.

1. Placez le siphon/filtre d'injection de produits chimiques dans un seau rempli d'eau.
2. Retirez la buse à haute pression de la rallonge de buse.
3. Sélectionnez et installez la buse noire de détergeant selon les directives décrites dans la section *Comment utiliser les buses*.

4. Rincez durant 1 à 2 minutes.
5. Arrêtez le moteur selon les directives *Comment arrêter le nettoyeur à pression* et fermez l'alimentation en eau.
6. Dirigez TOUJOURS le pistolet à pulvérisation vers un endroit sécuritaire et appuyez sur le bouton rouge et sur la détente du pistolet de pulvérisation pour libérer la haute pression de l'eau.

**IMPORTANT:** Le pistolet de pulvérisation retient une pression d'eau élevée, même lorsque le moteur est éteint et que l'eau est déconnectée.

**▲ AVERTISSEMENT:** Le jet d'eau sous pression produit par cet équipement peut percer la peau et les tissus sous-jacents, risquant de provoquer des blessures graves pouvant mener à une amputation.

Le pistolet de pulvérisation retient une pression d'eau élevée, même lorsque le moteur est éteint et que l'eau est déconnectée, ce qui peut causer des blessures.

- Gardez toujours le tuyau flexible à haute pression raccordé à la pompe et au pistolet de pulvérisation lorsque le système est sous pression.
- À chaque fois que vous arrêtez le moteur, dirigez TOUJOURS le pistolet vers un endroit sécuritaire et appuyez sur le bouton rouge et sur la détente du pistolet de pulvérisation pour libérer la haute pression.

### Système de refroidissement automatique (surpression thermique)

Si vous faites tourner le moteur de votre pulvérisateur pendant 3 à 5 minutes sans appuyer sur la gâchette du pistolet pulvérisateur, l'eau qui circule dans la pompe peut atteindre une température de 51° à 68°C (125° à 155°F). Lorsque l'eau atteint cette température, le système de refroidissement automatique se **déclenche et refroidit la pompe en vidant l'eau chaude sur le sol.**

# Entretien

## Calendrier d'entretien

Respectez le calendrier d'entretien du nettoyeur selon le nombre d'heures de fonctionnement ou le temps écoulé, le premier des deux prévalant. Lorsque l'appareil est utilisé dans les conditions adverses décrites ci-dessous, il faut en faire l'entretien plus fréquemment.

<b>Cinq (5) premières heures</b>
<ul style="list-style-type: none"><li>• Changer l'huile du moteur</li></ul>
<b>Aux 8 heures ou Quotidien</b>
<ul style="list-style-type: none"><li>• Vérifier/nettoyer la crépine d'eau d'arrivée<sup>1</sup></li><li>• Vérifier le tuyau à haute pression</li><li>• Vérification du tube de siphonnement du détergent</li><li>• Vérifier la présence de fuites dans le pistolet à pulvérisation et l'assemblage</li><li>• Nettoyez les débris</li><li>• Vérifier le niveau d'huile du moteur</li></ul>
<b>Aux 25 heures ou 1 fois l'an</b>
<ul style="list-style-type: none"><li>• Faire l'entretien du filtre à air<sup>2</sup></li></ul>
<b>Aux 50 heures ou 1 fois l'an</b>
<ul style="list-style-type: none"><li>• Changer l'huile du moteur<sup>2</sup></li><li>• Inspectez le silencieux et l'écran pare-étincelles</li></ul>
<b>Aux 100 heures ou 1 fois l'an</b>
<ul style="list-style-type: none"><li>• Faire l'entretien de la bougie d'allumage</li><li>• Nettoyez le système de refroidissement<sup>2</sup></li></ul>

<sup>1</sup> Nettoyez l'appareil s'il est encrassé. Remplacez toute pièce perforée ou endommagée.

<sup>2</sup> Remplacez les pièces plus fréquemment si vous utilisez l'appareil dans un milieu sale ou poussiéreux.

## Recommandations générales

Un entretien régulier améliorera la performance et prolongera la durée de vie de la nettoyeur à pression. Consultez un détaillant autorisé pour l'entretien.

La garantie de la nettoyeur à pression ne couvre pas les éléments soumis à l'abus ou à la négligence de l'opérateur. Pour qu'elle soit entièrement valide, l'opérateur doit entretenir la nettoyeur à pression conformément aux instructions contenues dans ce manuel, incluant l'entreposage approprié tel que décrit dans *Entreposage pour l'hiver et Entreposage à long terme*.

**REMARQUE:** Si vous avez des questions sur le remplacement des composants du nettoyeur à haute pression veuillez composer le **(800) 528-5087** pour obtenir de l'aide.

Certains ajustements devront être faits périodiquement pour assurer un entretien adéquat de la nettoyeur à pression.

Il faut effectuer toutes les opérations d'entretien et les réglages au moins une fois par saison. Suivez les instructions du *Calendrier d'entretien* ci-dessus

**REMARQUE:** Une fois par année, vous devez nettoyer ou remplacer la bougie d'allumage et remplacer le filtre à air. Une nouvelle bougie d'allumage et un filtre à air propre permettent d'assurer que le mélange essence-air est adéquat en plus de contribuer au meilleur fonctionnement de votre moteur et d'augmenter sa durée de vie.

## Pompe à huile

NE tentez PAS d'effectuer d'entretien relatif à l'huile sur la pompe. La pompe est pré-lubrifiée et scellée en usine, ne nécessitant aucune lubrification supplémentaire au cours de la durée de vie de la pompe.

## Contrôle des émissions

**L'entretien, le remplacement ou la réparation des dispositifs et systèmes antipollution peuvent être effectués par un établissement de réparation de moteurs hors route ou par une personne qualifiée.** Pour obtenir un entretien « sans frais » du dispositif antipollution, le travail doit être effectué par un détaillant autorisé par le fabricant. Voir la *Garantie du dispositif antipollution*.

## Avant chaque utilisation

1. Vérifiez le niveau d'huile du moteur.
2. Nettoyez des débris.
3. Vérifiez si la grille de la prise d'eau n'est pas abîmée.
4. Vérifiez si le tuyau à haute pression n'a pas de fuite.
5. Vérifiez si des dommages sont visibles sur le tube de siphonnement du détergent.
6. Vérifiez si le pistolet pulvérisateur et de l'assemblage de la rallonge réglable du gicleur n'ont pas de fuite.
7. Rincez le boyau d'arrosage pour déloger tous débris.

## Entretien du nettoyeur à pression

### Nettoyage des débris

Nettoyez les débris accumulés sur le nettoyeur à haute pression tous les jours ou avant de l'utiliser. Gardez toujours la tringlerie, le ressort et les commandes propres. Gardez la zone autour et derrière le silencieux libre de débris combustibles. Inspectez les fentes d'air de refroidissement et les ouvertures sur le nettoyeur à haute pression. Ces ouvertures doivent demeurer propres et non obstruées.

Les parties du nettoyeur à haute pression doivent être gardées propres afin de réduire le risque de surchauffe et d'inflammation des débris accumulés.

- Utilisez un linge humide pour nettoyer les surfaces extérieures.

**AVIS:** Un traitement inapproprié du nettoyeur à pression risque de l'endommager et de raccourcir sa durée d'utilisation.

- N'INSÉREZ aucun objet dans les fentes de refroidissement.

- Utilisez une brosse à soies douces pour détacher les accumulations de saletés, d'huile, etc.
- Utilisez un aspirateur pour ramasser les saletés et débris.

### Vérifiez et nettoyez la grille de la prise d'eau

Inspectez la grille de la prise d'eau. Nettoyez-la si elle est bouchée ou remplacez-la si elle est endommagée.

### Vérifiez le tuyau à haute pression

Le tuyau à haute pression peut avoir des fuites, s'il est usé, tordu ou mal utilisé. Inspectez le tuyau avant chaque utilisation. Vérifiez tous les tuyaux pour les coupures, les fuites, l'abrasion ou le gonflement du couvercle, ou si certains raccords sont abîmés ou mobiles. Si vous remarquez quelque chose, remplacez immédiatement le tuyau.

**▲ AVERTISSEMENT:** Le jet d'eau sous pression produit par cet équipement peut percer la peau et les tissus sous-jacents, risquant de provoquer des blessures graves pouvant mener à une amputation.

- NE réparez JAMAIS les tuyaux à haute pression. Remplacez.
- Le tuyau de remplacement DOIT résister à une pression supérieure à la pression nominale du nettoyeur.

### Vérifiez le tube de siphonnement du détergent

Examinez le filtre du tube de siphonnement et nettoyez-le s'il est encrassé. Le tube doit s'ajuster fermement au raccord à barbelure. Examinez le tube pour déceler des fuites ou craquelures. Remplacez le filtre ou le tube si l'un ou l'autre est endommagé.

### Vérifiez le pistolet et la rallonge de gicleur réglable

Examinez le branchement du boyau au pistolet à pulvérisation et assurez-vous que le branchement est solide. Faites l'essai de la détente en appuyant sur le bouton rouge et en vous assurant que la détente revient à sa position initiale lorsque vous la relâchez. Vous ne devriez pas être en mesure d'actionner la détente sans avoir appuyé sur le bouton rouge. Remplacez le pistolet à pulvérisation immédiatement s'il échoue un de ces essais.

### Entretien du buse

Si vous sentez un effet de pulsation en appuyant sur la détente du pistolet de pulvérisation, c'est que la pression de la pompe est peut-être trop élevée. Cela peut se produire si la buse est obstruée, complètement ou en partie, par un corps étranger, comme des saletés, etc. Pour remédier à ce problème, nettoyez immédiatement la buse en suivant ces instructions:

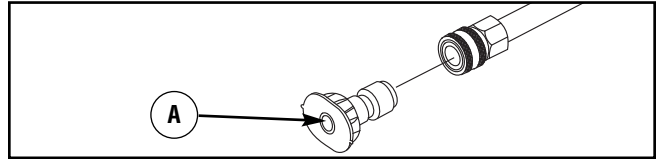
1. Éteignez le moteur et fermez l'alimentation en eau.

**▲ AVERTISSEMENT:** Le jet d'eau sous pression produit par cet équipement peut percer la peau et les tissus sous-jacents, risquant de provoquer des blessures graves pouvant mener à une amputation.

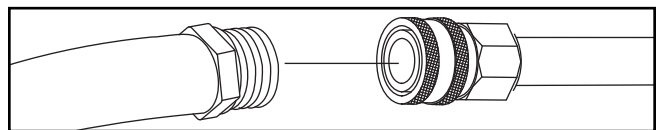
Le pistolet de pulvérisation retient une pression d'eau élevée, même lorsque le moteur est éteint et que l'eau est déconnectée, ce qui peut causer des blessures.

- Gardez toujours le tuyau flexible à haute pression raccordé à la pompe et au pistolet de pulvérisation lorsque le système est sous pression.
- À chaque fois que vous arrêtez le moteur, dirigez TOUJOURS le pistolet vers un endroit sécuritaire et appuyez sur le bouton rouge et sur la détente du pistolet de pulvérisation pour libérer la haute pression.

2. Dirigez TOUJOURS le pistolet à pulvérisation vers un endroit sécuritaire et appuyez sur le bouton rouge et sur la détente du pistolet de pulvérisation pour libérer la haute pression de l'eau.
3. Enlevez la buse de l'extrémité de la rallonge de buse.
4. Utilisez un trombone pour dégager tout élément pouvant obstruer la buse (A).



5. Détachez la rallonge du pistolet pulvérisateur.
6. À l'aide d'un tuyau d'arrosage, enlevez les débris supplémentaires en rinçant la rallonge de buse. Rincez-la pendant 30 à 60 secondes.



7. Réinstallez la buse dans la rallonge de buse.
8. Rebranchez la rallonge de buse sur le pistolet de pulvérisation.
9. Assurez-vous que le boyau d'arrosage est connecté à l'entrée d'eau. Vérifiez si le boyau à haute pression est connecté au pistolet de pulvérisation et à la pompe. Ouvrez l'alimentation d'eau.
10. Démarrez le moteur selon les directives *Comment démarrer votre nettoyeur à pression*.
11. Testez le nettoyeur à pression en l'utilisant avec chaque buse à raccord rapide.

### Entretien du joint torique

Achetez un ensemble Joint torique/Maintenance, modèle 6048, en contactant le centre de service autorisé situé le plus près de chez vous. Ce nécessaire n'est pas inclus avec le nettoyeur à haute pression. Le nécessaire comprend des joints toriques de rechange, une rondelle de caoutchouc et un filtre d'arrivée d'eau. Pour remplacer les joints toriques de votre nettoyeur, consultez la feuille d'instructions fournie avec le nécessaire.

**▲ AVERTISSEMENT:** Le jet d'eau sous pression produit par cet équipement peut percer la peau et les tissus sous-jacents, risquant de provoquer des blessures graves pouvant mener à une amputation.

- Ne réparez JAMAIS des raccords non étanches à l'aide de scellant. Remplacez le joint torique ou le joint d'étanchéité.

## Entretien du moteur

**⚠ AVERTISSEMENT:** Unintentional peut résulter dans feu ou électrique.



### LORSQUE VOUS RÉGLEZ OU RÉPAREZ VOTRE NETTOYEUR À PRESSION

- Débranchez toujours le câble de bougie et placez-le de façon à ce qu'il ne soit pas en contact avec la bougie.

### LORS DE TESTS D'ALLUMAGE DU MOTEUR

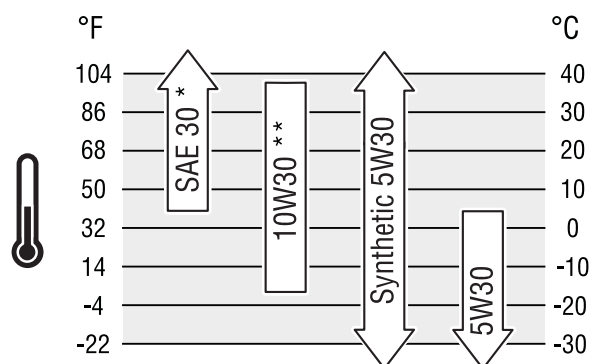
- Utilisez un vérificateur de bougies d'allumage approuvé.
- NE vérifiez PAS l'allumage lorsque la bougie d'allumage est enlevée.

## Huile

### Recommandations relatives à l'huile

Nous recommandons l'utilisation des huiles certifiées par garantie Briggs & Stratton pour obtenir une meilleure performance. Les autres huiles détergentes de haute qualité sont acceptables si elles ont les cotes pour service SF, SG, SH, SJ ou plus. N'utilisez PAS d'additifs spéciaux.

Les températures extérieures déterminent la viscosité de l'huile requise pour le moteur. Utilisez le tableau pour choisir la meilleure viscosité pour la gamme de températures extérieures attendues.



\* Sous 40°F (4°C), l'utilisation d'une huile SAE 30 entraîne un démarrage difficile.

\*\* Au-dessus de 80°F (27°C), l'utilisation d'une huile 10W30 peut entraîner une consommation d'huile plus élevée. Vérifiez fréquemment le niveau d'huile.

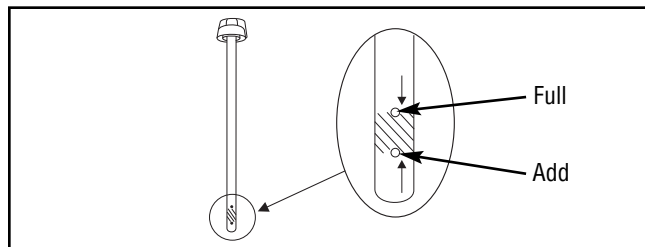


**REMARQUE :** L'huile synthétique respectant la marque d'homologation ILSAC GF-2, API et portant le symbole d'entretien API (montré à la gauche) avec la mention « SJ/CF (économie d'énergie) » ou plus, est une huile acceptable pour toutes les températures. L'utilisation d'huile synthétique ne modifie pas les intervalles de changement d'huile.

## Vérification du niveau d'huile

Il est nécessaire de vérifier le niveau d'huile avant chaque utilisation ou après chaque période de 8 heures d'utilisation. Gardez un niveau d'huile constant.

1. Assurez-vous que nettoyeur à pression se trouve sur une surface de niveau.
2. Enlevez la jauge d'huile et nettoyez-la avec un linge. Remplacez-la et resserrez-la. Retirez la jauge et vérifiez le niveau d'huile.
3. Vérifiez que l'huile est à la marque "Full" sur la jauge de niveau d'huile. Remplacez-la et resserrez-la.



## Ajout d'huile

1. Assurez-vous que nettoyeur à pression se trouve sur une surface de niveau.
2. Vérifiez le niveau d'huile de la manière décrite dans la rubrique *Vérification du niveau d'huile*.
3. Au besoin, videz lentement l'huile dans l'orifice de remplissage d'huile, jusqu'à marque "Full" sur la jauge de niveau d'huile. NE remplissez PAS trop le carter d'huile.

**AVIS:** Le moteur risque de ne pas démarrer ou de démarrer difficilement lorsqu'il est trop rempli d'huile.

- NE remplissez PAS trop.
- Si le niveau d'huile dépasse la marque FULL de la jauge d'huile, vidangez l'huile de sorte que le niveau soit égal à la marque FULL de la jauge d'huile.

4. Remplacez-la et resserrez-la.

## Vidange de l'huile moteur

Si vous utilisez votre nettoyeur à pression dans un endroit très sale ou poussiéreux ou par temps très chaud, changez l'huile plus fréquemment.

**⚠ ATTENTION:** Évitez tout contact cutané prolongé ou répété avec l'huile moteur usagée.

- Il a été démontré que l'huile moteur usagée risque de provoquer un cancer de la peau chez certains animaux de laboratoire.
- Rincez consciencieusement les zones exposées avec de l'eau et du savon.



GARDEZ HOS DE PORTÉE DES ENFANTS. NE POLLUEZ PAS. CONSERVEZ LE SURPLUS. RAPORTEZ L'HUILE USAGÉE AUX CENTRES DE RECYCLAGE.

## Changez l'huile alors que le moteur est encore chaud, de la façon suivante:

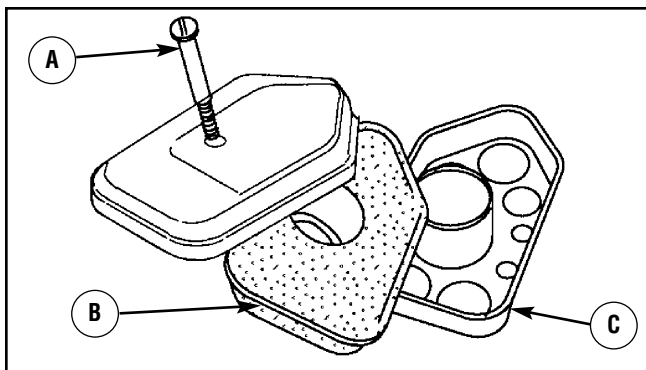
1. Videz le réservoir d'essence en faisant tourner le nettoyeur à pression jusqu'à l'épuisement de l'essence.
2. Débranchez le fil de la bougie d'allumage et gardez-le éloigné de la bougie d'allumage.
3. Nettoyez la surface autour de l'orifice de remplissage d'huile, enlevez le bouchon de remplissage d'huile et la jauge d'huile. Essuyez la jauge d'huile.
4. Inclinez votre nettoyeur à haute pression pour vidanger l'huile par l'orifice de remplissage dans un contenant adéquat en vous assurant d'incliner le nettoyeur du côté opposé à la bougie d'allumage et au filtre à air. Une fois le carter vidé de son huile, remettez le nettoyeur debout.
5. Videz lentement l'huile (environ 20 oz (0,6 l)) dans l'orifice de remplissage d'huile, jusqu'à marque "Full" sur la jauge de niveau d'huile.
6. Essuyez la jauge d'huile chaque fois que vous vérifiez le niveau d'huile. NE remplissez PAS trop le carter d'huile.
7. Remplacez-la et resserrez-la.
8. Essuyez toute huile restante.
9. Rebranchez le fil de la bougie d'allumage à la bougie d'allumage.

## Entretien du filtre à air

Votre moteur ne fonctionnera pas adéquatement et pourrait s'endommager si vous le faites fonctionner avec un filtre à air sale. Remplacez le filtre plus souvent si vous utilisez le nettoyeur dans un endroit sale ou poussiéreux.

### Pour faire l'entretien du filtre à air, procédez comme suit:

1. Enlevez la vis (A).



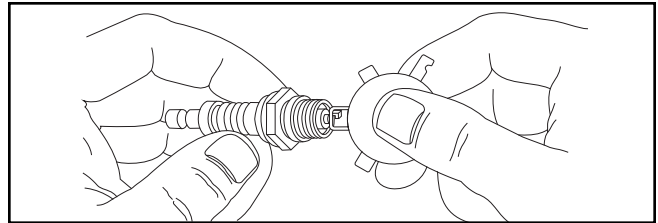
2. Enlevez l'ensemble filtre à air avec soin de manière à éviter la chute de débris dans le carburateur.
3. Démontez l'ensemble filtre à air et nettoyez-en toutes les pièces. Nettoyez le filtre à air (B) en mousse dans un mélange de détergent liquide et d'eau. Séchez le filtre en le comprimant dans un linge propre.
4. SATUREZ le filtre à air en mousse d'huile à moteur et comprimez-le dans un linge propre pour enlever l'excédent d'huile.
5. Remplacez l'ensemble filtre à air avec le filtre en mousse propre ou un filtre neuf dans la base (C).

6. Fixez solidement l'ensemble filtre à air sur le carburateur avec la vis.

## Entretien de la bougie d'allumage

Changez la bougie d'allumage le moteur démarrera plus facilement et fonctionnera mieux.

1. Nettoyez la surface autour de la bougie d'allumage.
2. Enlevez la bougie d'allumage et examinez-la.
3. Si les électrodes sont usées ou si la porcelaine est craquée ou écaillée. Utilisez la bougie de remplacement recommandée. Consultez *Spécifications*.



4. Vérifiez l'écartement des électrodes à l'aide d'une jauge d'épaisseur et ajustez l'écartement des électrode selon les spécifications recommandées au besoin (voir *Spécifications*).
5. Installez la bougie d'allumage et serrez-la solidement.

## Inspectez le silencieux et l'écran pare-étincelles

Inspectez s'il y a fissures, corrosion ou autre dommage du silencieux. Retirez l'écran pare-étincelles, si inclus, et inspectez s'il y a dommage ou obstruction de calamine. S'il y a besoin des pièces de rechange, assurez-vous d'installer seulement pièces de rechange originelles pour l'équipement.

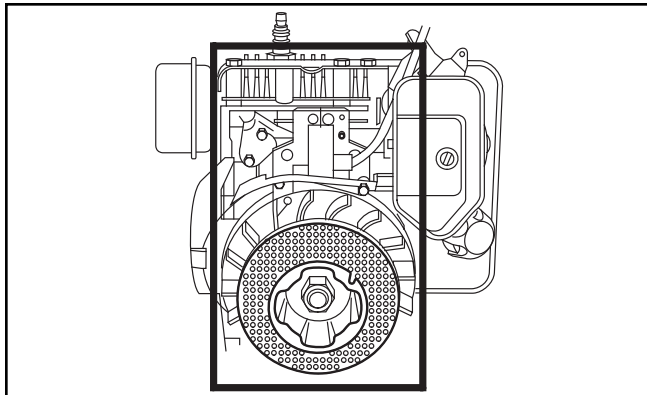
**▲ AVERTISSEMENT:** Tout contact avec la zone du silencieux peut causer des brûlures graves.

La chaleur et les gaz d'échappement peuvent enflammer des matériaux combustibles et les structures ainsi que causer des dommages au réservoir d'essence et entraîner un incendie.

- NE touchez PAS aux pièces chaudes et évitez le contact avec les gaz d'échappement.
  - Laissez l'équipement refroidir avant de le toucher.
  - Laissez un dégagement d'au moins 1,5 m (5 pi) tout autour de la nettoyeur à pression, y compris au-dessus.
  - L'utilisation ou le fonctionnement d'un moteur sur un terrain boisé, couvert de broussailles ou gazonné constitue une violation dans l'État de la Californie, en vertu de la section 4442 du California Public Resources Code, à moins qu'il ne soit doté d'un pare-étincelles tel que défini dans la section 4442 et maintenu en bon état de fonctionnement. Il se peut que d'autres États ou d'autres compétences fédérales aient des lois semblables.
- Communiquez avec le fabricant, le détaillant ou le concessionnaire original de l'appareil afin d'obtenir un pare-étincelles conçu pour le système d'échappement installé sur ce moteur.
- Les pièces de rechange doivent être identiques aux pièces d'origine et être installées à la même position.

## Système de refroidissement à air

Avec le temps, les débris peuvent s'accumuler dans les ailettes de refroidissement du cylindre et ne peuvent être repérés que par un désassemblage partiel du moteur. Nous vous recommandons donc de demander à un distributeur de service qualifié de nettoyer le système de refroidissement aux intervalles recommandés (consultez la section *Calendrier d'entretien* figurant au début de la section *Entretien*). Il est aussi important de garder la partie supérieure du moteur libre de débris. Consultez *Nettoyage des débris*.



## Après chaque utilisation

L'eau ne doit pas demeurer dans le nettoyeur durant une longue période de temps. Des sédiments ou des minéraux pourraient s'accumuler sur les pièces de la pompe et bloquer son mouvement. Suivez la procédure suivante après chaque utilisation:

1. Éteignez le moteur, fermez l'alimentation en eau, dirigez pistolet vers un endroit sécuritaire et appuyez sur le bouton rouge et sur la détente pour libérer la pression et laissez refroidir le moteur.

**▲ AVERTISSEMENT:** Le jet d'eau sous pression produit par cet équipement peut percer la peau et les tissus sous-jacents, risquant de provoquer des blessures graves pouvant mener à une amputation.

Le pistolet de pulvérisation retient une pression d'eau élevée, même lorsque le moteur est éteint et que l'eau est déconnectée, ce qui peut causer des blessures.

- Gardez toujours le tuyau flexible à haute pression raccordé à la pompe et au pistolet de pulvérisation lorsque le système est sous pression.
- À chaque fois que vous arrêtez le moteur, dirigez TOUJOURS le pistolet vers un endroit sécuritaire et appuyez sur le bouton rouge et sur la détente du pistolet de pulvérisation pour libérer la haute pression.

2. Débranchez le tuyau du pistolet de pulvérisation et de la sortie haute pression de la pompe. Vidangez l'eau du tuyau, du pistolet et de la rallonge de buse. Utilisez un chiffon pour essuyer le tuyau.
3. Placez le pistolet de pulvérisation, la rallonge de buse et les buses dans le plateau pour accessoires. Suspendez le tuyau à haute pression sur le crochet fixé à l'avant du plateau pour accessoires.
4. Videz la pompe de tout liquide en tirant sur la poignée du lanceur environ 6 fois. Cette opération devrait suffire pour enlever presque tout le liquide dans la pompe.
5. Entrez le nettoyeur dans un endroit propre et sec.
6. Si vous remisez le nettoyeur durant plus de 30 jours, consultez la section *Entreposage à long terme*.

**▲ AVERTISSEMENT:** L'essence et ses vapeurs sont extrêmement inflammables et explosives.

Le feu ou l'explosion risque de provoquer des blessures graves, pouvant être fatales.

**LORSQUE VOUS ENTREPOSEZ L'ESSENCE OU UN ÉQUIPEMENT AVEC UN RÉSERVOIR À ESSENCE**

- Entrez-le loin des appareils de chauffage, des fours, des chauffe-eau, des sècheuses ou de tout autre appareil électroménager disposant d'une veilleuse ou de toute autre source d'inflammation risquant d'enflammer les vapeurs d'essence.

## Entreposage pour l'hiver

**AVIS:** Vous devez protéger votre appareil contre le gel.

- Si vous ne le faites pas, vous pouvez causer des dommages irréversibles à votre pompe qui la rendront inutilisable.
- Les dommages causés par le gel ne sont pas couverts par la garantie.

### Pour protéger l'appareil contre le gel:

1. Répéter des étapes 1-4 dans la section précédente *Après Chaque Utilisation*.
2. Utilisez "Pump Saver", Modèle 6039, pour traiter votre pompe. Ce produit vous permet de réduire les dommages causés par le gel et de lubrifier les pistons et les joints.
3. Si "Pump saver" n'est pas disponible, raccordez une section de tuyau d'arrosage de 1 m (3 pi) de long à un raccord d'eau d'arrivée. Versez de l'antigel de véhicule de plaisance (antigel sans alcool) dans le tuyau. Tirez sur la poignée du lanceur deux fois. Débranchez le tuyau de 1 m (3 pi).
4. Entrez le nettoyeur dans un endroit propre et sec.

## Entreposage à long terme

Si vous ne prévoyez pas utiliser le nettoyeur à pression durant plus de 30 jours, vous devez préparer le moteur et la pompe pour l'entreposage à long terme.

### Protection du système d'alimentation

#### Additif de carburant :

Le carburant peut être éventé après un entreposage de plus de 30 jours. Un carburant éventé cause la formation de dépôts acides et de gomme dans le système d'alimentation ou sur les pièces essentielles du carburateur. Pour garder l'essence propre, utilisez le stabilisateur d'essence FRESH START® de Briggs & Stratton, disponible sous forme d'additif liquide ou cartouche de liquide concentré.

Il est inutile de vidanger le carburant du moteur si vous ajoutez un stabilisateur d'essence conformément aux directives. Faites tourner le moteur pendant 2 minutes pour faire circuler le stabilisateur dans le système de carburant. Vous pouvez ensuite entreposer le moteur et l'essence durant une période maximale de 24 mois.

Si le carburant du moteur n'a pas été traité avec un stabilisateur d'essence, vous devez le vidanger dans un contenant approuvé. Faites tourner le moteur jusqu'à ce qu'il s'arrête par manque d'essence. Il est recommandé d'utiliser du stabilisateur d'essence dans le contenant d'entreposage pour en conserver la fraîcheur.

## Changement de l'huile

Alors que le moteur est encore chaud, vidangez l'huile du carter. Remplissez le carter à nouveau avec de l'huile de la qualité recommandée. Consultez la section *Changement d'huile*.

### Huilage de l'alésage du cylindre

- Enlevez la bougie d'allumage et versez environ 15 ml (1/2 once) d'huile à moteur neuve dans le cylindre.
- Installez la bougie d'allumage et tirez lentement la poignée du démarreur pour distribuer l'huile.

### Protection de la pompe

Utilisez PumpSaver pour traiter la pompe contre les dommages causés par de dépôts minéraux ou le gel. Vous préviendrez ainsi les dommages causés par le gel et lubrifierez les pistons et les joints.

**REMARQUE:** PumpSaver est un accessoire disponible en option. Il n'est pas fourni avec le nettoyeur à pression. Contactez le détaillant agréé de service après vente situé le plus près de chez vous pour vous procurer PumpSaver.

**AVIS:** Vous devez protéger votre appareil contre le gel.

- Si vous ne le faites pas, vous pouvez causer des dommages irréversibles à votre pompe qui la rendront inutilisable.
- Les dommages causés par le gel ne sont pas couverts par la garantie.

Pour utiliser PumpSaver, assurez-vous que le nettoyeur à haute pression est en position d'arrêt et débranché de l'alimentation d'eau. Veuillez lire les directives et les avertissements mentionnés sur le contenant de PumpSaver.

### Autres directives

1. N'entreposez PAS d'essence d'une saison à l'autre à moins qu'elle ne soit traitée tel que décrit dans *Protection du système d'alimentation*.

**▲ AVERTISSEMENT:** Les couvertures de rangement peuvent être inflammables.



- NE placez JAMAIS une couverture de rangement sur un nettoyeur à pression.
- Laissez l'appareil refroidir suffisamment avant de placer la couverture de rangement dessus.

2. Remplacez le contenant à essence s'il commence à rouiller. Un carburant contaminé peut causer des problèmes de moteur.
3. Couvrez l'appareil à l'aide d'une housse de protection adéquate qui ne retient pas l'humidité.
4. Entrez le nettoyeur à pression dans un endroit propre et sec.

# Dépannage

Problème	Cause	Correction
<b>La pompe a les problèmes suivants: pas de pression, pression irrégulière, pressure, claquement, perte de pression, faible débit d'eau.</b>	<ol style="list-style-type: none"> <li>1. Buse à basse pression installée.</li> <li>2. Entrée d'eau bloquée.</li> <li>3. Pas assez d'eau qui arrive.</li> <li>4. Tuyau d'entrée tortillé ou avec fuites.</li> <li>5. Filtre de tuyau bouché.</li> <li>6. Eau à plus de 100°F.</li> <li>7. Tuyau de sortie bloqué ou avec fuites.</li> <li>8. Le pistolet fuie.</li> <li>9. La buse est bouchée.</li> <li>10. La pompe est défectueuse.</li> </ol>	<ol style="list-style-type: none"> <li>1. Remplacez la buse par la buse à haute pression.</li> <li>2. Dégager l'entrée d'eau.</li> <li>3. Fournir un débit adéquat.</li> <li>4. Redresser le tuyau, boucher la fuite.</li> <li>5. Vérifier et nettoyer le filtre du tuyau d'entrée.</li> <li>6. Ayez une eau plus froide.</li> <li>7. Débloquez le tuyau de sortie.</li> <li>8. Remplacer le pistolet.</li> <li>9. Déboucher la buse.</li> <li>10. Contacter négociant de service autorisé.</li> </ol>
<b>Le détergent ne se mélange pas avec le jet.</b>	<ol style="list-style-type: none"> <li>1. Le tube n'est pas submergé.</li> <li>2. Le filtre du tube est bouché.</li> <li>3. Buse à haute pression installée.</li> </ol>	<ol style="list-style-type: none"> <li>1. Insérer le tube dans le détergent.</li> <li>2. Nettoyer ou remplacer le tube et/ou le filtre.</li> <li>3. Remplacez la buse par la buse à basse pression.</li> </ol>
<b>Le moteur tourne sans charge mais cale quand une charge est ajoutée.</b>	Vitesse trop lente du moteur.	Mettre l'accélérateur sur FAST. Si le moteur continue à caler contacter votre concessionnaire fabricant de moteur.
<b>Le moteur ne démarre pas, ou il démarre et a des ratés.</b>	<ol style="list-style-type: none"> <li>1. Filtre à air encrassé.</li> <li>2. Panne d'essence.</li> <li>3. Essence éventée.</li> <li>4. Fil de bougie non branché à la bougie.</li> <li>5. Bougie défectueuse.</li> <li>6. Eau présente dans l'essence.</li> <li>7. Mélange d'essence trop riche.</li> <li>8. Perte de compression du moteur.</li> </ol>	<ol style="list-style-type: none"> <li>1. Nettoyez ou remplacez le filtre à air.</li> <li>2. Faites le plein du réservoir.</li> <li>3. Vidangez le réservoir; faites le plein avec de l'essence nouvelle.</li> <li>4. Branchez le fil à la bougie.</li> <li>5. Remplacez la bougie.</li> <li>6. Vidangez le réservoir; faites le plein avec de l'essence nouvelle.</li> <li>7. Contacter négociant de service autorisé.</li> <li>8. Contacter négociant de service autorisé.</li> </ol>
<b>El motor se apaga durante la operación.</b>	Sin gasolina.	Llene el tanque de combustible.
<b>Manque de puissance du moteur.</b>	Filtre à air encrassé.	Remplacez le filtre à air.



# Garanties

## Énoncé de garantie du dispositif antipollution pour la Californie, l'U.S. EPA et Briggs & Stratton Corporation

### Vos droits et obligations relatifs à la garantie

Le California Air Resources Board, l'U.S. EPA et Briggs & Stratton (B&S) sont heureux de vous expliquer la garantie couvrant le dispositif antipollution de votre moteur ou de votre équipement, de l'année 2008 ou plus récent. En Californie, les nouveaux petits moteurs hors route doivent être conçus, construits et équipés de façon à respecter les normes anti-smog rigoureuses de l'état. B&S doit garantir le dispositif antipollution de votre moteur ou de votre équipement pour les périodes indiquées ci-dessous, à condition qu'il n'y ait pas eu d'abus, de négligence, de mauvais entretien sur le petit moteur hors route.

Votre dispositif antipollution peut comprendre des pièces comme le carburateur ou le système d'injection de combustible, le réservoir d'essence, le système d'allumage et le convertisseur catalytique. Il peut aussi y avoir des tuyaux, des courroies, des connecteurs, des capteurs et d'autres dispositifs reliés aux émissions. Dans le cas d'un défaut couvert par la garantie, B&S réparera votre moteur ou votre équipement sans frais, et ce, incluant le diagnostic, les pièces et la main-d'œuvre.

### Couverture de garantie du fabricant :

Les petits moteurs hors route sont garantis pour une période de deux ans. Si une pièce reliée au dispositif antipollution de votre moteur ou de votre équipement est défectueuse, B&S la réparera ou la remplacera.

### Responsabilités du propriétaire relativement à la garantie :

- En tant que propriétaire du petit moteur ou de l'équipement, vous êtes responsable de l'exécution de l'entretien requis indiqué dans le manuel d'utilisation. B&S recommande de conserver tous les reçus liés à l'entretien de votre moteur ou de votre équipement; toutefois, B&S ne peut refuser d'honorer la garantie uniquement parce que vous êtes dans l'impossibilité de produire les reçus ou que vous n'avez pas effectué toutes les étapes de l'entretien prévu.
- Néanmoins, vous devez savoir, en tant que propriétaire du moteur ou de l'équipement, que B&S peut renier la garantie si votre moteur ou votre équipement ou, encore, une pièce font défaut en raison d'abus, de négligence, d'entretien inadéquat ou de modifications non approuvées.
- Dès qu'un problème survient, vous avez la responsabilité de faire examiner votre moteur ou votre équipement dans un centre de distribution B&S, un centre de service ou une autre entité équivalente, selon le cas. Les réparations couvertes par la garantie doivent être effectuées dans un délai raisonnable, n'excédant pas 30 jours. Si vous avez des questions au sujet de vos droits et responsabilités liés à la garantie, veuillez communiquer avec B&S au (414) 259-5262.

## Dispositions de la garantie contre les défauts du dispositif antipollution de Briggs & Stratton

Les dispositions qui suivent sont spécifiques à la couverture de garantie contre les défauts du dispositif antipollution. Elle est un ajout à la garantie sur les moteurs de B&S pour les moteurs non régulés, figurant dans le manuel d'utilisation.

### 1. Pièces garanties

La couverture de cette garantie n'englobe que les pièces énumérées ci-dessous (pièces du dispositif antipollution) dans la mesure où ces pièces étaient présentes sur le moteur au moment de l'achat.

- a. Système de contrôle d'alimentation en carburant
  - Dispositif d'enrichissement pour démarrage à froid (étrangleur à glissement)
  - Carburateur et pièces internes
  - Pompe à carburant
  - Conduit d'essence, raccords de conduit d'essence, brides de serrage
  - Réservoir d'essence, bouchon et attache
  - Absorbeur de vapeurs d'essence
- b. Circuit d'entrée d'air
  - Filtre à air
  - Collecteur d'admission
  - Ligne de purge et d'évacuation
- c. Système d'allumage
  - Bougie(s) d'allumage
  - Système d'allumage à magnéto
- d. Système de catalyseur
  - Catalytic converter
  - Collecteur d'échappement
  - Système d'injection d'air ou soupape d'impulsion
- e. Éléments divers utilisés dans les systèmes précédemment mentionnés
  - Soupapes et interrupteurs de dépression, de température, de position, à délai critique
  - Connecteurs et dispositifs

### 2. Durée de la couverture

Pour une période de deux ans à compter de la date d'achat originale, B&S garantit à l'acheteur initial et à tous les acheteurs subséquents que le moteur a été conçu, construit et équipé de façon à respecter toutes les normes en vigueur adoptées par l'Air Resources Board; qu'il est libre de tout défaut de matériel et de main-d'œuvre qui pourrait entraîner la défectuosité d'une pièce garantie; et, qu'il est identique d'un point de vue matériel au moteur décrit dans la demande d'homologation du fabricant. La période de garantie débute à la date d'achat du moteur par le premier acheteur.

La garantie des pièces reliées au dispositif antipollution est la suivante :

- Toute pièce garantie dont le remplacement ne fait pas partie de l'entretien requis dans le manuel d'utilisation doit être garantie pour la période de garantie indiquée ci-dessus. Si une telle pièce s'avère défectueuse au cours de la période de la couverture de garantie, B&S devra la réparer ou la remplacer sans frais pour le propriétaire. Toute pièce réparée ou remplacée en vertu de la garantie sera garantie pour la durée restante de la période de garantie.
- Toute pièce garantie qui fait partie de l'entretien uniquement pour une inspection régulière dans le manuel d'utilisation est garantie pour la période de garantie indiquée ci-dessus. Toute pièce réparée ou remplacée en vertu de la garantie sera garantie pour la durée restante de la période de garantie.
- Toute pièce garantie dont le remplacement fait partie de l'entretien requis dans le manuel d'utilisation est garantie pour la période de temps avant le premier point de remplacement prévu pour cette pièce. Si une telle pièce s'avère défectueuse avant son remplacement prévu, B&S devra la réparer ou la remplacer sans frais pour le propriétaire. Toute pièce réparée ou remplacée en vertu de la garantie sera garantie pour la durée restante de la période avant le premier point de remplacement prévu pour la pièce.
- Les pièces ajoutées ou modifiées ne faisant pas partie d'une exemption par l'Air Resources Board ne doivent pas être utilisées. L'utilisation de pièces ajoutées ou modifiées par le propriétaire qui ne font pas partie d'une exemption pourrait entraîner le refus d'une réclamation au titre de la garantie. Le fabricant n'a pas la responsabilité de garantir les défauts des pièces garanties causées par l'utilisation de pièces ajoutées ou modifiées qui ne font pas partie d'une exemption.

### 3. Couverture indirecte

La couverture englobe toute défectuosité de l'un des composants du moteur causée à la suite d'une défectuosité d'une des pièces reliées au dispositif antipollution garanties.

### 4. Réclamations et exclusions de couverture

Les réclamations au titre de la garantie doivent être présentées conformément aux dispositions de la politique de garantie du moteur de B&S. La couverture de garantie n'englobe pas les défauts des pièces reliées au dispositif antipollution qui ne sont pas des pièces originales de B&S ni les défauts des pièces reliées à un abus, de la négligence ou un entretien inapproprié tel que détaillé dans la politique de garantie du moteur de B&S. B&S n'est pas responsable de couvrir les défauts des pièces reliées au dispositif antipollution causées par l'utilisation de pièces ajoutées ou modifiées.

## Recherchez la période de durabilité des émissions et l'indice de pollution atmosphérique sur l'étiquette d'émissions du moteur

Les renseignements concernant la période de durabilité des émissions et l'indice de pollution atmosphérique doivent être fournis avec les moteurs qui répondent aux normes relatives aux émissions de la California Air Resources Board (CARB). Briggs & Stratton doit fournir ces renseignements aux consommateurs sur des étiquettes d'émissions. L'étiquette des émissions du moteur fournit des renseignements sur la certification.

La **période de durabilité des émissions** décrit le nombre d'heures pendant lesquelles le moteur peut fonctionner en respectant les normes relatives aux émissions, en supposant que l'entretien est effectué conformément aux directives de fonctionnement et d'entretien. Les catégories utilisées sont les suivantes :

**Modéré** : Le moteur peut fonctionner pendant 125 heures tout en respectant la norme relative aux émissions.

**Intermédiaire** : Le moteur peut fonctionner pendant 250 heures tout en respectant la norme relative aux émissions.

**Prolongé** : Le moteur peut fonctionner pendant 500 heures tout en respectant la norme relative aux émissions.

Par exemple, l'utilisation d'une tondeuse poussée est d'environ 20 à 25 heures par année. Par conséquent, la **période de durabilité des émissions** d'un moteur de catégorie **intermédiaire** équivaut à une période de 10 à 12 années.

Les moteurs Briggs & Stratton respectent les normes relatives aux émissions de phase 2 de l'USEPA (United States Environmental Protection Agency). Dans le cas des moteurs homologués phase 2, la période de conformité des émissions indiquée sur l'étiquette de conformité des émissions indique le nombre d'heures de fonctionnement pendant lesquelles le moteur a démontré qu'il respectait les exigences fédérales en matière d'émissions.

Pour les moteurs de cylindrée inférieure à 225 cc:

Catégorie C = 125 heures

Catégorie B = 250 heures

Catégorie A = 500 heures.

Pour les moteurs de cylindrée égale ou supérieure à 225 cc:

Catégorie C = 250 heures

Catégorie B = 500 heures

Catégorie A = 1000 heures.

## GARANTIE DU PROPRIÉTAIRE D'UNE NETTOYEUR À PRESSION DEBRIGGS & STRATTON POWER PRODUCTS GROUP, LLC

À partir du 1er décembre 2005, la présente garantie remplace toute garantie non datée et toute garantie dont la date est antérieure au 1er décembre 2005.

### GARANTIE LIMITÉE

Briggs & Stratton Power Products Group, LLC réparera ou remplacera, sans frais, toutes pièces défectueuses de la nettoyeur à pression comportant un vice de matériau ou un défaut de fabrication ou les deux. En vertu de la présente garantie, les frais de transport des produits soumis pour réparation ou remplacement sont à la charge de l'acheteur. La présente garantie sera en vigueur durant les périodes stipulées ci-dessous et est assujettie aux conditions stipulées ci-dessous. Pour obtenir des services en vertu de la garantie, veuillez consulter notre Outil de recherche d'un Service après-vente agréé au <http://www.BRIGGSandSTRATTON.COM> afin de trouver un distributeur de service après-vente agréé dans votre région.

IL N'EXISTE AUCUNE AUTRE GARANTIE EXPRESSE. LES GARANTIES IMPLICITES, INCLUANT CELLES DE QUALITÉ MARCHANDE ET D'ADAPTATION À UN USAGE PARTICULIER, SONT LIMITÉES À UNE PÉRIODE D'UN AN À PARTIR DE LA DATE D'ACHAT OU JUSQU'À LA LIMITE PERMISE PAR LA LOI, TOUTE GARANTIE IMPLICITE EST EXCLUE. LA RESPONSABILITÉ POUR DOMMAGES ACCESSOIRES OU INDIRECTS EST EXCLUE DANS LA MESURE OÙ UNE TELLE EXCLUSION EST PERMISE PAR LA LOI. Certains États/provinces ou pays n'autorisent aucune restriction sur la durée d'une garantie implicite, et certains États/provinces ou pays n'autorisent pas l'exclusion ou la limitation des dommages consécutifs ou indirects. Par conséquent, les restrictions et exclusions décrites ci-dessus pourraient ne pas s'appliquer dans votre cas. La présente garantie vous accorde certains droits légaux spécifiques et vous pourriez également en avoir d'autres, qui peuvent varier d'un État ou d'une province à l'autre et d'un pays à l'autre.

### PÉRIODE DE GARANTIE

<b>Usage par un consommateur</b>	<b>1 an</b>
<b>Usage à des fins commerciales</b>	<b>90 jours</b>

La période de garantie débute à la date d'achat par le premier acheteur au détail ou par le premier utilisateur commercial final, et se prolonge pour la durée stipulée ci-dessus. " Usage par un consommateur " signifie utilisation domestique personnelle dans une résidence, par l'acheteur au détail. " Usage à des fins commerciales " signifie toute autre utilisation, y compris à des fins commerciales, de génération de revenus ou de location. Aux fins de la présente garantie, dès qu'un équipement a été utilisé commercialement une fois, il est par la suite considéré comme étant d'usage à des fins commerciales.

POUR EXERCER LA GARANTIE SUR TOUT PRODUIT FABRIQUÉ PAR BRIGGS & STRATTON, IL N'EST PAS NÉCESSAIRE DE L'ENREGISTRER. CONSERVEZ LE REÇU COMME PREUVE D'ACHAT. SI, LORS D'UNE RÉCLAMATION DE GARANTIE, VOUS NE POUVEZ PROUVER LA DATE INITIALE DE L'ACHAT, NOUS UTILISERONS LA DATE DE FABRICATION DU PRODUIT COMME DATE DE RÉFÉRENCE POUR DÉTERMINER LA PÉRIODE DE GARANTIE.

### À PROPOS DE LA GARANTIE

Nous acceptons de faire effectuer les réparations couvertes par la garantie et tenons à nous excuser pour tout inconfort subi. Tout agent d'un service après-vente agréé peut exécuter les réparations couvertes par la garantie. La plupart des réparations couvertes par la garantie sont traitées automatiquement; cependant, il arrive parfois que les demandes de service en vertu de la garantie soient non fondées. Par exemple, la garantie ne couvre pas les dommages causés à l'équipement par une utilisation abusive, par un manque d'entretien périodique, durant l'expédition, la manutention ou l'entreposage, ou en raison d'une installation inadéquate. De même, la garantie sera annulée si la date de fabrication ou le numéro de série apposé à la nettoyeur à pression ou au moteur a été enlevé ou si l'équipement a été changé ou modifié. Durant la période de garantie, le distributeur de service après-vente agréé réparera ou remplacera, à son gré, toute pièce qui, après examen, est trouvée défectueuse à la suite d'une utilisation et d'un entretien normaux. La présente garantie ne couvre pas les réparations et les équipements suivants:

- **Usure normale:** Comme tout autre dispositif mécanique, les groupes électrogènes d'extérieur nécessitent l'entretien périodique de certaines pièces pour fonctionner adéquatement. La présente garantie ne couvre pas les frais de réparation des pièces ou des équipements dont la durée de vie utile a été dépassée à la suite d'une utilisation normale.
- **Installation et entretien:** La présente garantie ne couvre pas les équipements ou les pièces qui ont fait l'objet d'une installation ou de modifications et de changements inadéquats ou non autorisés, d'une mauvaise utilisation, de négligence, d'un accident, d'une surcharge, d'emballement, d'entretien inadéquat, de réparation ou d'entreposage qui, selon nous, auraient nui à la performance et à la fiabilité du produit. De plus, la garantie ne couvre pas l'entretien normal tel que les filtres à air, le réglage, le nettoyage du circuit d'alimentation et son obstruction (causée par l'accumulation de produits chimiques, de saletés, de calamine, de calcaire, et ainsi de suite).
- **Exclusions supplémentaires:** La présente garantie exclut les pièces qui s'usent tels que les raccords rapides, les joints d'étanchéité, les joints toriques, les pompes ayant fonctionné sans alimentation en eau ou tout dommage ou tout mauvais fonctionnement résultant d'un accident, d'une utilisation abusive, de modifications, de changements ou d'un entretien inadéquat du système, du gel ou d'une détérioration chimique. La garantie du produit ne couvre pas les pièces accessoires telles que les pistolets, les boyaux, les (rallonge du gicleur) lances et les buses. Cette garantie exclut tout équipement usé, remis à neuf ou de démonstration et toute défaillance due à une catastrophe naturelle ou à toute autre force majeure hors du contrôle du fabricant. 198187F, Rev. C, 12/31/2006

**BRIGGS & STRATTON POWER PRODUCTS GROUP, LLC**  
**JEFFERSON, WI, USA**

Français

fr



## Nettoyeur à pression

### Caractéristiques du produit

Pression nominale	137,9 BARS (2,000 PSI)
Débit d'écoulement	7,2 litres/min (1,9 GPM)
Température de l'eau	38°C (100°F) MAX
Cylindrée	158 cc (9.64 cu. in.)
Écartement des électrodes	0,76 mm (0,030 in.)
Volume du réservoir	0,95 Litres (1,0 Qt.)
Capacité du carter d'huile	0,6 Litres (20 Onces)

### Pièces d'entretien courant

PumpSaver	.6039
Entretien du joint torique	.6048
Crépine d'entrée d'eau	.B2384GS
Filtre à air	.698369 ou 5088
Bougie antiparasite	.802592 ou 5095
Bougie d'allumage de platine de longue durée	.5062
Bouteille d'huile à moteur	.100005
Stabilisateur d'essence	.5041
Pare-étincelles	.398067

**Puissance nominale:** Les étiquettes de puissance nominale brute des modèles de moteur à essence sont conformes au code SAE (Society of Automotive Engineers) J1940 (Small Engine Power & Torque Rating Procedure) et la performance nominale a été obtenue et corrigée selon le code SAE J1995 (Révision 2002-05). La puissance brute réelle du moteur sera inférieure et influencée entre autres par les conditions ambiantes de fonctionnement et la variabilité d'un moteur à l'autre. Étant donné la vaste gamme de produits sur lesquels les moteurs sont installés, ainsi que la variété de problèmes environnementaux reliés au fonctionnement de l'équipement, le moteur à essence ne développe pas la puissance nominale brute lorsqu'il est utilisé pour entraîner un appareil donné (puissance d'utilisation nette « sur le site » ou réelle). La différence peut être liée à divers facteurs incluant, sans s'y limiter, aux accessoires (filtre à air, échappement, recharge, refroidissement, carburateur, pompe à carburant, etc.), limites des applications, conditions ambiantes de fonctionnement (température, humidité, altitude) et la variabilité d'un moteur à l'autre. En raison des limites de fabrication et de capacités, Briggs & Stratton peut remplacer les moteurs de cette série par un moteur d'une plus grande puissance nominale.

Les caractéristiques nominales de ce nettoyeur à haute pression sont conformes à la norme PW101 de la Pressure Washer Manufacturer's Association (PWMA) (Tests et performance nominale des nettoyeurs à haute pression).

**Briggs & Stratton Power Products Group, LLC**  
900 N. Parkway  
Jefferson, Wisconsin, 53549 U.S.A.